

[54] CONTAINER OPENER

[76] Inventors: Dean J. Madsen, 3626 San Remo Dr., Santa Barbara, Calif. 93105; Robert G. Madsen, 6801 Lawn Haven, Huntington Beach, Calif. 92648; Gordon W. Nichols, 4382 Pearl Ct., Cypress, Calif. 90630

[**] Term: 14 Years

[21] Appl. No.: 764,098

[22] Filed: Aug. 9, 1985

[52] U.S. Cl. D8/18

[58] Field of Search D8/18, 33, 34, 40, 43, D8/DIG. 6, DIG. 7; 81/3.55, 3.07

[56]

References Cited

U.S. PATENT DOCUMENTS

D. 245,393	8/1977	Madsen et al.	D8/18
D. 252,849	9/1979	Weiss	D8/18
D. 254,834	4/1980	Madsen et al.	D8/18
55,878	6/1866	Livermore	81/3.57
941,865	11/1909	Forsyth et al.	81/3.55

Primary Examiner—Bernard Ansher
Assistant Examiner—Terry Pfeffer
Attorney, Agent, or Firm—Gausewitz, Carr & Rothenberg

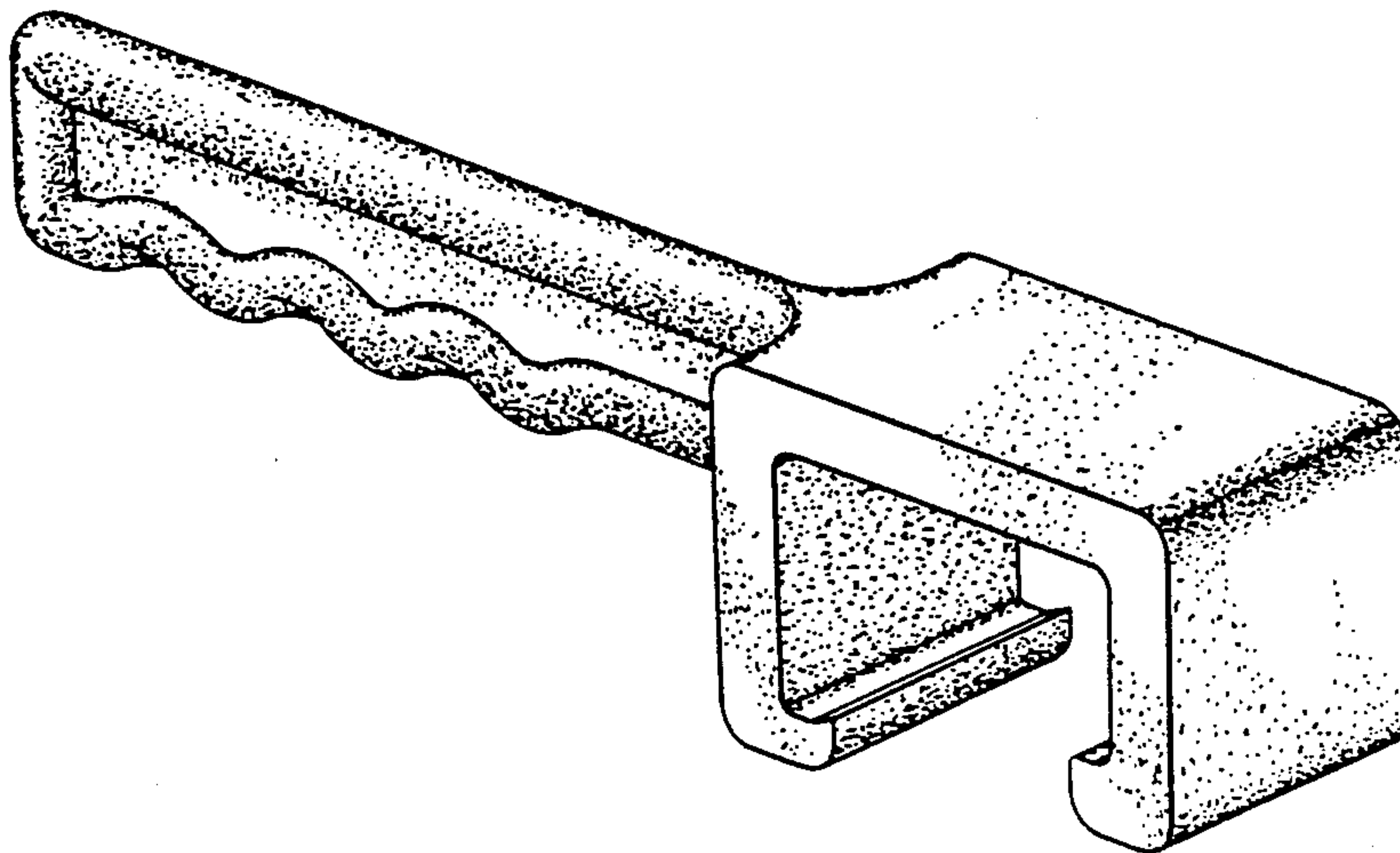
[57]

CLAIM

The ornamental design for a container opener, substantially as shown and described.

DESCRIPTION

FIG. 1 is a perspective view of a container opener showing our new design;
FIG. 2 is a side elevational view thereof;
FIG. 3 is a bottom plan view thereof; and
FIG. 4 is an end elevational view thereof.



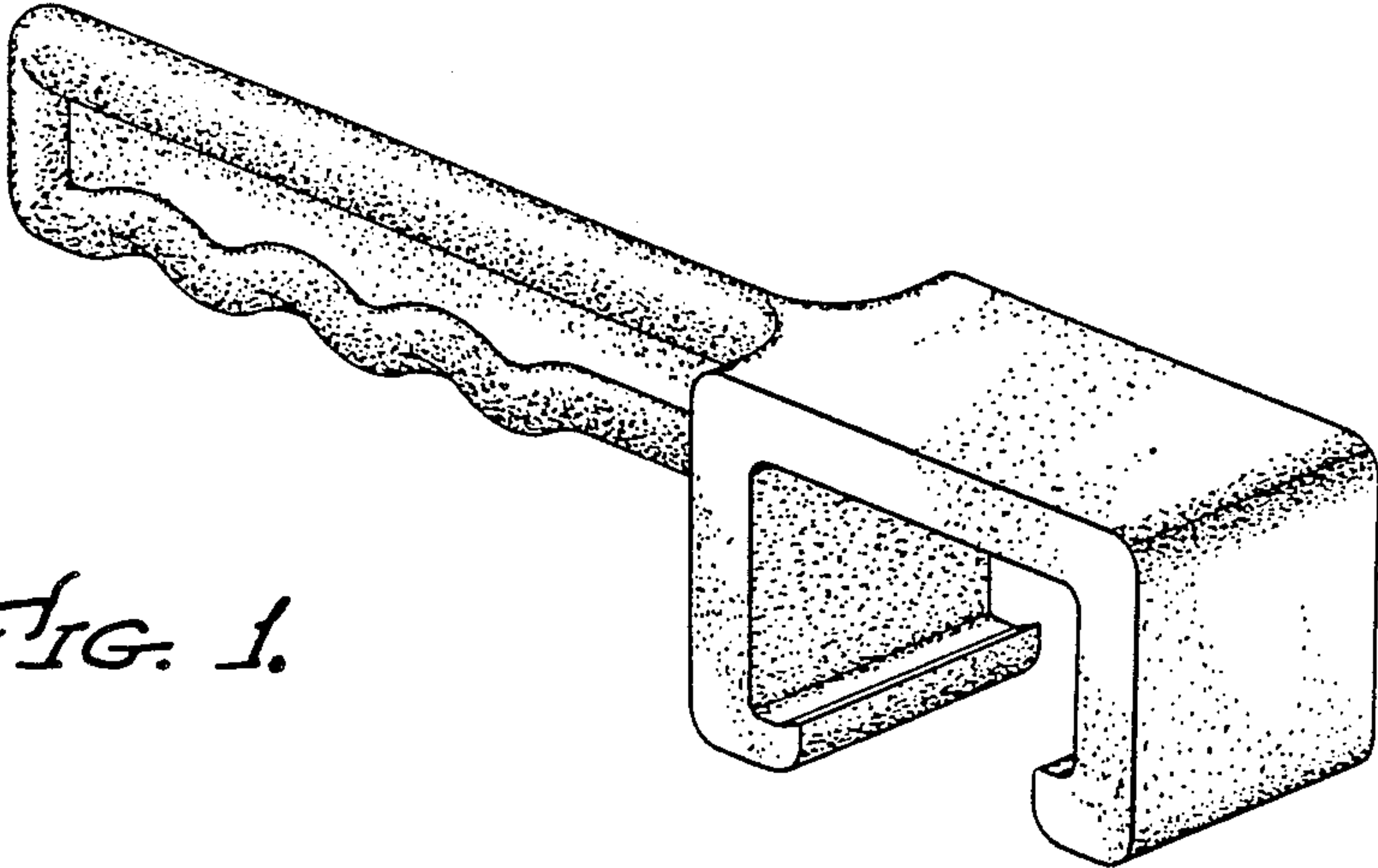


FIG. 1.

FIG. 2.

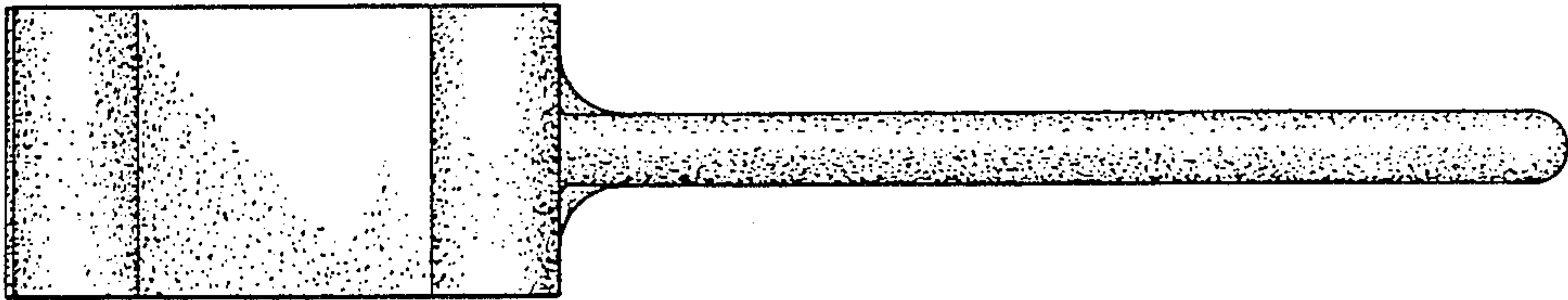
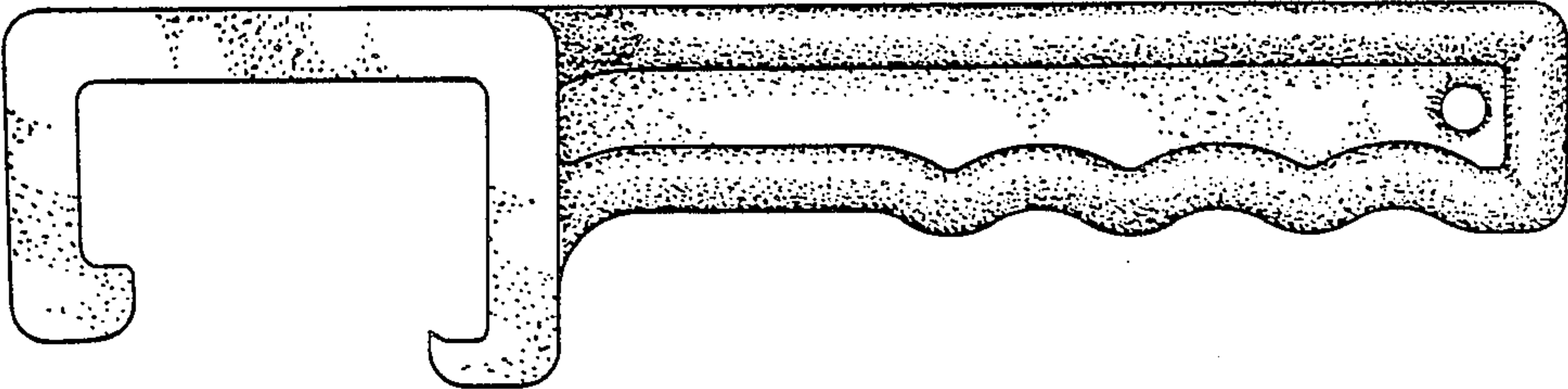


FIG. 3.

FIG. 4.

