

[54] FEED SCOOP

[75] Inventor: John M. Fuller, Winchester, Va.

[73] Assignee: Rubbermaid Commercial Products, Inc., Winchester, Va.

[**] Term: 14 Years

[21] Appl. No.: 800,946

[22] Filed: Nov. 22, 1985

[52] U.S. Cl. D7/104

[58] Field of Search D7/99, 104; 53/258, 53/390, 261; 141/108; 294/55, 51

[56] References Cited

U.S. PATENT DOCUMENTS

237,387 2/1881 Kerfoot 294/55

FOREIGN PATENT DOCUMENTS

804459 4/1951 Fed. Rep. of Germany .

OTHER PUBLICATIONS

"Bouncer Scoop" sales sheet, Published by Rubbermaid Commercial Products, Inc., Winchester, Va., 1979.

"Wilcox All-Pro", Wilcox All-Pro Tool & Supply, Montezuma, Iowa 50171, date unknown.

"Scale Scoop", Delphi Products Co., P. O. Box 256, Delphi, Ind. 46923, date unknown.

"We've Got the Scoop", Littlestown Hardware & Foundry Co., Inc., P. O. Box 69, Littlestown, Pa. 17340, date unknown.

"Best of All", Beacon Steel Products, P. O. Box 600, Westminster, Md. 21157, date unknown.

"Miscellaneous" Val-A Co., 700 W. Root St., Chicago, Ill. 60009.

Primary Examiner—Bernard Ansher

Assistant Examiner—Terry Pfeffer

Attorney, Agent, or Firm—Richard B. O'Planick

[57] CLAIM

The ornamental design for a feed scoop, as shown and described.

DESCRIPTION

FIG. 1 is a front perspective view of a feed scoop showing my new design.

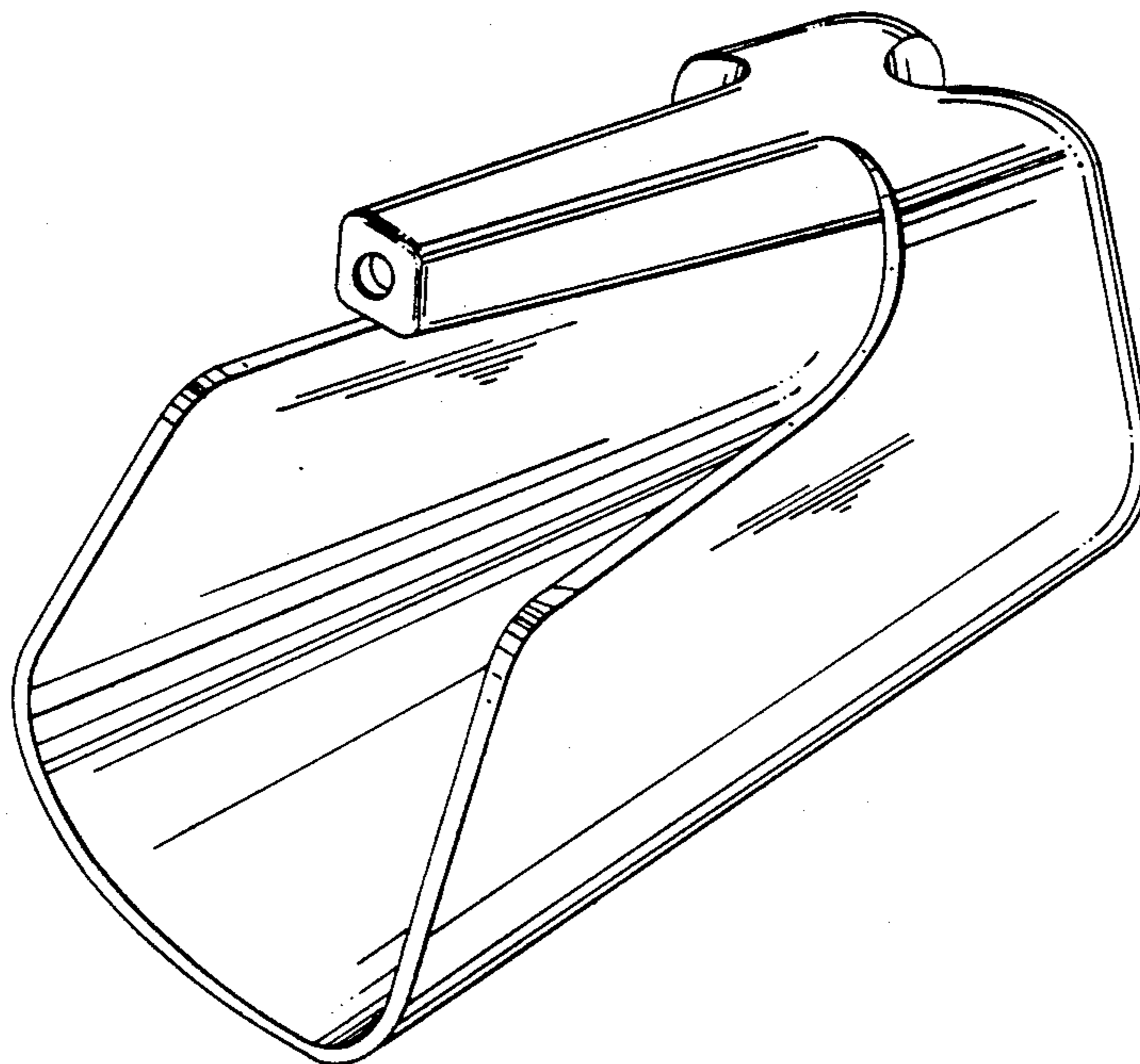
FIG. 2 is a top plan view thereof.

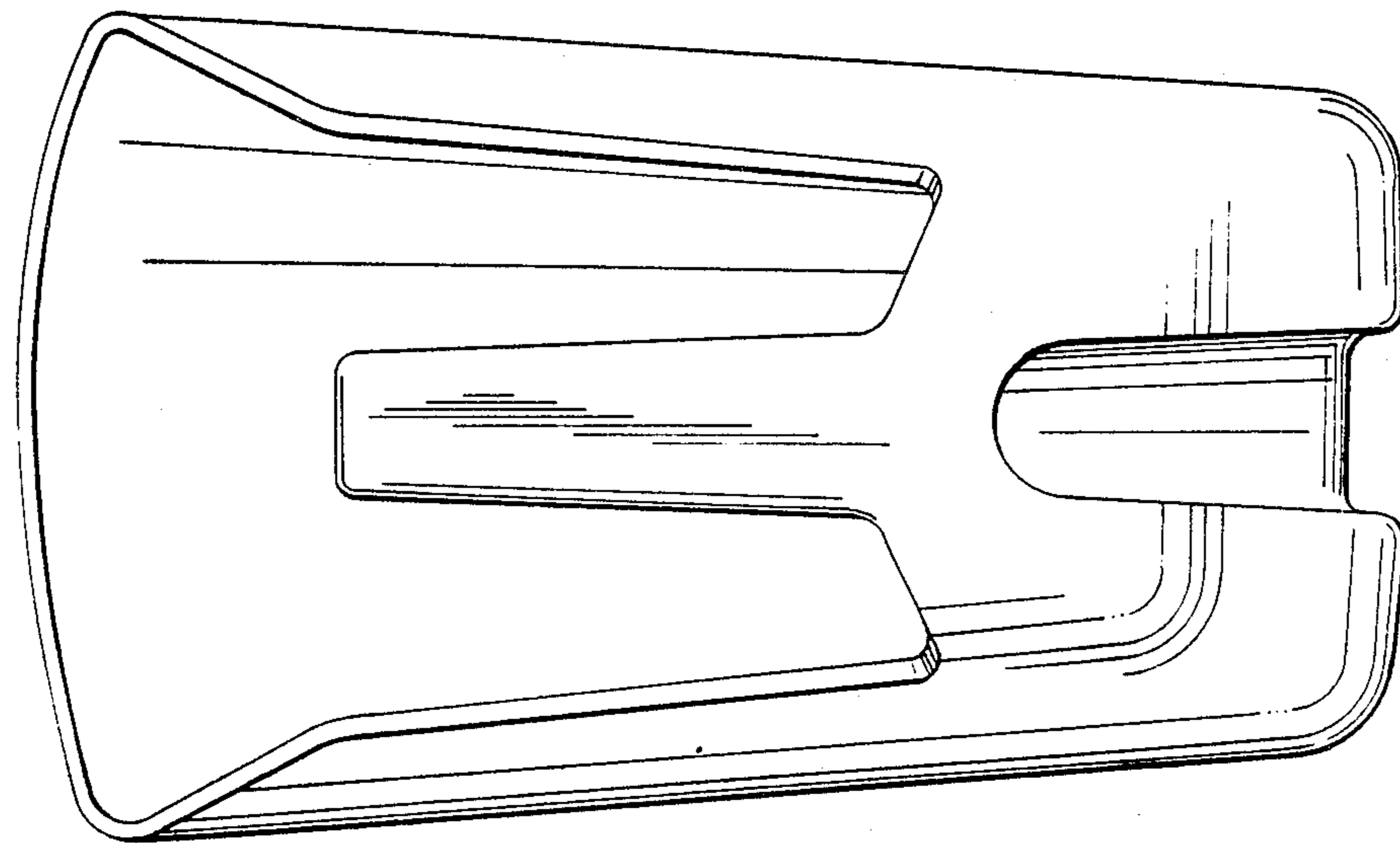
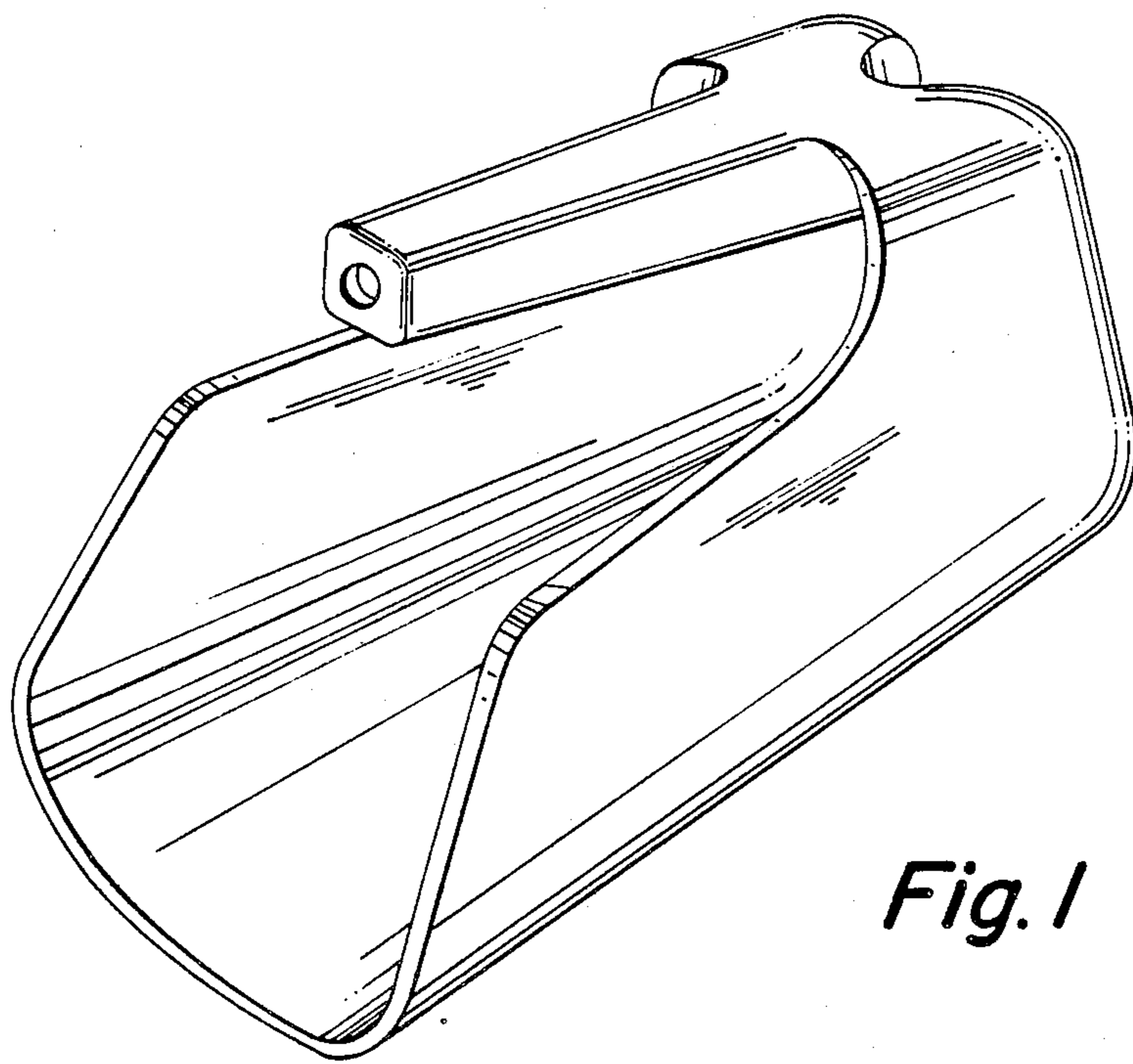
FIG. 3 is a side elevation view thereof. The side opposite to that depicted in FIG. 3 is identical in appearance.

FIG. 4 is a front elevational view thereof.

FIG. 5 is a rear elevational view thereof.

FIG. 6 is a bottom plan view thereof.





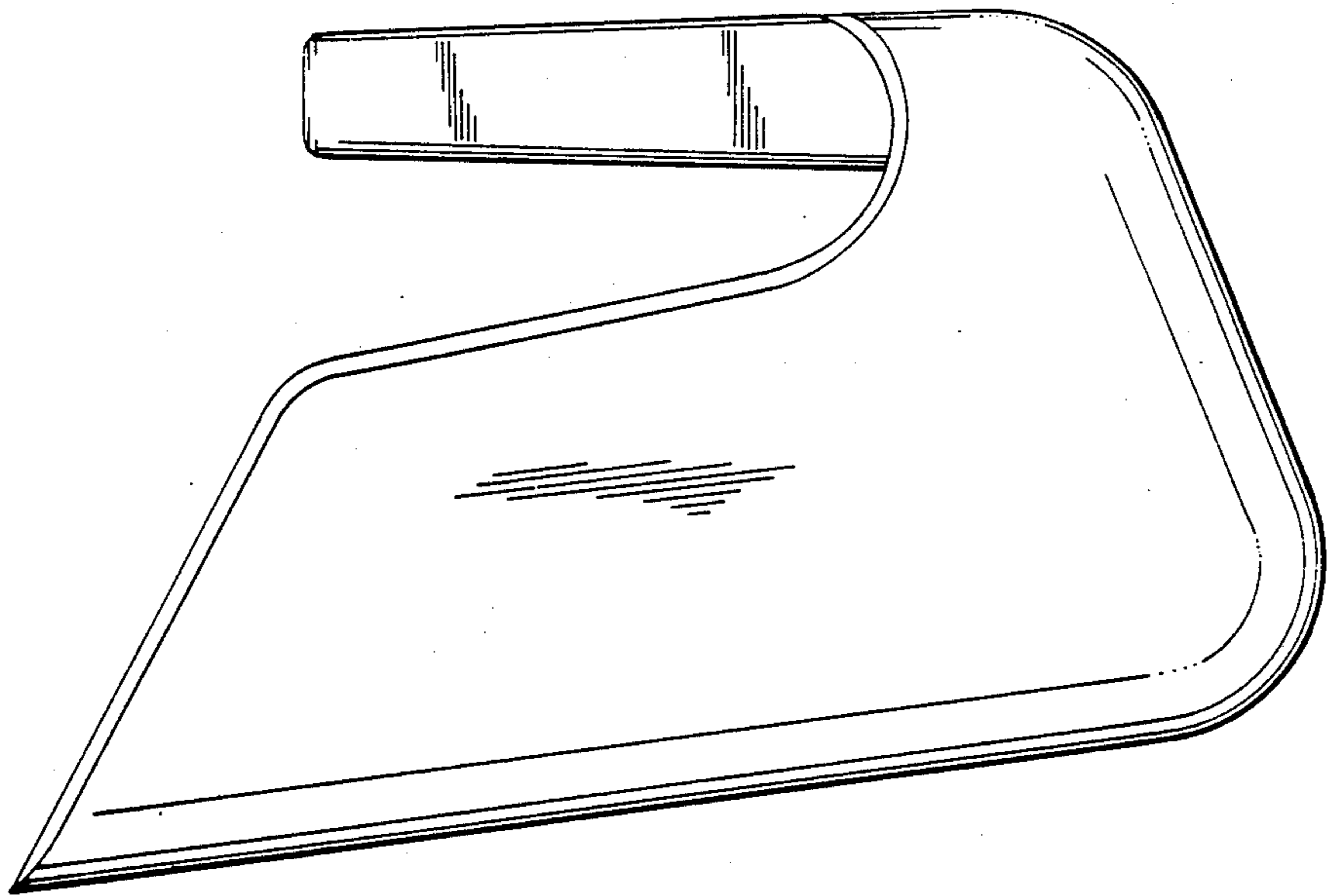


Fig. 3

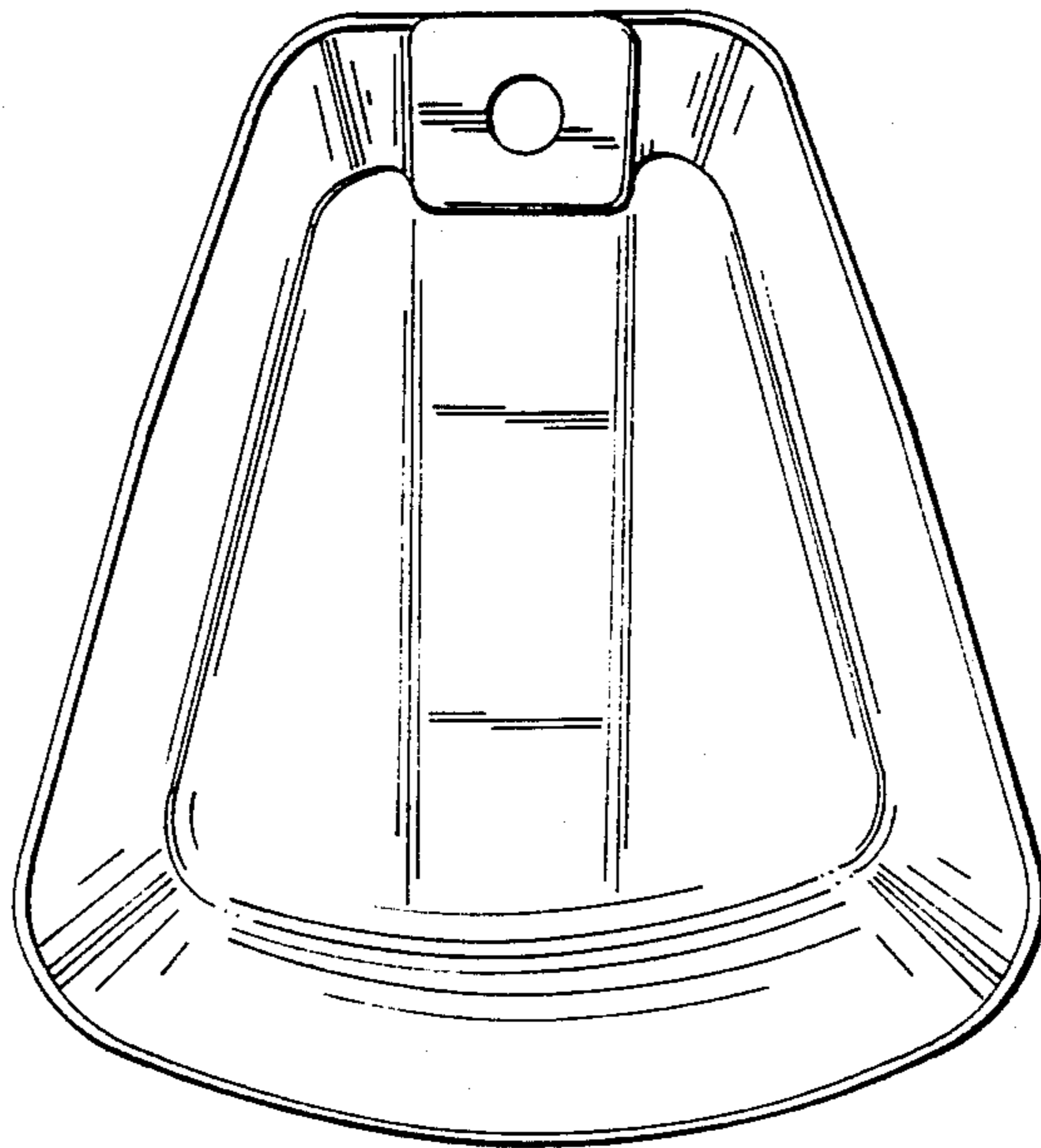


Fig. 4

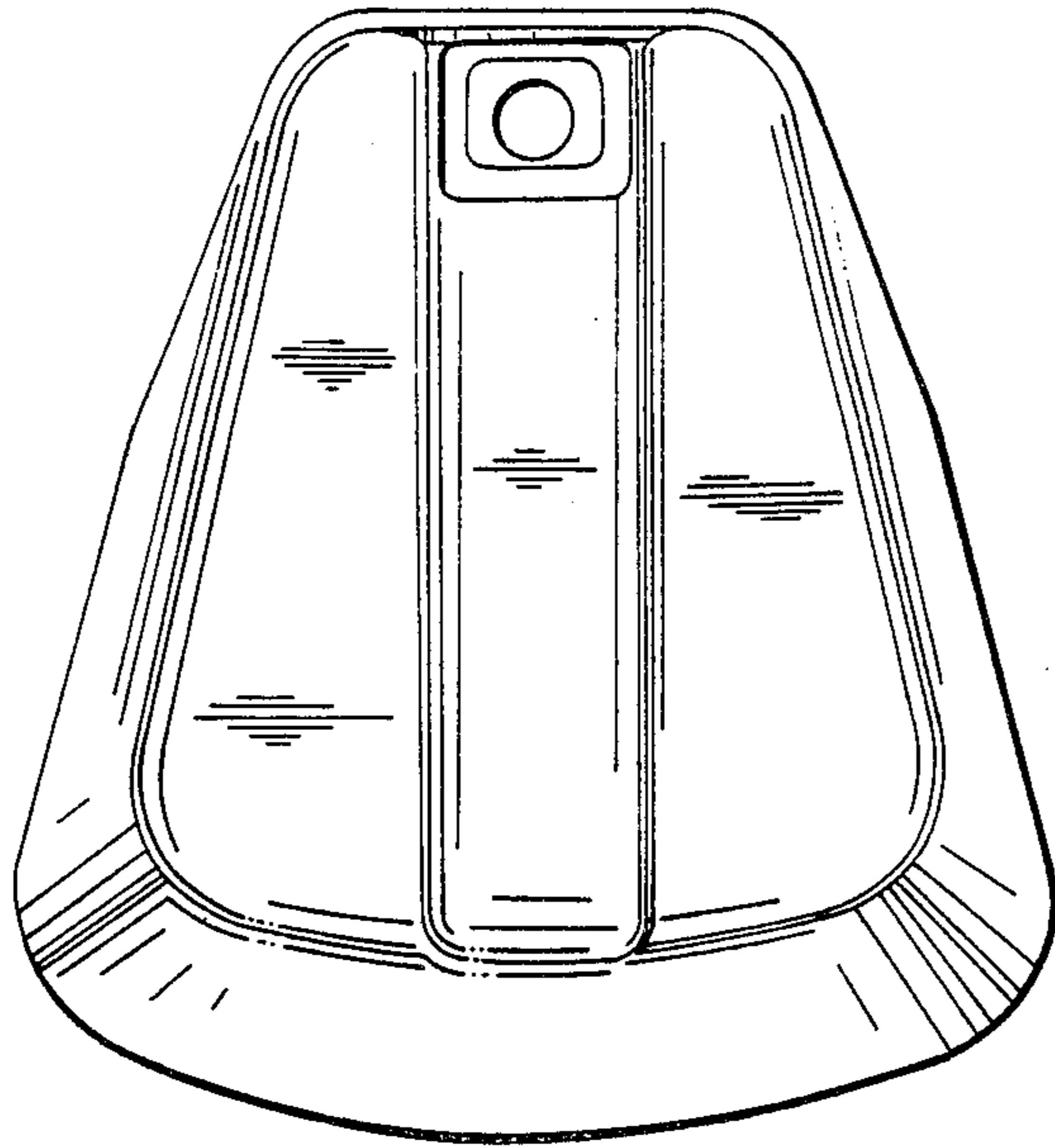


Fig. 5

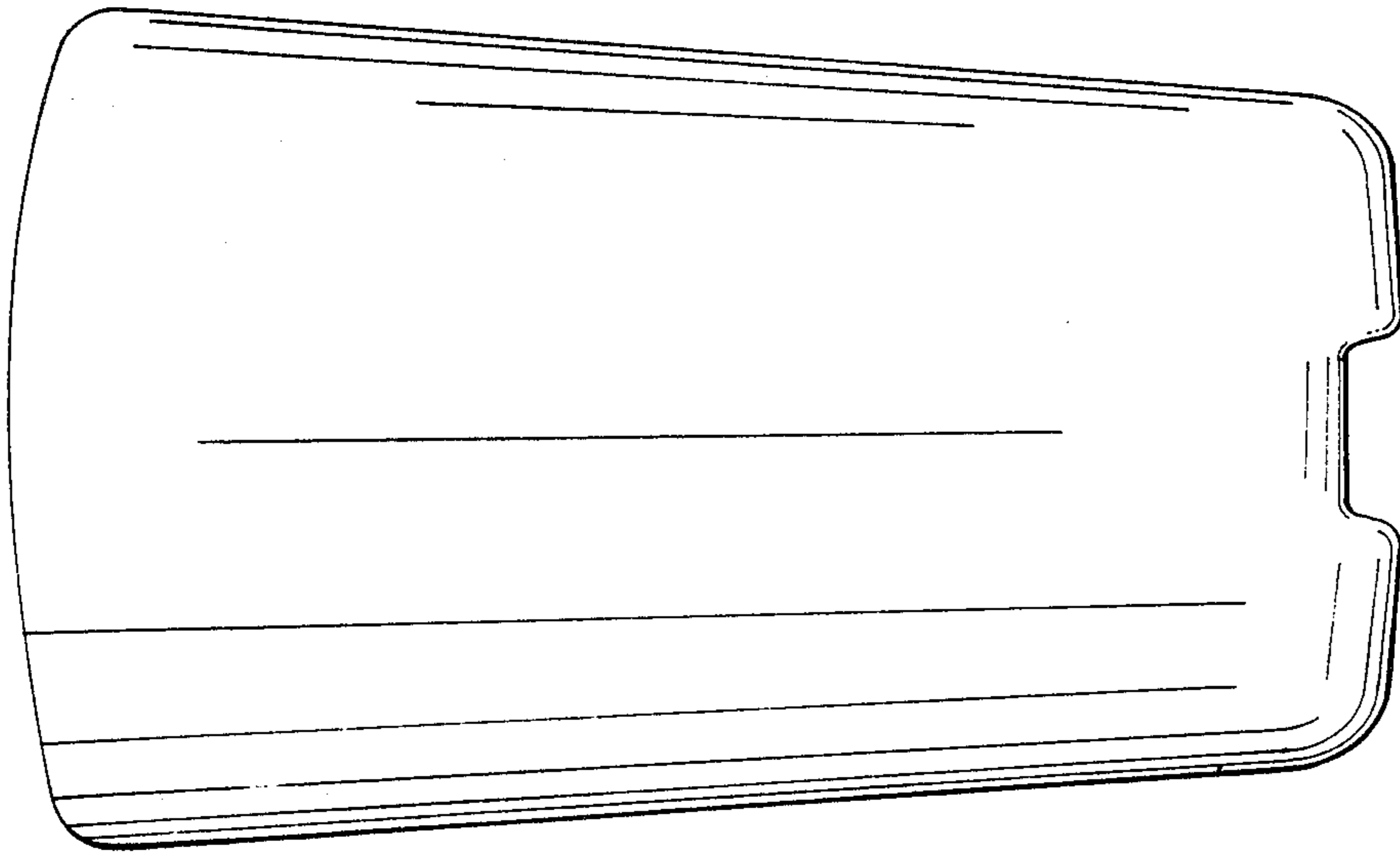


Fig. 6