

[54] **TABLE**

[75] **Inventor: Paul Epp, Scarborough, Canada**

[73] **Assignee: Ambient Woodworks Inc., Toronto, Canada**

[**] **Term: 14 Years**

[21] **Appl. No.: 741,067**

[22] **Filed: Jun. 4, 1985**

[30] **Foreign Application Priority Data**

May 2, 1985 [CA] Canada 02-05-85-2

[52] **U.S. Cl. D6/486; D6/487**

[58] **Field of Search D6/480, 481, 484, 486, D6/487**

[56] **References Cited**

PUBLICATIONS

Royalchrome catalog, ©1947, p. 27, table bottom left.
Interior's, May 1976, p. 24, table bottom center.

Arbitare Supplement, Jun. 1962, p. 33, table at left.

Primary Examiner—Bruce W. Dunkins
Attorney, Agent, or Firm—Rogers, Bereskin & Parr

[57] **CLAIM**

The ornamental design for a table, as shown and described.

DESCRIPTION

FIG. 1 is a perspective view from above of a table according to my new design;

FIG. 2 is a side view of the table shown in FIG. 1;

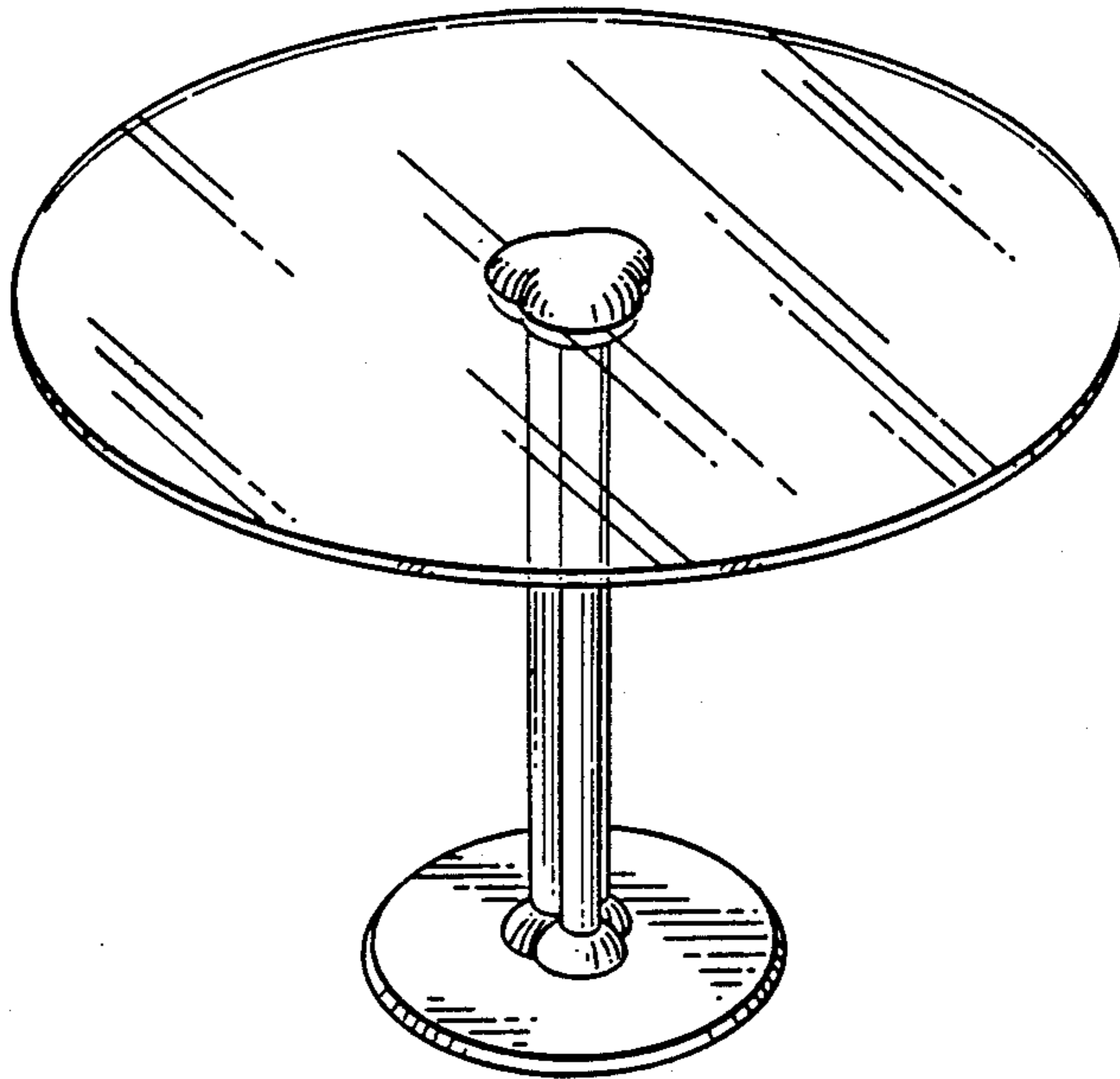
FIG. 3 is a perspective view from below of the table shown in FIG. 1;

FIG. 4 is a perspective view from above of a modified table according to my new design;

FIG. 5 is a perspective view from below of the table shown in FIG. 4;

FIG. 6 is a plan view from above of the table shown in FIG. 4; and,

FIG. 7 is a side view of the table shown in FIG. 4.



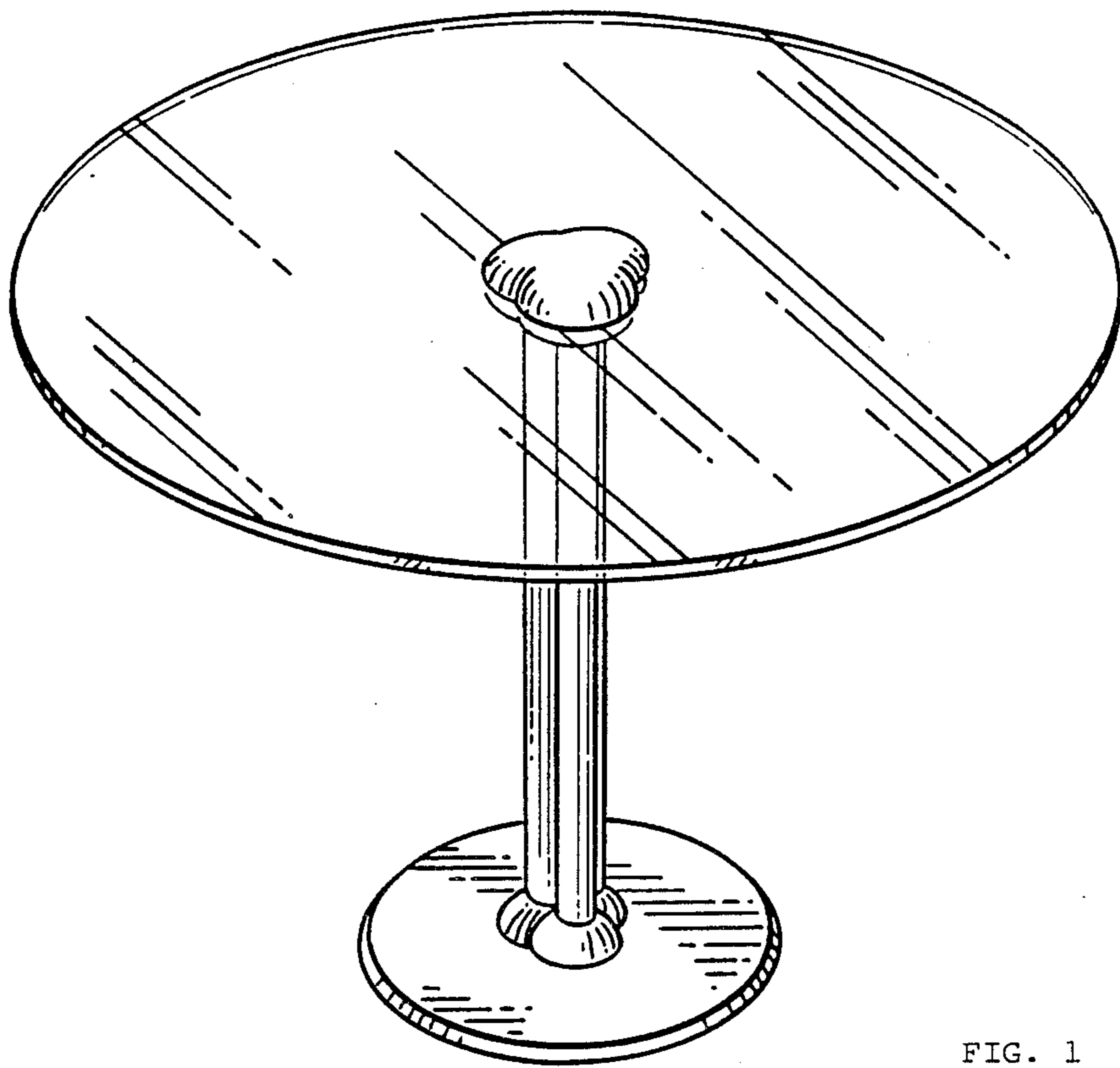


FIG. 1

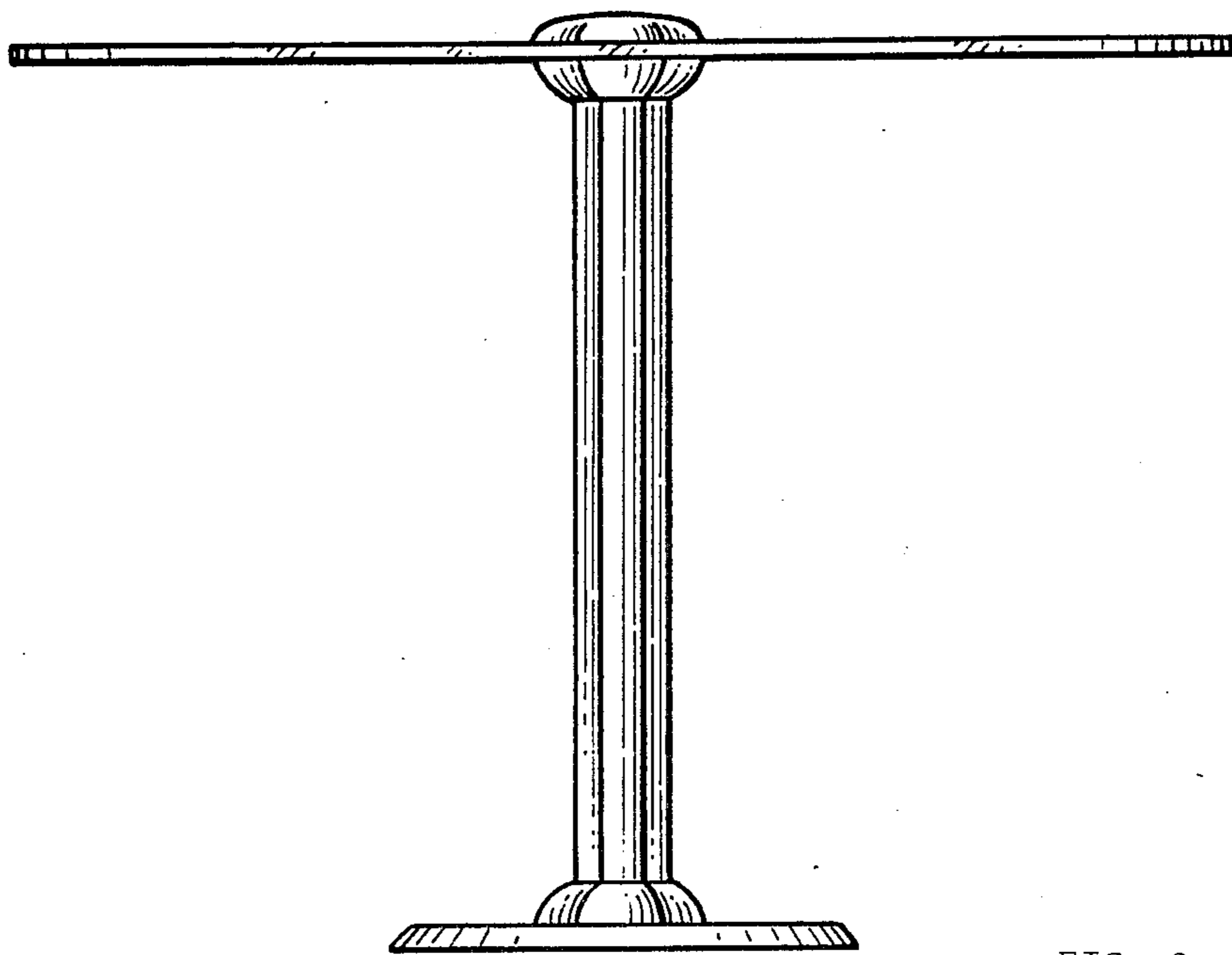


FIG. 2

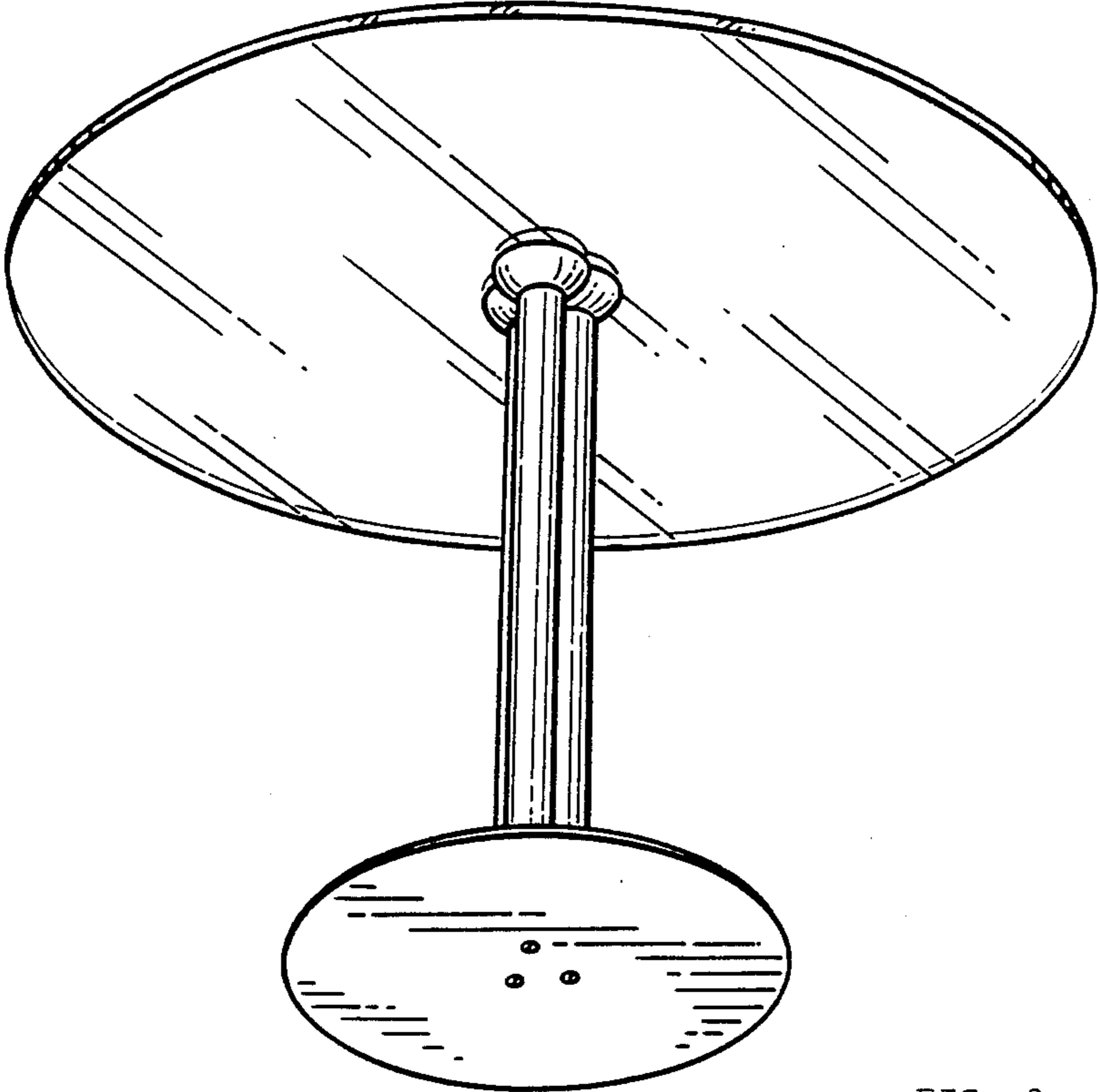


FIG. 3

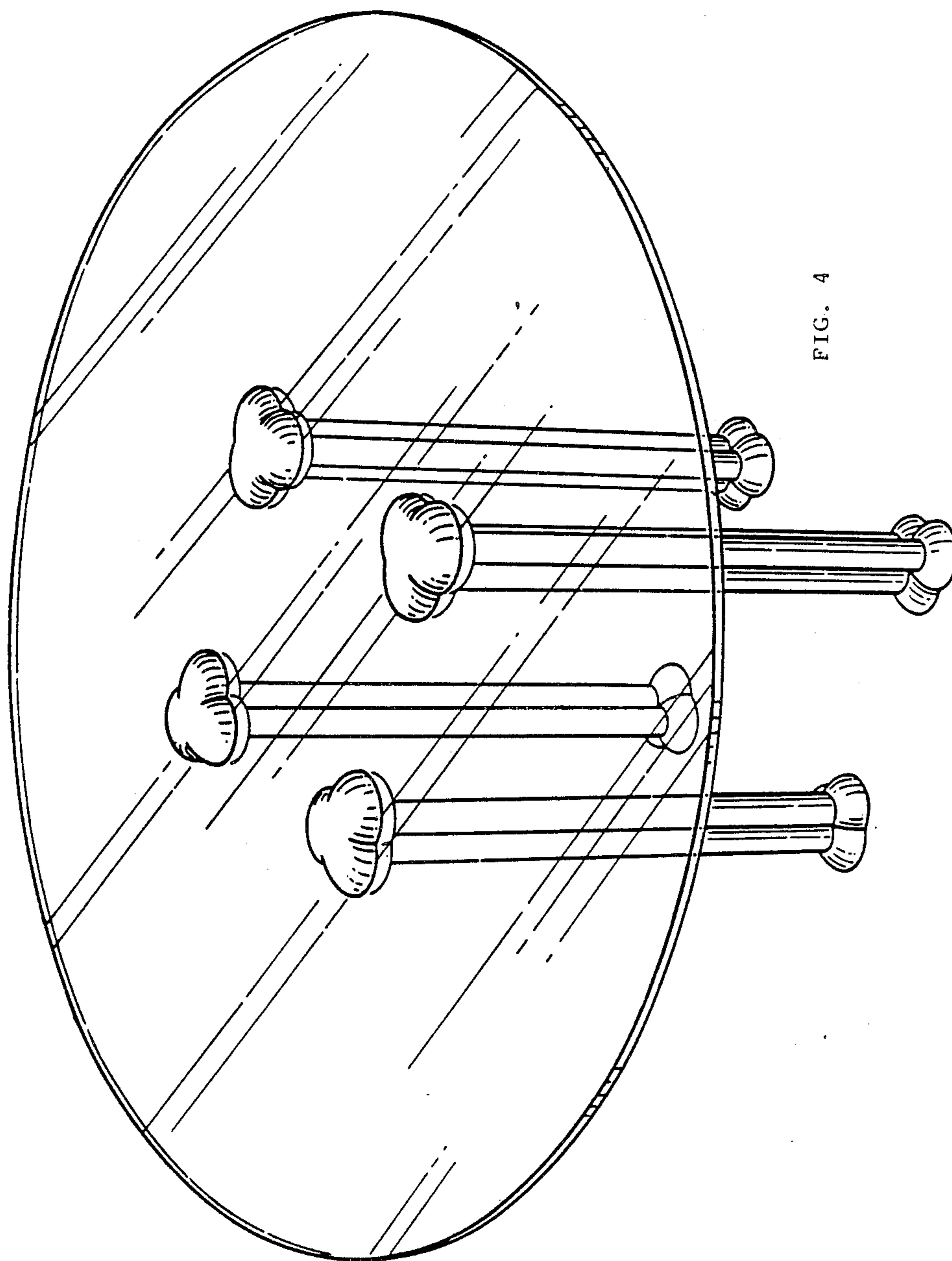


FIG. 4

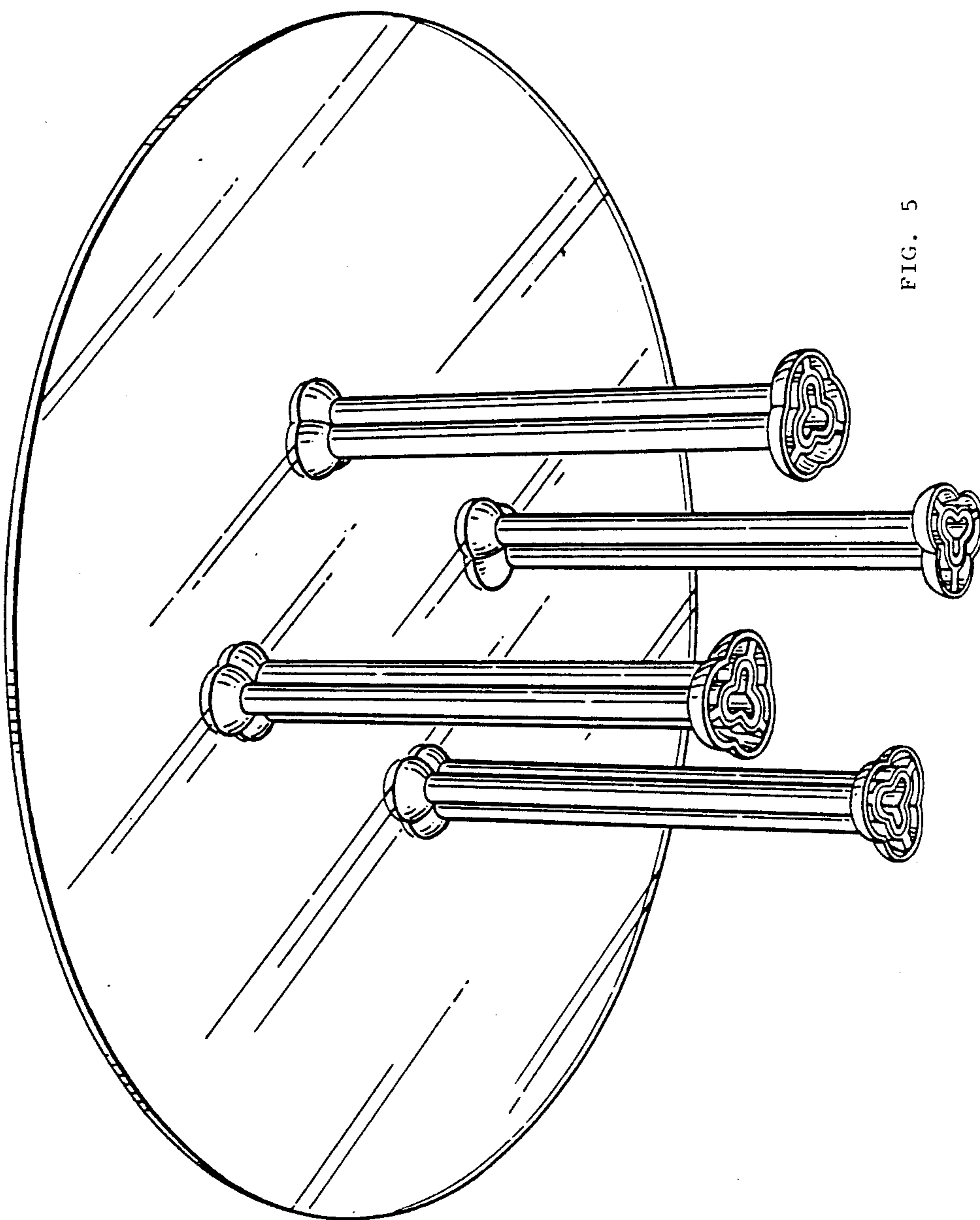


FIG. 5

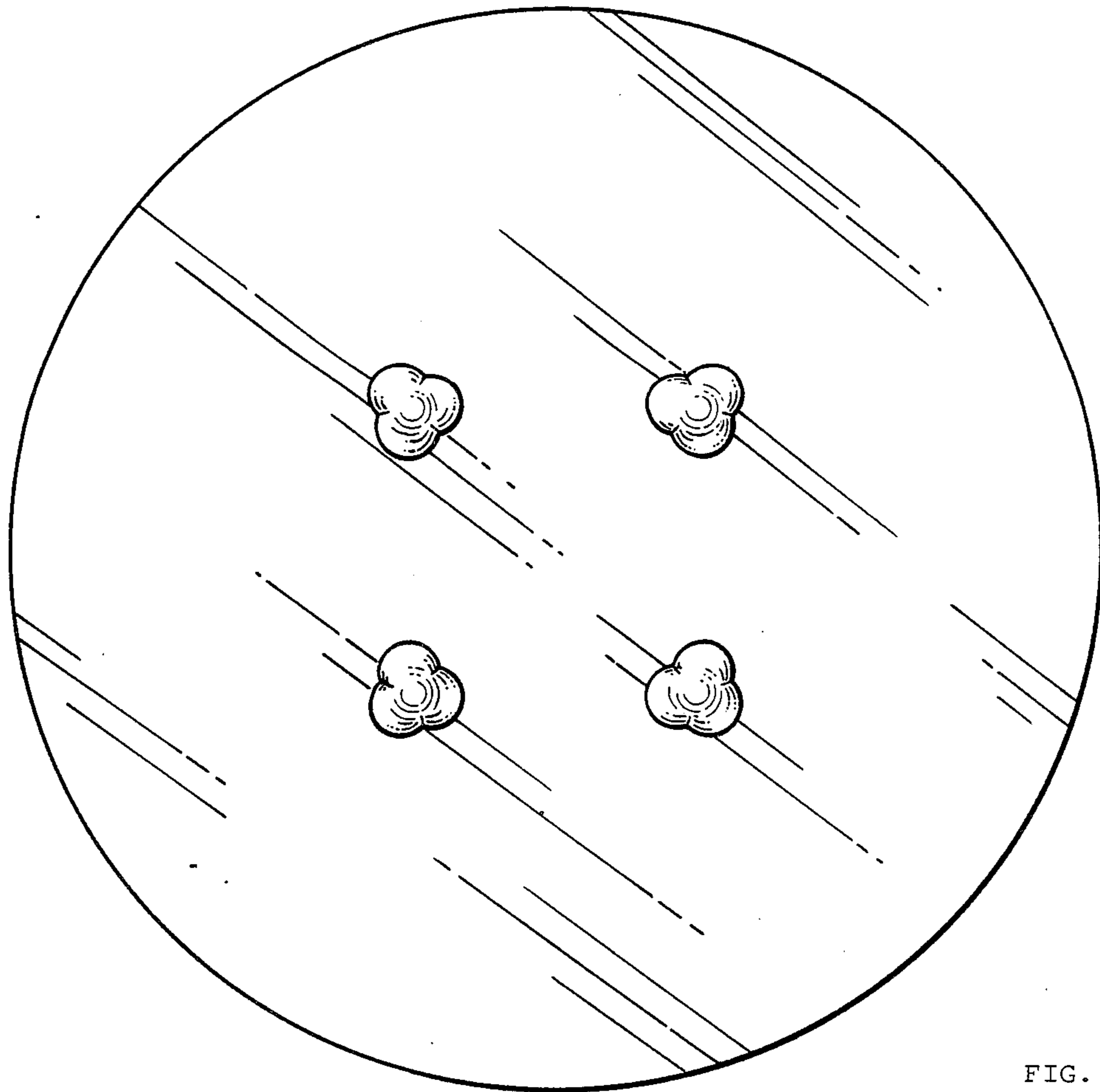


FIG. 6

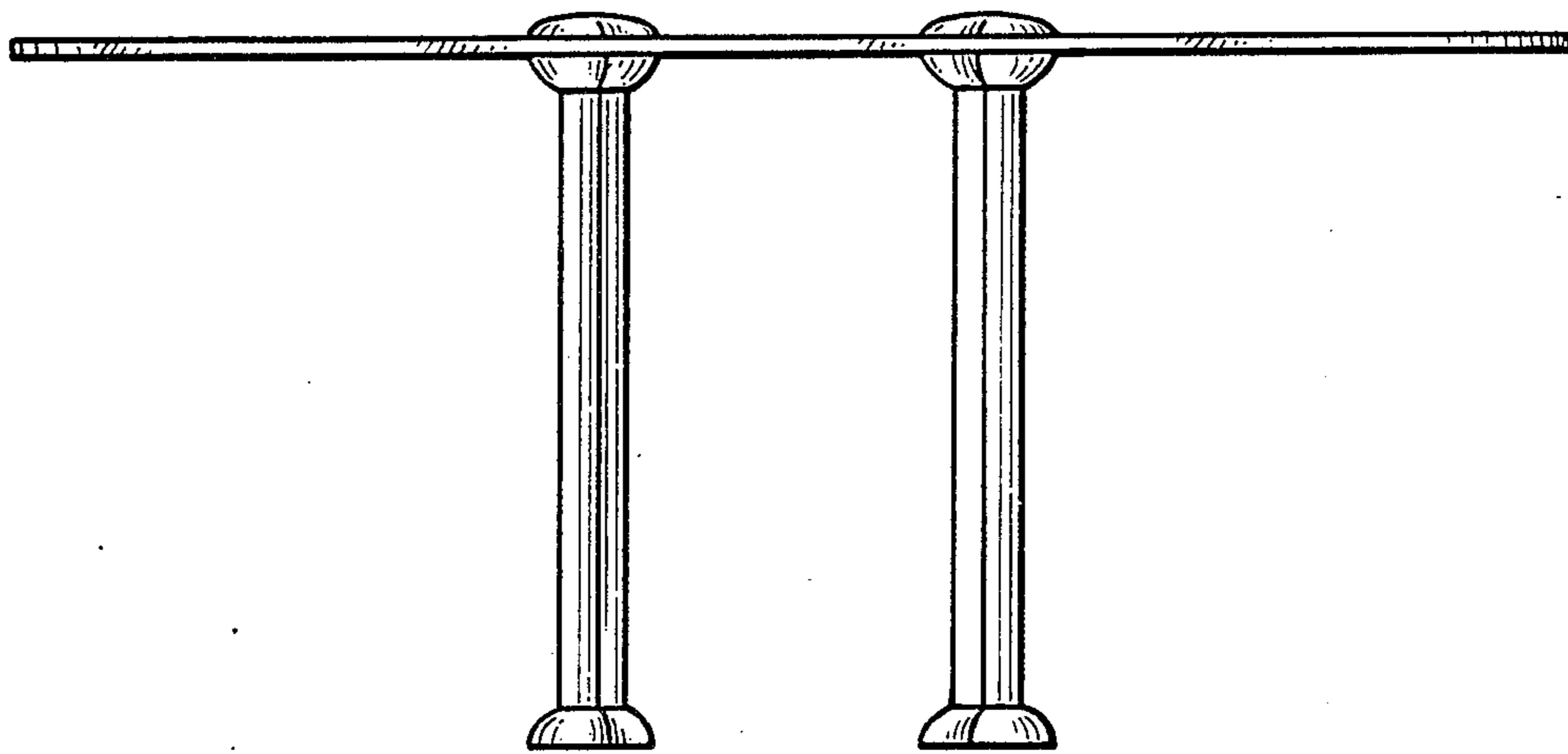


FIG. 7