

[54] **DISPLAY BIN**
[75] **Inventor: Derwyn Cugley, Brea, Calif.**
[73] **Assignee: VSI Fasteners, Inc., Stanton, Calif.**
[**] **Term: 14 Years**
[21] **Appl. No.: 773,324**
[22] **Filed: Sep. 6, 1985**
[52] **U.S. Cl. D6/476**
[58] **Field of Search D6/475, 476; 211/13,
211/126; D34/46**

D. 131,198 1/1942 Limpert et al. D6/476
D. 140,246 2/1945 Wemyss D6/476
D. 223,163 3/1972 Gray D6/475
D. 268,728 4/1983 Poling D34/46 X

Primary Examiner—Carmen H. Vales
Attorney, Agent, or Firm—Frederick Gotha

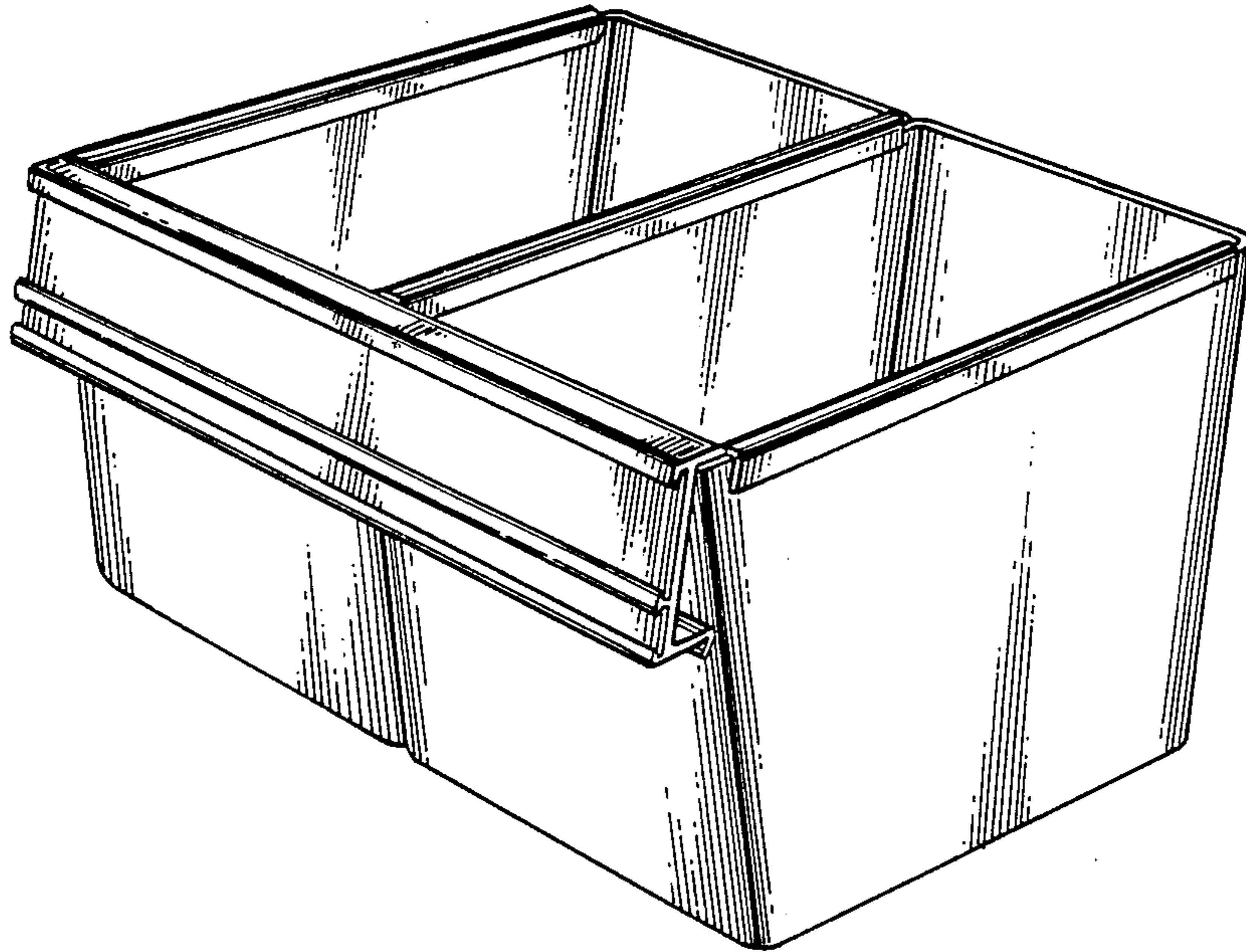
[57] **CLAIM**

The ornamental design for a display bin, substantially as shown and described.

DESCRIPTION

FIG. 1 is an exploded perspective view of a display bin showing my new design;
FIG. 2 is a perspective view thereof;
FIG. 3 is a rear elevational view thereof; and
FIG. 4 is a left side elevational view thereof.

[56] **References Cited**
U.S. PATENT DOCUMENTS
D. 67,868 7/1925 Boros D6/476
D. 103,719 3/1937 Flanagan D6/476 X



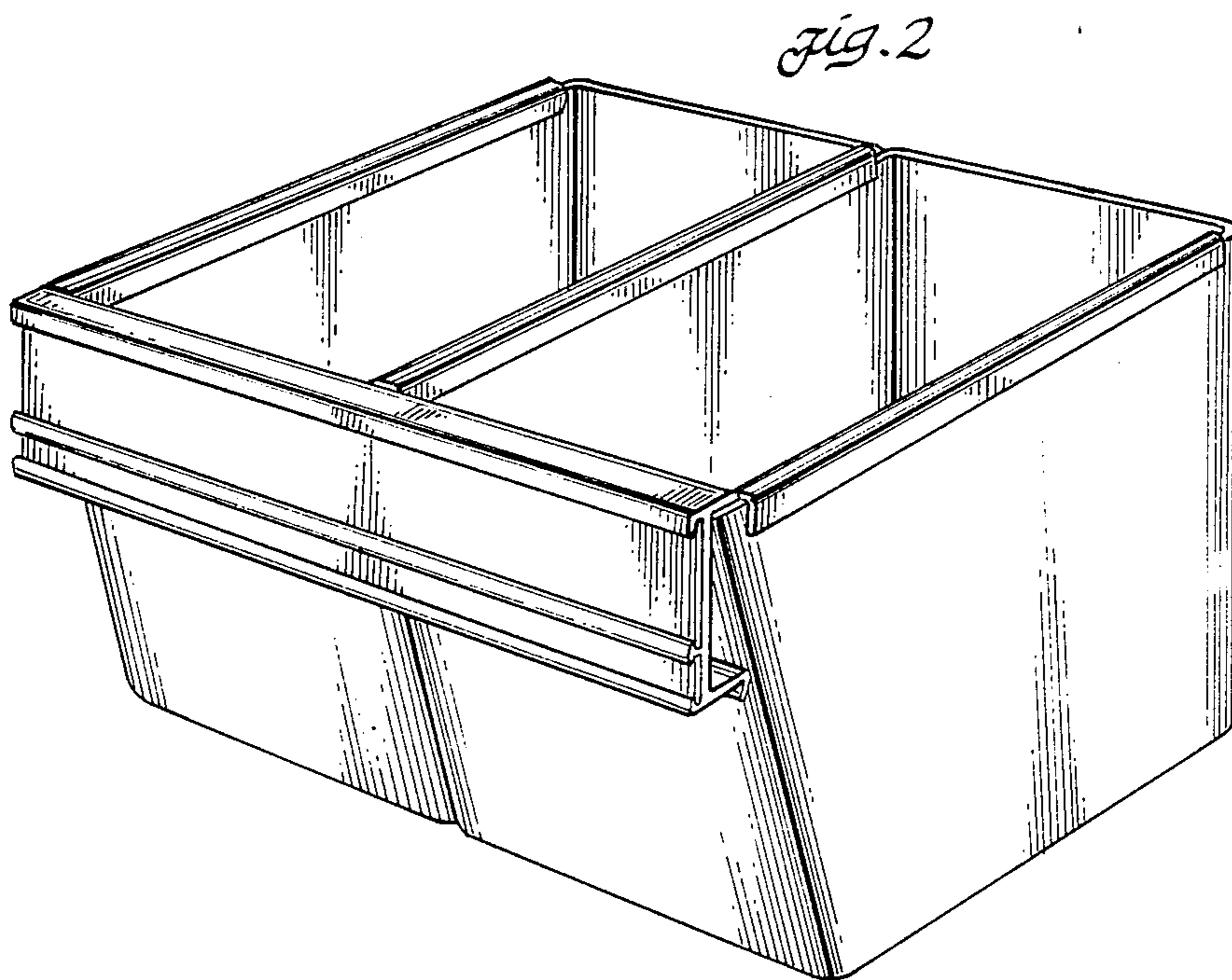
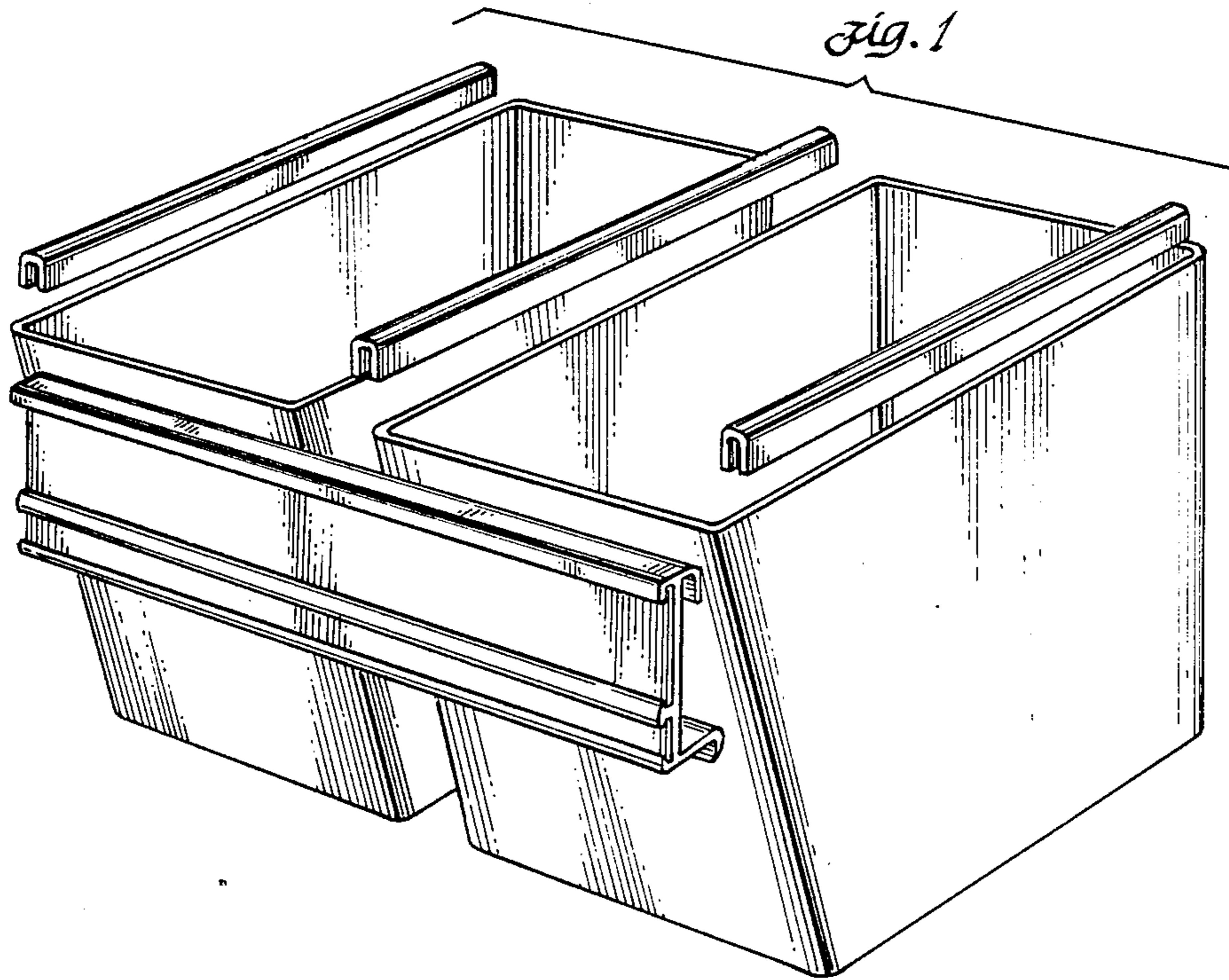


Fig. 3

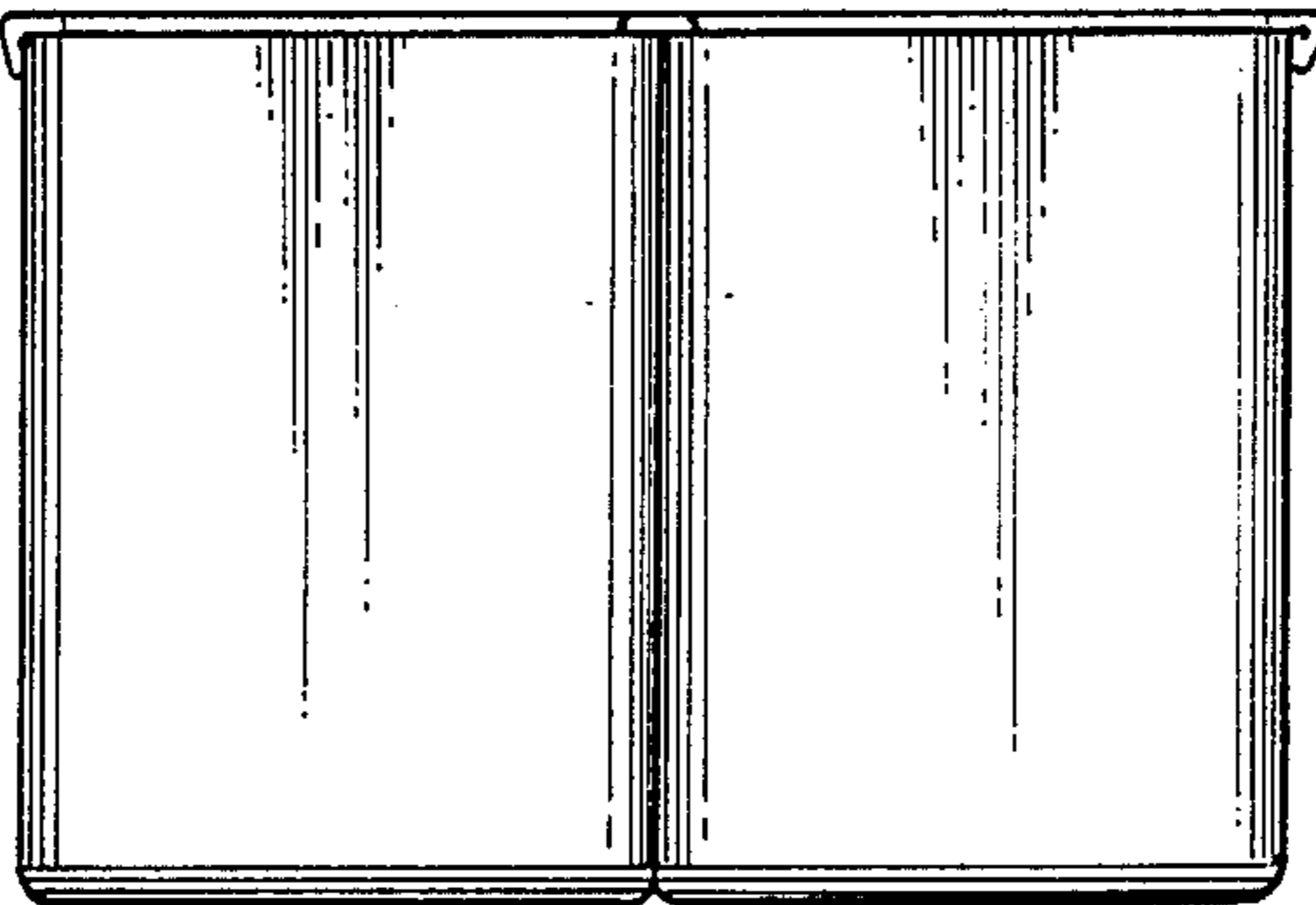


Fig. 4

