

[54] COMBINED FOLDABLE SEAT AND STORAGE CABINET THEREFOR

[76] Inventor: Luigi G. Tuzi, 5 Oldham Crescent, Brampton, Ontario, Canada, L6Z 1W2

[\*\*] Term: 14 Years

[21] Appl. No.: 845,757

[22] Filed: Mar. 24, 1986

[30] Foreign Application Priority Data

Oct. 28, 1985 [CA] Canada ..... 28-10-85-1  
[52] U.S. Cl. .... D6/336; D6/368  
[58] Field of Search ..... D6/334, 335, 336, 362, D6/374, 375, 379, 380, 555, 559, 367, 368; 297/18, 19

[56] References Cited  
U.S. PATENT DOCUMENTS

D. 174,785 5/1955 Tompkins ..... D6/555  
D. 183,549 9/1958 Wells et al. .... D6/480  
D. 223,195 3/1972 Young ..... D6/368 X  
D. 225,795 1/1973 De Carlo ..... D6/368  
D. 244,072 4/1977 Schaecher ..... D6/555  
D. 247,728 4/1978 Nichols ..... D6/559  
D. 249,305 9/1978 Henninger ..... D6/336  
D. 261,834 11/1981 Stebbins ..... D6/336  
D. 271,731 12/1983 Chamberlin et al. .... D6/362  
D. 282,028 1/1986 Kennedy ..... D6/362 X

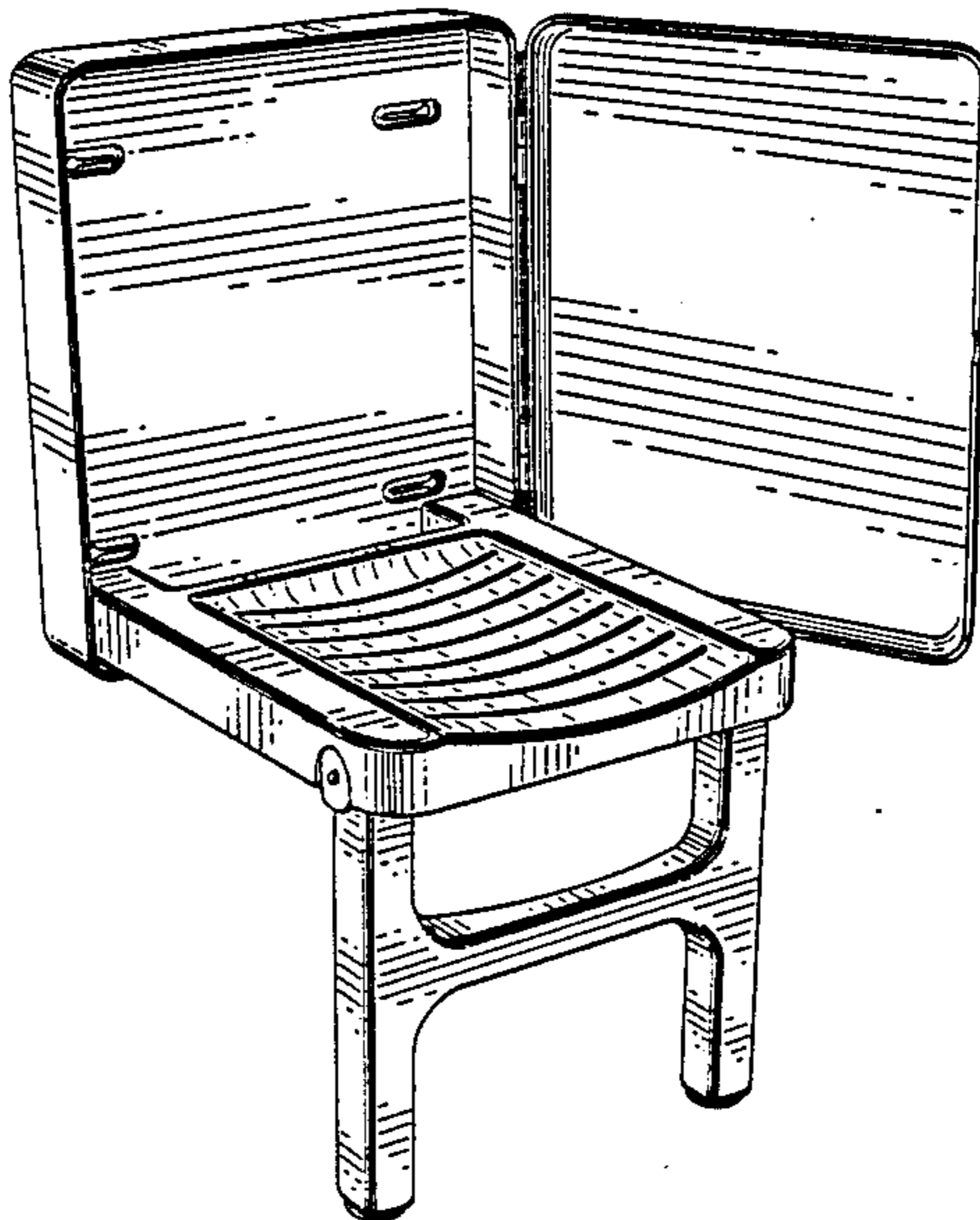
Primary Examiner—Bruce W. Dunkins  
Attorney, Agent, or Firm—Moss, Hammond

[57] CLAIM

The ornamental design for a combined foldable seat and storage cabinet therefor, as shown.

DESCRIPTION

FIG. 1 is a front perspective view of a combined foldable seat and storage cabinet therefor, showing my design; and, FIG. 2 is a rear perspective view thereof.



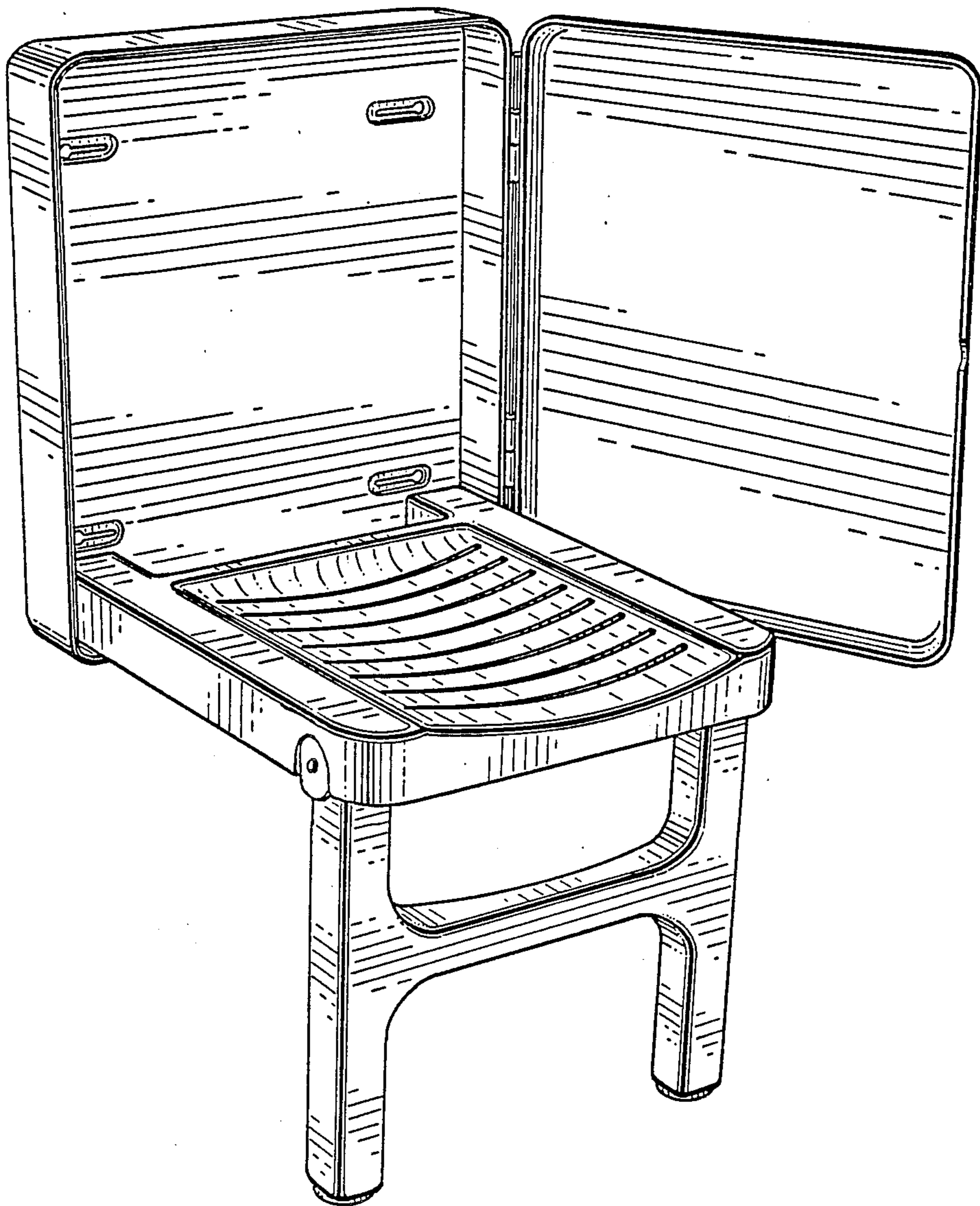


FIG. 1

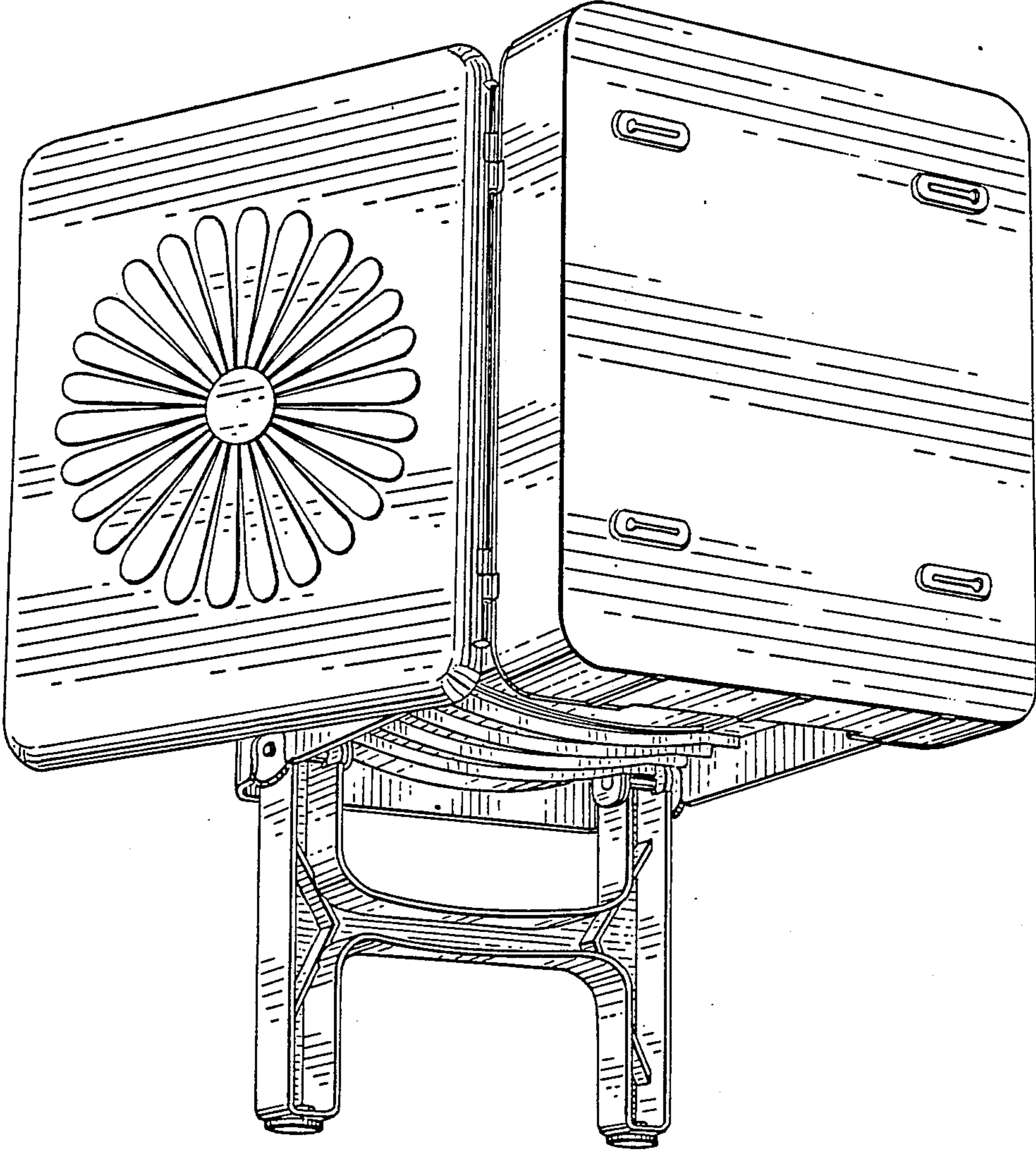


FIG. 2