

[54] BELT MOUNTED GOLF ACCESSORY HOLDER

[76] Inventor: Leonard S. Williams, 341 Hobart SE., Grand Rapids, Mich. 49507

[**] Term: 14 Years

[21] Appl. No.: 784,580

[22] Filed: Oct. 4, 1985

[52] U.S. Cl. D3/104; D21/234

[58] Field of Search D3/100, 101, 102, 103, D3/104, 105, 106; D21/234; 224/252, 253, 918, 919; 273/32 D

[56] References Cited

U.S. PATENT DOCUMENTS

| | | | | |
|------------|--------|-----------|-------|-----------|
| D. 254,940 | 5/1980 | Thomas | | D3/104 |
| D. 274,830 | 7/1984 | Lynch | | D3/104 X |
| 2,536,725 | 1/1951 | Cleveland | | 224/918 X |
| 2,548,330 | 4/1951 | Wiseman | | 224/919 X |
| 2,558,382 | 6/1951 | Previai | | 224/918 X |
| 2,665,830 | 1/1954 | Fowler | | 224/918 X |

| | | | | |
|-----------|--------|--------|-------|-----------|
| 3,298,579 | 1/1967 | Smith | | 224/918 X |
| 3,497,118 | 2/1970 | Najjar | | 224/918 X |
| 3,799,331 | 3/1974 | White | | 224/918 X |
| 3,968,522 | 7/1976 | Riess | | 224/918 X |

FOREIGN PATENT DOCUMENTS

| | | | | |
|--------|--------|----------------|-------|---------|
| 227180 | 1/1925 | United Kingdom | | 224/919 |
|--------|--------|----------------|-------|---------|

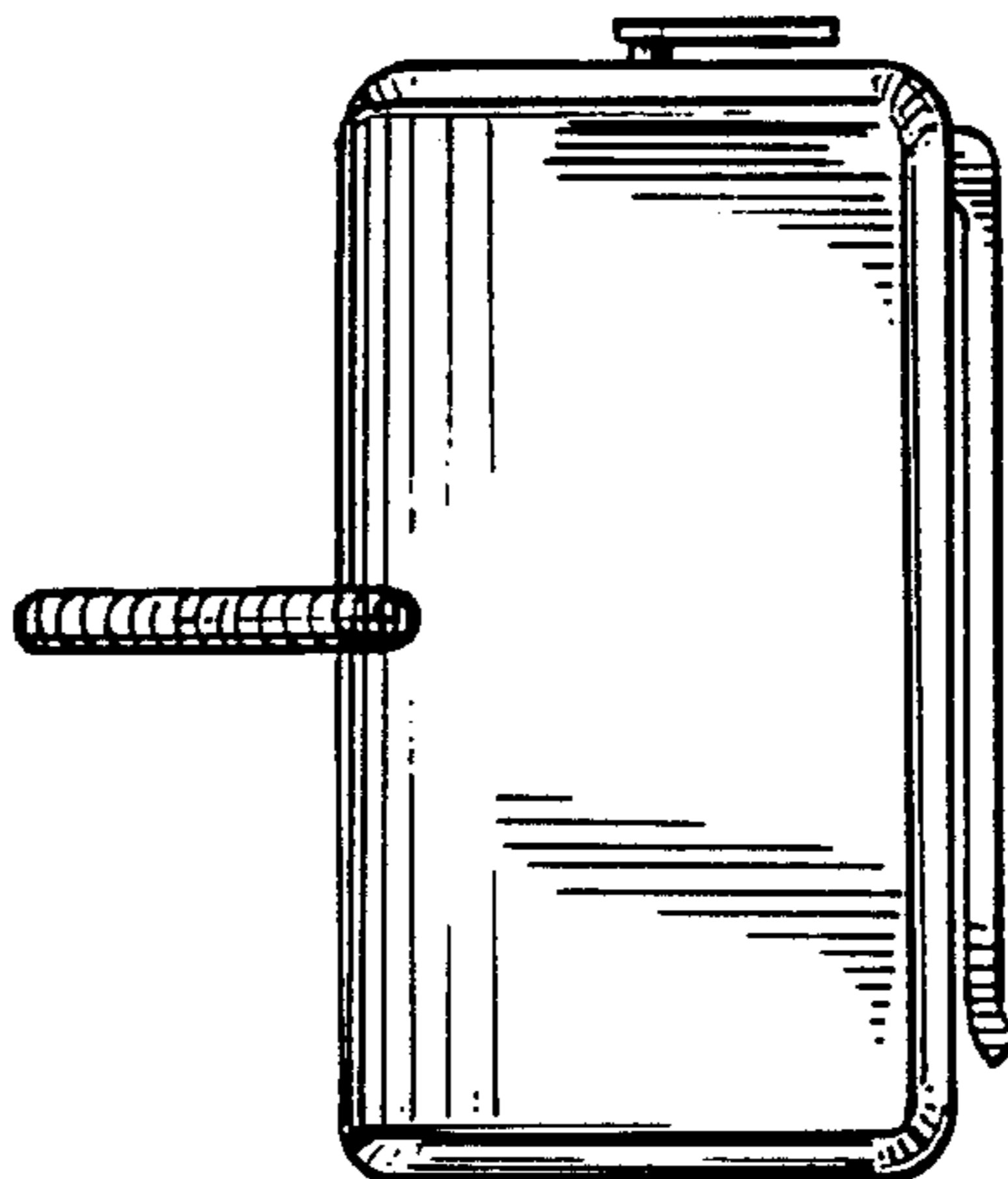
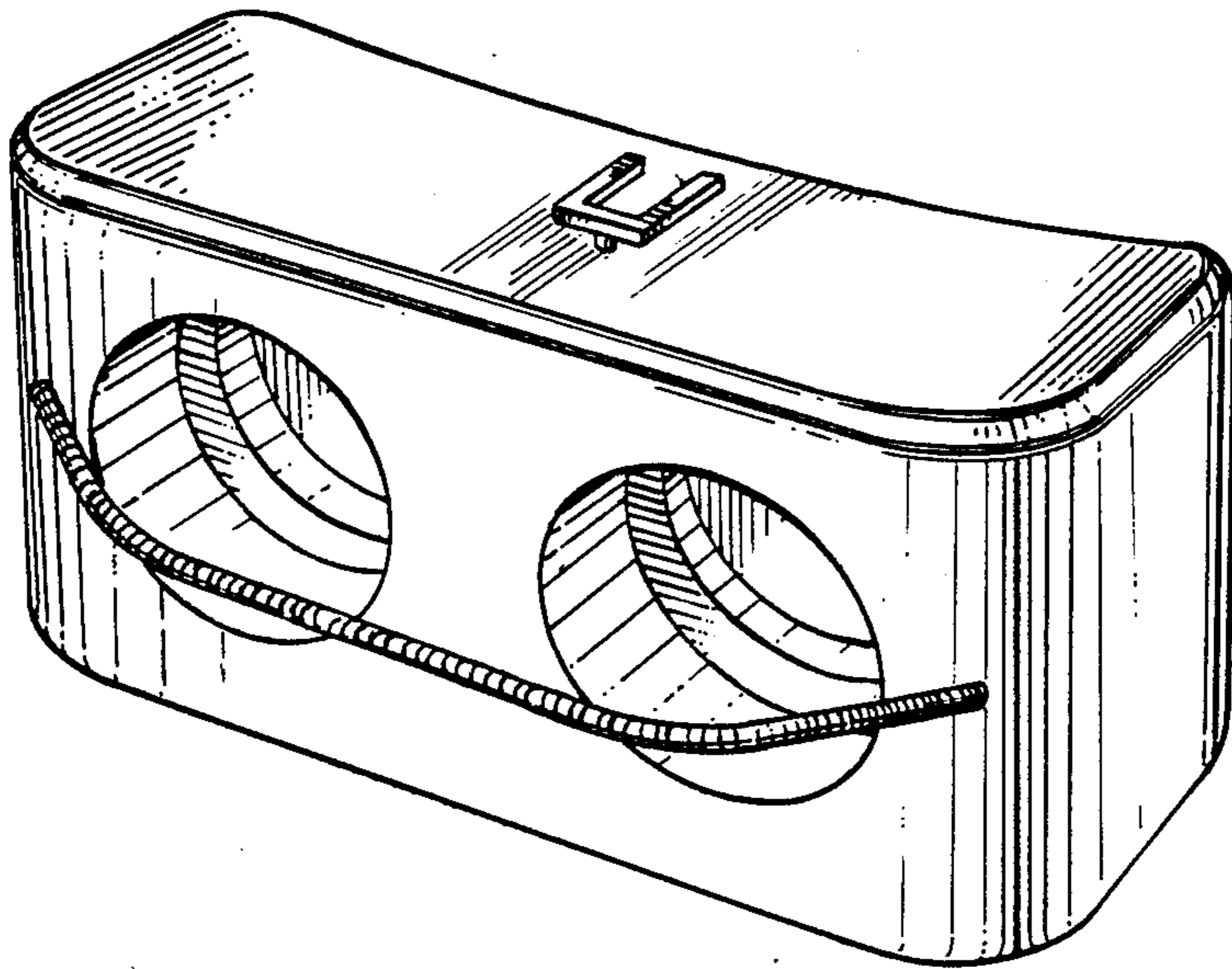
Primary Examiner—Carmen H. Vales
Attorney, Agent, or Firm—Richard C. Litman

[57] CLAIM

The ornamental design for a belt mounted golf accessory holder, as shown and described.

DESCRIPTION

FIG. 1 is a front perspective view of a belt mounted golf accessory holder showing my new design; FIG. 2 is a rear elevational view thereof; FIG. 3 is a left side elevational view as seen when worn; FIG. 4 is a front elevational view, the broken lines indicate environmental structure and form no part of the claimed design; and FIG. 5 is a bottom plan view thereof.



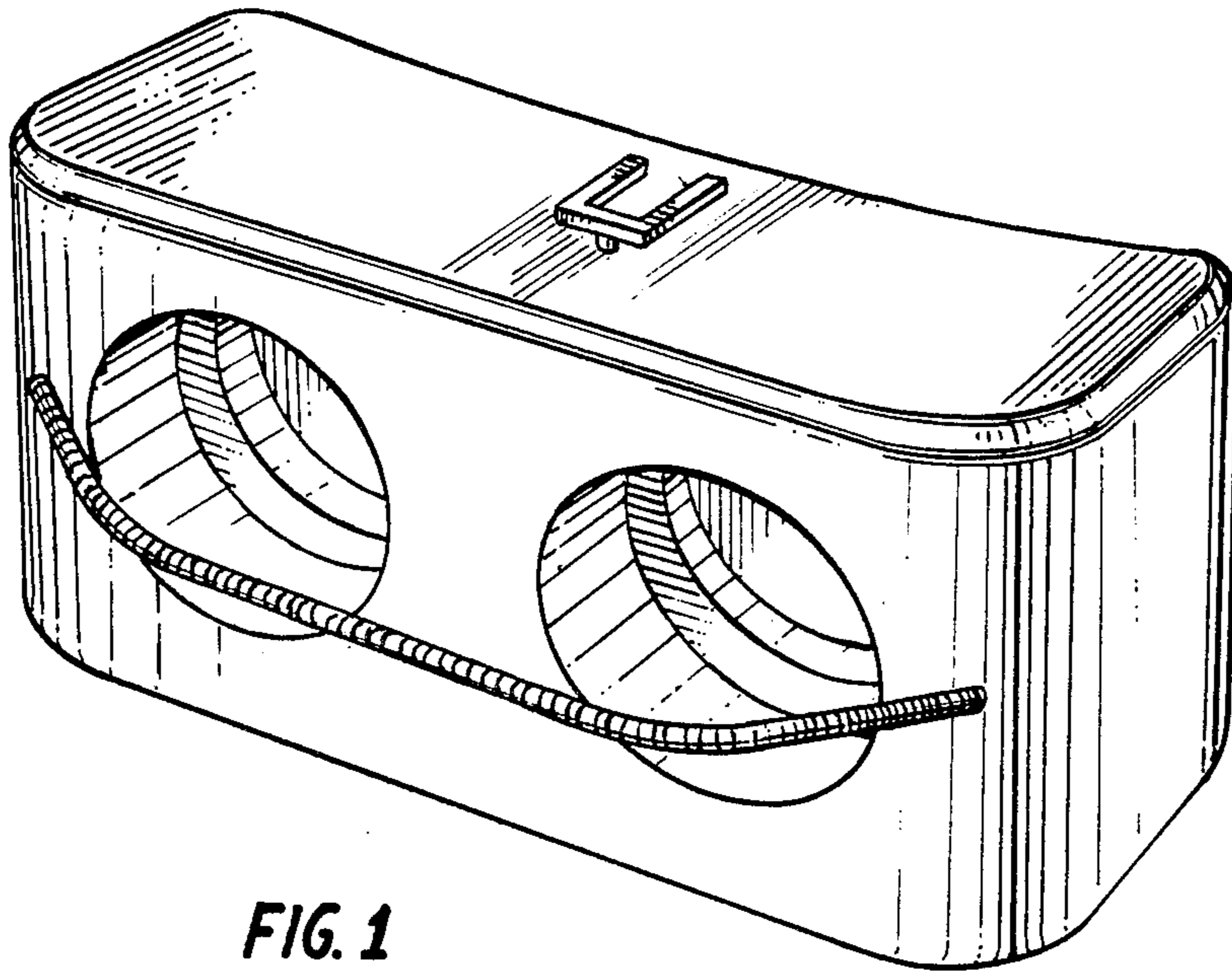


FIG. 1

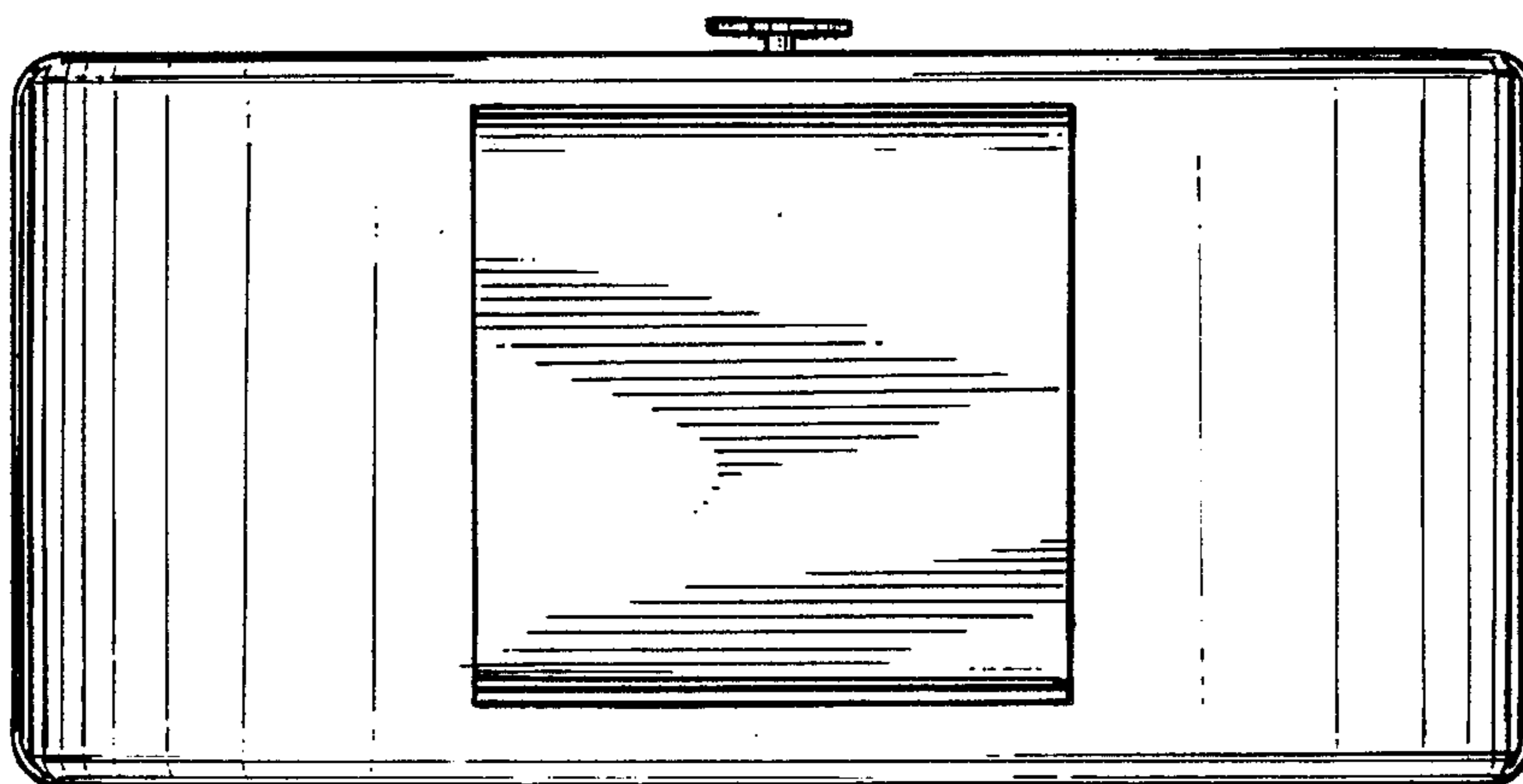


FIG. 2

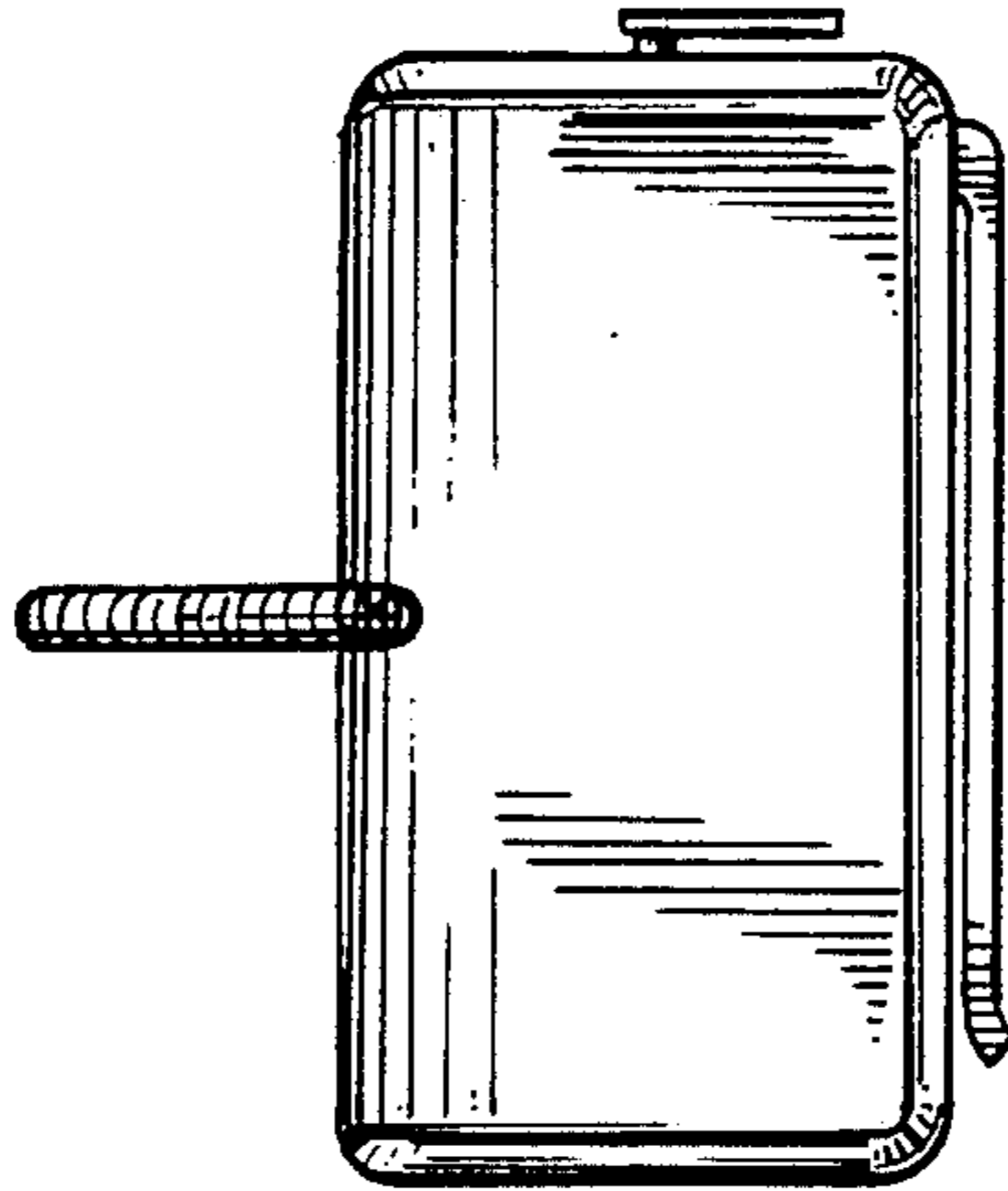


FIG. 3

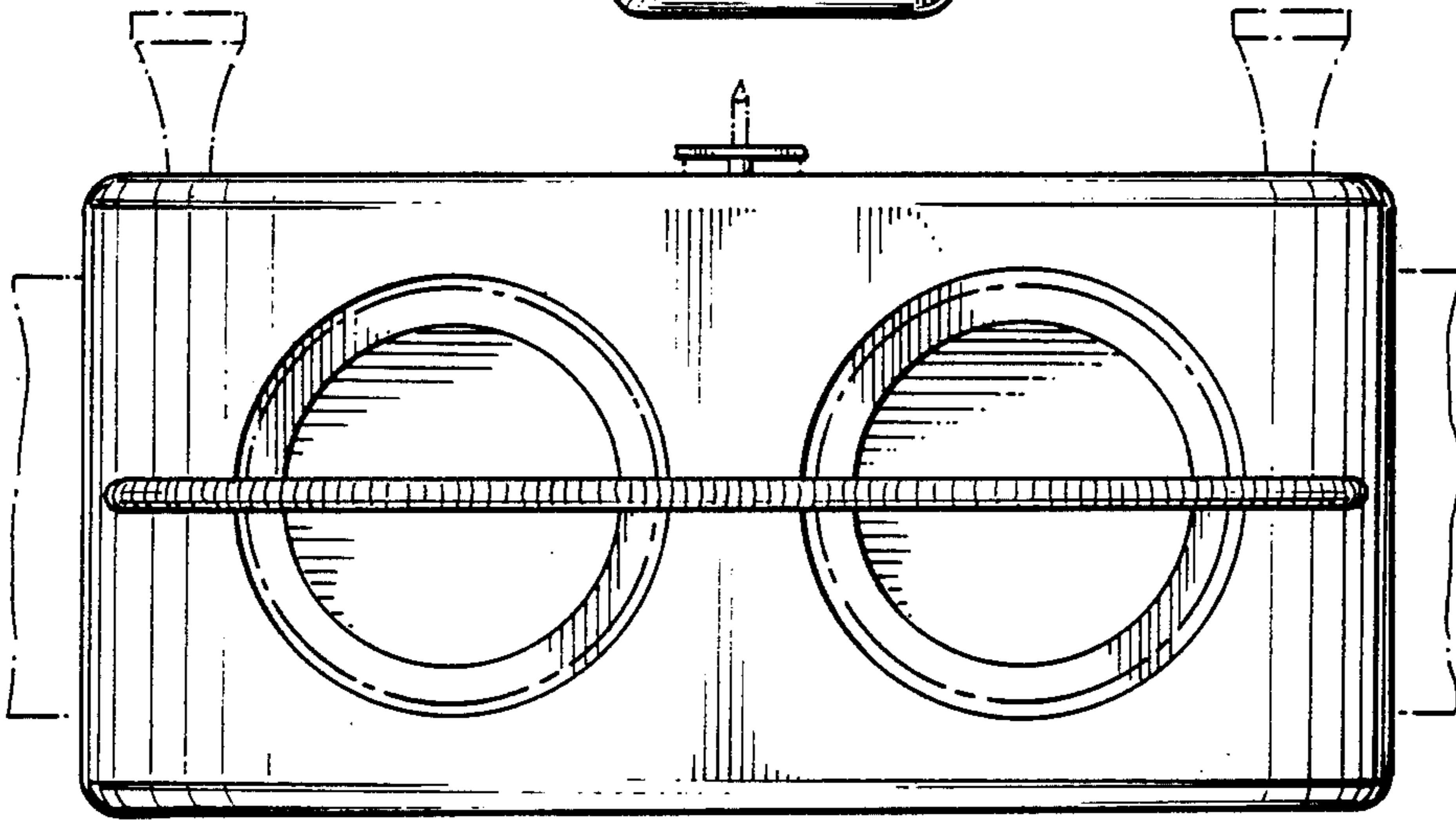


FIG. 4

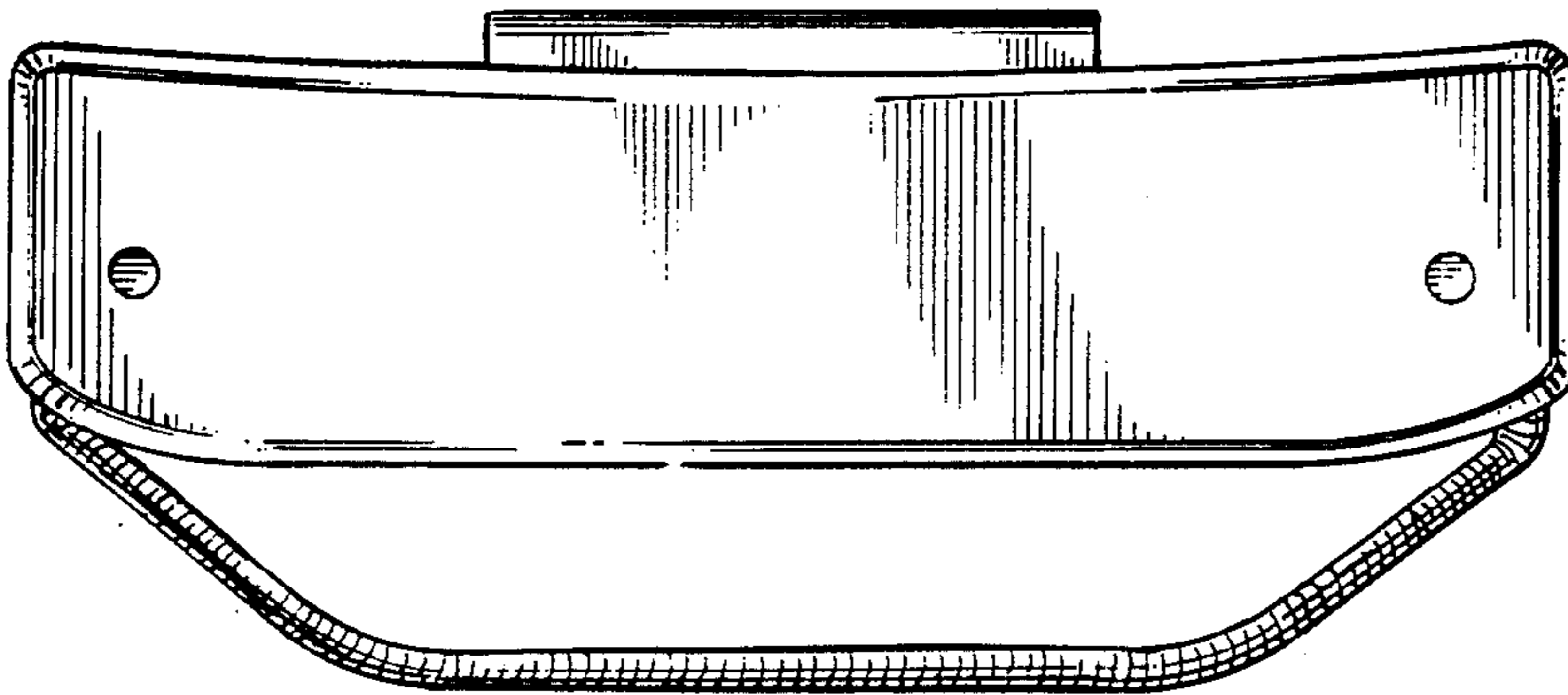


FIG. 5