

United States Patent [19]

McConnell, III et al.

[11] Patent Number: Des. 296,386

[45] Date of Patent: ** Jun. 28, 1988

[54] VIDEO TAPE REEL BOX

[75] Inventors: Joseph W. McConnell, III, Federal Way; Richard D. Wilburn, Jr., Mercer Island; Allan R. Northrup, Bellevue; Mark A. Dill; George M. Ricci, Jr., both of Redmond, all of Wash.

[73] Assignee: Amaray International Corporation, Redmond, Wash.

[**] Term: 14 Years

[21] Appl. No.: 774,038

[22] Filed: Sep. 9, 1985

[52] U.S. Cl. D3/35; D3/73

[58] Field of Search D3/35, 73, 33; D9/418, D9/424, 432, 378; 206/45.13, 45.18, 307, 309, 312, 313, 387, 389, 425, 444, 472

[56] References Cited

U.S. PATENT DOCUMENTS

D. 189,267 11/1960 Silten D3/73 X
D. 222,819 1/1972 DelCorno et al. D3/35
D. 268,380 3/1983 Thiele D3/73 X
D. 283,790 5/1986 Lemkin et al. D9/424 X

D. 286,138 10/1986 Lemkin et al. D9/341 X
2,558,839 7/1951 Goldberg .
3,169,682 2/1965 Hollingsworth .
3,417,894 12/1968 Gittler .
3,441,071 4/1969 Schurman et al. .
3,441,128 4/1969 Goldberg et al. .
3,454,153 7/1969 Jensen .
3,552,551 1/1971 Goldberg et al. .
3,612,233 10/1971 Nagpal et al. .
4,083,449 4/1978 Rubins .
4,407,412 10/1983 Thiele et al. .

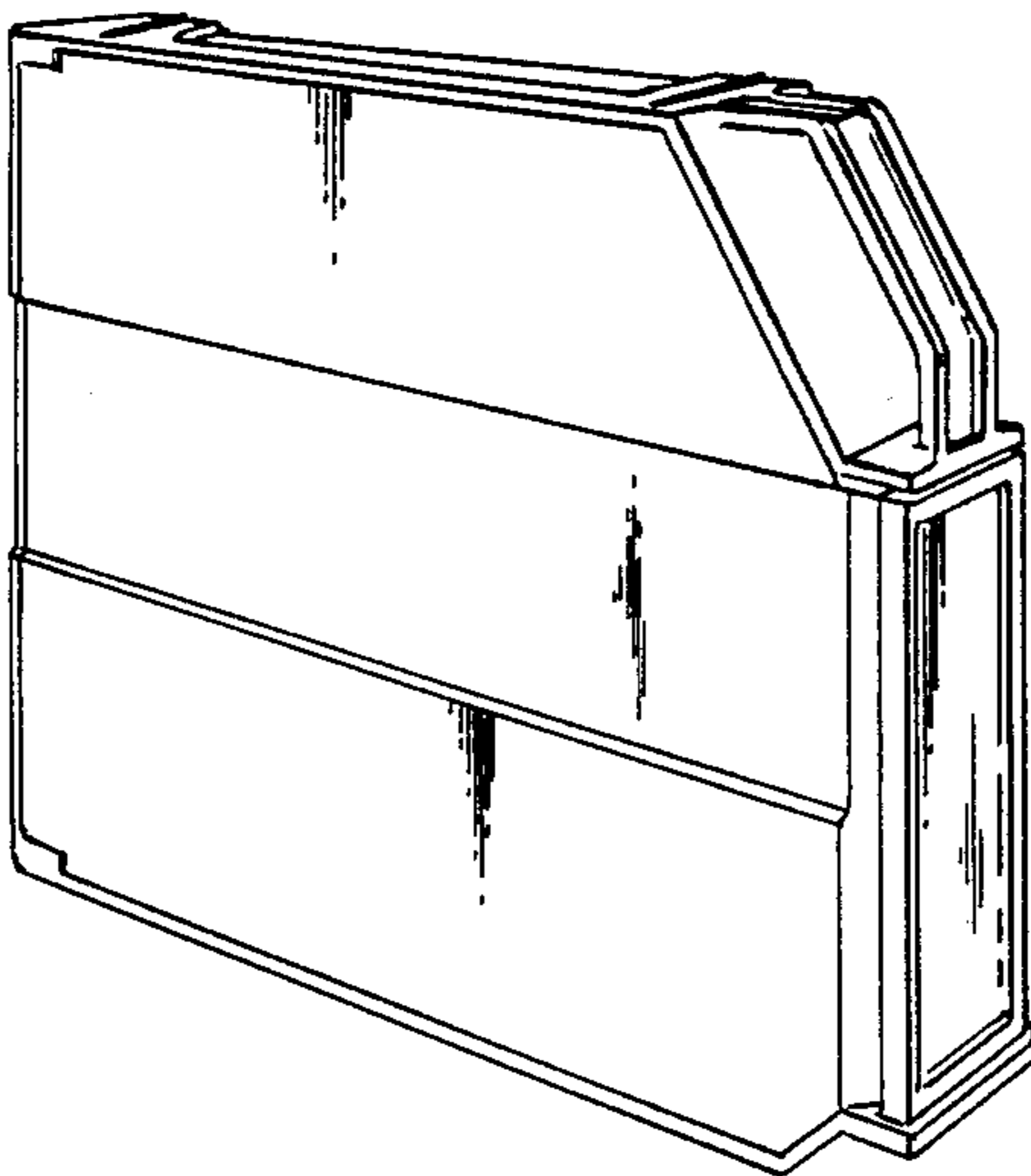
Primary Examiner—Carmen H. Vales
Attorney, Agent, or Firm—Seed and Berry

[57] CLAIM

The ornamental design for a video tape reel box, substantially as shown and described.

DESCRIPTION

FIG. 1 is a perspective view of a video tape reel box showing our new design;
FIG. 2 is a left side elevational view thereof;
FIG. 3 is a top plan view thereof;
FIG. 4 is a right side elevational view thereof;
FIG. 5 is a bottom plan view thereof;
FIG. 6 is a front elevational view thereof; and
FIG. 7 is a rear elevational view thereof.



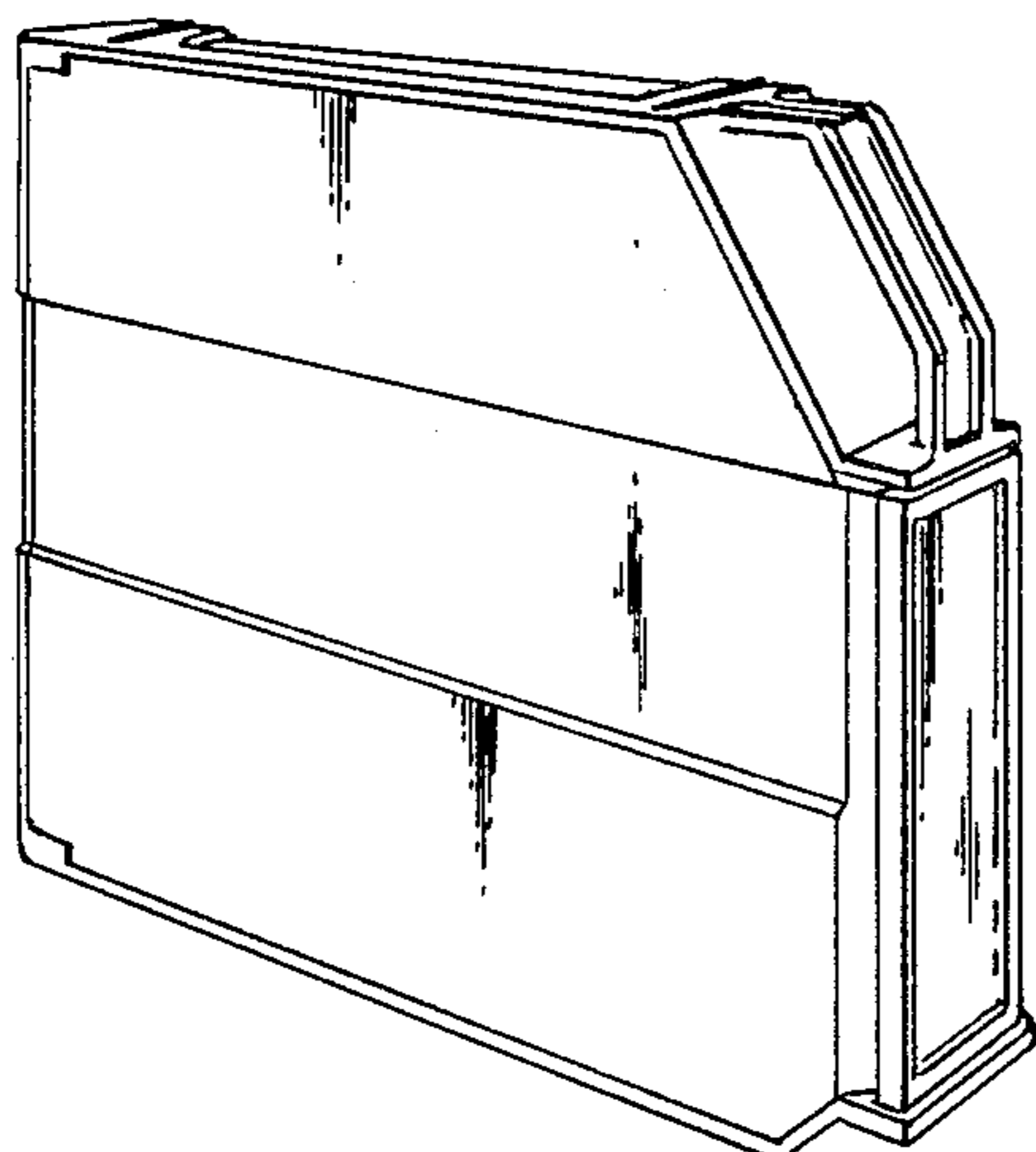


FIG. 1

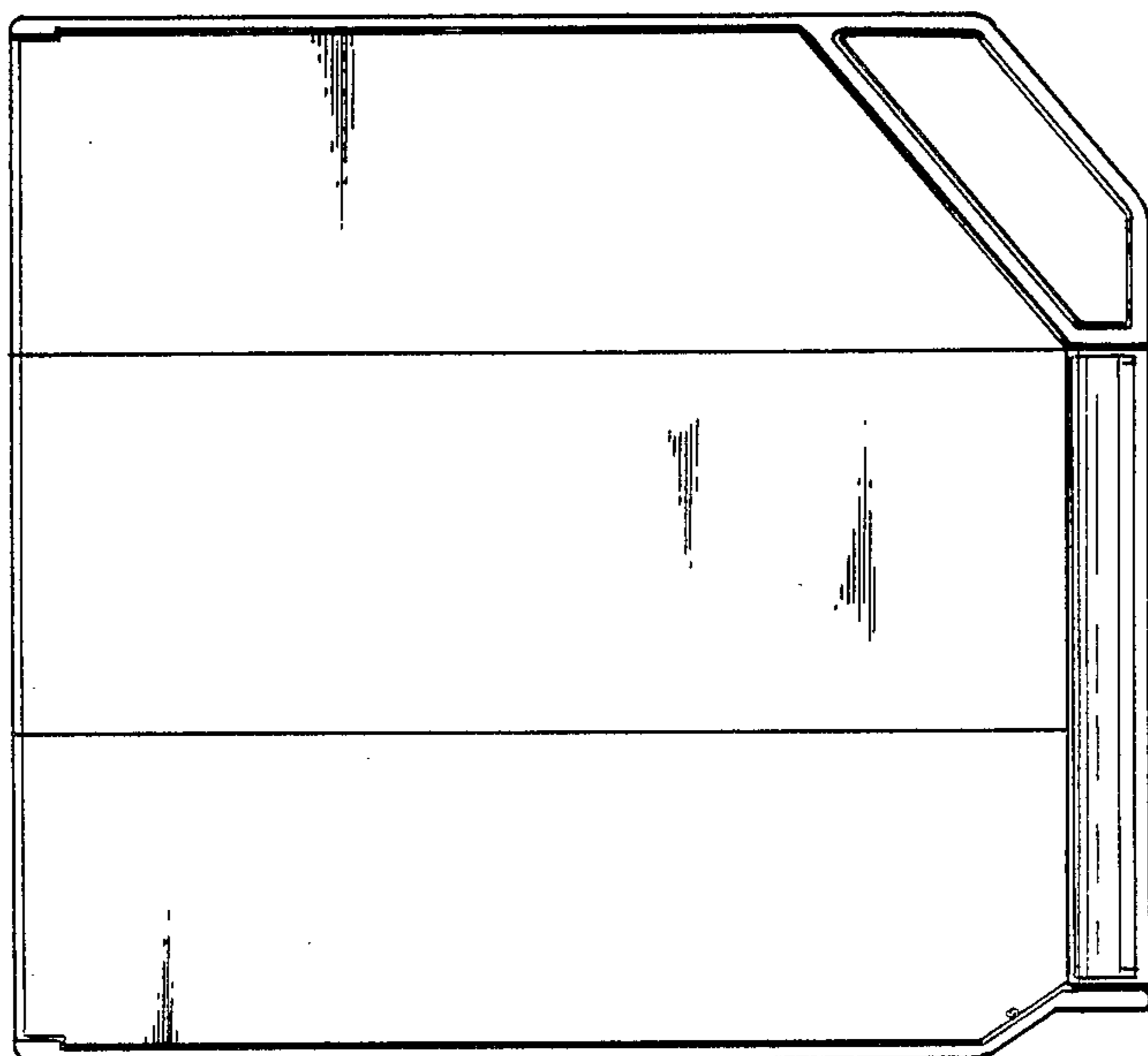


FIG. 2

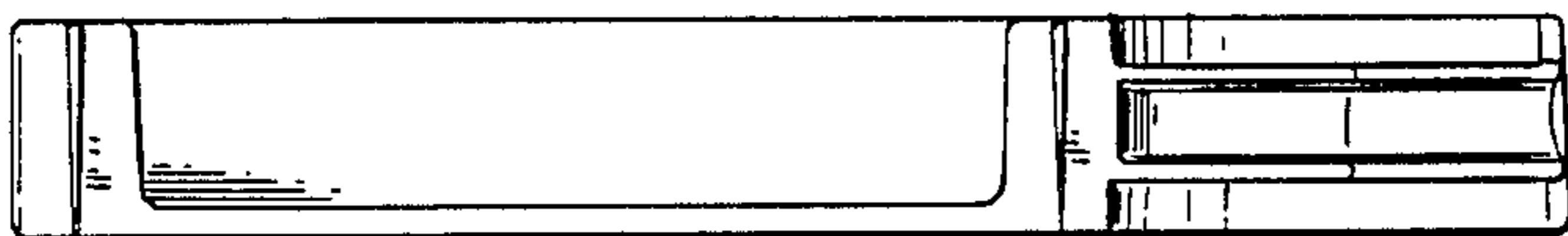


FIG. 3

FIG. 4

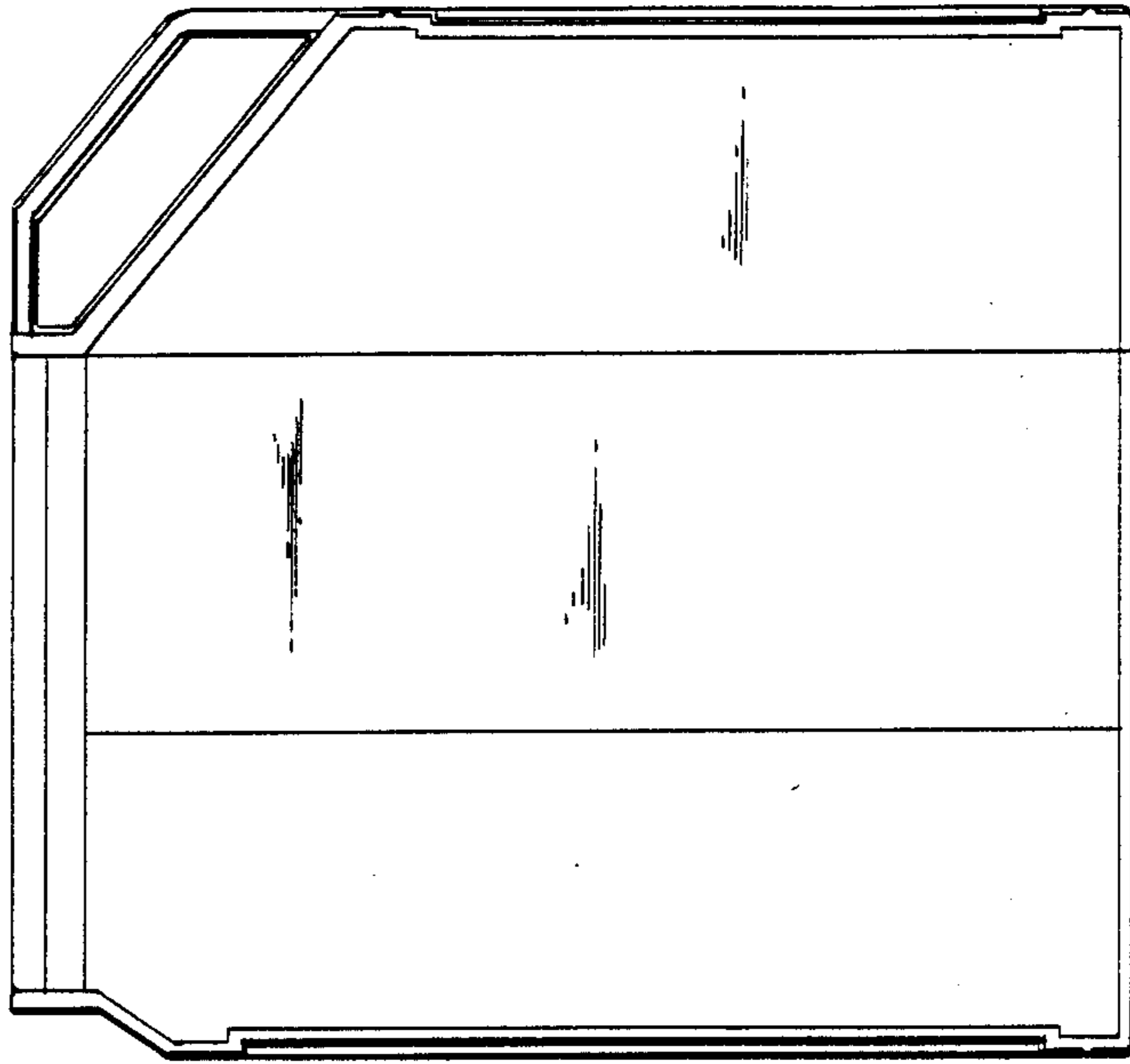


FIG. 5



FIG. 6

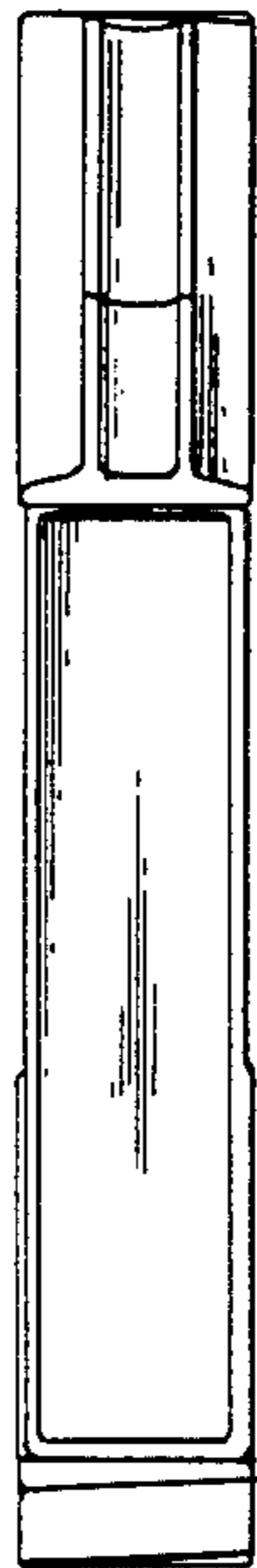


FIG. 7

