

[54] **HAULING ATTACHMENT**

[76] **Inventor:** Alexander Madison, Jr., Box 43,  
White Marsh, Va. 23183  
[\*\*] **Term:** 14 Years  
[21] **Appl. No.:** 845,383  
[22] **Filed:** Mar. 20, 1986  
[52] **U.S. Cl. ....** D34/27; D34/16  
[58] **Field of Search ....** D34/12, 16, 27;  
280/47.31, 47.26, 659; 224/273

[56] **References Cited**

**U.S. PATENT DOCUMENTS**

D. 205,503	8/1966	Carpenter .....	D34/27
D. 218,601	9/1970	Prestage .....	D34/27
486,469	11/1892	Hoogerzeil .....	280/659
1,383,026	6/1921	Richman .....	280/47.26
3,161,434	12/1964	Jerpbak .....	280/47.31
3,279,810	10/1966	Ashworth .....	280/47.3
4,052,079	10/1977	Lehman .....	280/47.31
4,183,452	1/1980	MacDonald, Jr. ....	224/273

**FOREIGN PATENT DOCUMENTS**

66631 6/1957 France ..... 280/47.31

*Primary Examiner*—Wallace R. Burke  
*Assistant Examiner*—Kay H. Chin  
*Attorney, Agent, or Firm*—King and Schickli

[57] **CLAIM**

The ornamental design for a hauling attachment, as shown and described.

**DESCRIPTION**

FIG. 1 is a perspective view of a hauling attachment showing my new design, the broken lines are for illustrative purposes only and form no part of the claimed design;  
FIG. 2 is a front elevational view;  
FIG. 3 is a rear elevational view;  
FIG. 4 is a right side elevational view, the left side elevational view being a mirror image of that shown;  
FIG. 5 is a top plan view; and  
FIG. 6 is a bottom plan view thereof.

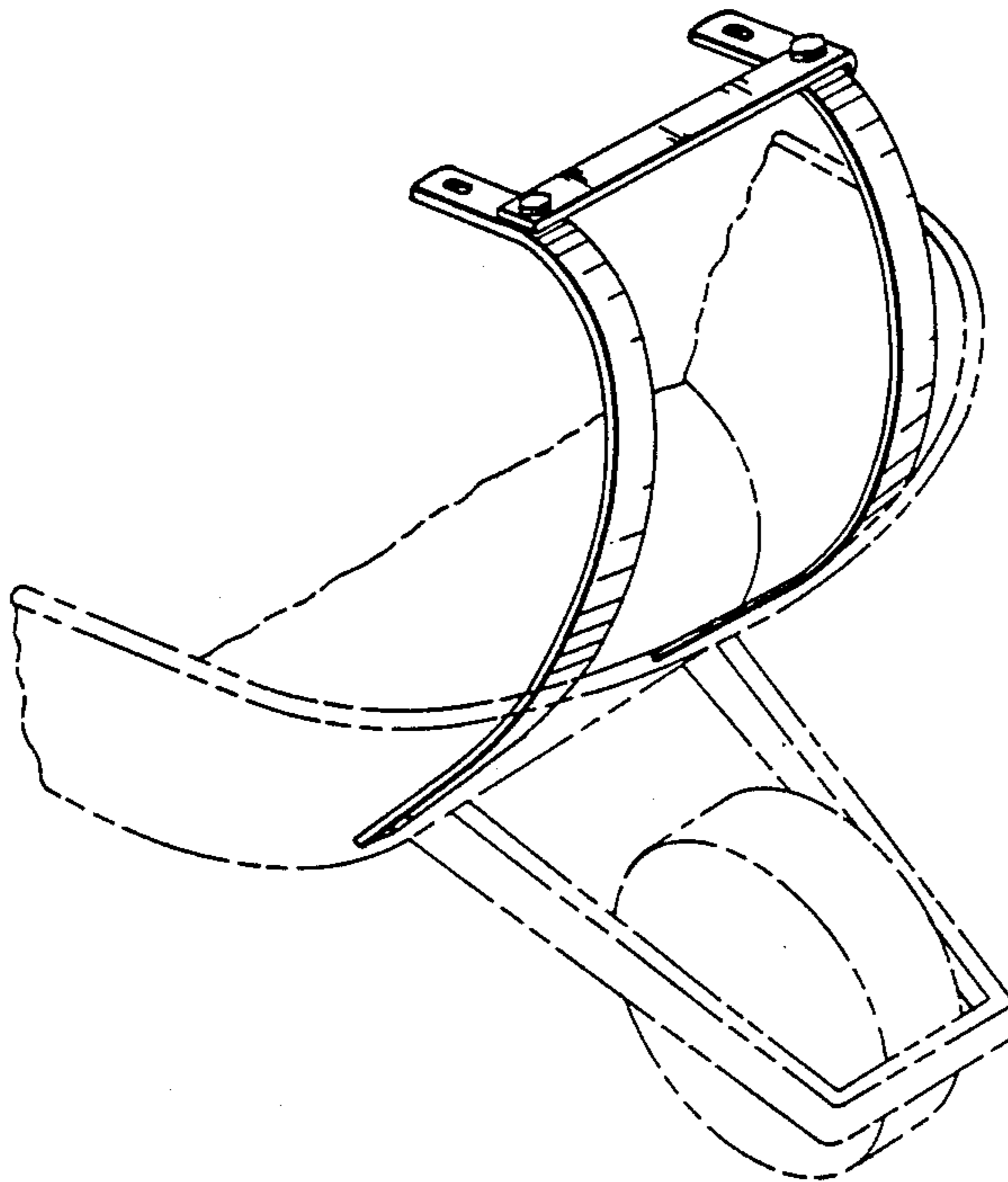


Fig. 1

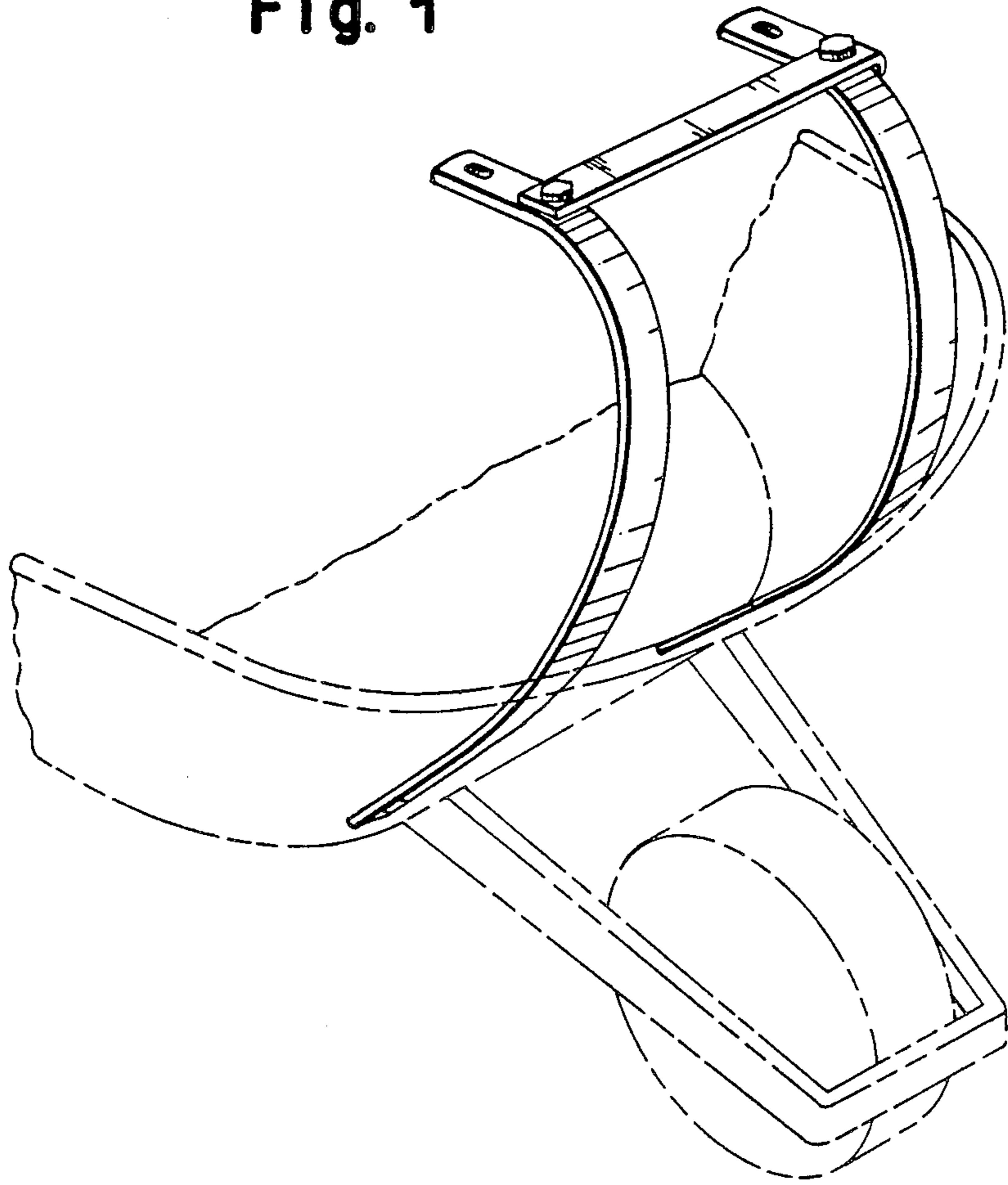


Fig. 2

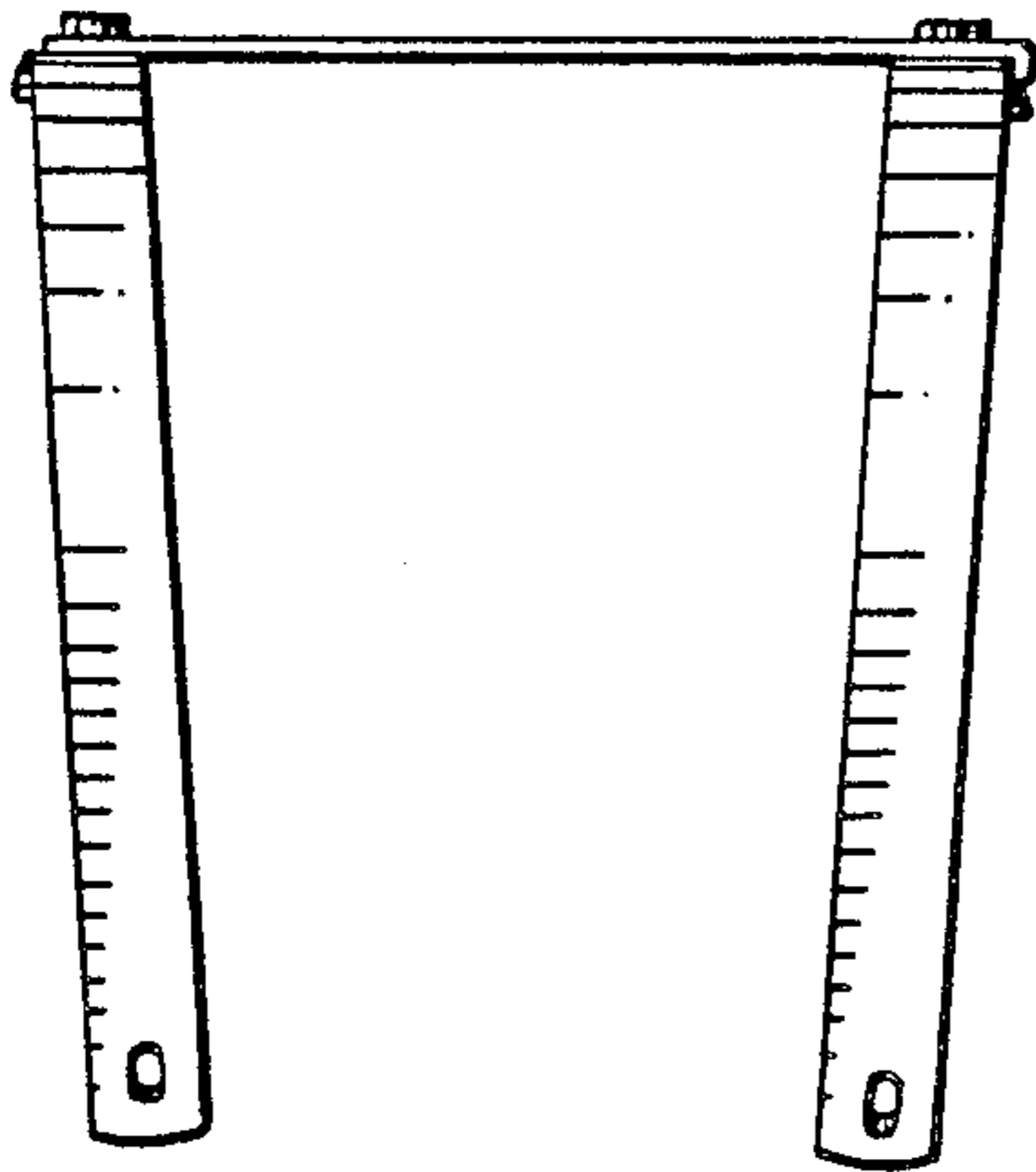
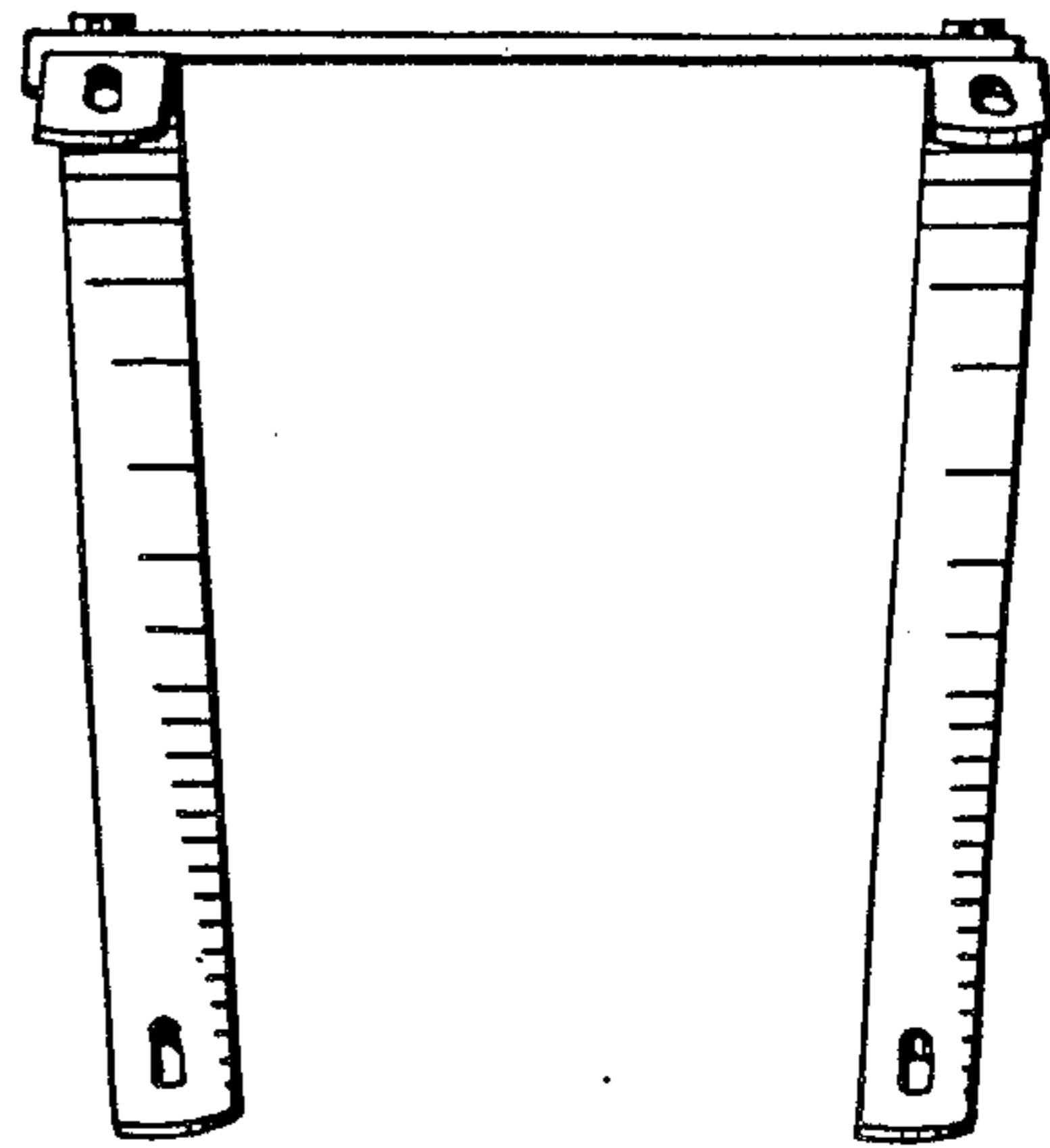


Fig. 3



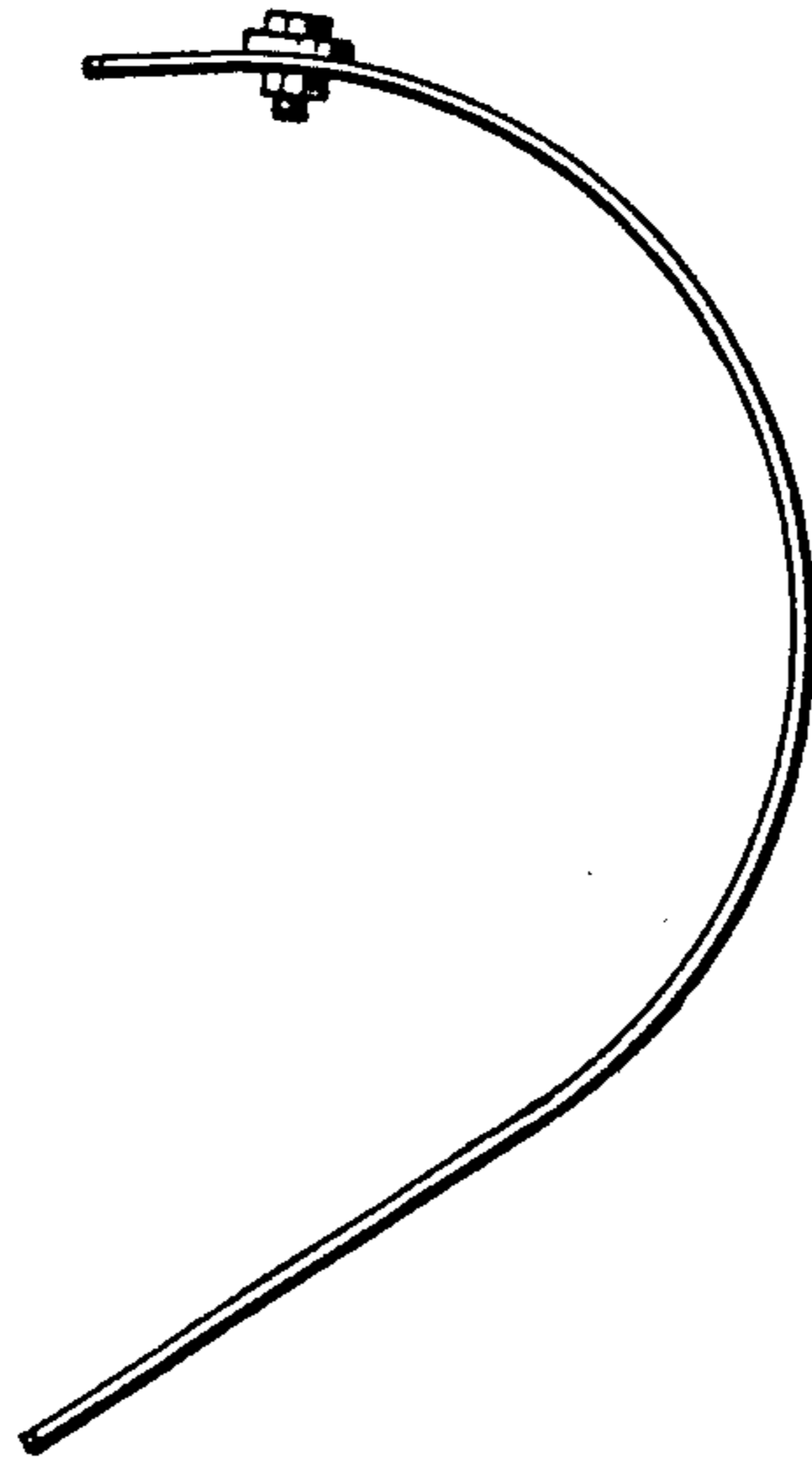


Fig. 4

Fig. 5

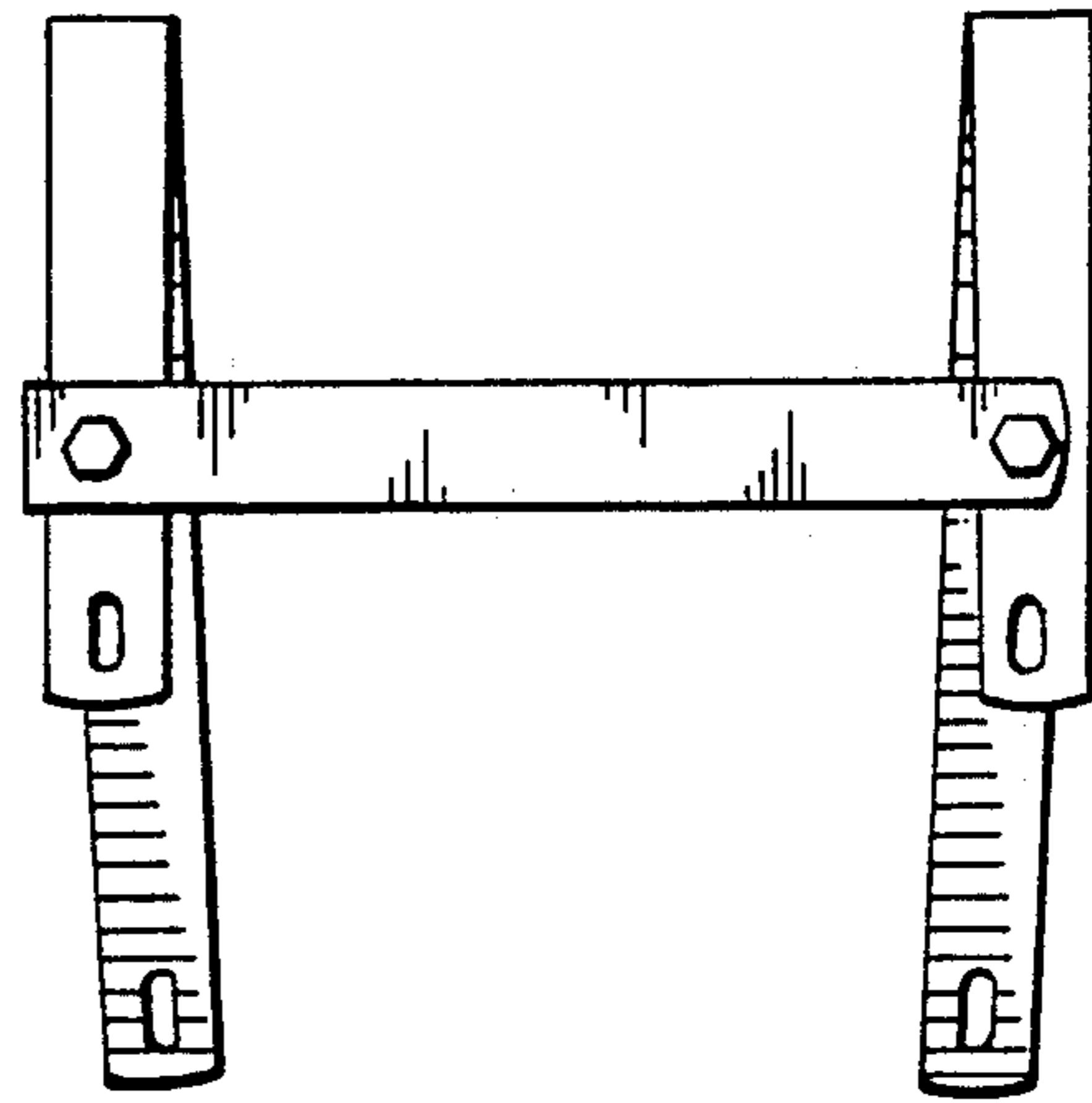


Fig. 6

