

- [54] **FABRIC CLEANING NOZZLE**
- [75] **Inventors: Ronnie G. Toney, Arvada; Steven W. Villyard, Littleton, both of Colo.**
- [73] **Assignee: Steam Way International, Inc., Denver, Colo.**
- [**] **Term: 14 Years**
- [21] **Appl. No.: 823,623**
- [22] **Filed: Jan. 29, 1986**
- [52] **U.S. Cl. D32/32**
- [58] **Field of Search D32/15, 31-33; 15/321, 322, 344, 353, 415 R, 415 A, 422; 8/142, 158**

3,964,925	6/1976	Burgoon	134/21
4,074,387	2/1978	Arato et al.	15/322
4,137,600	2/1979	Albishausen	15/322
4,159,554	7/1979	Knight et al.	15/321
4,168,562	9/1979	Maasberg	15/320
4,194,262	3/1980	Finley et al.	15/321
4,272,861	6/1981	Notta et al.	15/320
4,282,626	8/1981	Schneider	15/320
4,488,330	12/1984	Grave	15/322

OTHER PUBLICATIONS

Best 1982/1983 catalog, p. 220, item 1-Douglas Hydro Clean Steam Carpet Cleaner utility tool.
Picture of prior art head which has been manufactured and sold by assignee, Steam Way International, Inc., for many years.

Primary Examiner—Wallace R. Burke
Assistant Examiner—Ruth Takemoto
Attorney, Agent, or Firm—W. Scott Carson

[56] **References Cited**
U.S. PATENT DOCUMENTS

D. 239,243	3/1976	Hachtmann et al.	D32/32
D. 264,139	4/1982	Pearman, Jr.	D32/33
D. 266,962	11/1982	Hachtmann et al.	D32/33
742,880	11/1903	Lotz .	
1,821,715	9/1931	Kuchinsky .	
3,431,582	3/1969	Grave	15/321
3,614,797	10/1971	Jones	8/158
3,619,849	11/1971	Jones	15/321
3,644,960	2/1972	Danzig	15/322
3,654,662	4/1972	Bates	15/302
3,775,053	11/1973	Wisdom	15/320
3,808,631	5/1974	Shibata et al.	15/321
3,896,521	7/1975	Parise	15/321
3,919,729	11/1975	Cannan	8/158

[57] **CLAIM**
The ornamental design for a fabric cleaning nozzle, as shown and described.

DESCRIPTION

FIG. 1 is a top, front and right side perspective view of a fabric cleaning nozzle showing our new design;
FIG. 2 is a right side elevational view thereof, the left side being a mirror image;
FIG. 3 is a front elevational view thereof;
FIG. 4 is a rear elevational view thereof;
FIG. 5 is a top plan view thereof; and
FIG. 6 is a bottom plan view thereof.

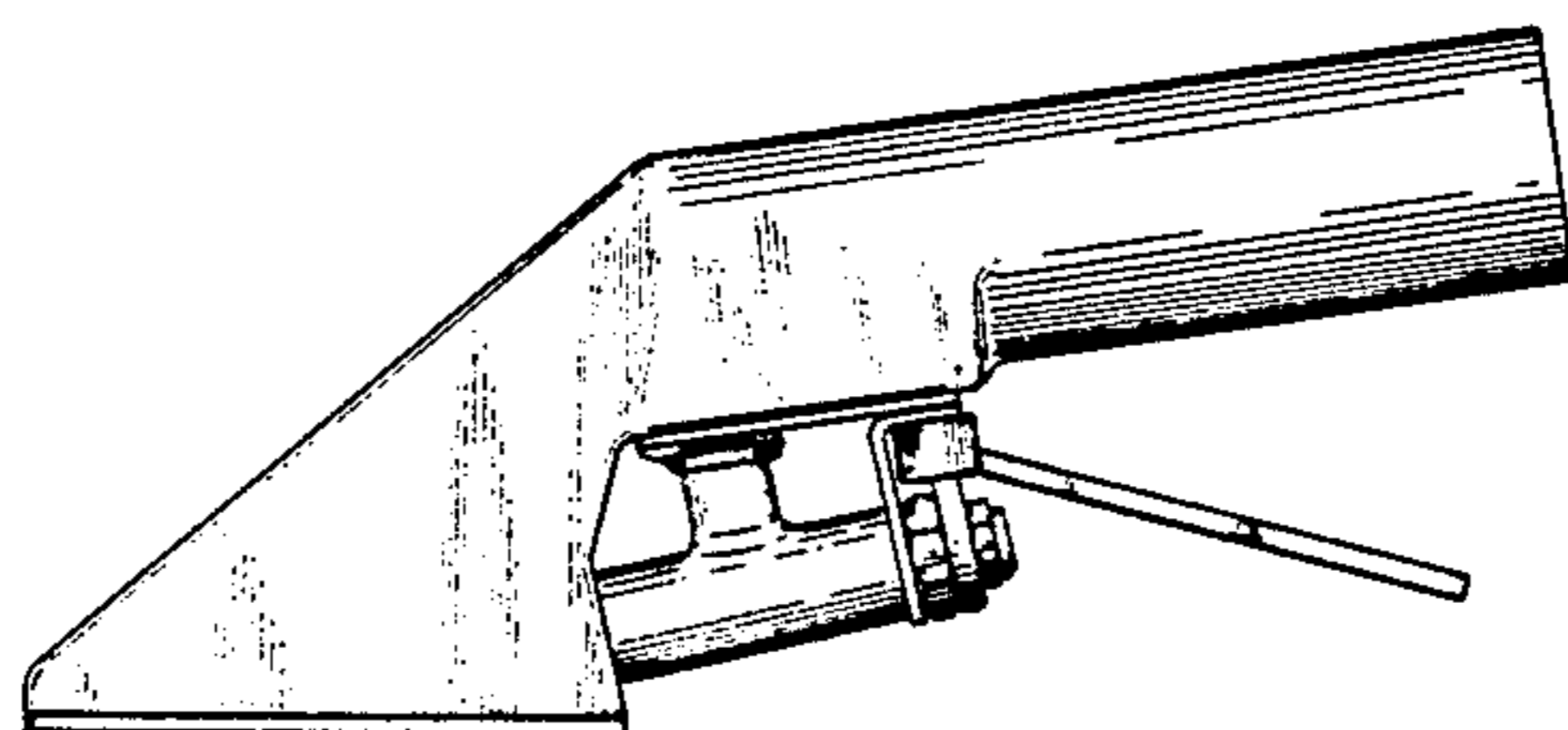
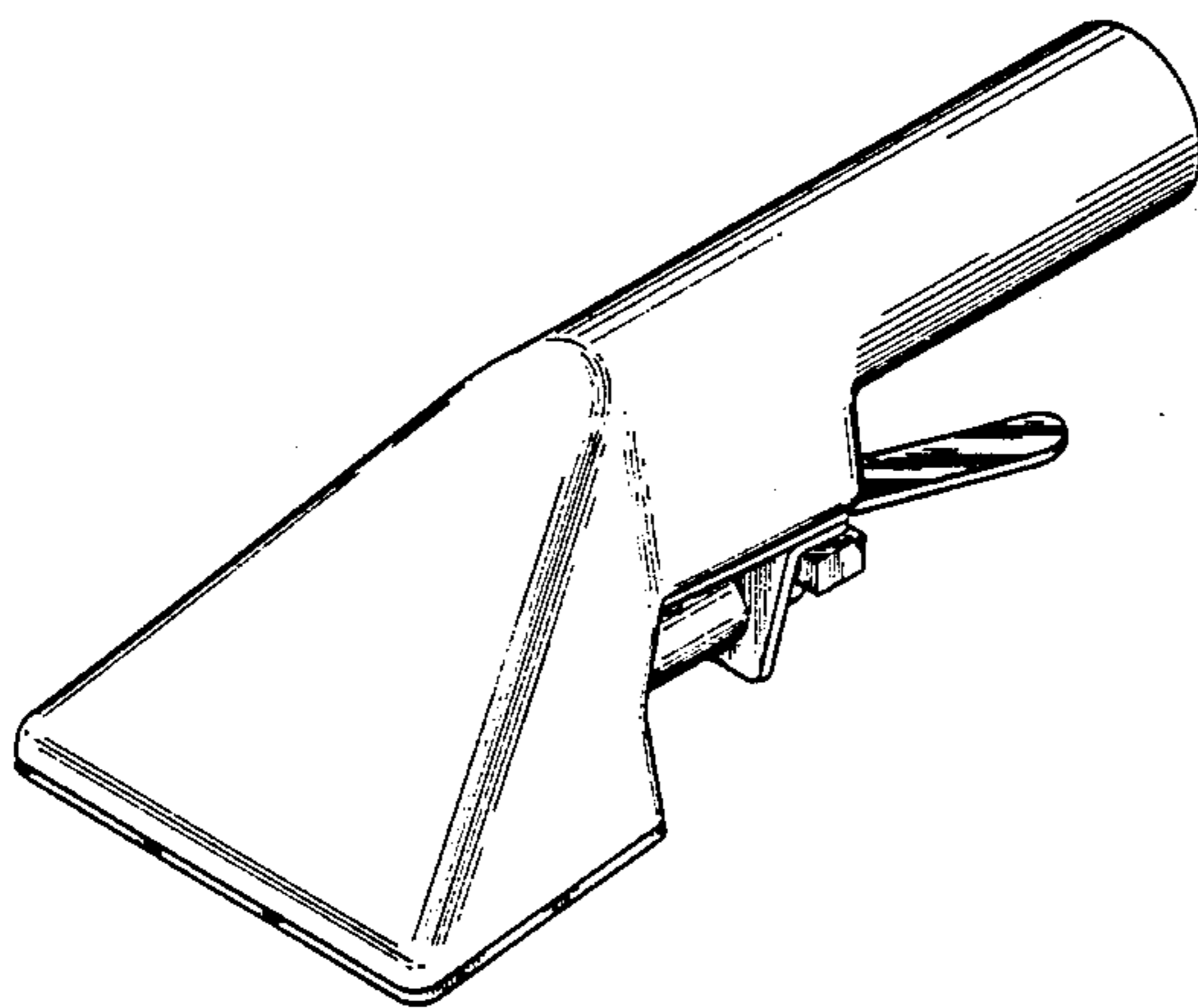


Fig. 1

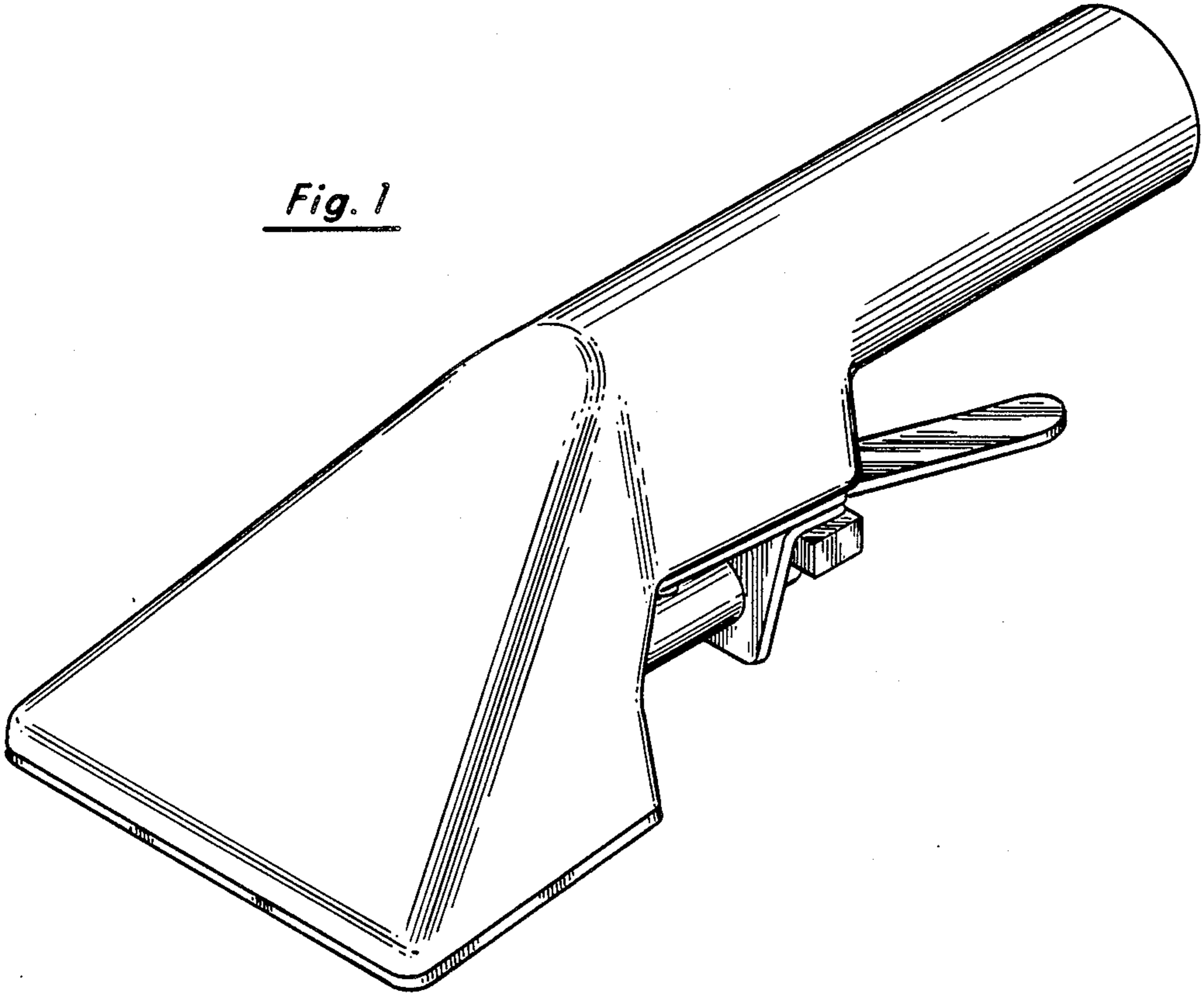
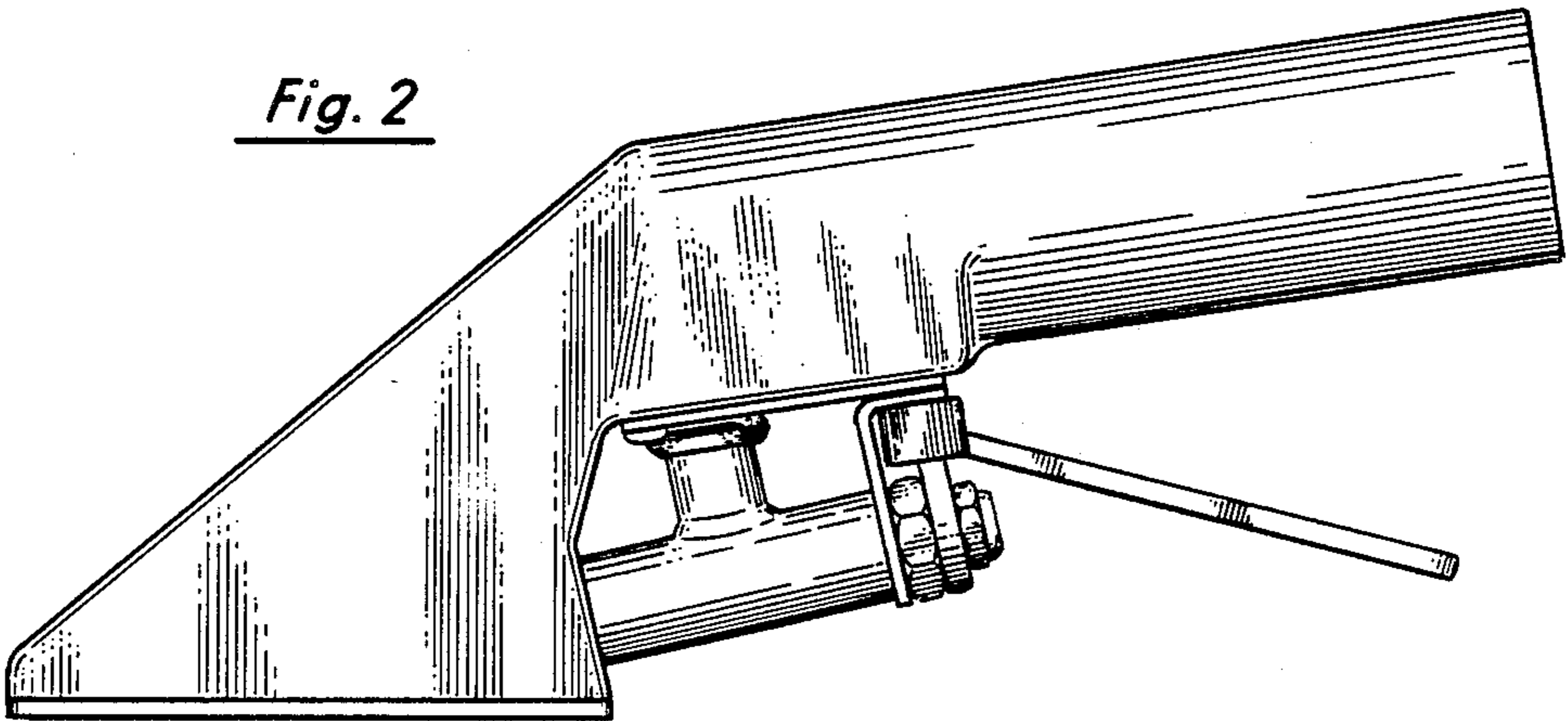


Fig. 2



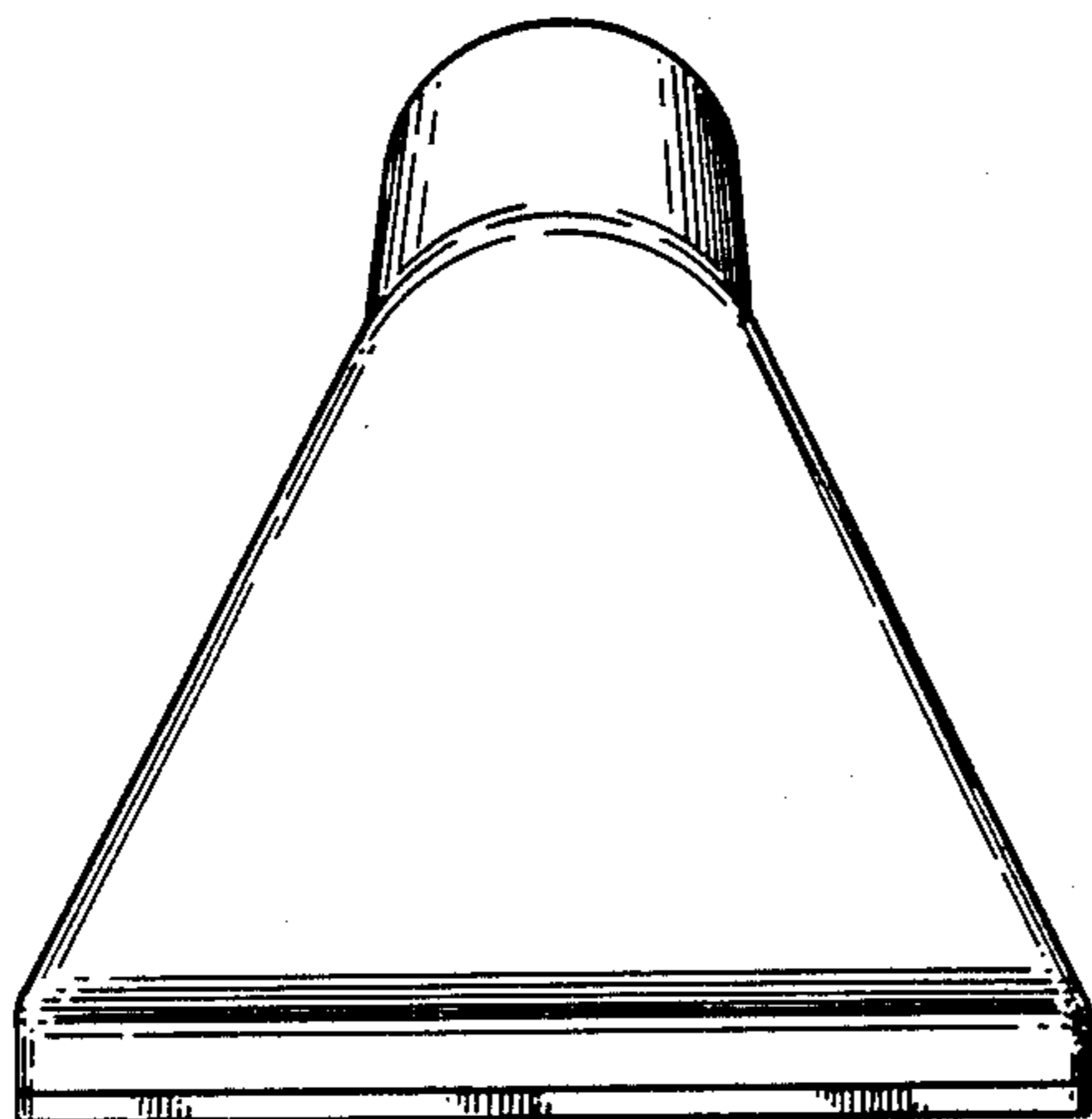


Fig. 3

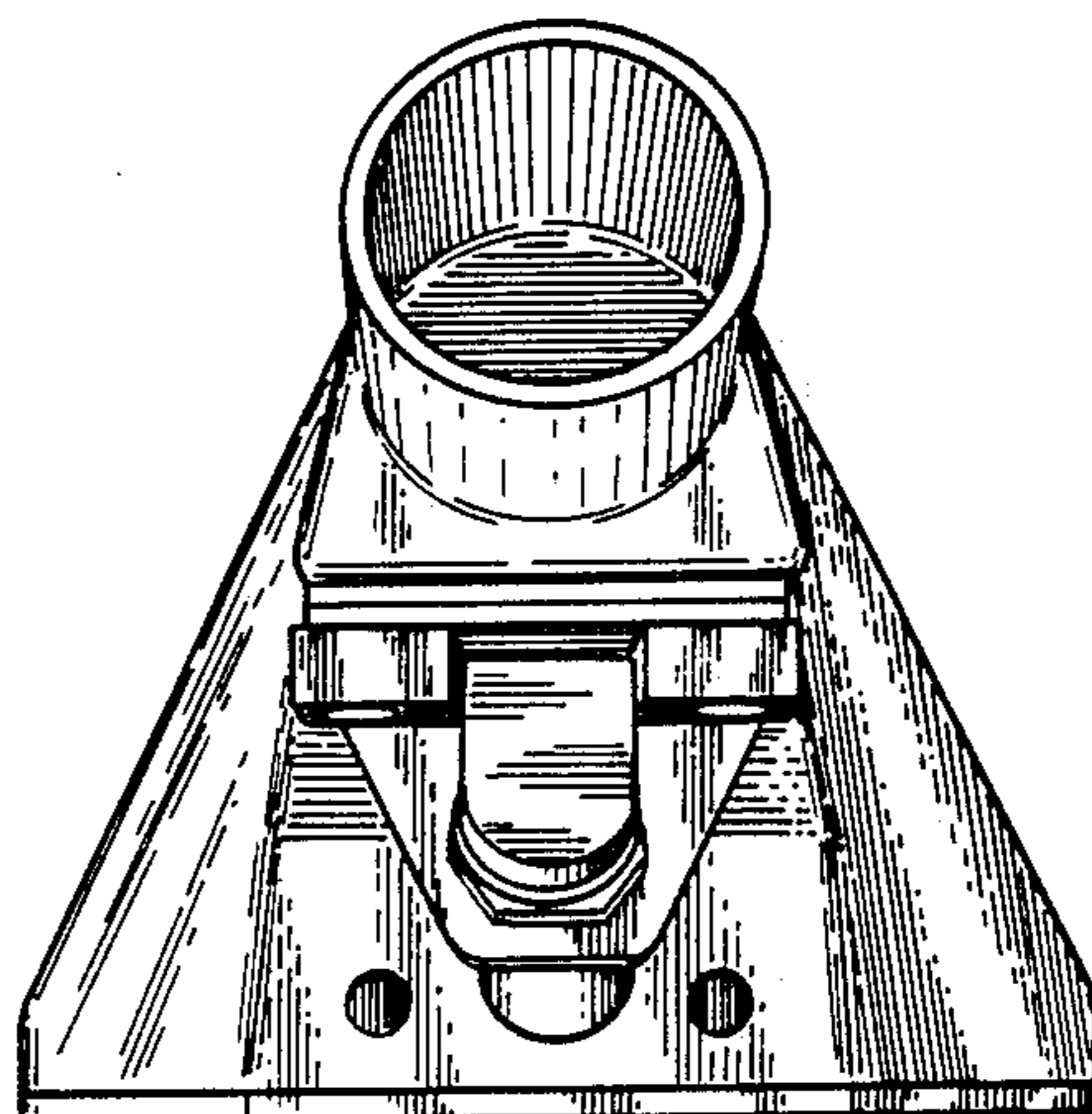


Fig. 4

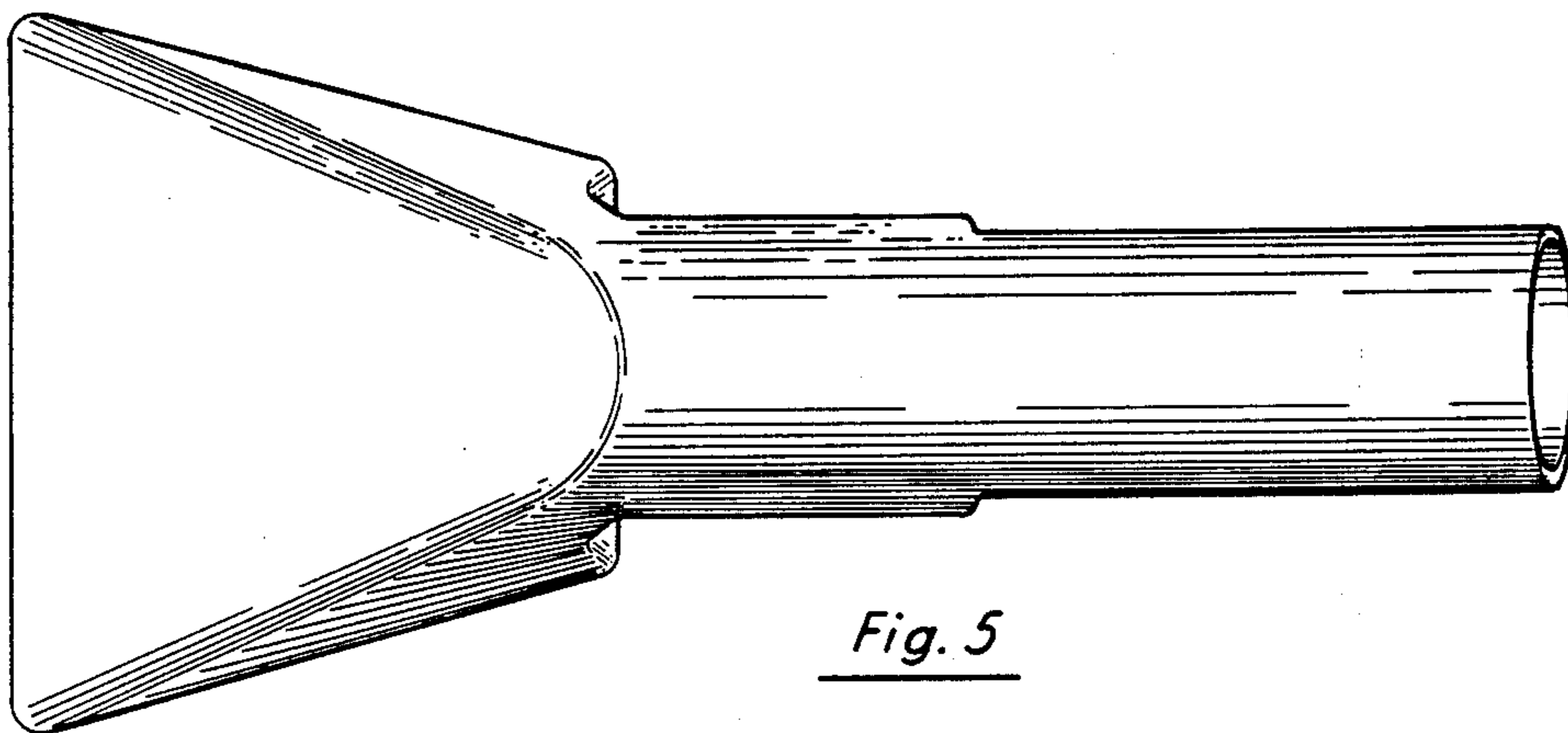


Fig. 5

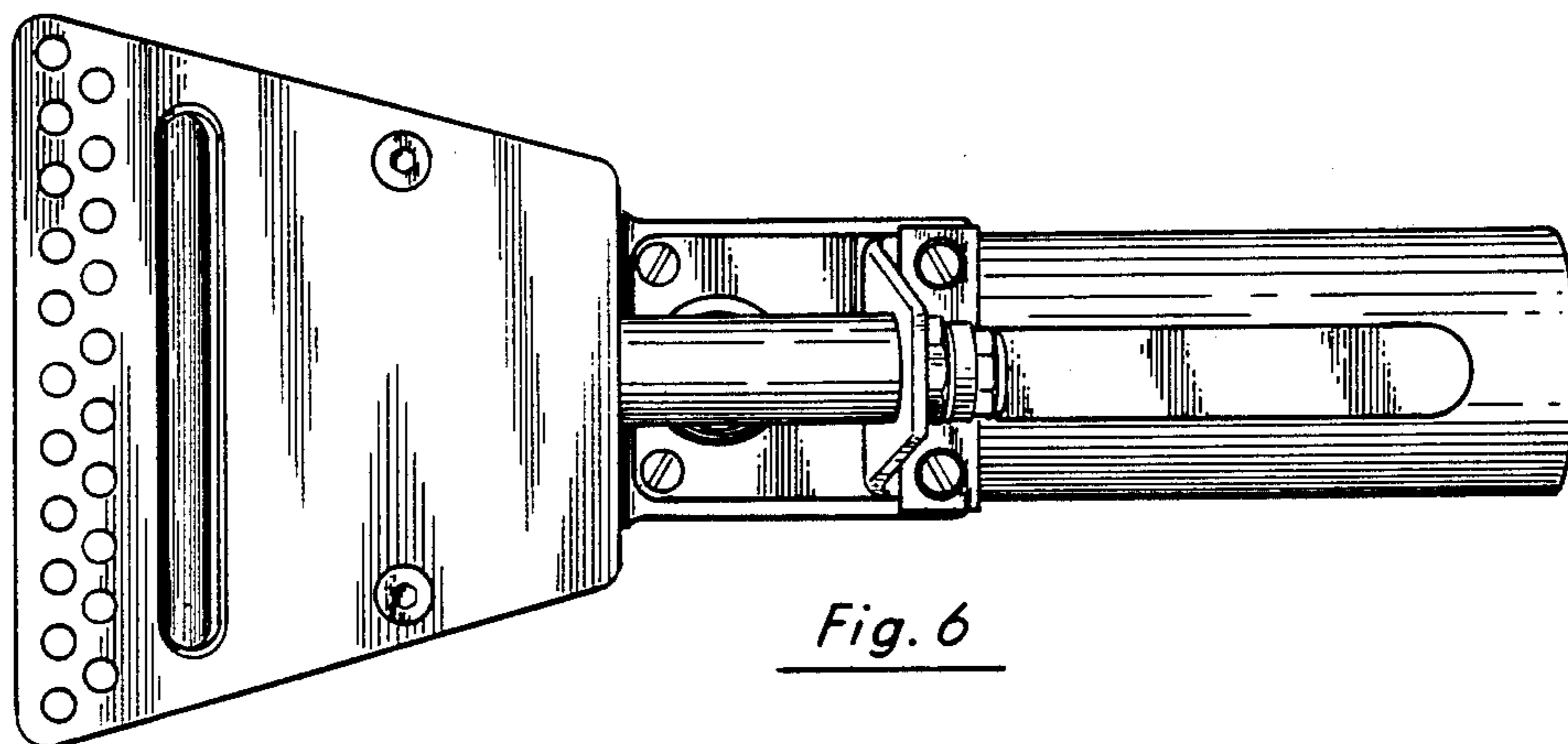


Fig. 6