

[54] COMBINED DENTAL FLOSS HOLDER AND APPLICATOR

[76] Inventors: Robert J. Lewis, 11671 Old Fashion Way; Donald J. Lewis, 11821 Old Fashion Way, both of Garden Grove, Calif. 92640

[**] Term: 14 Years

[21] Appl. No.: 758,798

[22] Filed: Jul. 25, 1985

Related U.S. Application Data

[63] Continuation-in-part of Ser. No. 477,238, Mar. 21, 1983, abandoned.

[52] U.S. Cl. D28/64

[58] Field of Search D28/64; 132/90-93

[56] References Cited

U.S. PATENT DOCUMENTS

2,492,291 12/1949 Johnson 132/92 R

3,993,085 11/1975 Skimmer 132/92 A

4,518,000 5/1985 Leverette 132/92 A

Primary Examiner—James M. Gandy

Assistant Examiner—Kay H. Chin

Attorney, Agent, or Firm—John H. Crowe

[57] CLAIM

The ornamental design for a combined dental floss holder and applicator, as shown and described.

DESCRIPTION

FIG. 1 is a side elevational view of a first embodiment of a combined dental floss holder and applicator showing our new design, the opposite side elevational view being a mirror image thereof.

FIG. 2 is a top plan view of FIG. 1.

FIG. 3 is a front elevational view of FIG. 1,

FIG. 4 is a rear elevational view of FIG. 1,

FIG. 5 is a bottom plan view of FIG. 4.

FIG. 6 is a side elevational view of a second embodiment of the combined dental floss holder and applicator, the opposite side elevational view being a mirror image thereof.

FIG. 7 is a top plan view of FIG. 6.

FIG. 8 is a front elevational view of FIG. 6,

FIG. 9 is a rear elevational view of FIG. 6,

FIG. 10 is a bottom plan view of FIG. 9.

FIG. 11 is a side elevational view of a third embodiment of the combined dental floss holder and applicator, the opposite side elevational view being a mirror image thereof.

FIG. 12 is a front elevational view of FIG. 11,

FIG. 13 is a rear elevational view of FIG. 11,

FIG. 14 is a top plan view of FIG. 11.

FIG. 15 is a bottom plan view of FIG. 12.

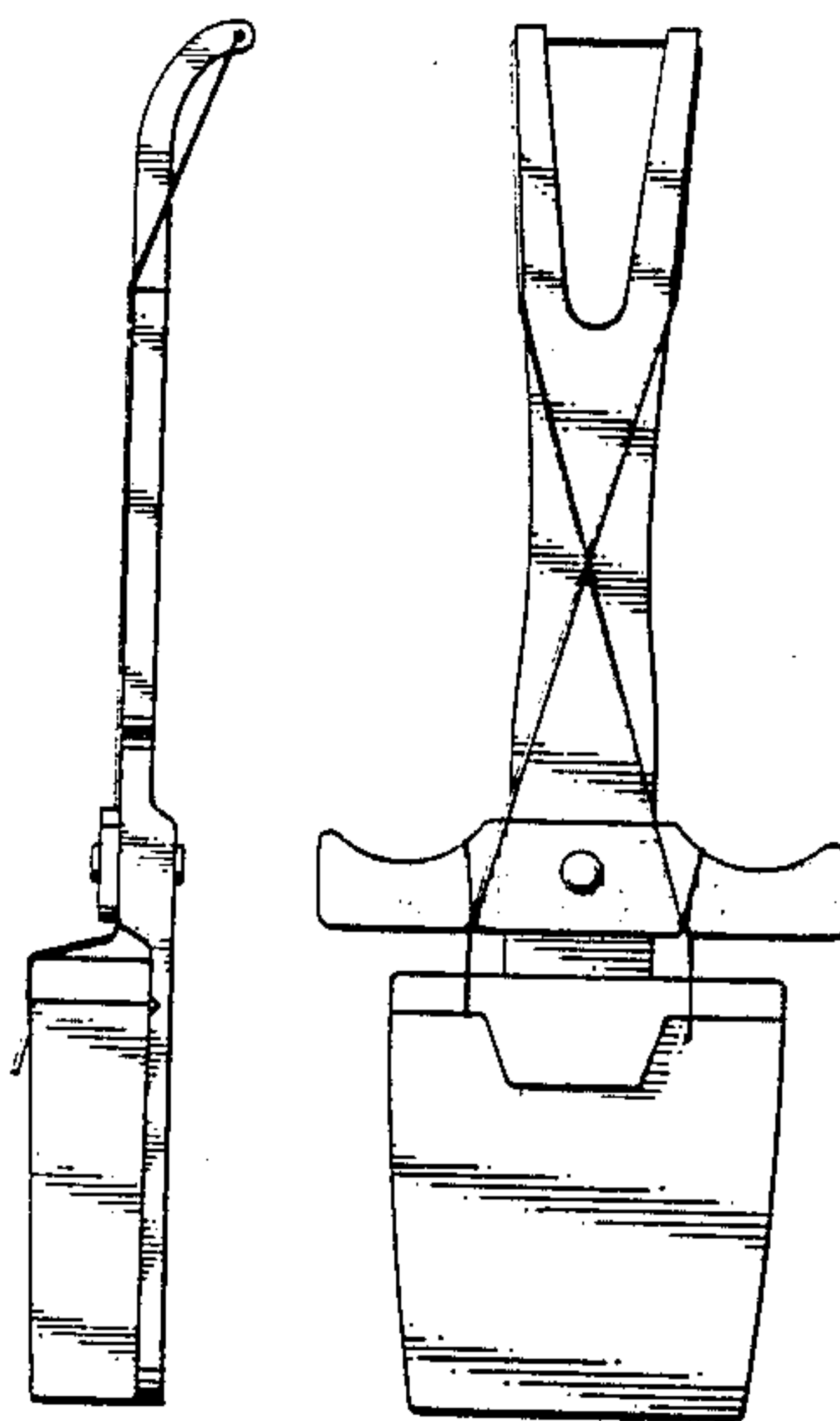


FIG. 1.

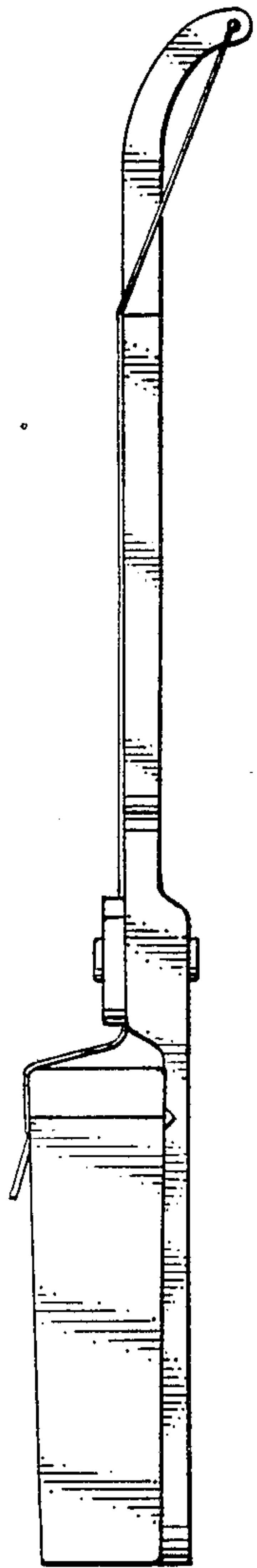


FIG. 3.

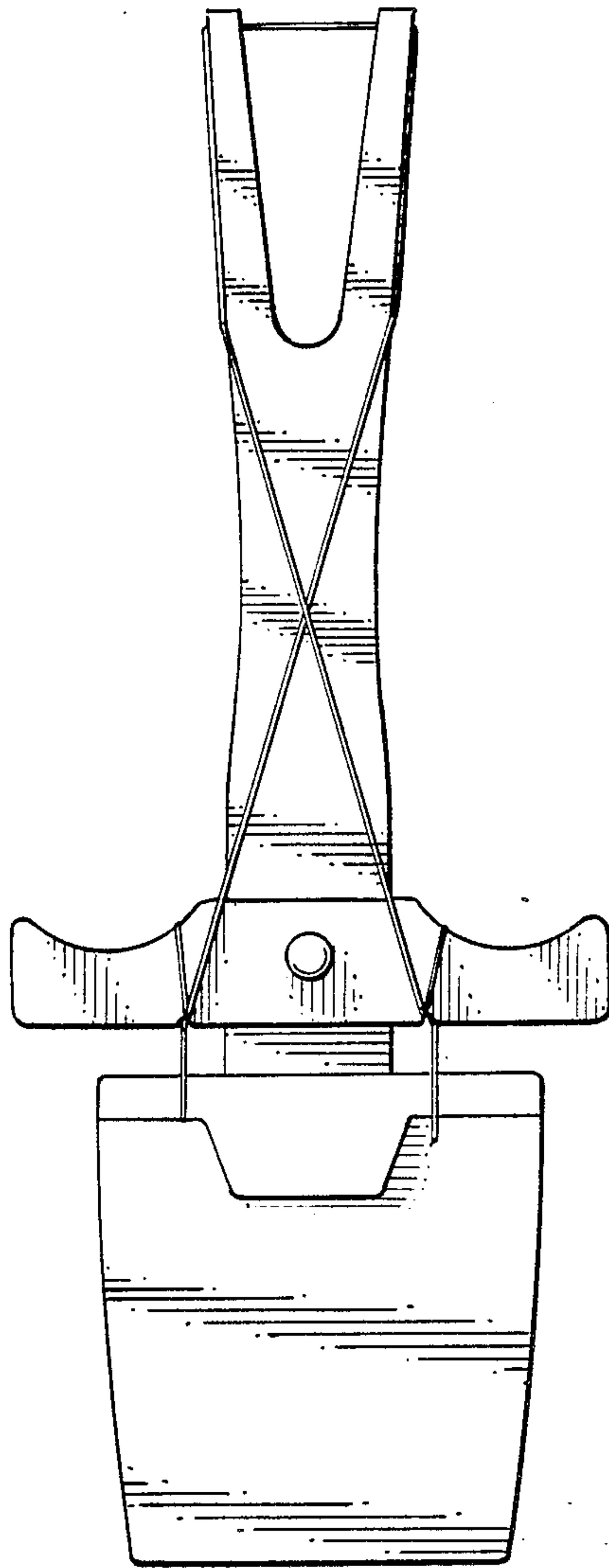


FIG. 4.

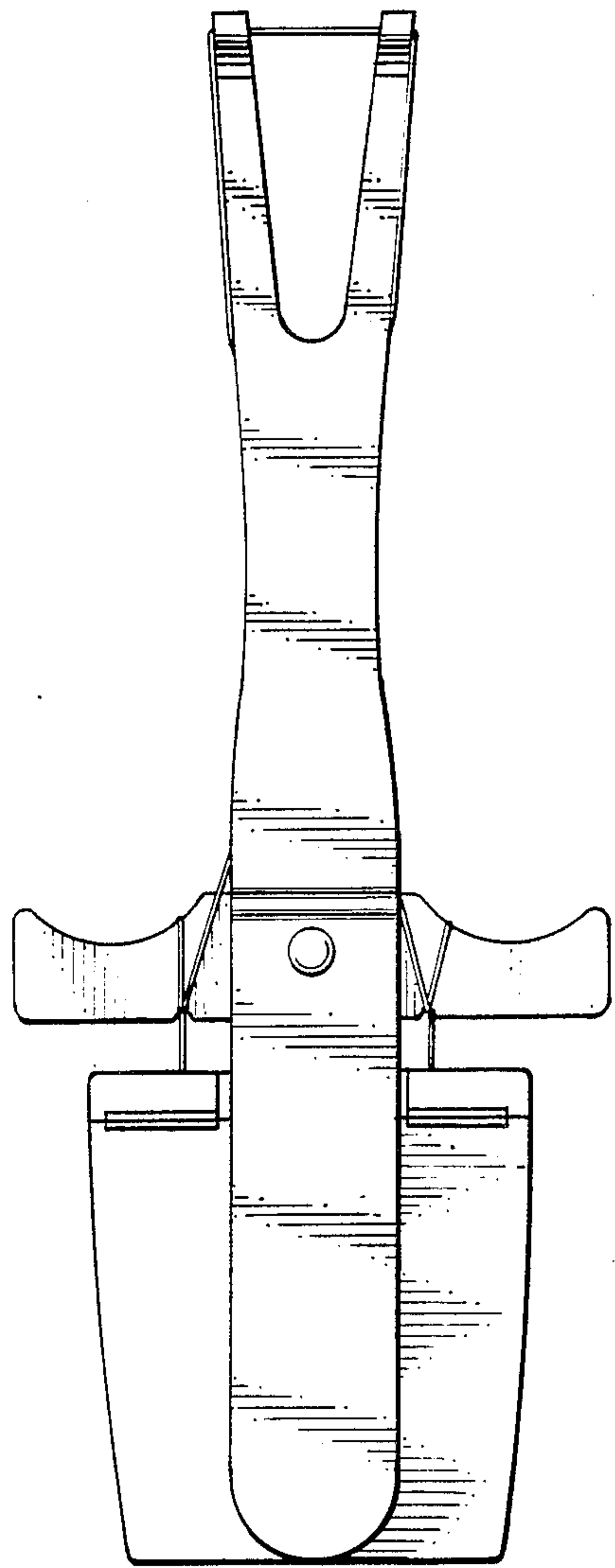


FIG. 2.

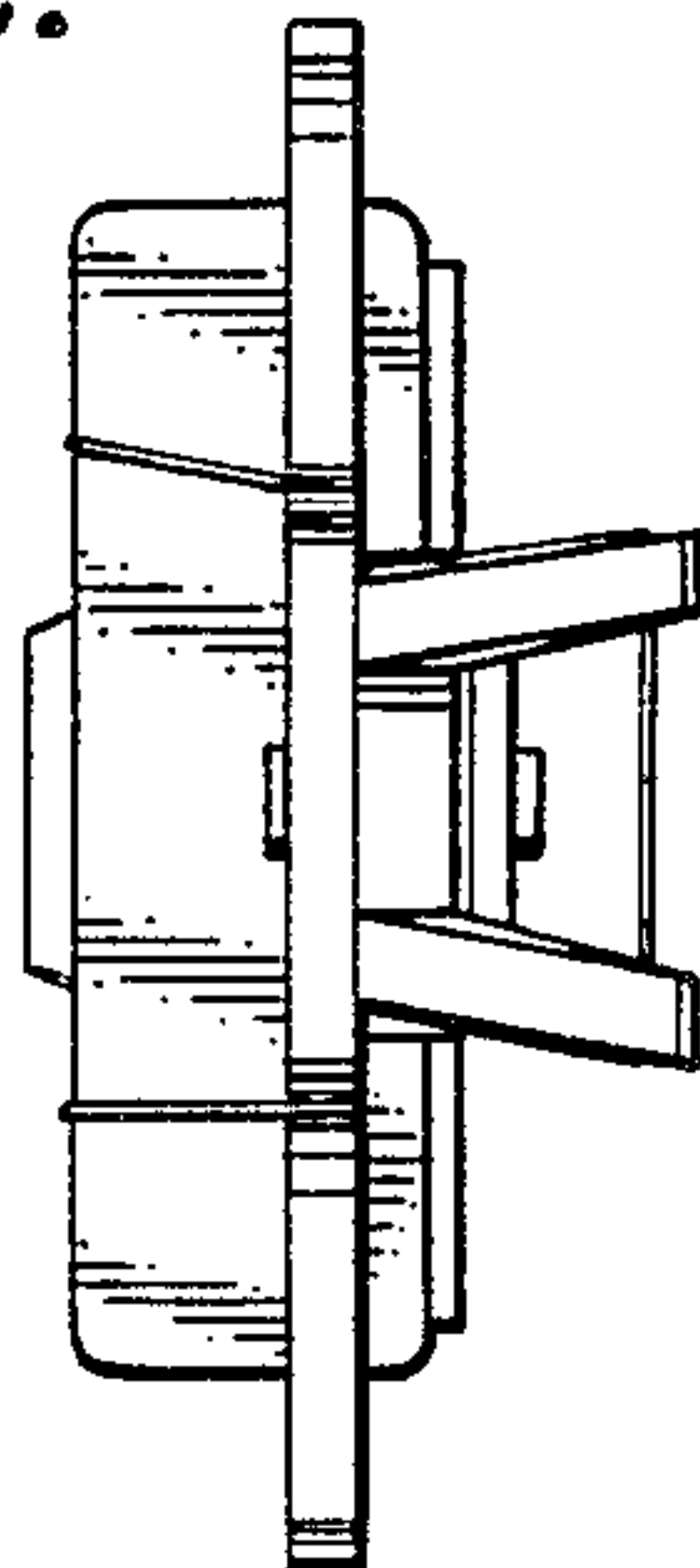


FIG. 5.

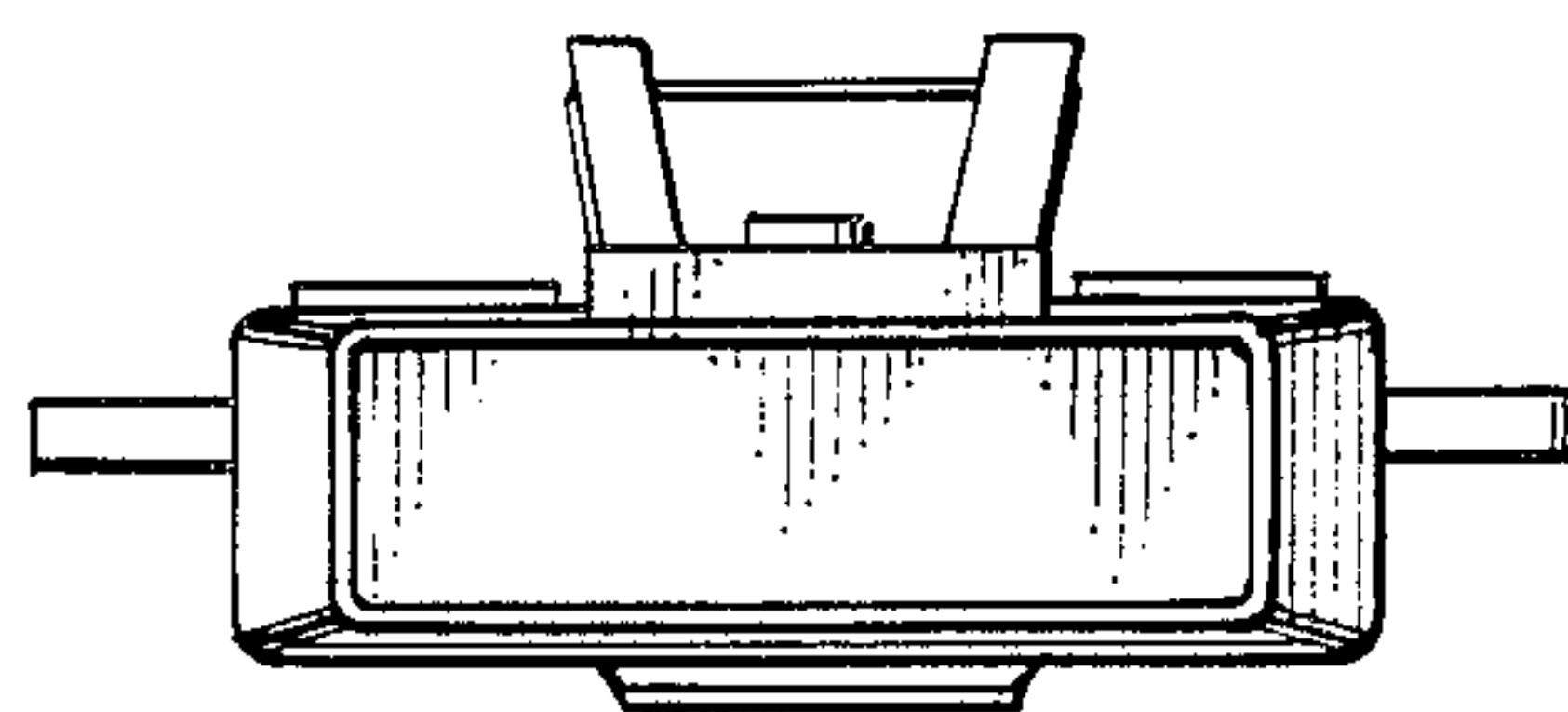


FIG. 6.

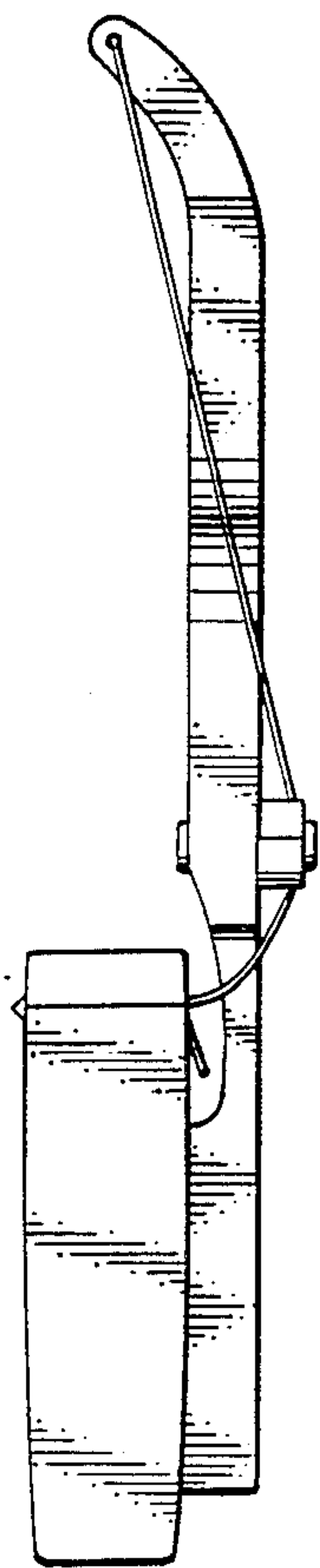


FIG. 8.

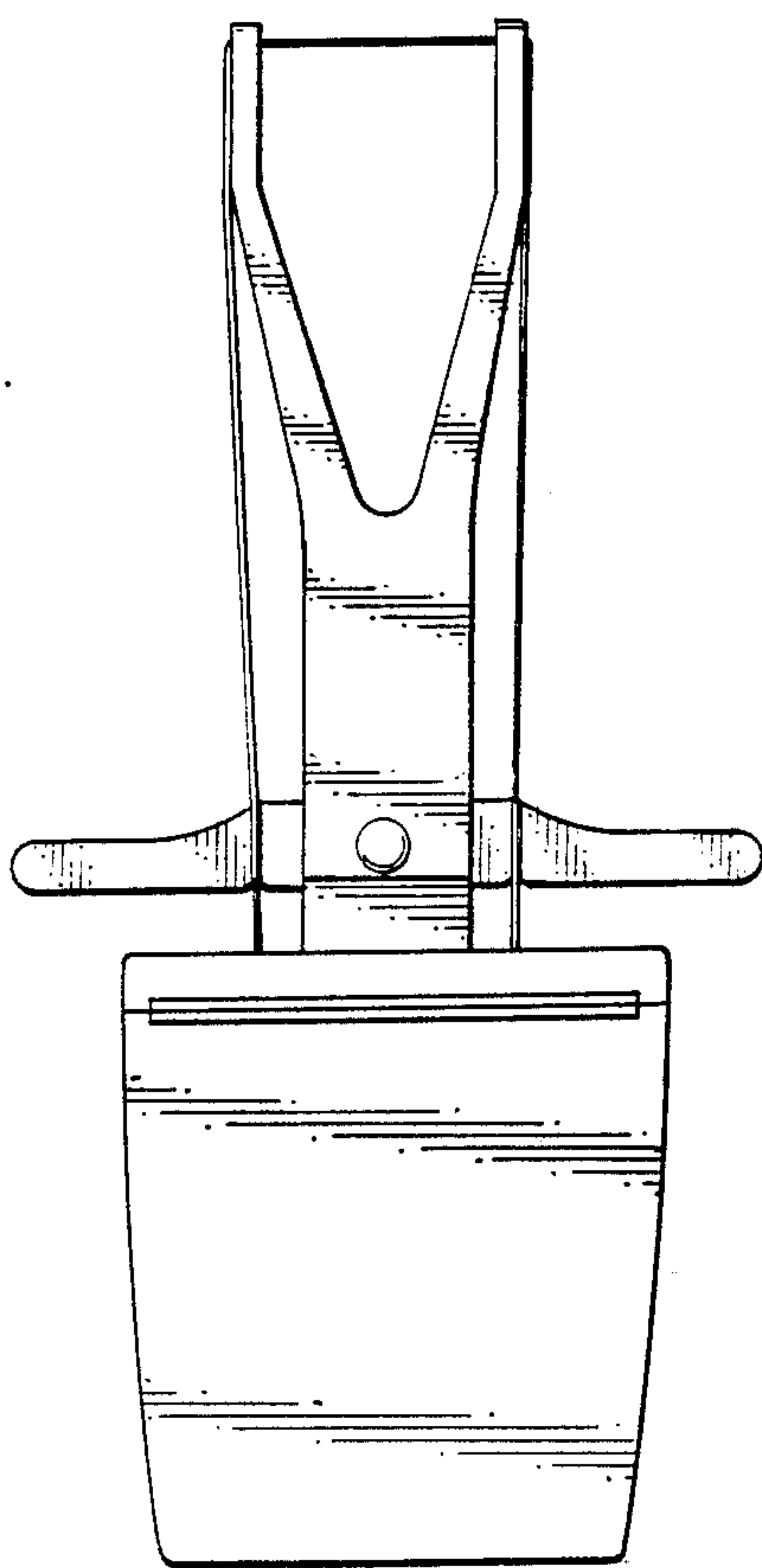


FIG. 9.

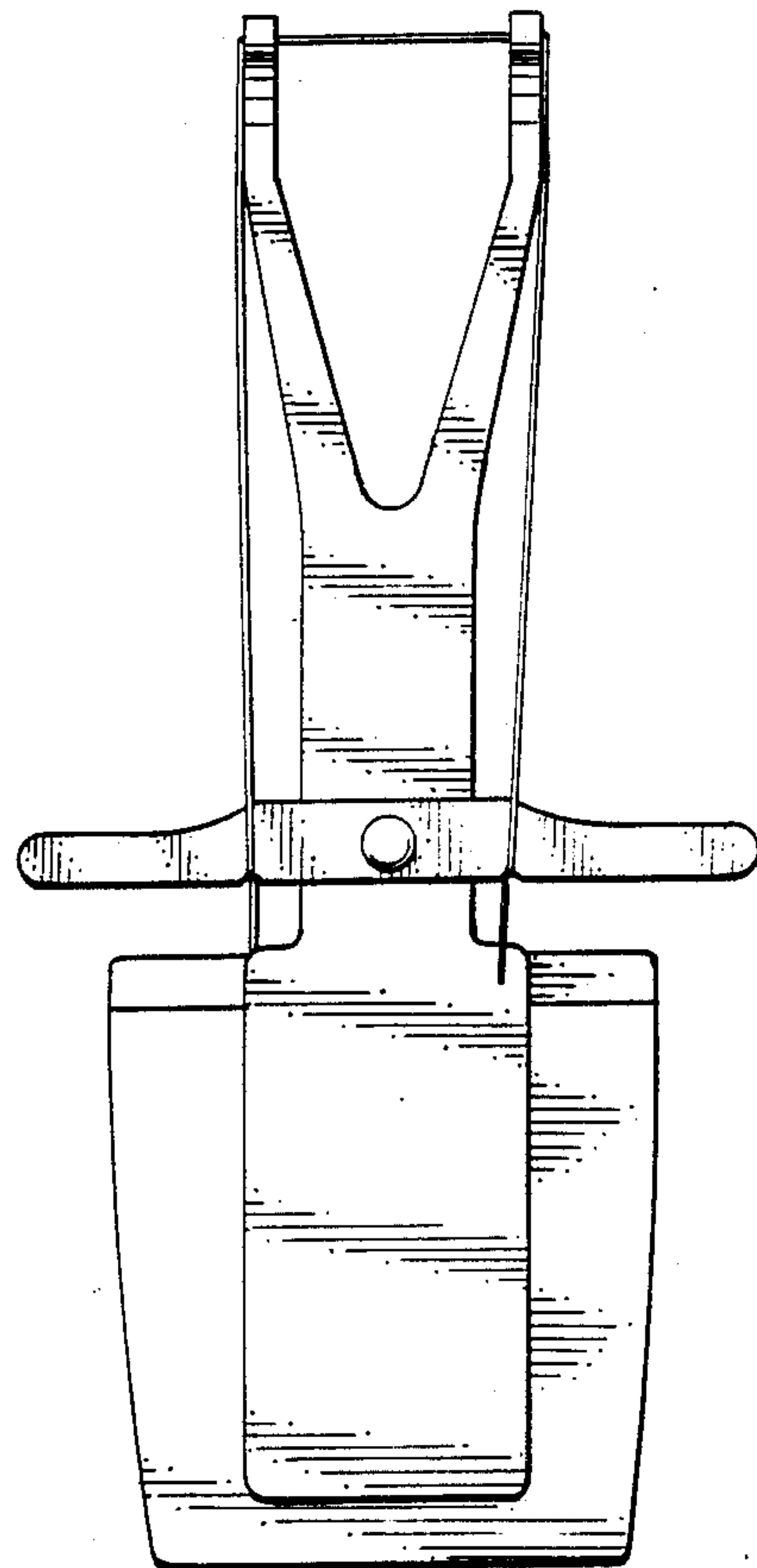


FIG. 7.

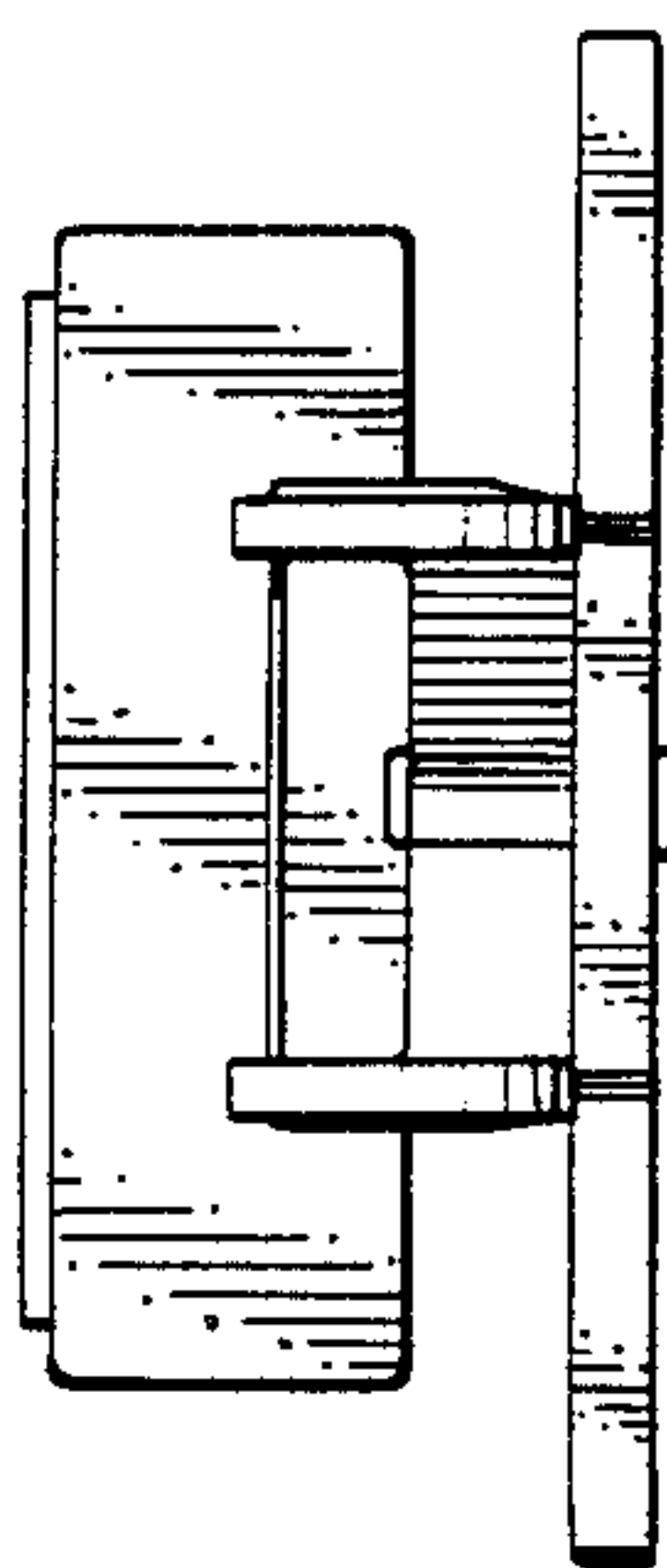


FIG. 10.

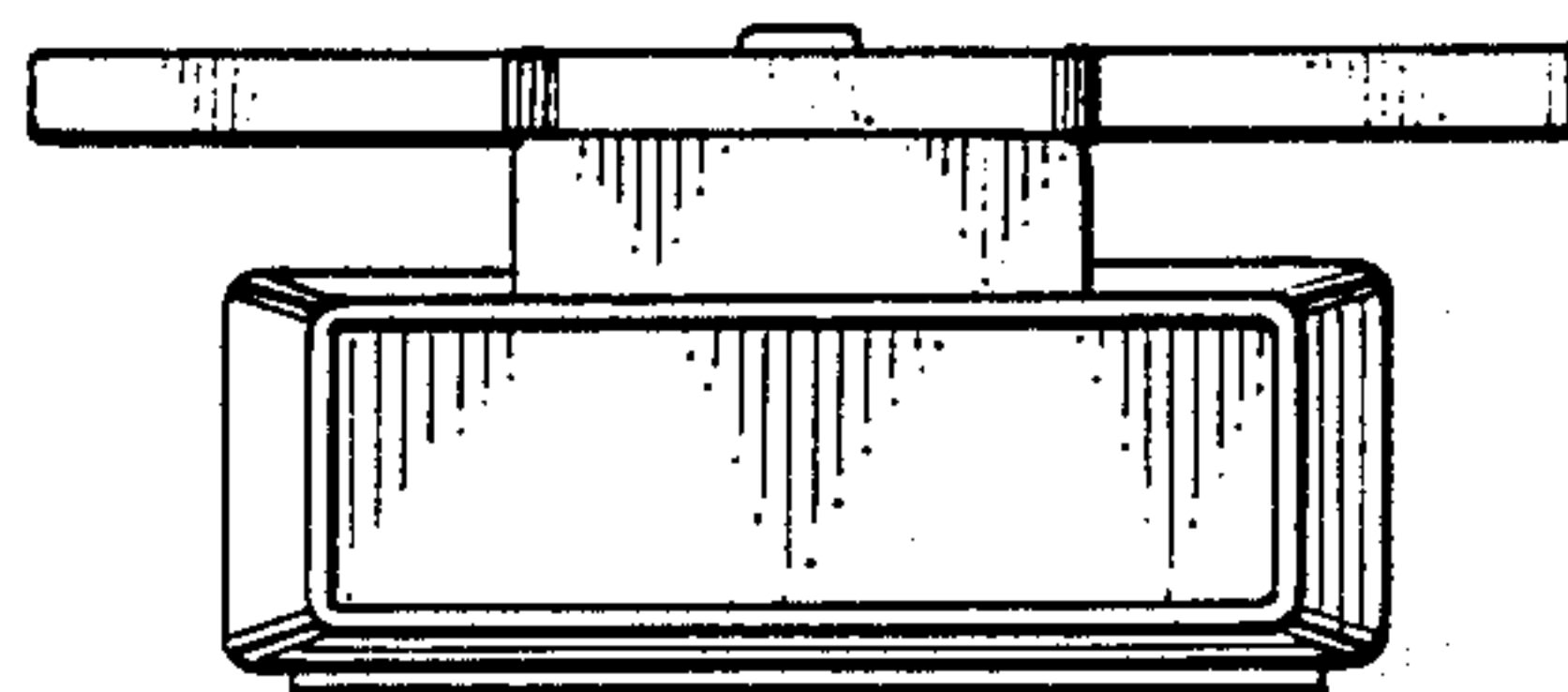


FIG. 11

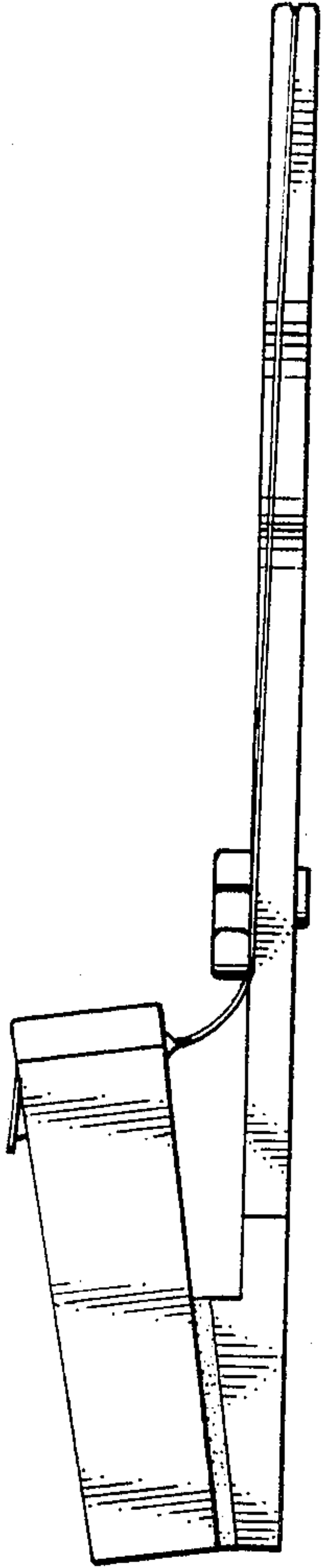


FIG. 12.

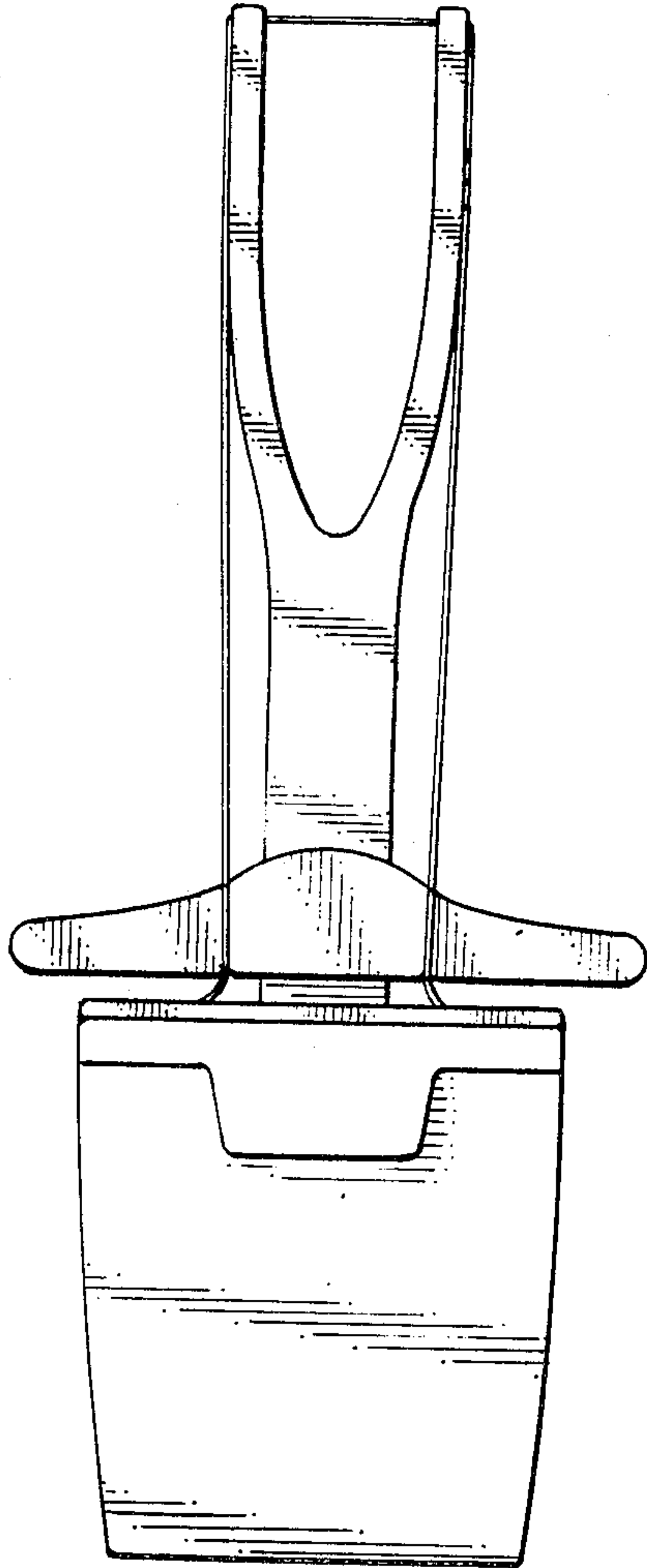


FIG. 13.

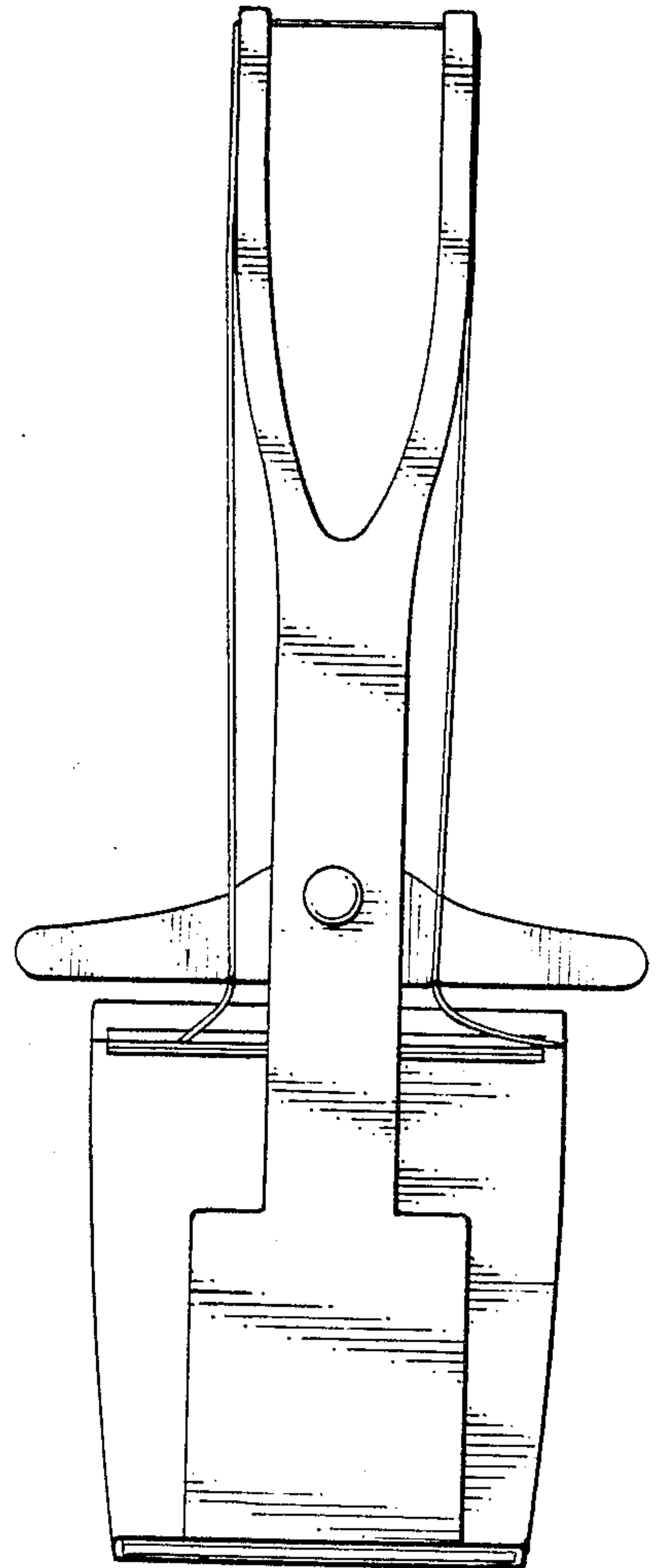


FIG. 14.

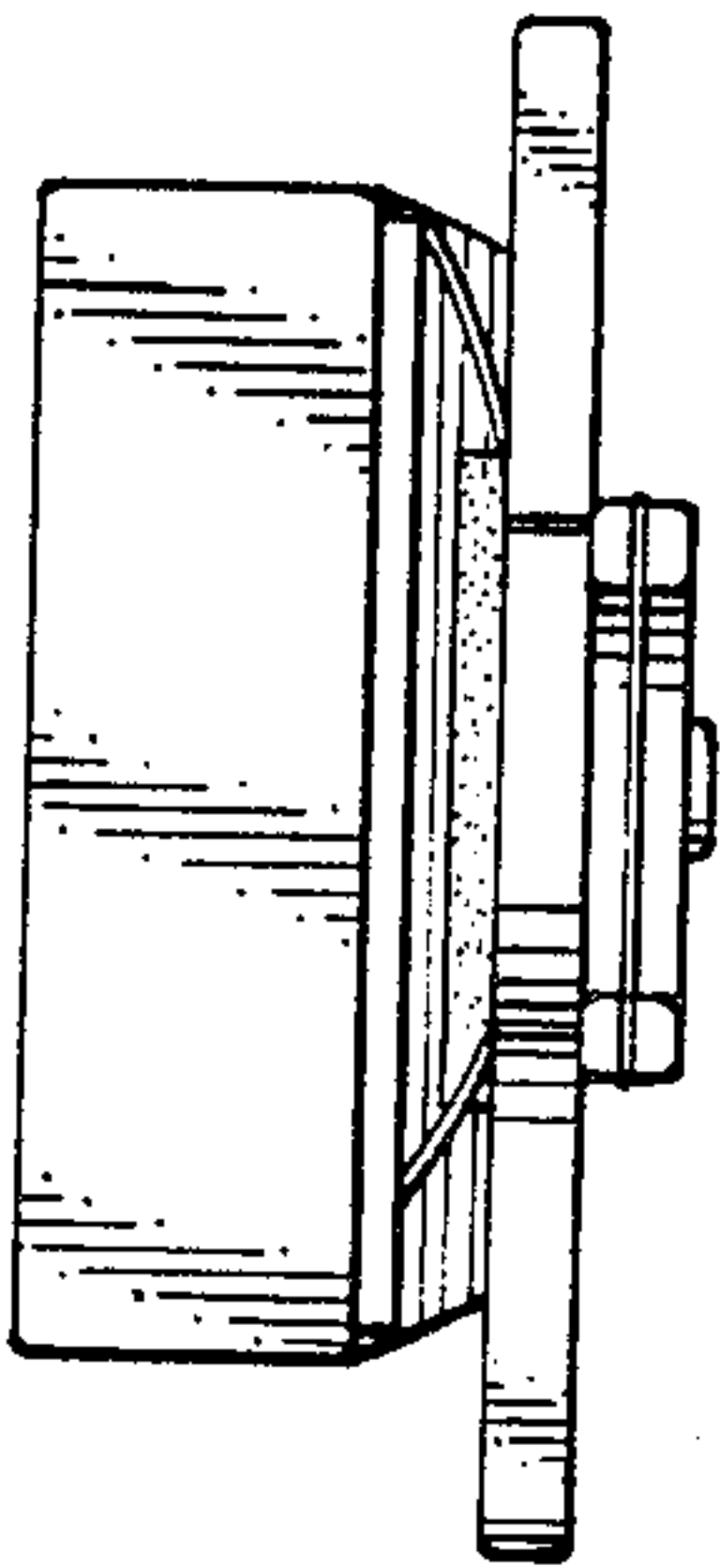


FIG. 15.

