

[54] LUMINAIRE

[75] Inventor: John W. Harvey, Newark, Ohio

[73] Assignee: Manville Corporation, Denver, Colo.

[*] Notice: The portion of the term of this patent subsequent to Jun. 10, 2000 has been disclaimed.

[**] Term: 14 Years

[21] Appl. No.: 649,469

[22] Filed: Sep. 12, 1984

[52] U.S. Cl. D26/67

[58] Field of Search 362/362, 310, 311, 297, 362/431; D26/67-71

[56] References Cited

U.S. PATENT DOCUMENTS

D. 189,209 11/1960 Harling D26/67

D. 199,267 9/1964 Harling D26/67
D. 199,409 10/1964 Van Steenhoven D26/67
D. 284,223 6/1986 Harvey D26/67
3,610,919 10/1971 Wimpisinger 362/311 X

FOREIGN PATENT DOCUMENTS

692325 8/1964 Canada 362/431

Primary Examiner—Susan J. Lucas
Attorney, Agent, or Firm—John D. Lister; Cornelius P. Quinn

[57] CLAIM

The ornamental design for a luminaire, as shown and described.

DESCRIPTION

FIG. 1 is a perspective view of a luminaire showing my new design;
FIG. 2 is a front elevational view thereof, the rear and sides being mirror images;
FIG. 3 is a top perspective view thereof.

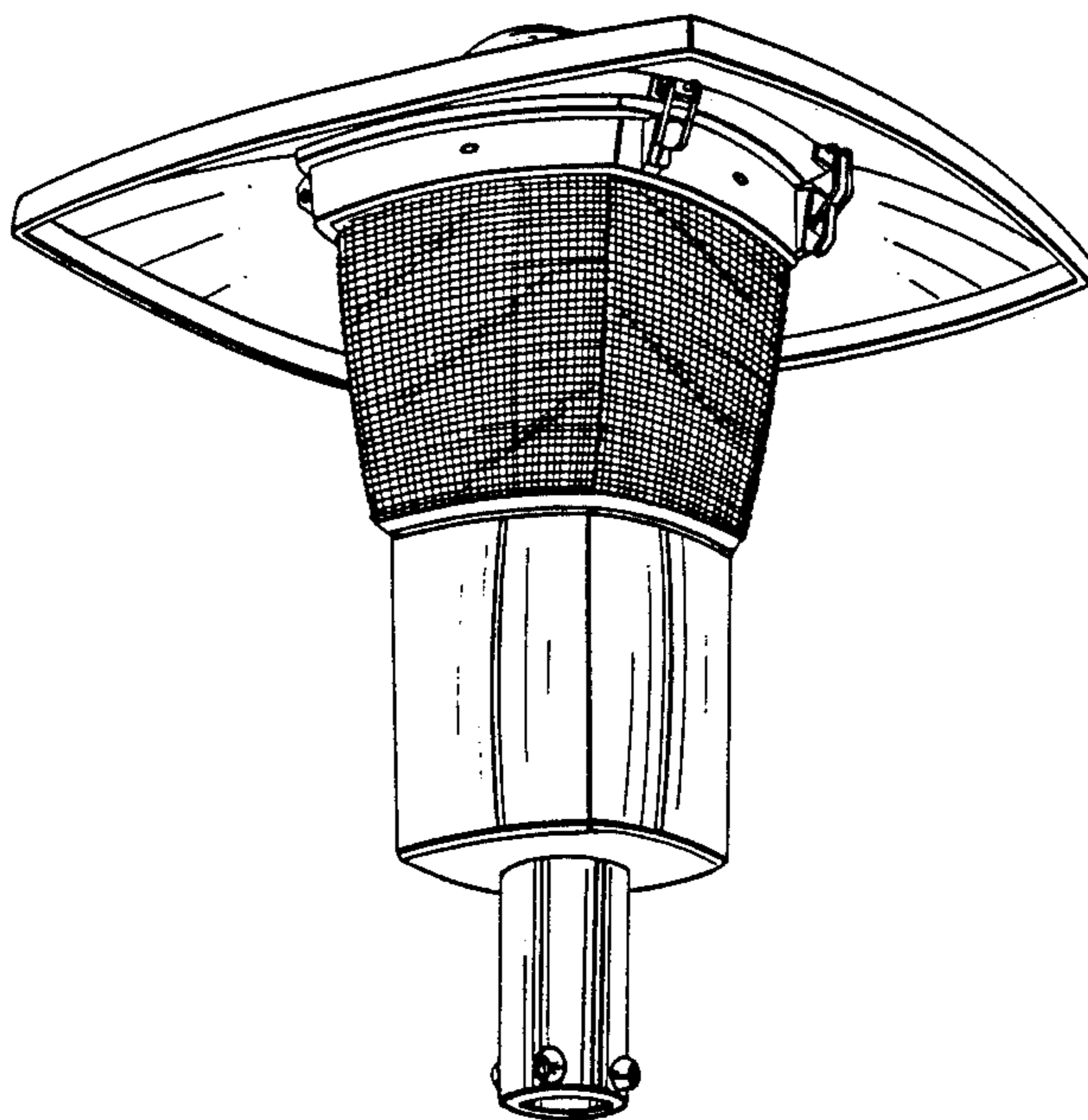


Fig. 1.

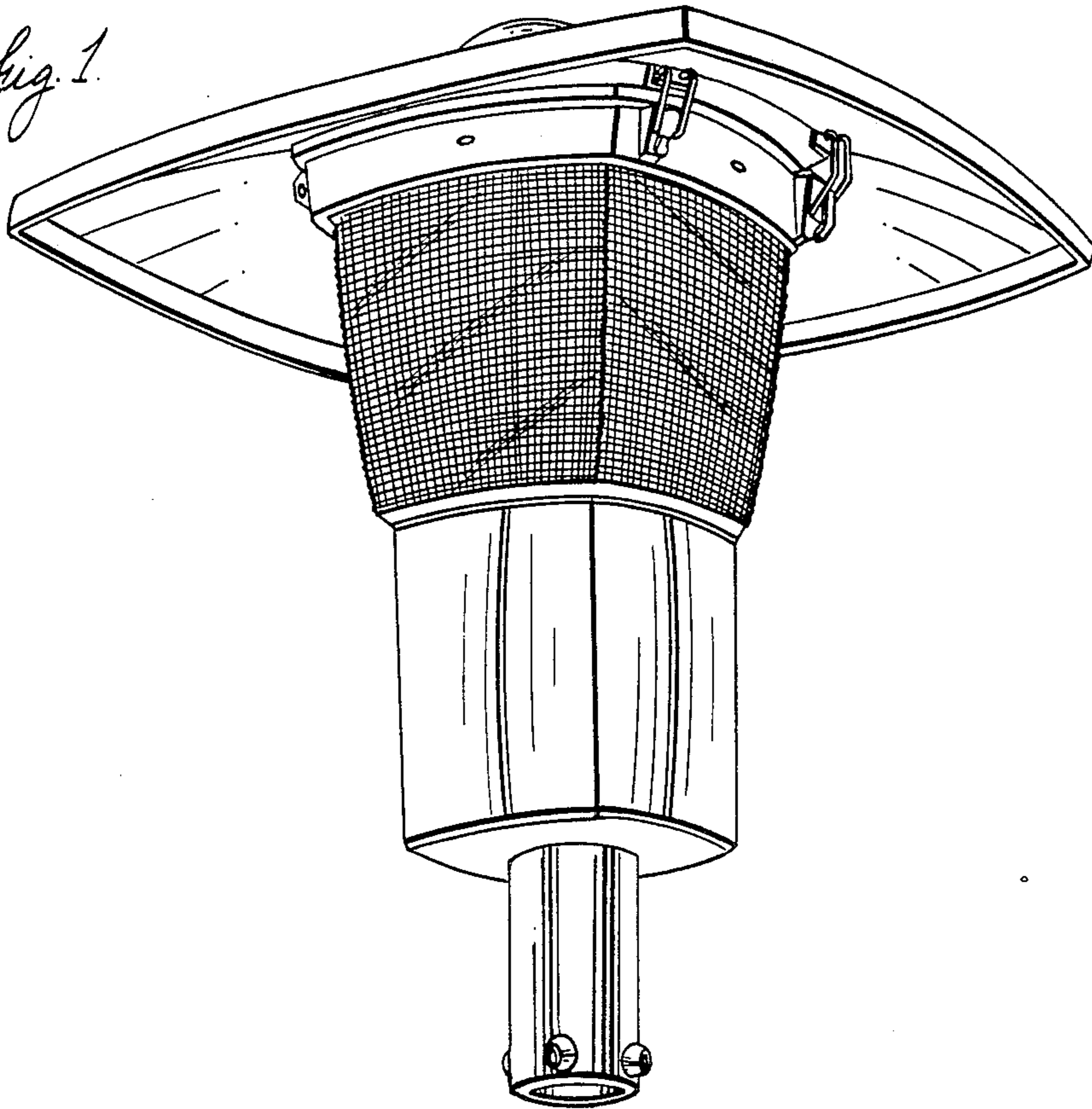
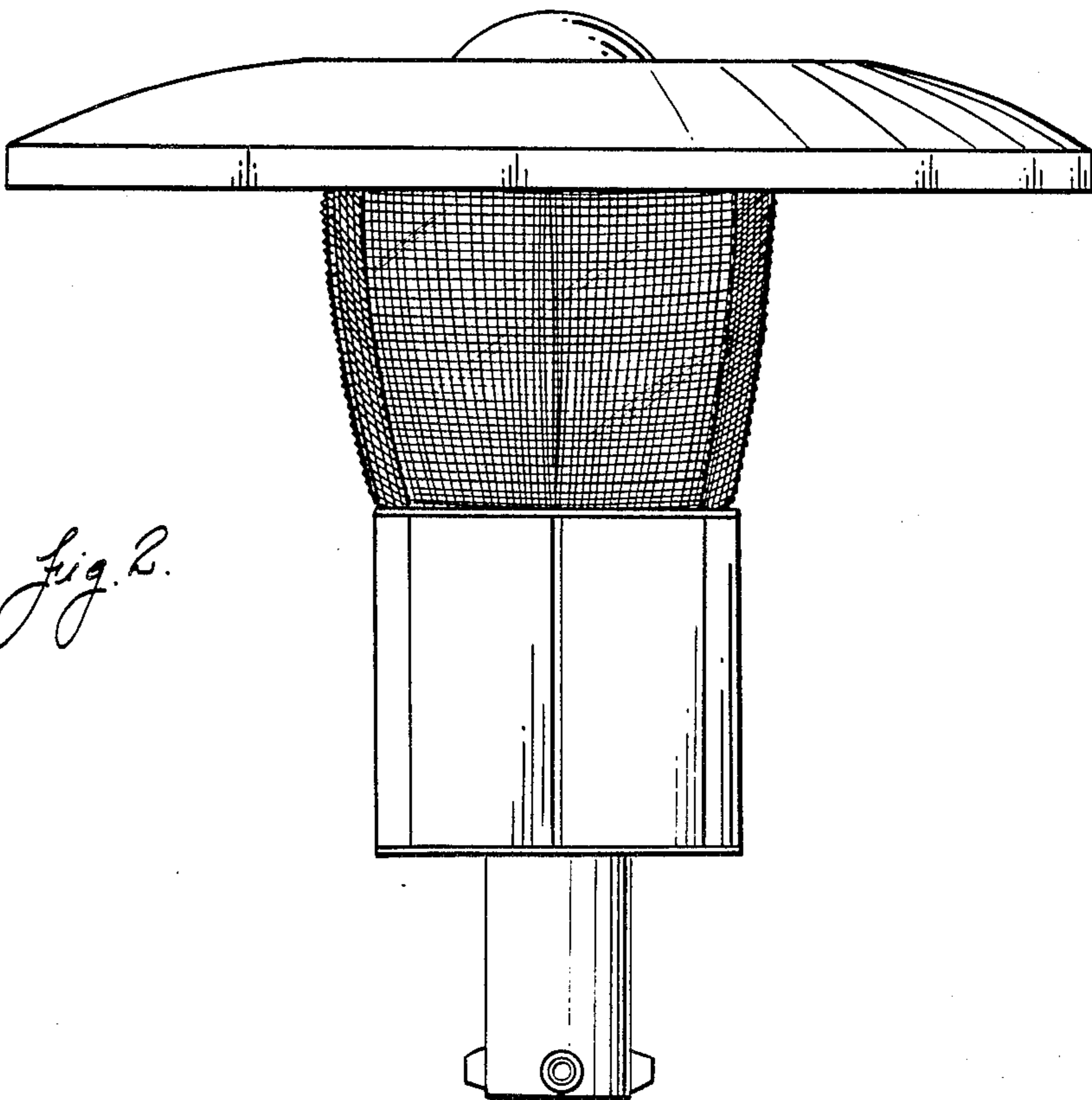


Fig. 2.



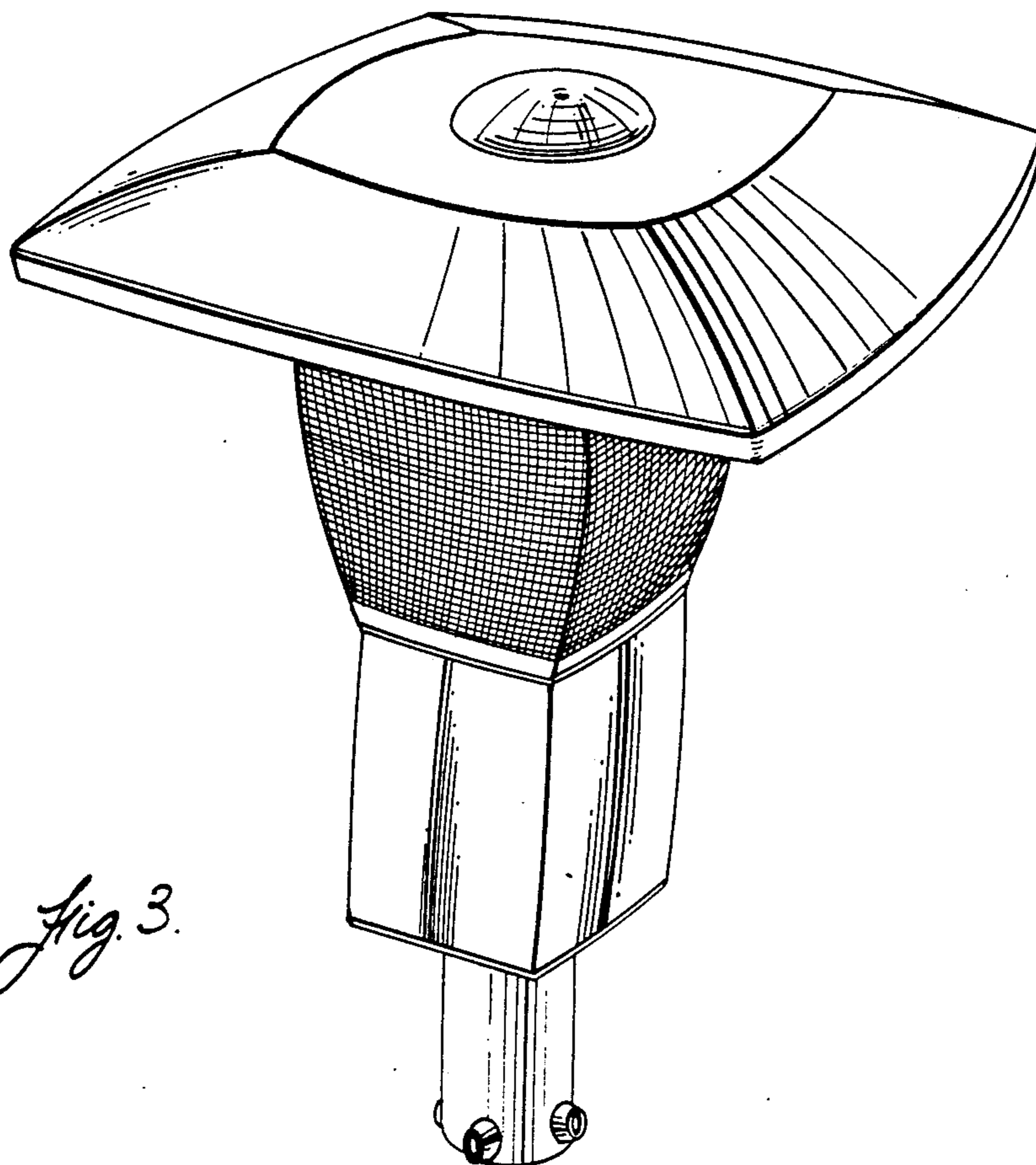


Fig. 3.