

[54] "U" TURN SIGNALING DEVICE

[76] Inventor: Jim Fowler, 16603 Shenandoah, Cerritos, Calif. 90701

[**] Term: 14 Years

[21] Appl. No.: 885,189

[22] Filed: Jul. 14, 1986

[52] U.S. Cl. D26/30; D10/114

[58] Field of Search D10/109, 111, 114; D26/28, 30, 31, 32; 40/591, 592, 593; 116/28 R, 35 R, 42, 47-49; 340/81 R, 84, 107, 108; 362/61

[56] References Cited

U.S. PATENT DOCUMENTS

- D. 267,161 12/1982 Goldman D11/131
- D. 280,666 9/1985 Haynes D26/30 X

OTHER PUBLICATIONS

Symbol Sourcebook-Dreyfuss- ©1972-p. 145-"No U-turn" sign.

Primary Examiner—Catherine E. Kemper
Attorney, Agent, or Firm—Howard A. Kenyon

[57] CLAIM

The ornamental design for a "U" turn signaling device, as shown.

DESCRIPTION

FIG. 1 is a front perspective view of a "U" turn signaling device, showing my new design;
 FIG. 2 is a rear perspective view thereof;
 FIG. 3 is a front elevational view thereof;
 FIG. 4 is a left side elevational view thereof;
 FIG. 5 is a right side elevational view thereof;
 FIG. 6 is a top plan view thereof;
 FIG. 7 is a bottom plan view thereof.

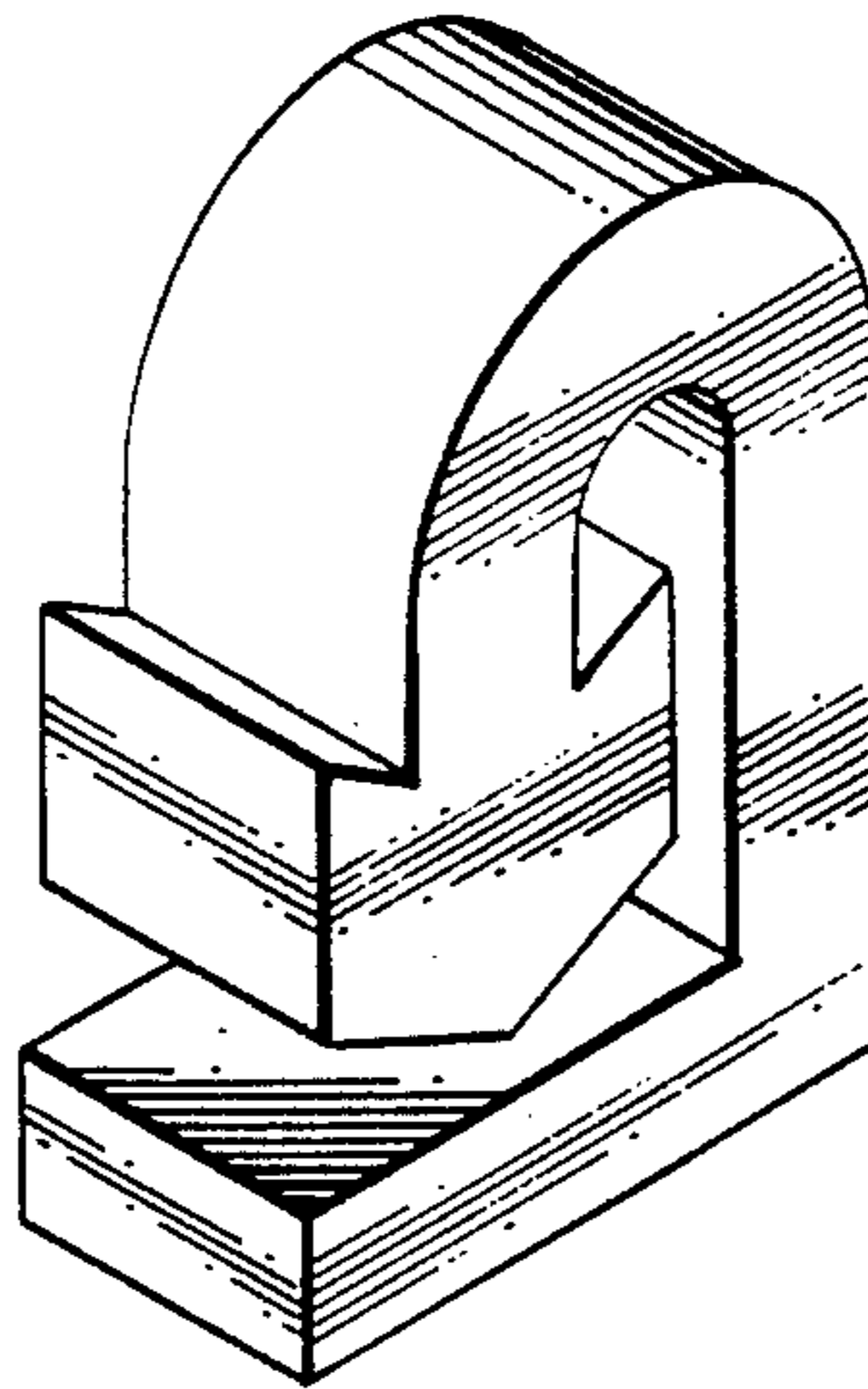


FIG. 1

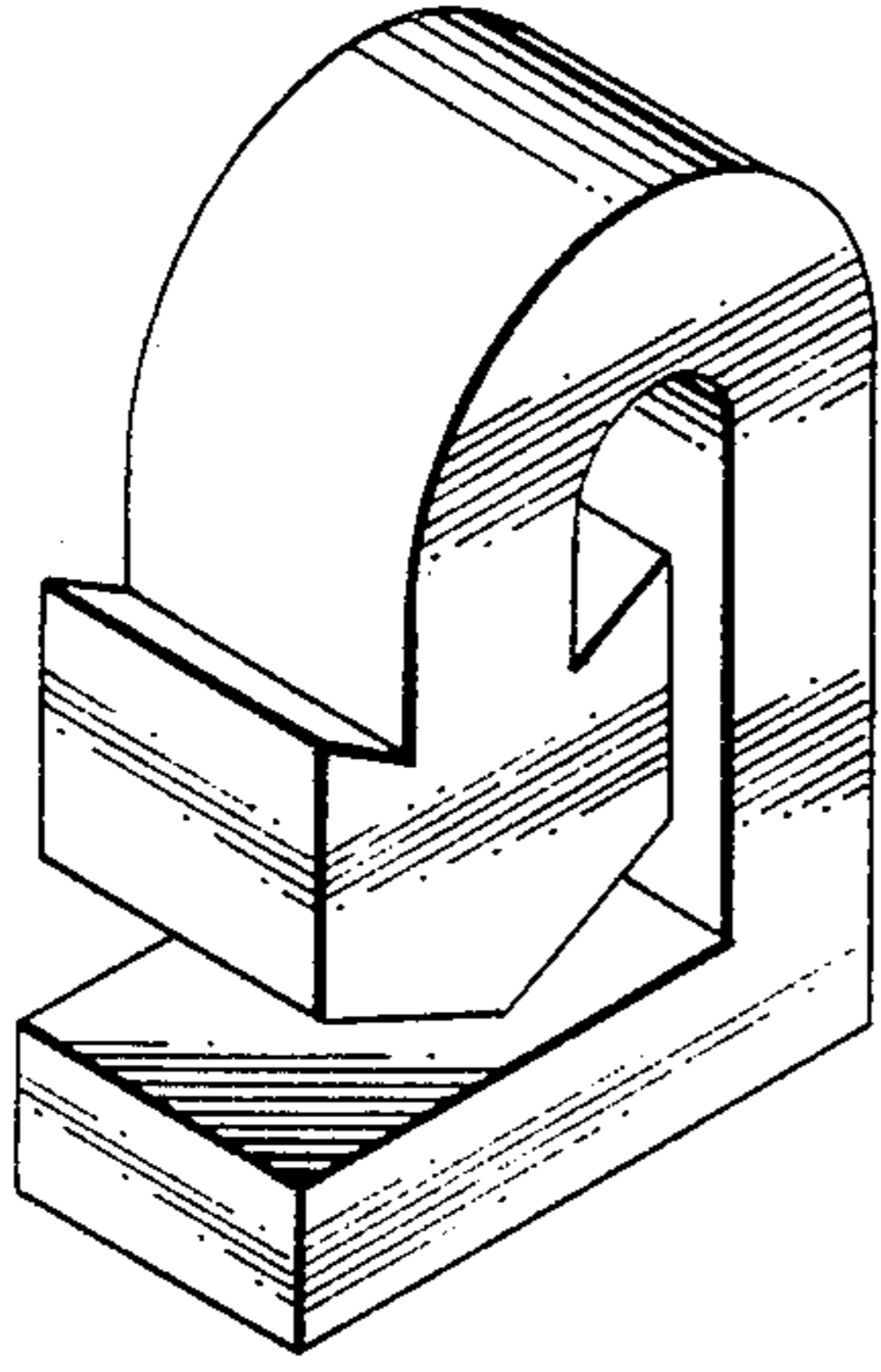


FIG. 2

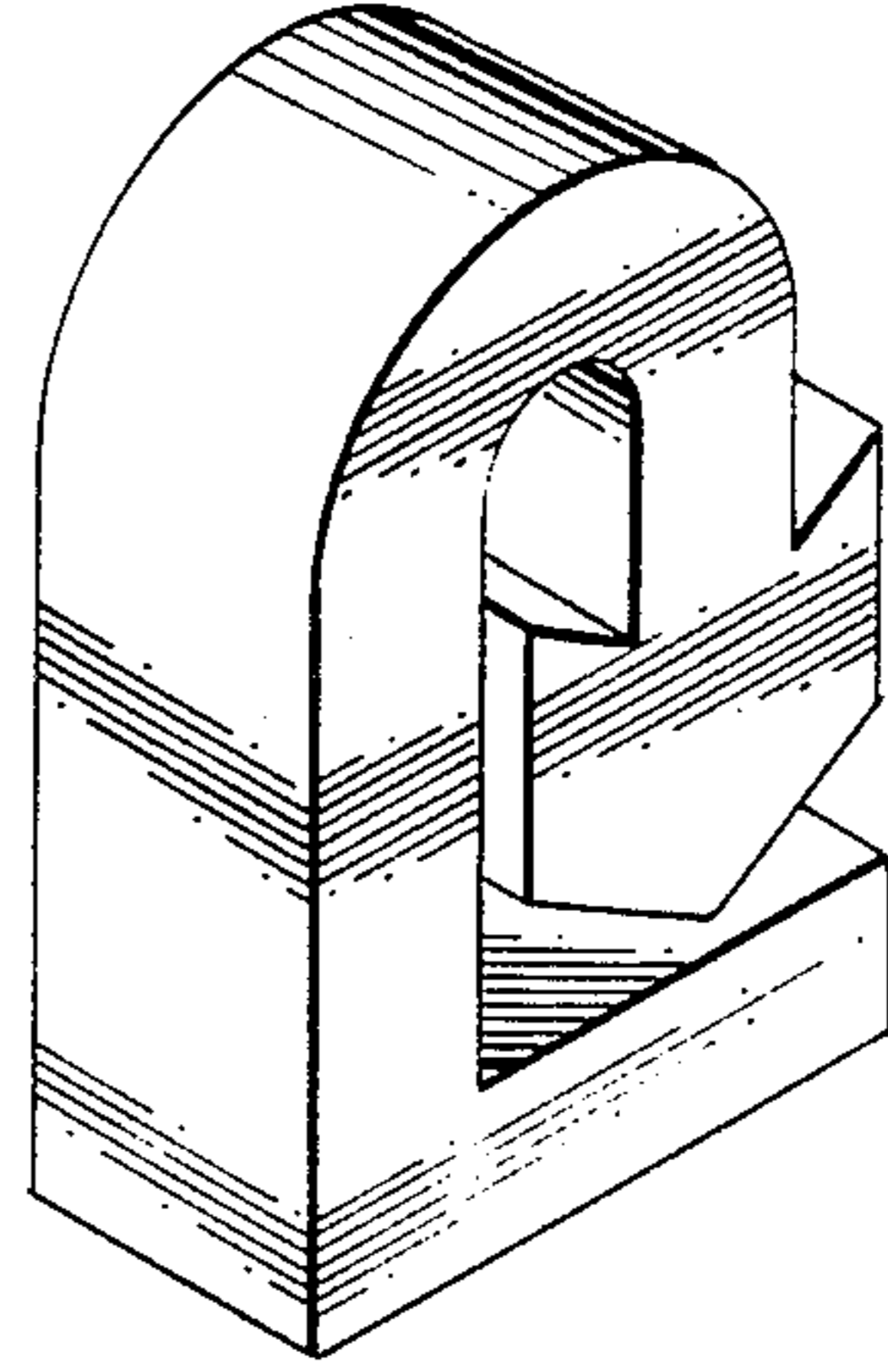


FIG. 3

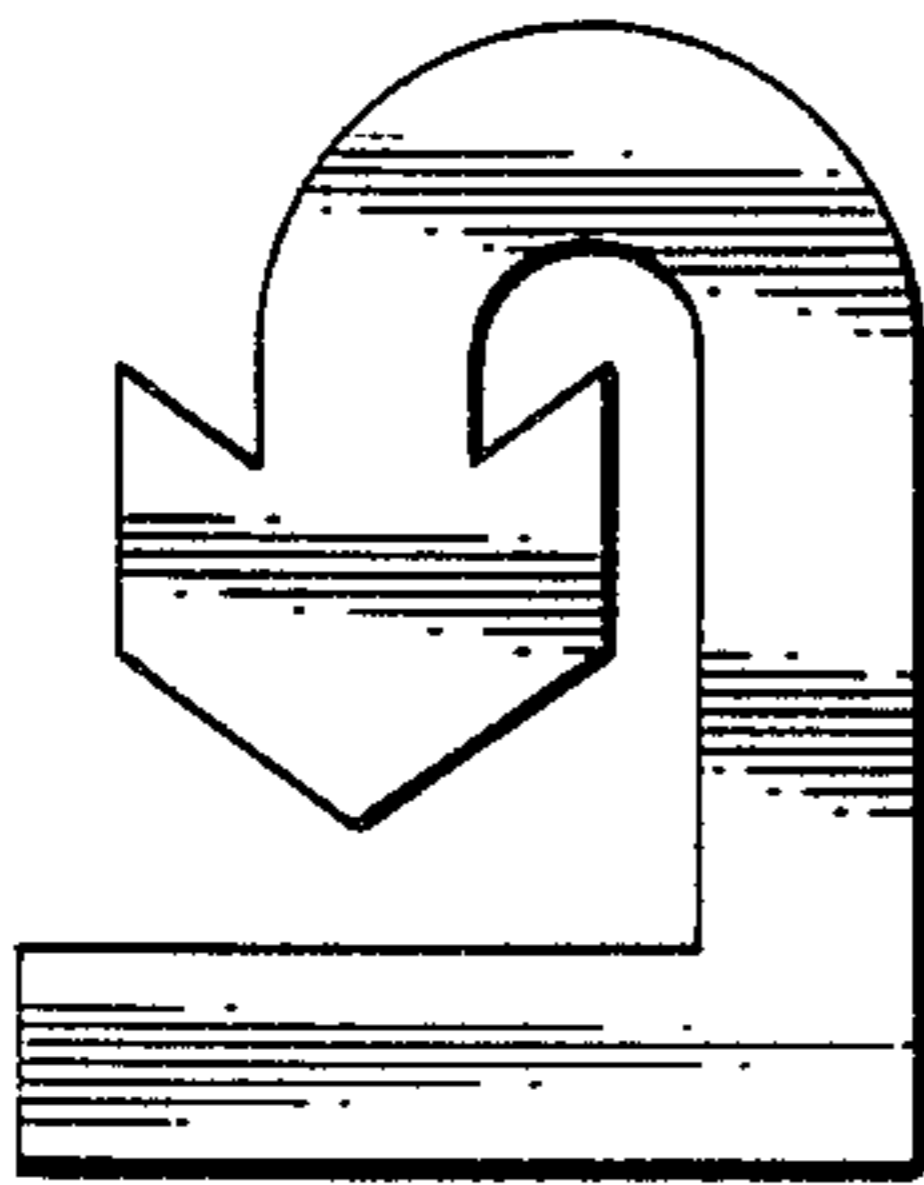


FIG. 4

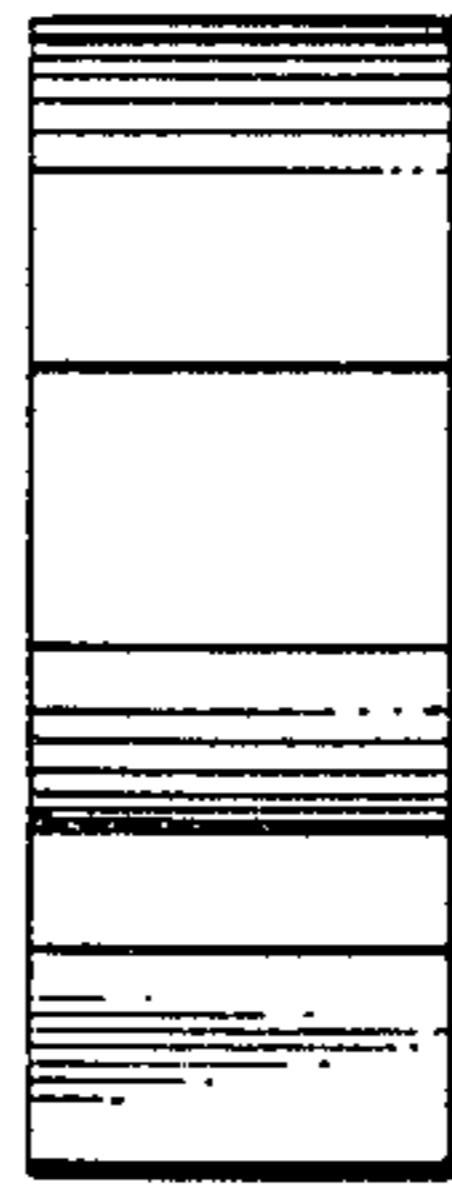


FIG. 5

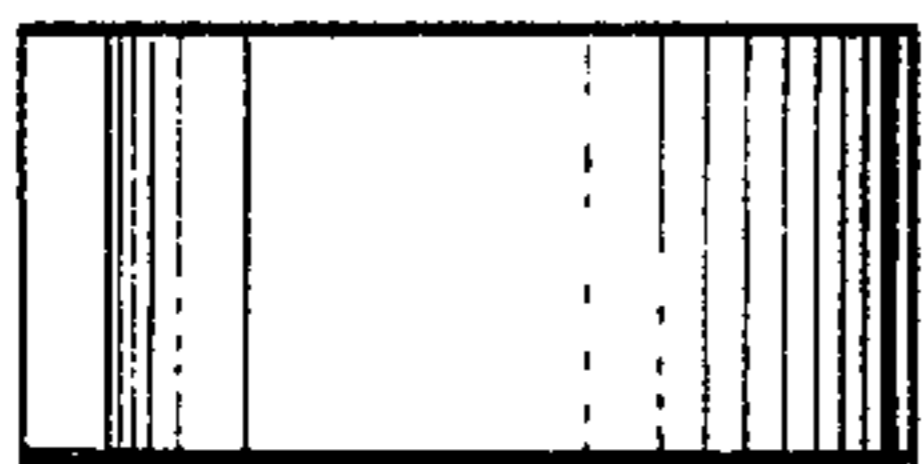
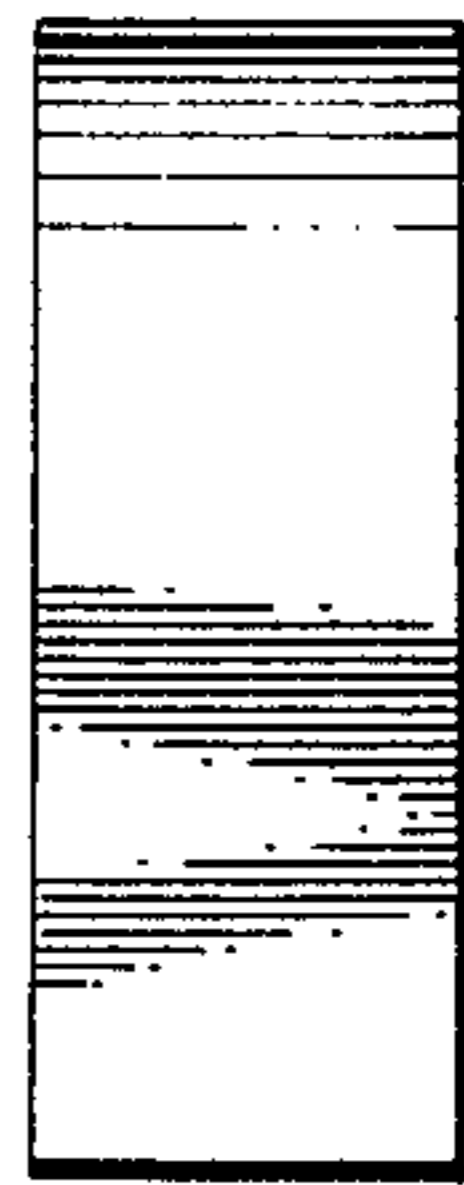


FIG. 6



FIG. 7