

[54] COMBINED WATERSTOP AND FIBERBOARD HOLDERS FOR STAY-IN-PLACE CONTINUOUS FORMS FOR CONCRETE WALL FRABRICATION

[76] Inventor: Gerald G. Conti, 62 Henshaw Ave., Springfield, N.J. 07081

[**] Term: 14 Years

[21] Appl. No.: 809,420

[22] Filed: Dec. 16, 1985

[52] U.S. Cl. D25/125

[58] Field of Search D25/119, 120, 121, 125, D25/136, 164; 52/396, 127.3, 2 A

[56] References Cited

U.S. PATENT DOCUMENTS

3,114,219 12/1963 Bradley D25/125

FOREIGN PATENT DOCUMENTS

2485903 1/1982 France D25/119

OTHER PUBLICATIONS

Paul Murphy Plastics Co. Wirestop Waterstops bro-

chure, ©1984, p. 3, Wirestop Waterstop No. FR-6380 & CR-6380.

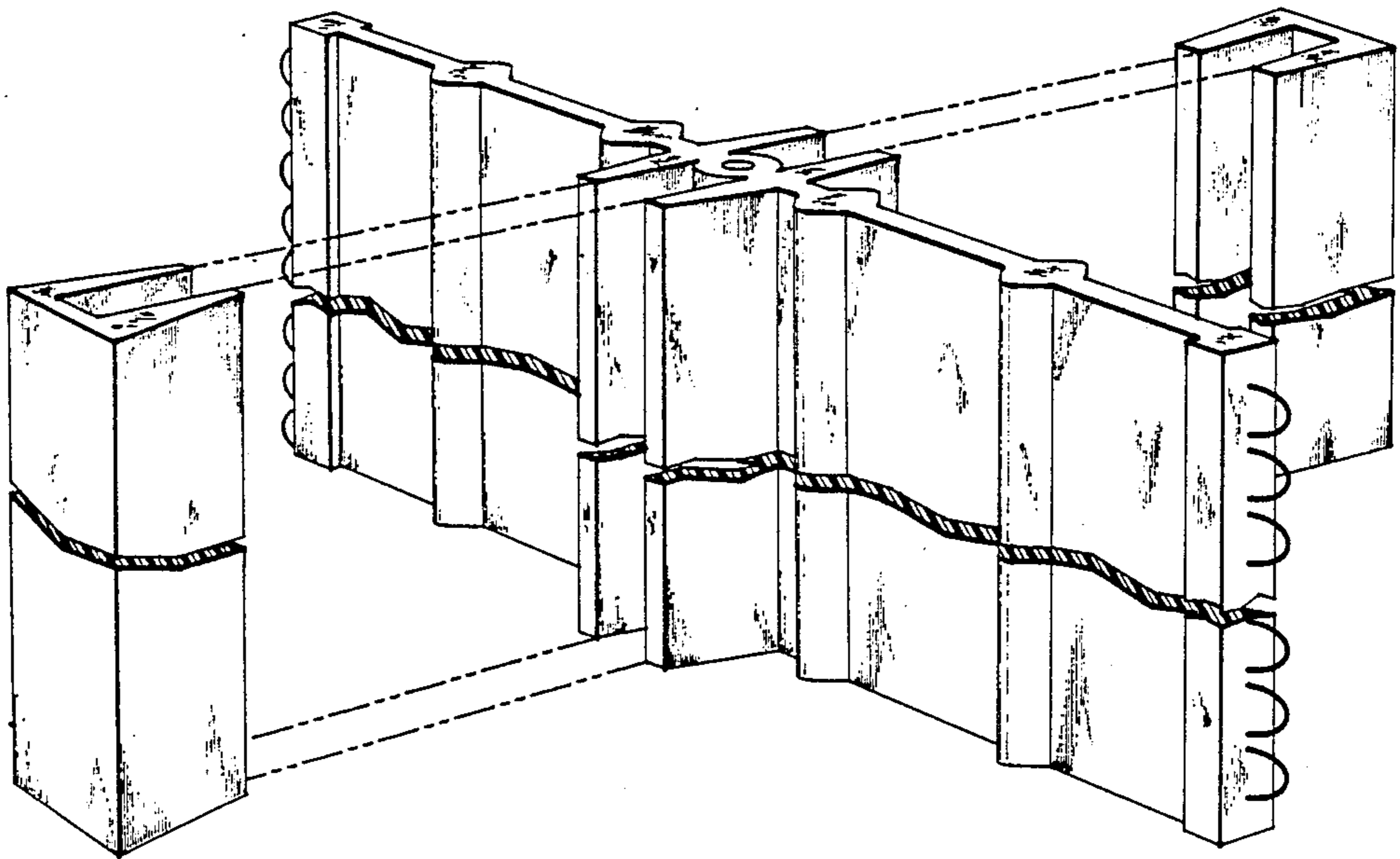
Primary Examiner—James M. Gandy
Attorney, Agent, or Firm—Martha G. Pugh

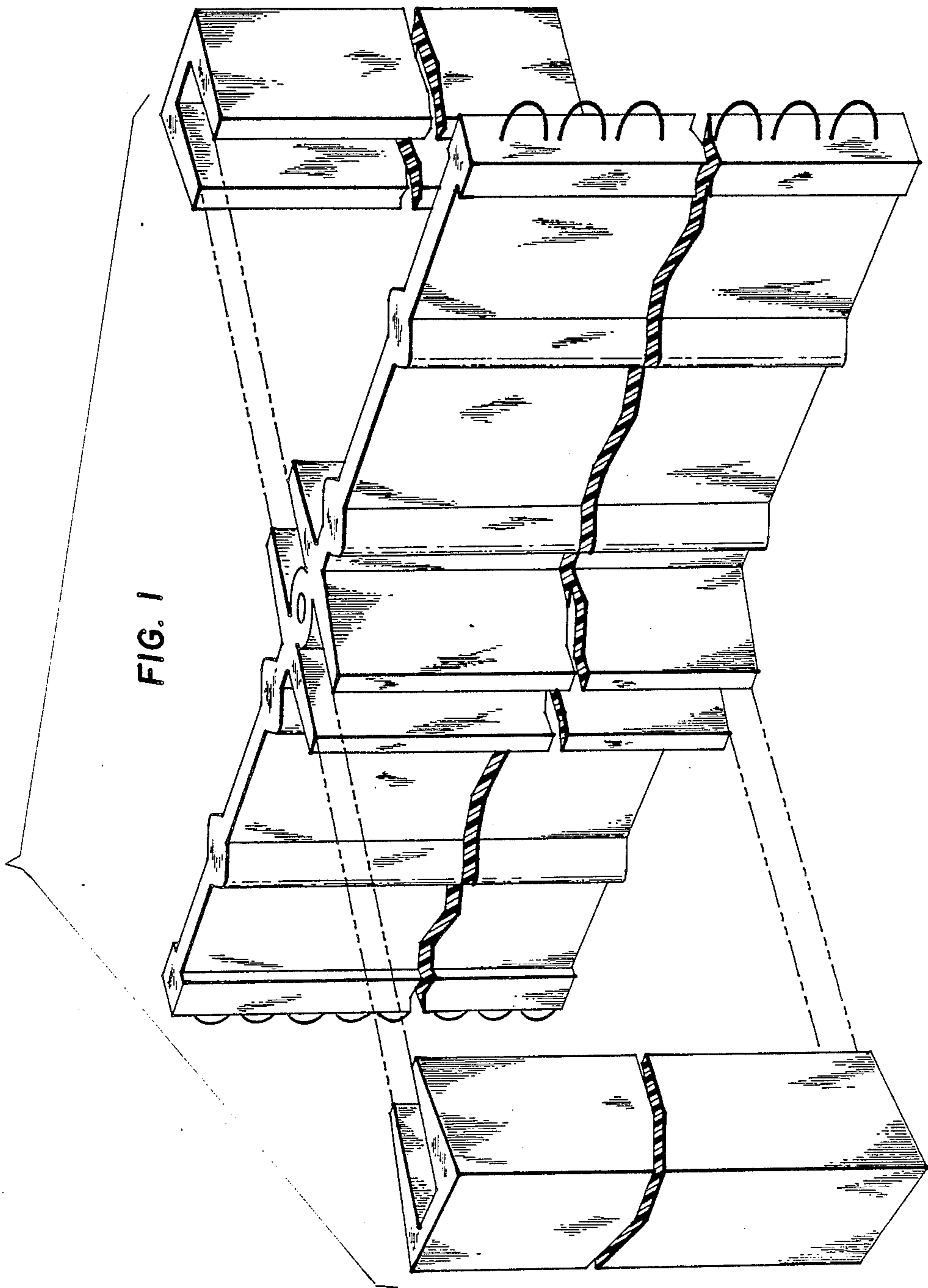
[57] CLAIM

The ornamental design for a combined waterstop and fiberboard holders for stay-in-place continuous forms for concrete wall fabrication, as shown and described.

DESCRIPTION

FIG. 1 is a perspective view of the combined waterstop and fiberboard holders for stay-in-place continuous forms for concrete wall fabrication shown broken away in the middle to indicate indeterminate length it being understood that the broken lines are for illustrative purposes only and form no part of the claimed design; FIG. 2 is a top or bottom plan view thereof; FIG. 3 is an elevation view of either side of the waterstop thereof shown separately for clarity of illustration; and FIG. 4 is an elevation view of either end thereof.





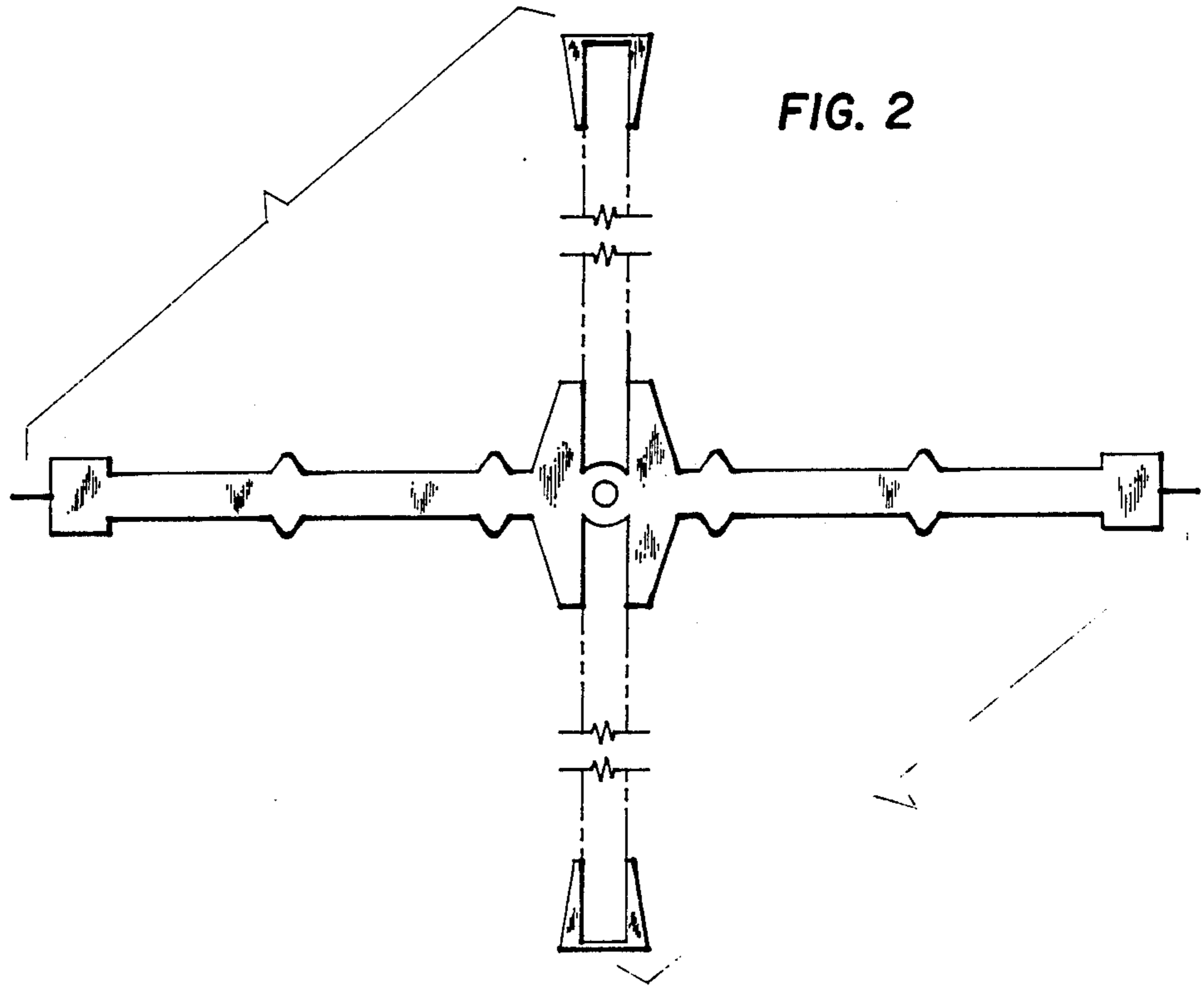


FIG. 2

FIG. 3

