

[54] SURGICAL FORCEPS FOR CUTTING AND SQUEEZING TUBING

[76] Inventors: Horst Gerich, 24034 Welby Way, Canoga Park, Calif. 91307; Thomas Van Meter, 9957 Stonehurst, Sun Valley, Calif. 91352

[**] Term: 14 Years

[21] Appl. No.: 818,886

[22] Filed: Jan. 14, 1986

[52] U.S. Cl. D24/28; D8/57; D24/26

[58] Field of Search D24/28, 27, 26; 128/318, 319, 305, 321, 322, 346, 303 R; D8/55-57; 30/194, 254, 145, 146, 257

[56] References Cited

U.S. PATENT DOCUMENTS

1,600,225	9/1926	Halpern	128/318
3,648,701	3/1972	Botts	128/321
3,786,815	1/1974	Ericson	128/321
4,611,592	9/1986	Talboy	128/346

Primary Examiner—A. Hugo Word
Assistant Examiner—Stella M. Reid

[57] CLAIM

The ornamental design for a surgical aforceps for cutting and squeezing tubing, substantially as shown.

DESCRIPTION

FIG. 1 is a perspective view of surgical forceps for cutting and squeezing tubing, in open position, showing our new design;

FIG. 2 is a back view thereof;

FIG. 3 is a side view thereof, in closed position;

FIG. 4 is an end view thereof, taken from the left of FIG. 3; and,

FIG. 5 is a bottom plan view thereof.

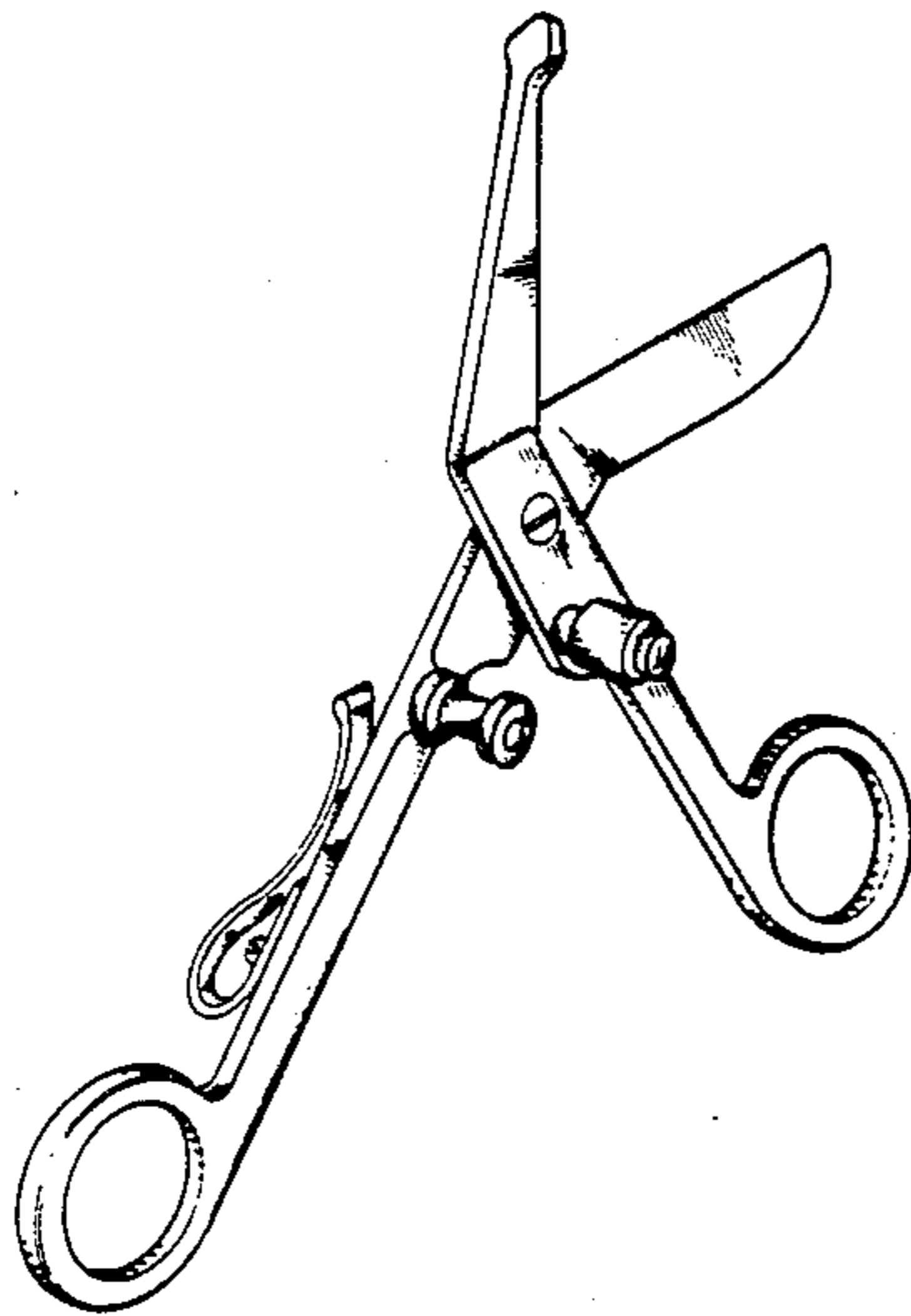


FIG. 1

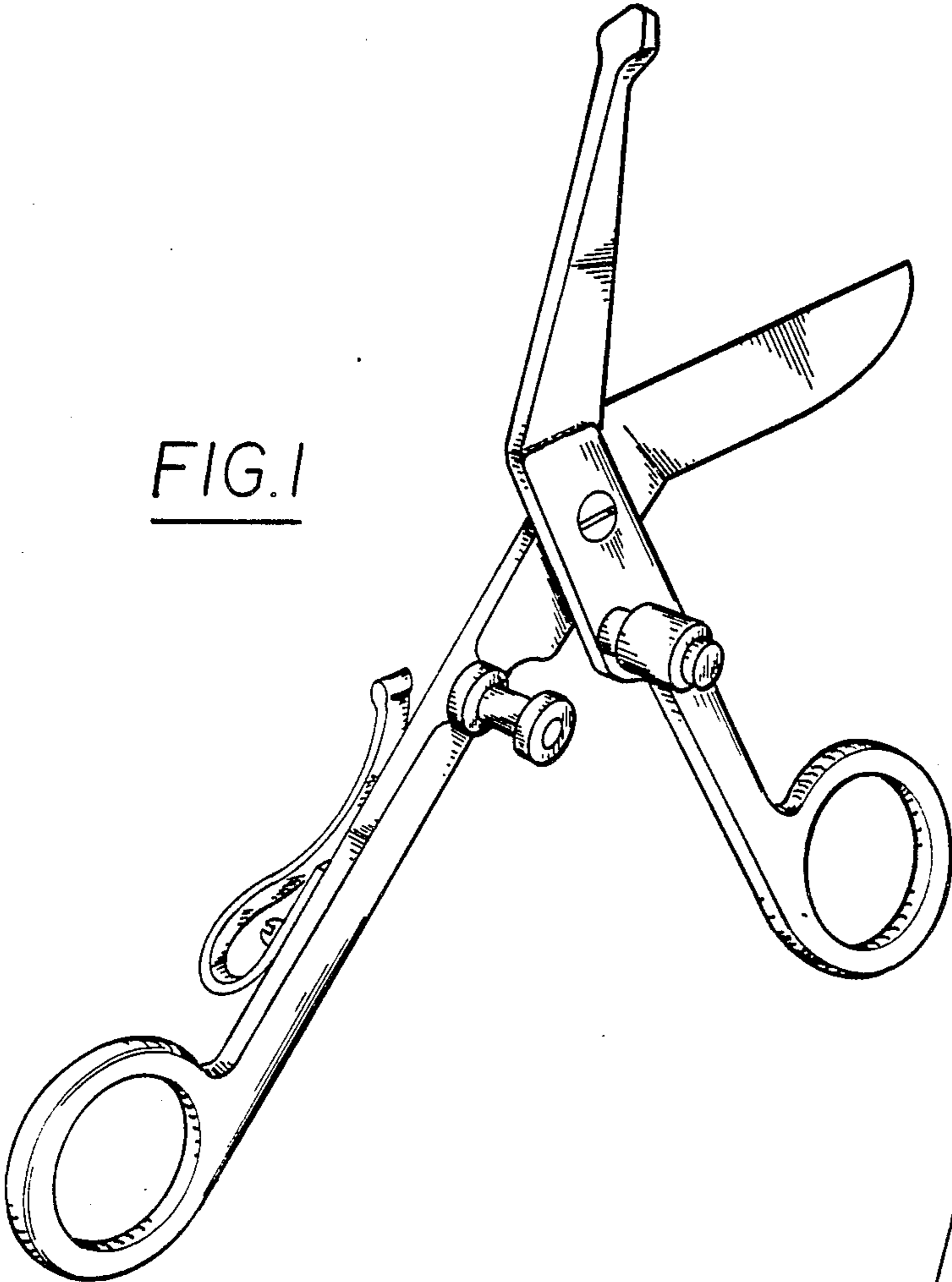
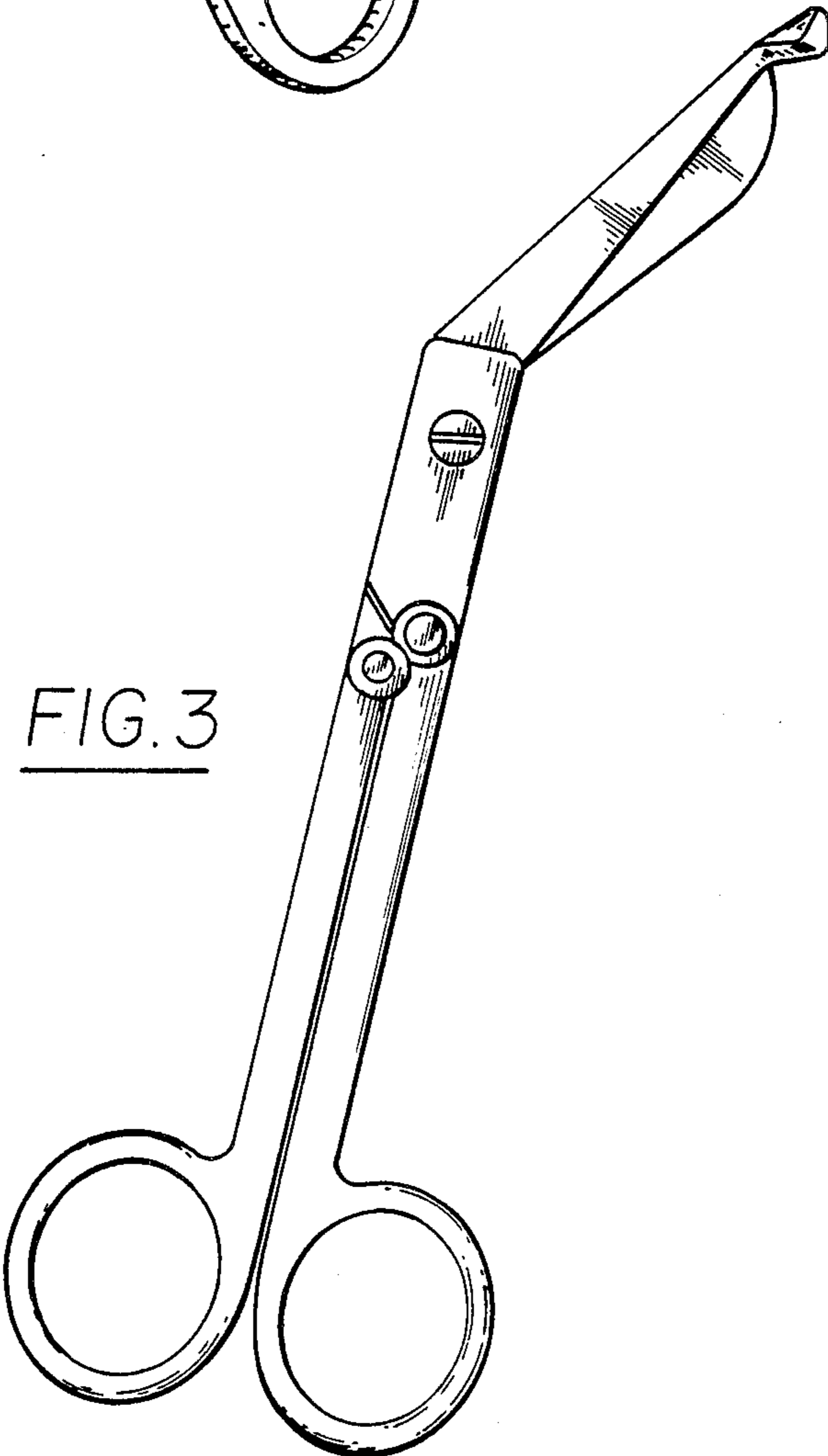


FIG. 3



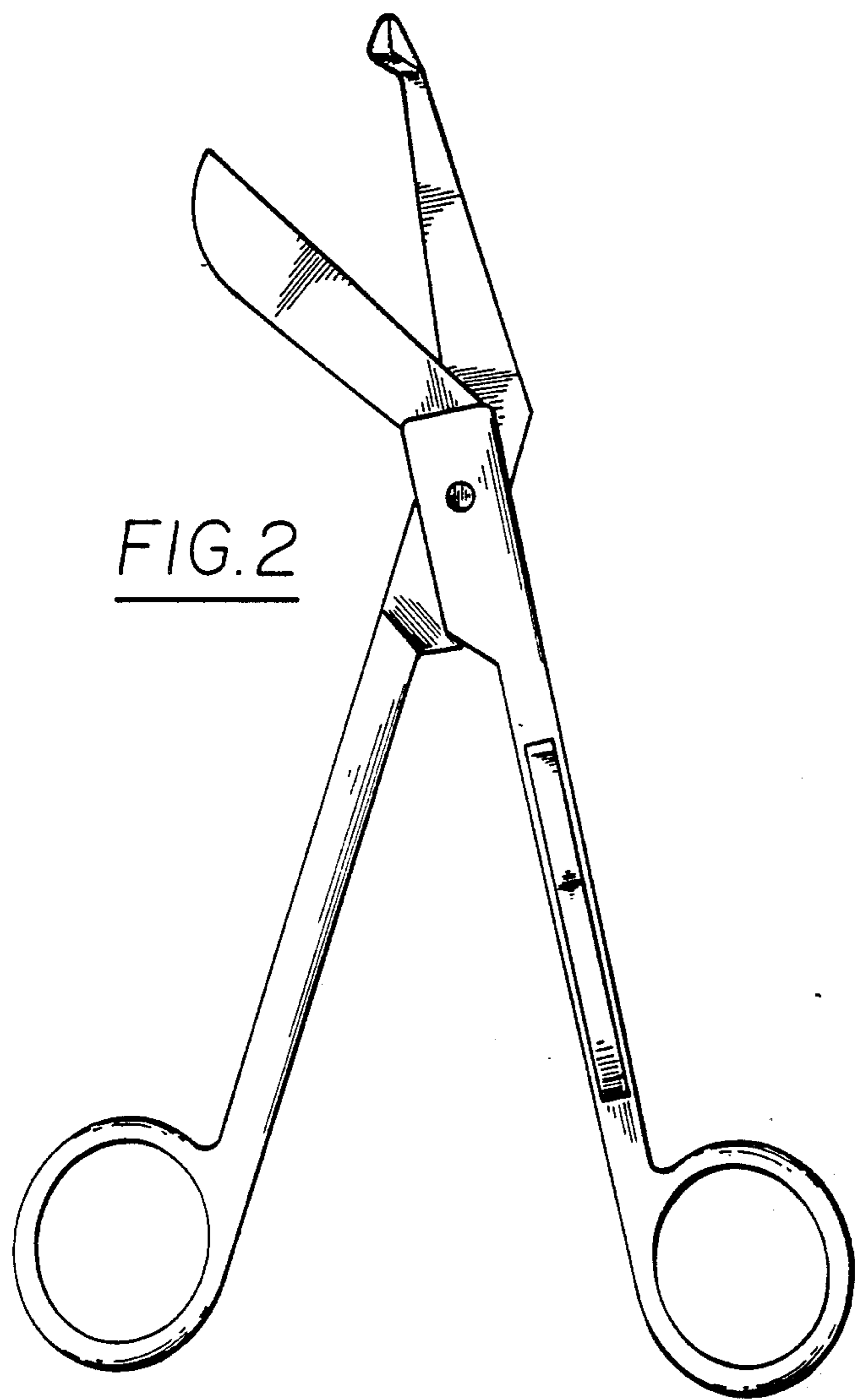


FIG. 4

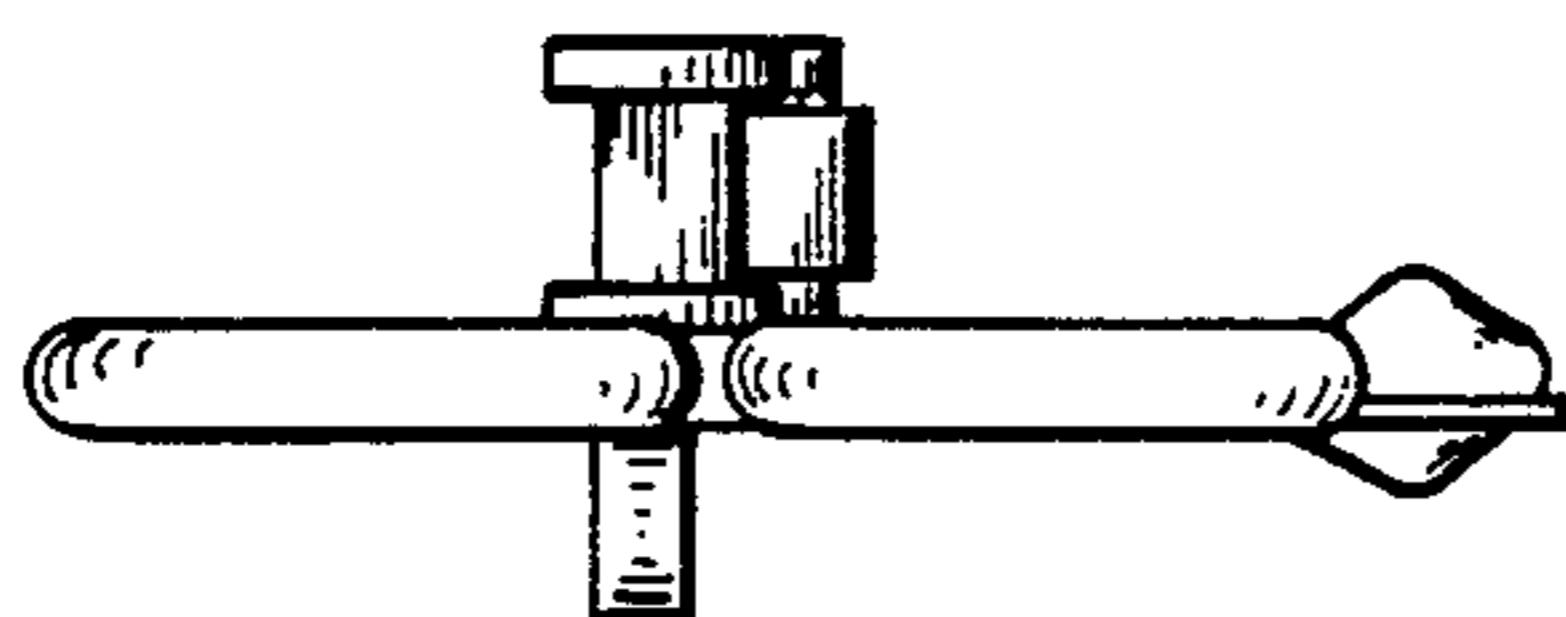
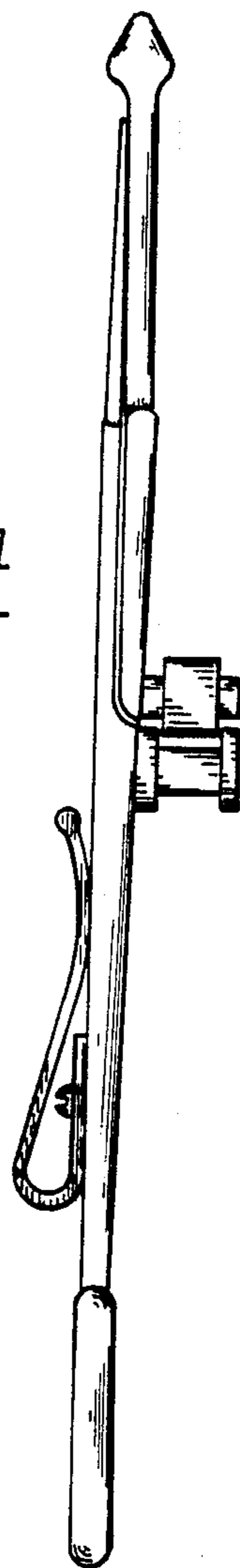


FIG. 5