

[54] **RECOIL CONTROLLER FOR FIREARMS**

4,570,529 2/1986 A'Costa D22/108 X

[76] **Inventor: Vito Cellini, 3115 Old Ranch Rd.,
San Antonio, Tex. 78217**

Primary Examiner—A. Hugo Word

[**] **Term: 14 Years**

[57] **CLAIM**

The ornamental design for a recoil controller for fire-
arms, as shown and described.

[21] **Appl. No.: 787,104**

DESCRIPTION

[22] **Filed: Oct. 15, 1985**

[52] **U.S. Cl. D22/108**

[58] **Field of Search D22/108, 104; 89/14.2;
42/79, 69 R, 69 A**

FIG. 1 is a perspective view of a recoil controller for
firearms, showing my new design.

FIG. 2 is a front elevational view.

FIG. 3 is a side elevational view.

FIG. 4 is a top plan view.

FIG. 5 is a bottom plan view; and

FIG. 6 is a rear end view.

The side elevational view not shown is the same as FIG.
3.

[56] **References Cited**

U.S. PATENT DOCUMENTS

- D. 268,861 5/1983 Gwinn, Jr. D22/108
D. 280,655 9/1985 Cellini D22/108

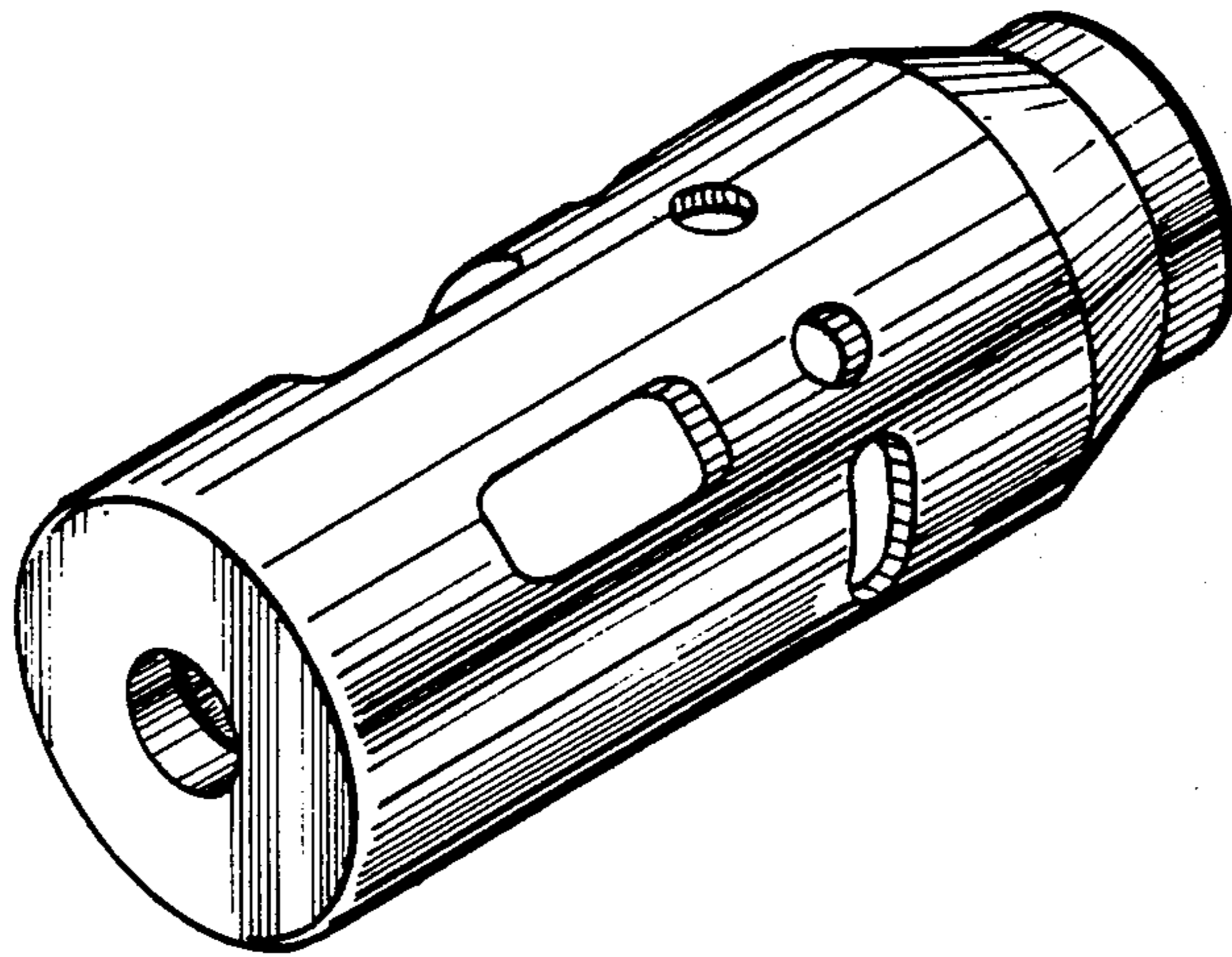


Fig. 1.

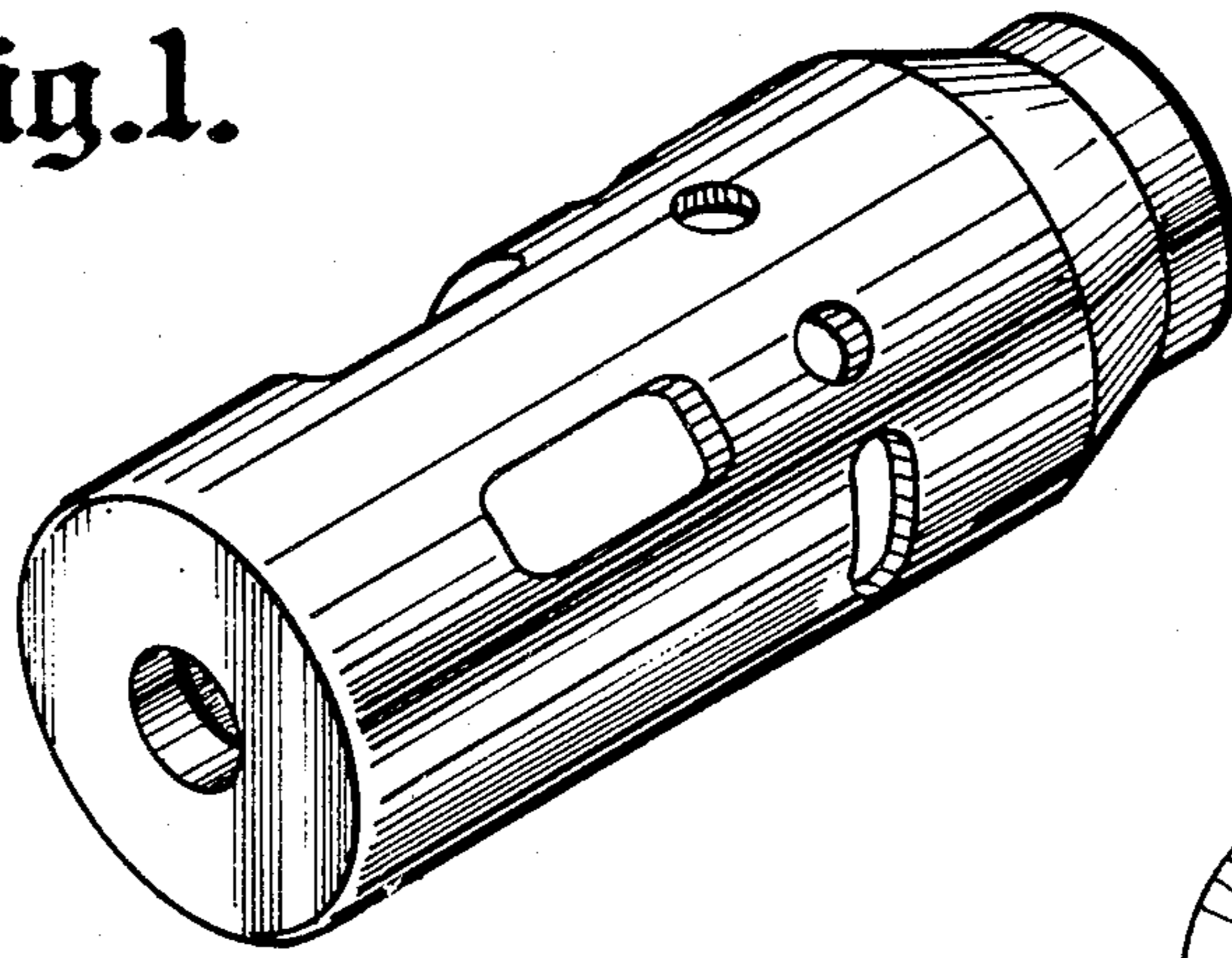


Fig. 2.

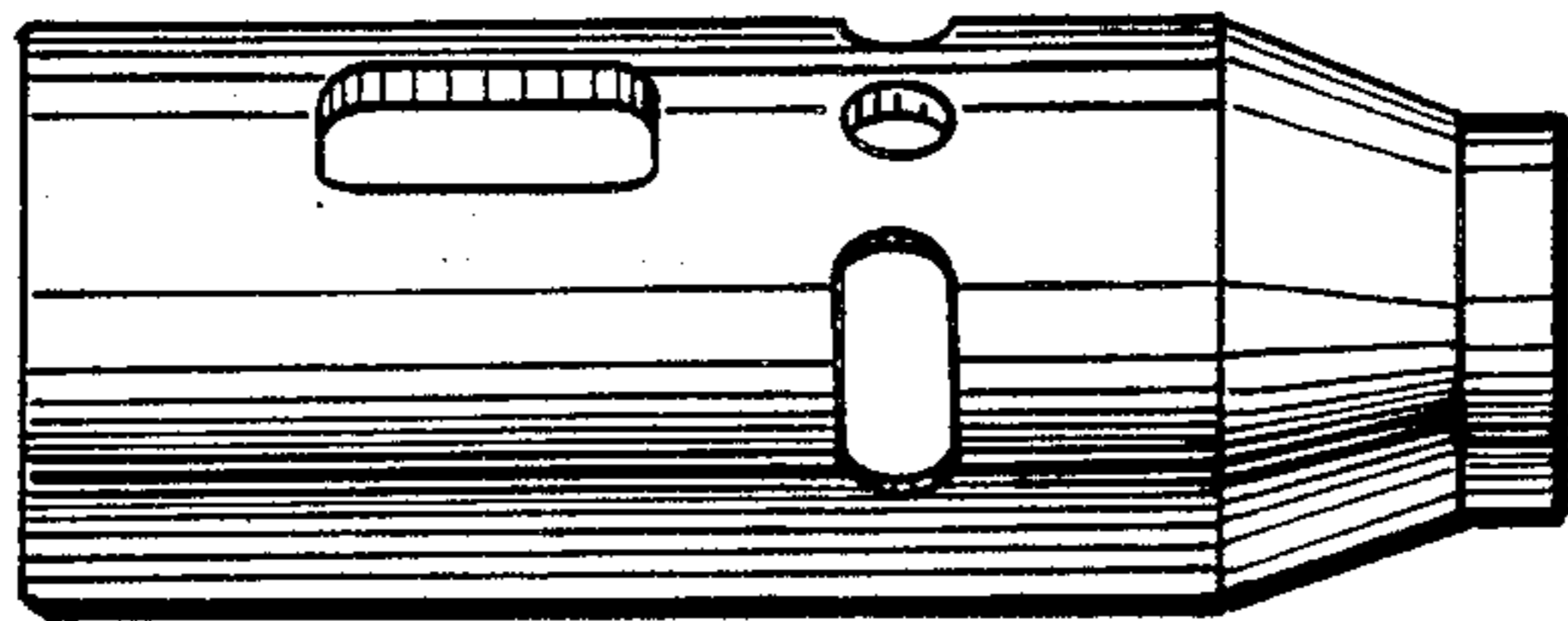
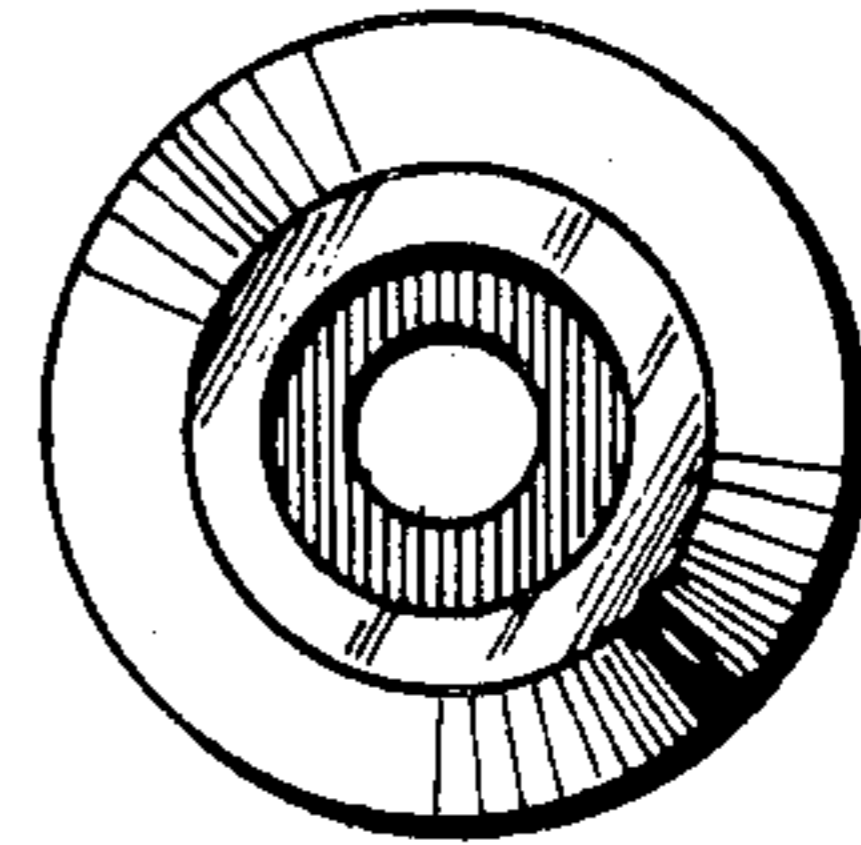


Fig. 3.

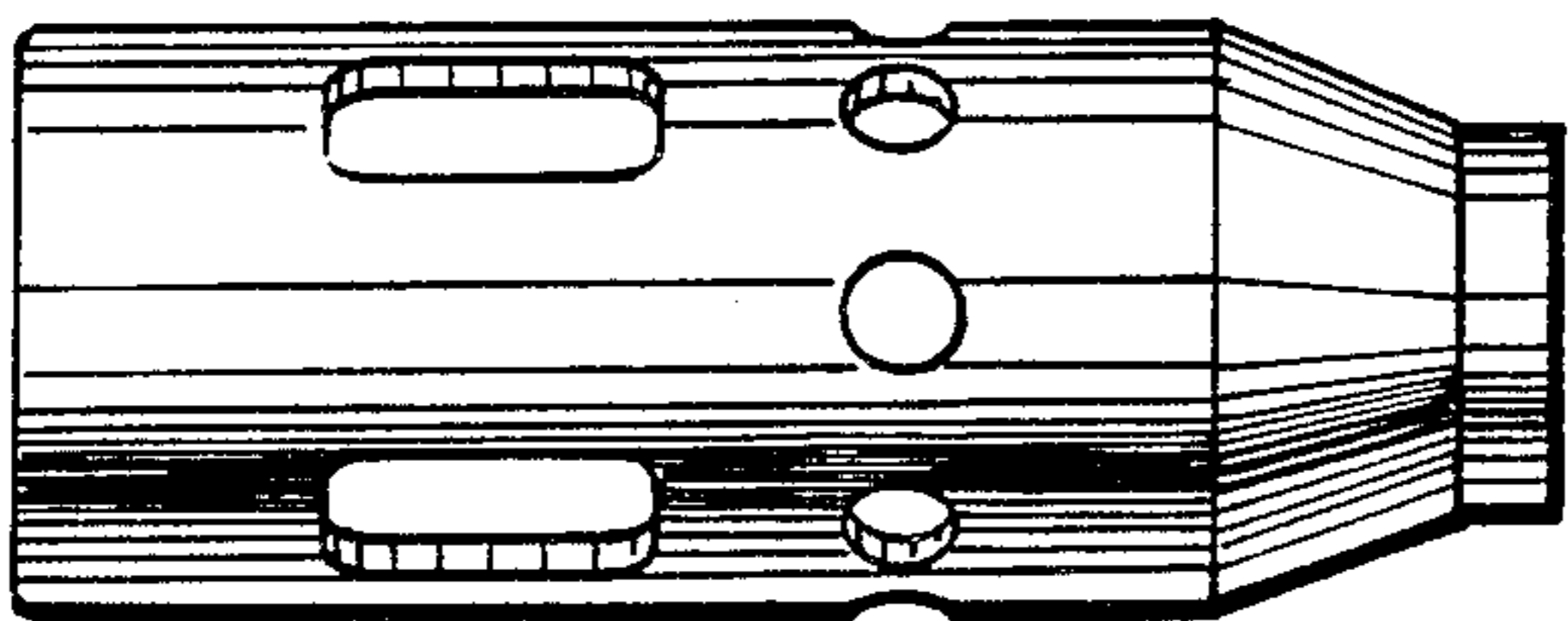


Fig. 4.

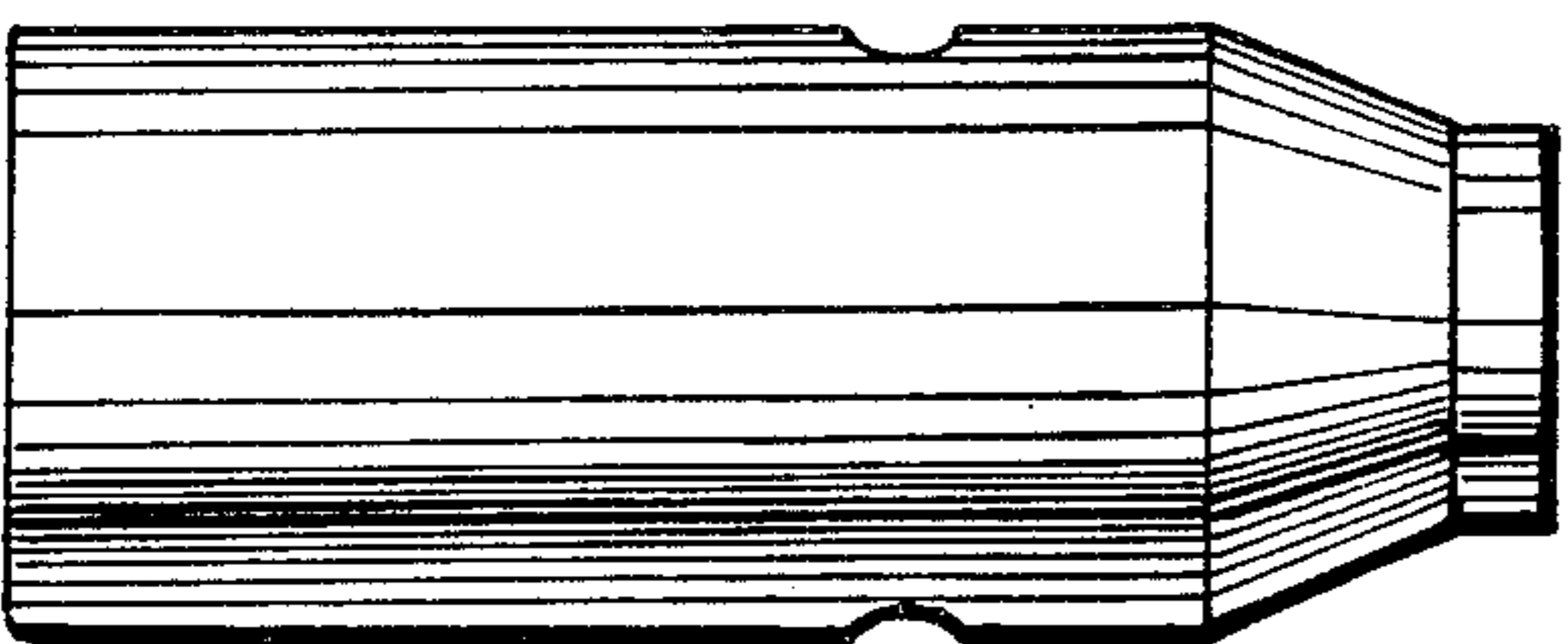


Fig. 5.

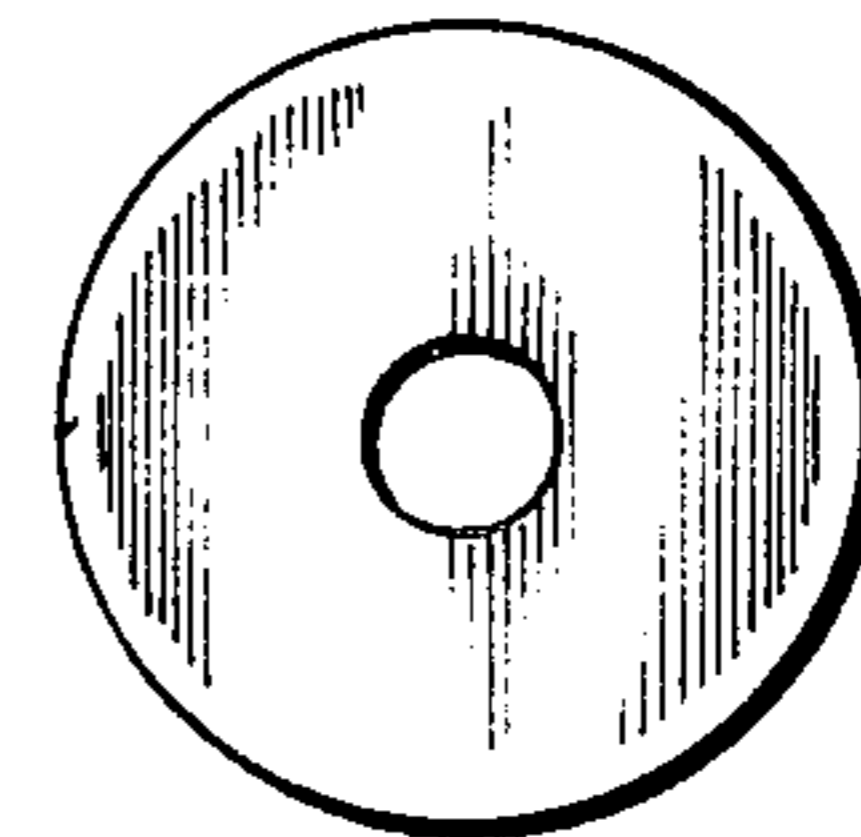


Fig. 6.