

[54] GAME ROBOT

[75] Inventor: Makoto Kanoh, Okamedani Higashitera, Japan

[73] Assignee: Nintendo Co., Ltd., Kyoto, Japan

[**] Term: 14 Years

[21] Appl. No.: 803,858

[22] Filed: Nov. 4, 1985

[30] Foreign Application Priority Data

May 21, 1985 [JP] Japan 60-21145

Jul. 12, 1985 [JP] Japan 60-29974

[52] U.S. Cl. D21/150

[58] Field of Search D21/150; 446/71-75, 446/99, 100, 290-292, 376, 487

[56] References Cited

U.S. PATENT DOCUMENTS

D. 290,032 5/1987 Horiuchi D21/150

D. 290,146 6/1987 Horiuchi D21/150
3,728,815 4/1973 Tomiyama D21/150

OTHER PUBLICATIONS

Popular Science Magazine, Sep. 1985, p. 64.

Primary Examiner—Melvin B. Feifer

Attorney, Agent, or Firm—Larry A. Jackson; Larry A. Jackson

[57] CLAIM

The ornamental design for a game robot, as shown.

DESCRIPTION

FIG. 1 is a front perspective view of an embodiment of a game robot showing my new design; FIG. 2 is a front view thereof; FIG. 3 is a rear view thereof; FIG. 4 is a right side view thereof; FIG. 5 is a left side view thereof; FIG. 6 is a top plan view thereof; and FIG. 7 is a bottom plan view thereof.

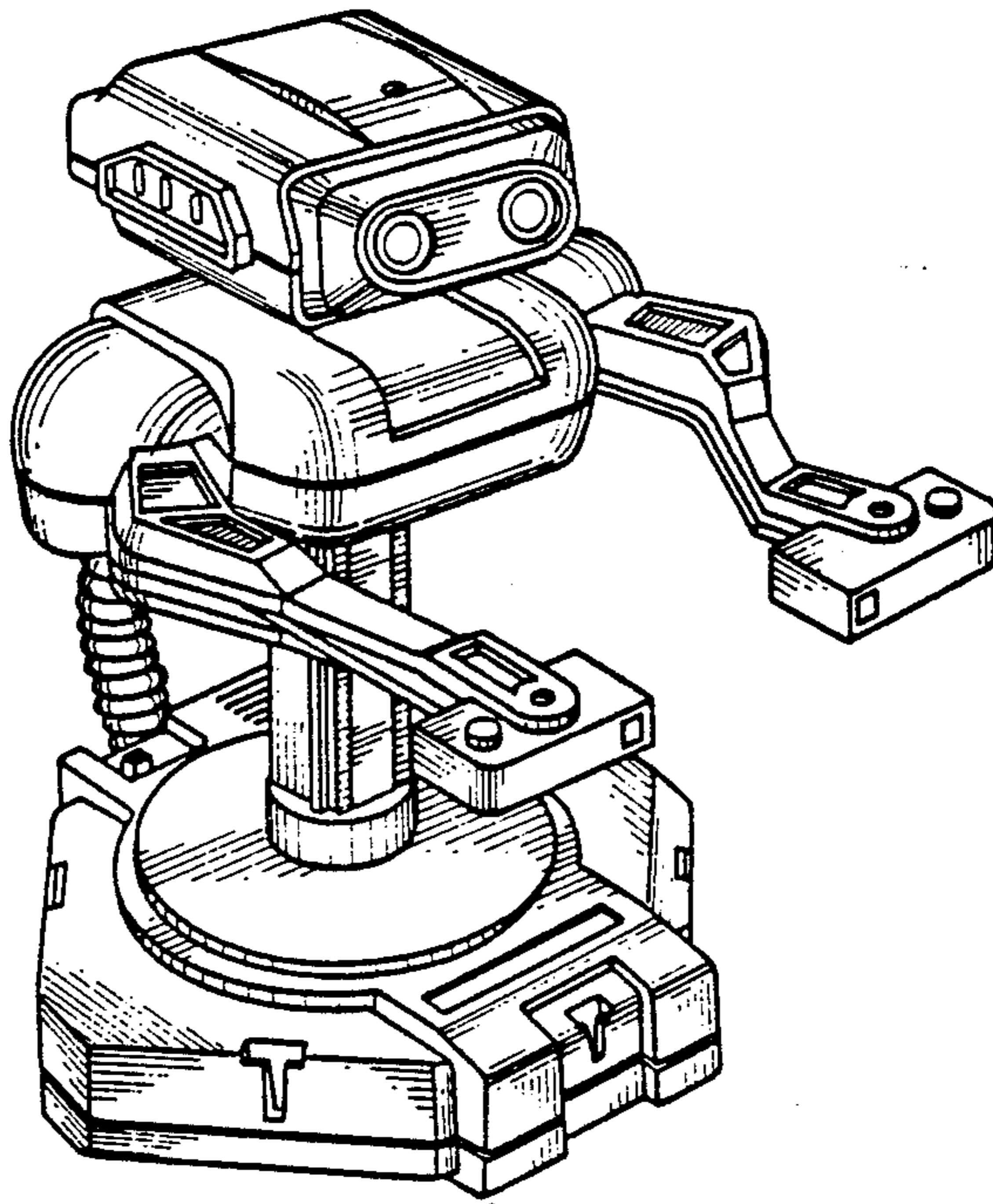


FIG. 1

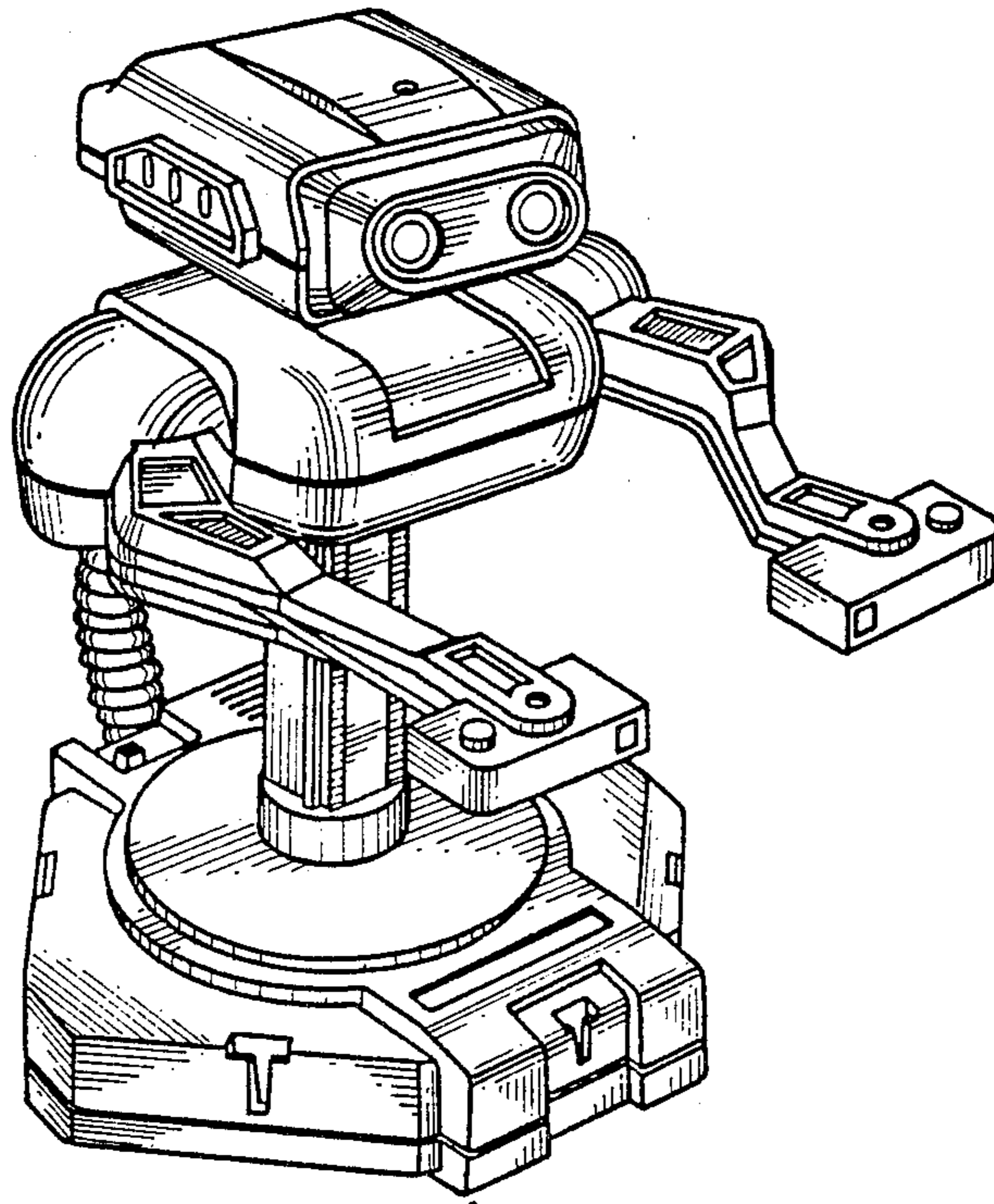


FIG. 2

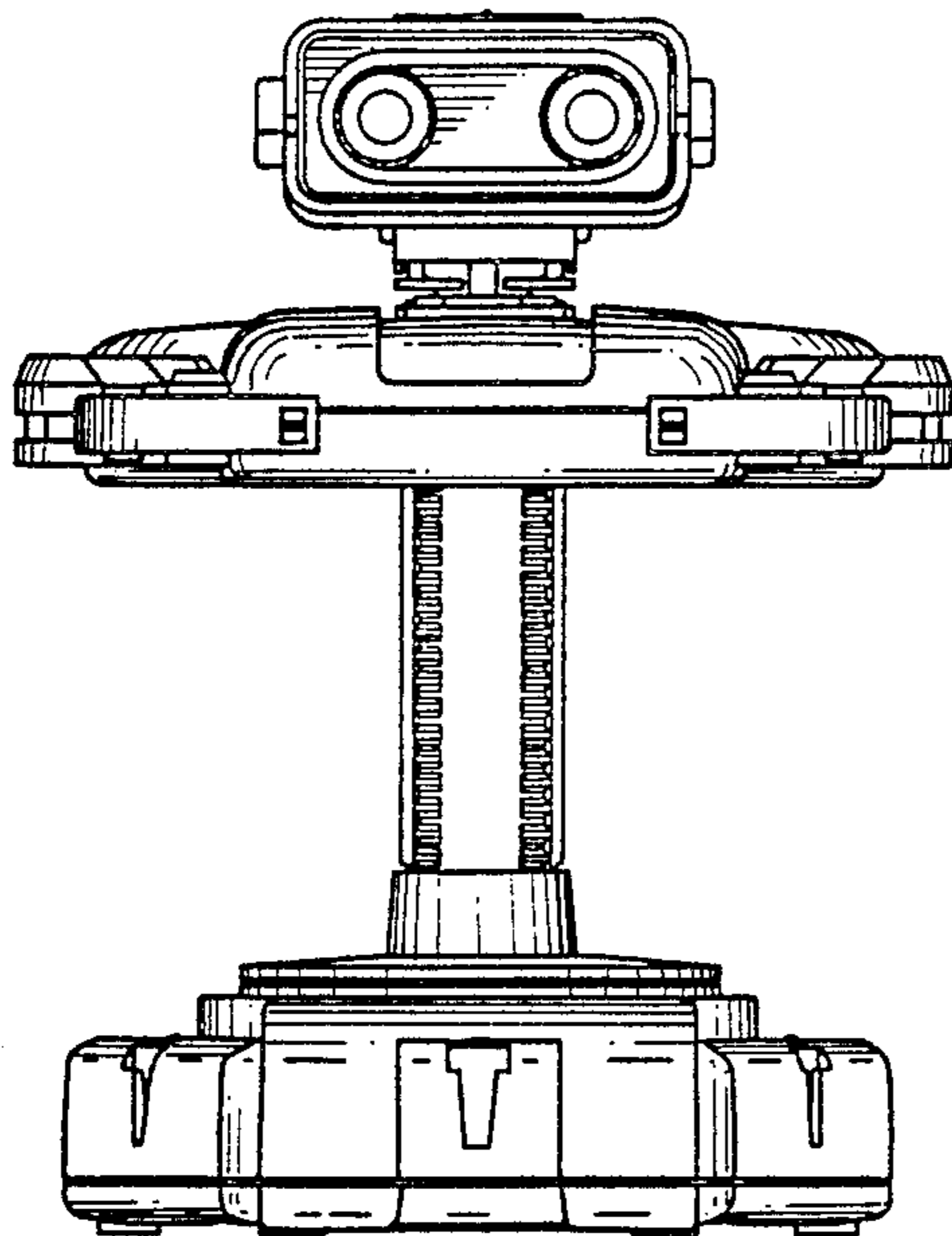


FIG. 3

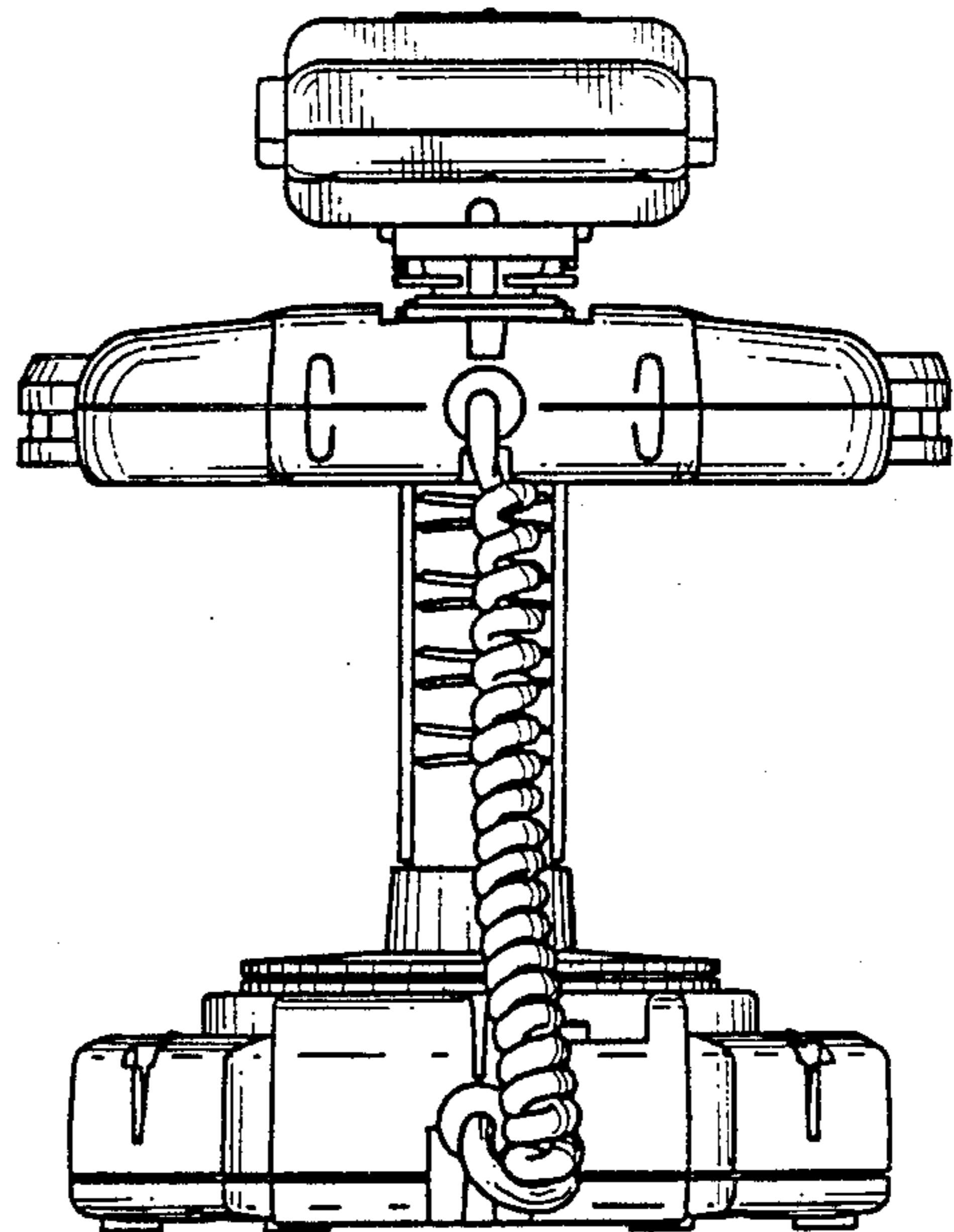


FIG. 4

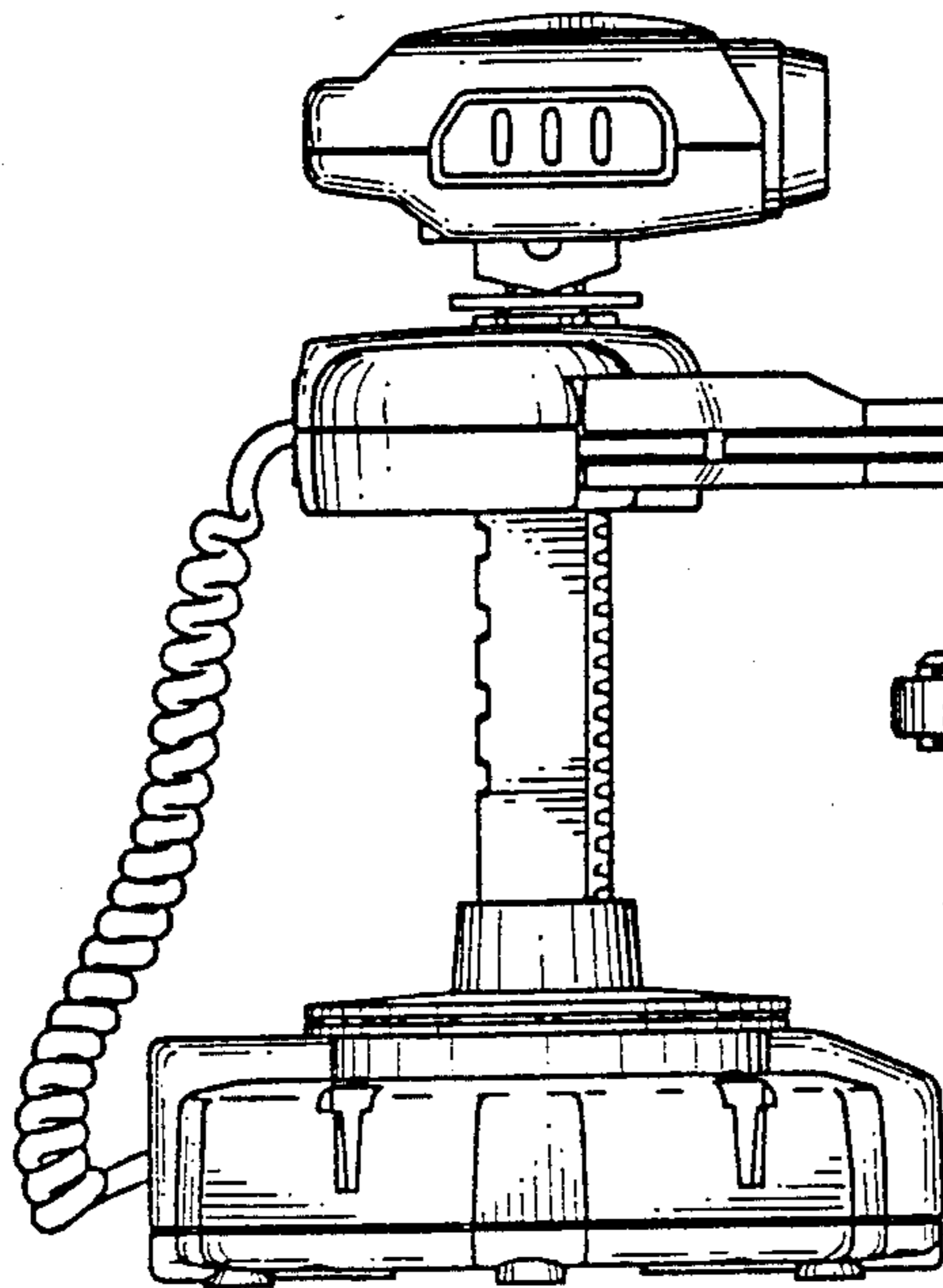


FIG. 5

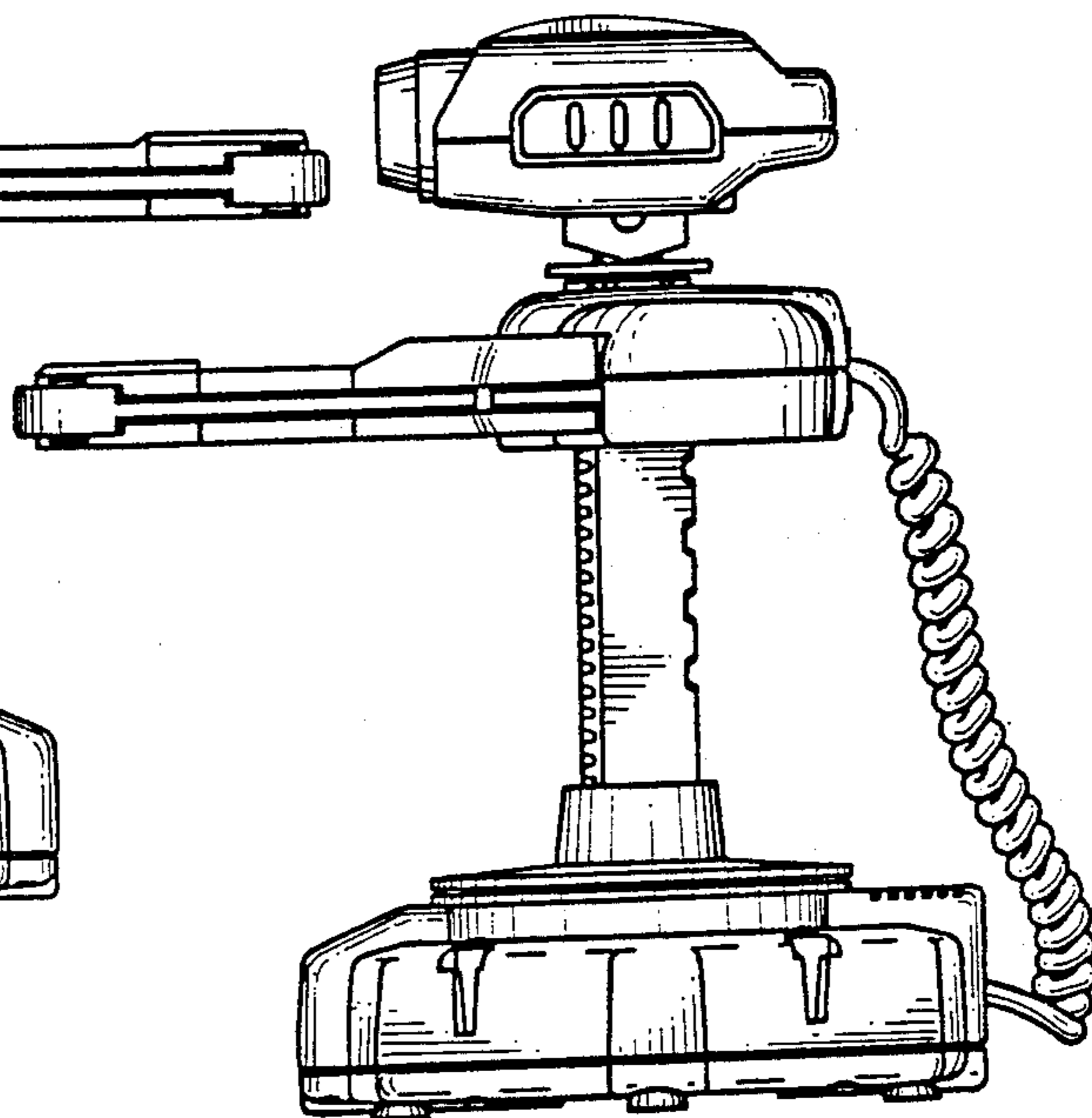


FIG. 6

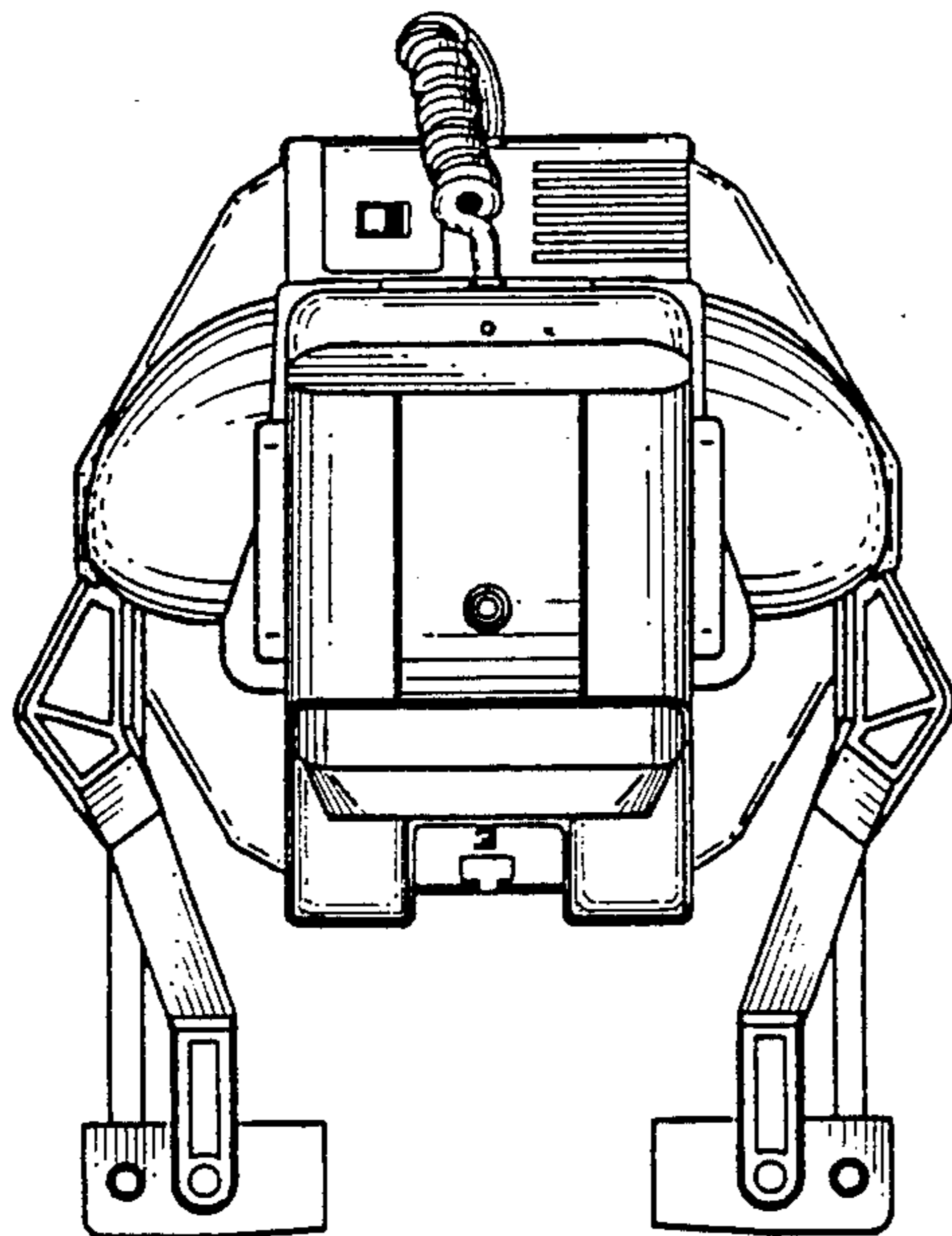


FIG. 7

