

[54] TOY TRAILER

[75] Inventor: Sven C. B. Thomsen, Naestved, Denmark
[73] Assignee: Interlego A.G., Baar, Switzerland
[**] Term: 14 Years
[21] Appl. No.: 935,693

[22] Filed: Nov. 26, 1986
[52] U.S. Cl. D21/128; D21/108
[58] Field of Search D12/101, 105; D21/134, D21/128, 108, 78, 130, 134, 135, 137, 140, 141; 446/71, 72, 88, 93, 94, 95, 465, 469, 470, 471

[56] References Cited

U.S. PATENT DOCUMENTS

D. 117,554 11/1939 Bojesen D21/141
D. 206,752 1/1967 Moll D12/101
D. 216,254 12/1969 DeBella D12/101

D. 283,236 4/1986 Arigaya D21/141

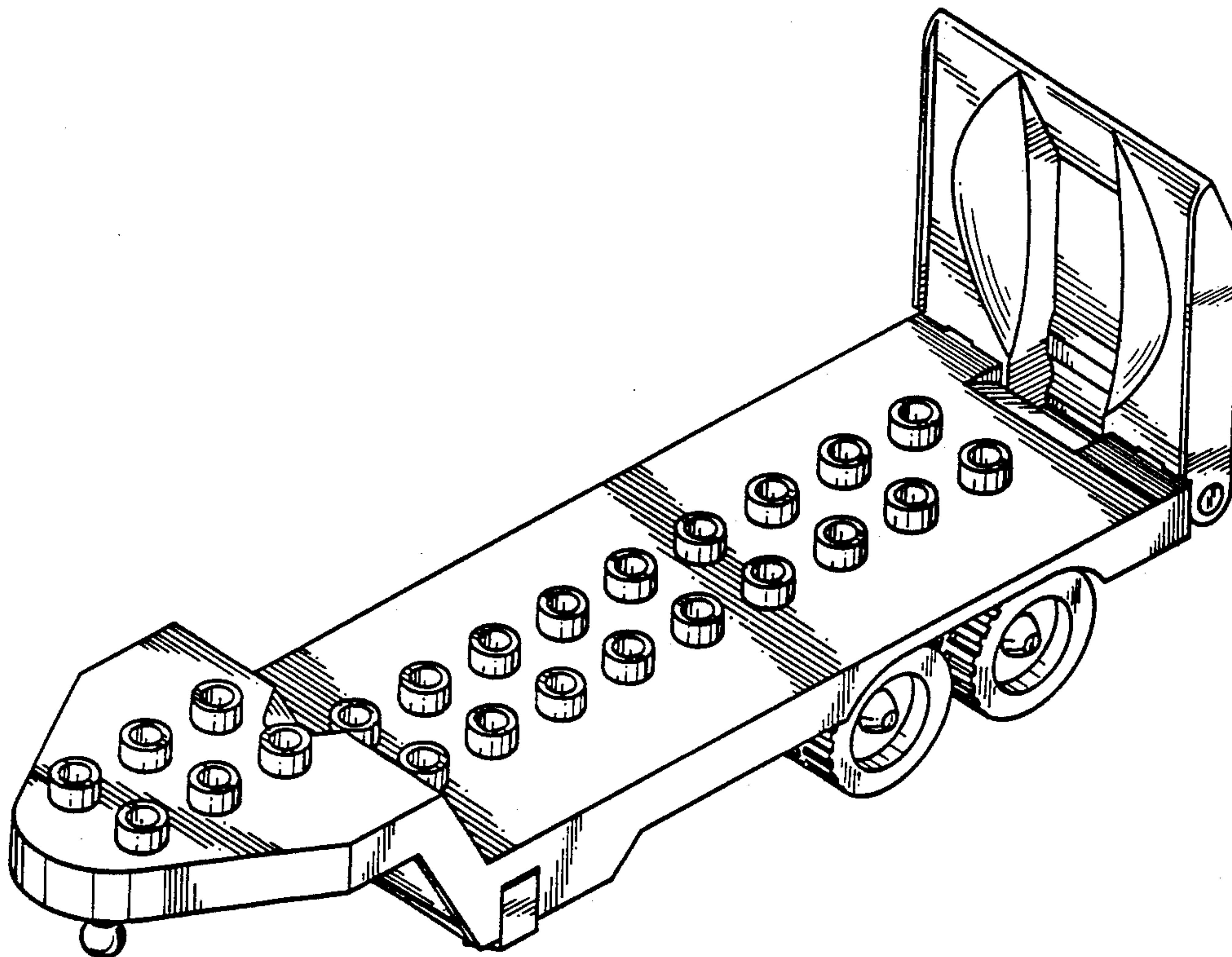
Primary Examiner—Charles A. Rademaker
Attorney, Agent, or Firm—Kane, Dalsimer, Sullivan, Kurucz, Levy, Eisele and Richard

[57] CLAIM

The ornamental design for a toy trailer, as shown and described.

DESCRIPTION

FIG. 1 is a top perspective view of the toy trailer showing my new design,
FIG. 2 is a top perspective view thereof in another position,
FIG. 3 is a bottom perspective view thereof,
FIG. 4 is a front elevational view thereof,
FIG. 5 is a left side elevational view thereof,
FIG. 6 is a right side elevational view thereof,
FIG. 7 is a top plan view thereof,
FIG. 8 is a bottom plan view thereof, and
FIG. 9 is a rear elevational view thereof.



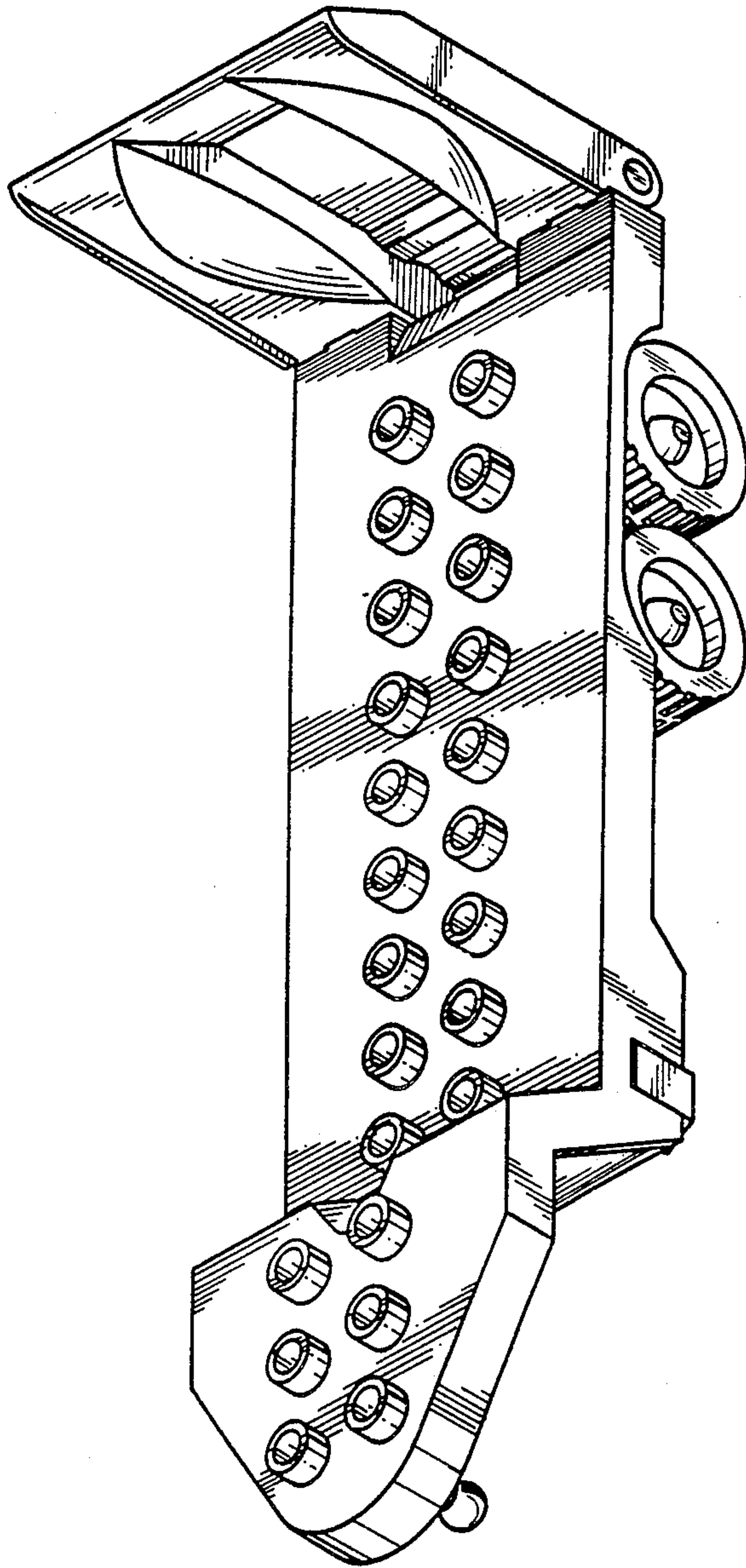


FIG. 1

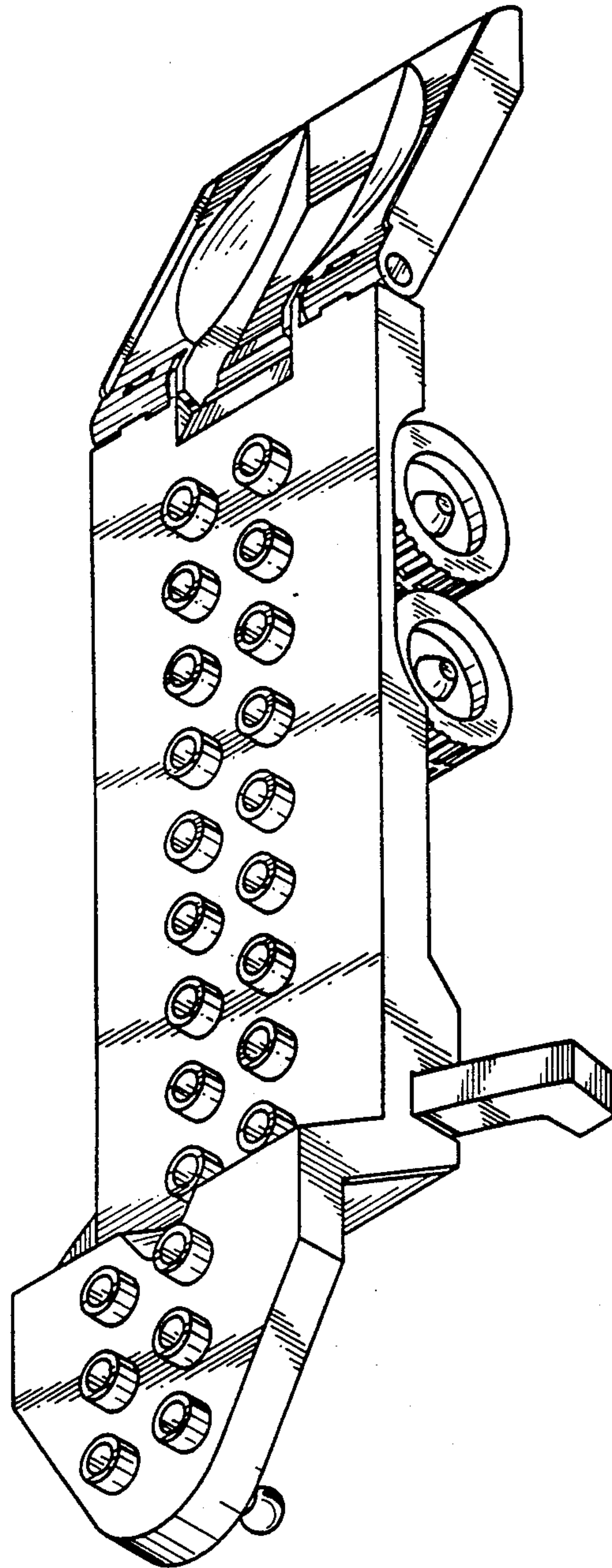


FIG. 2

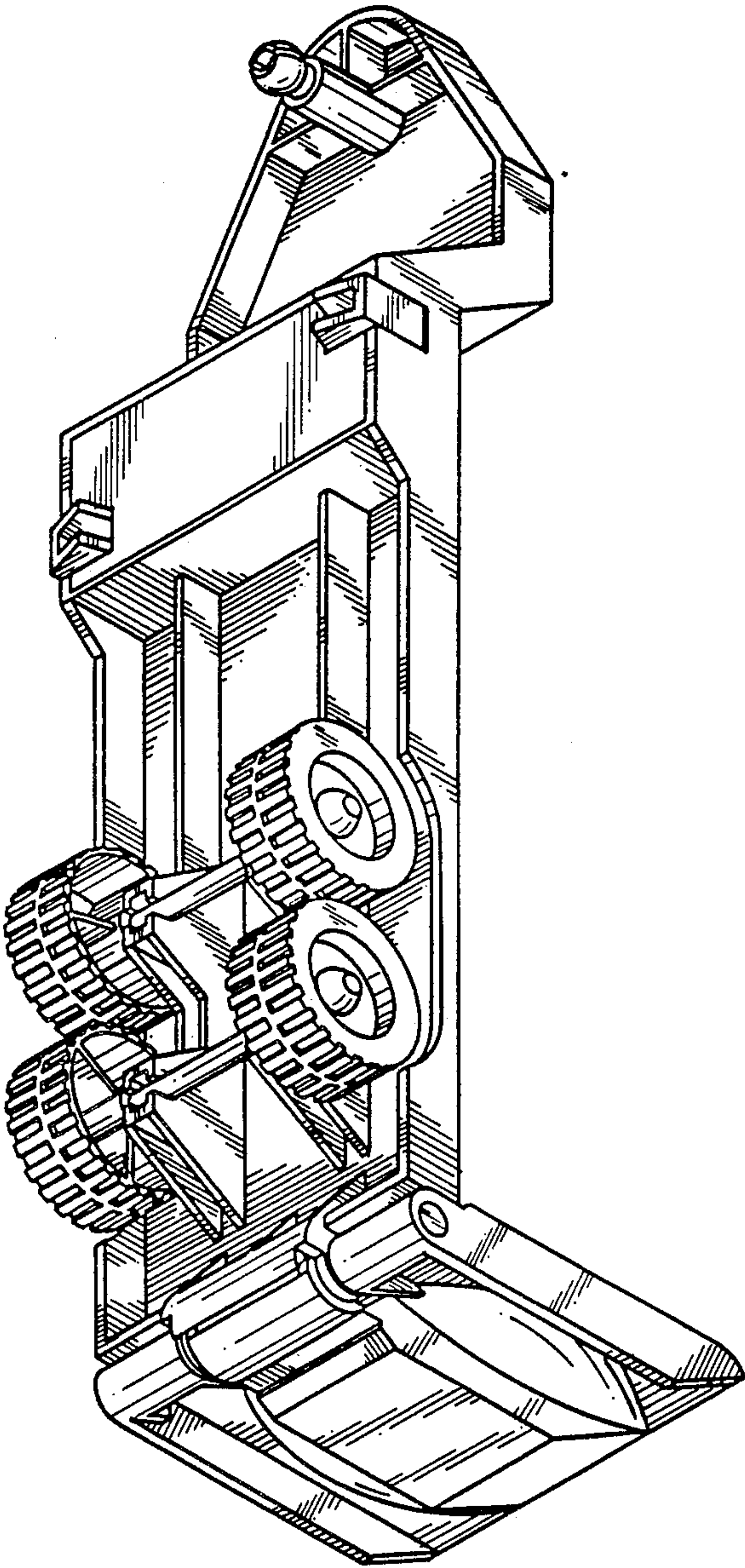


FIG. 3

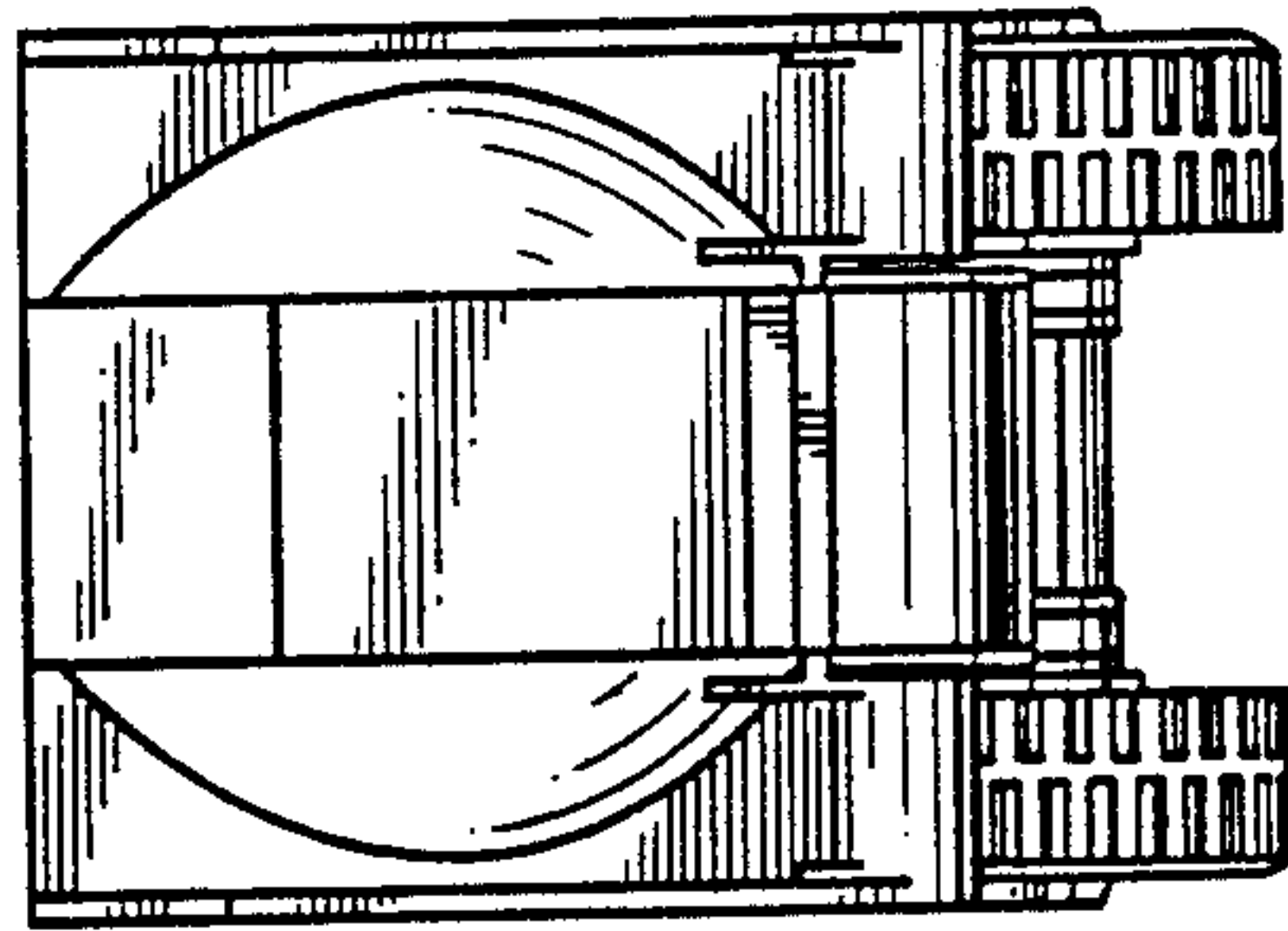


FIG. 9

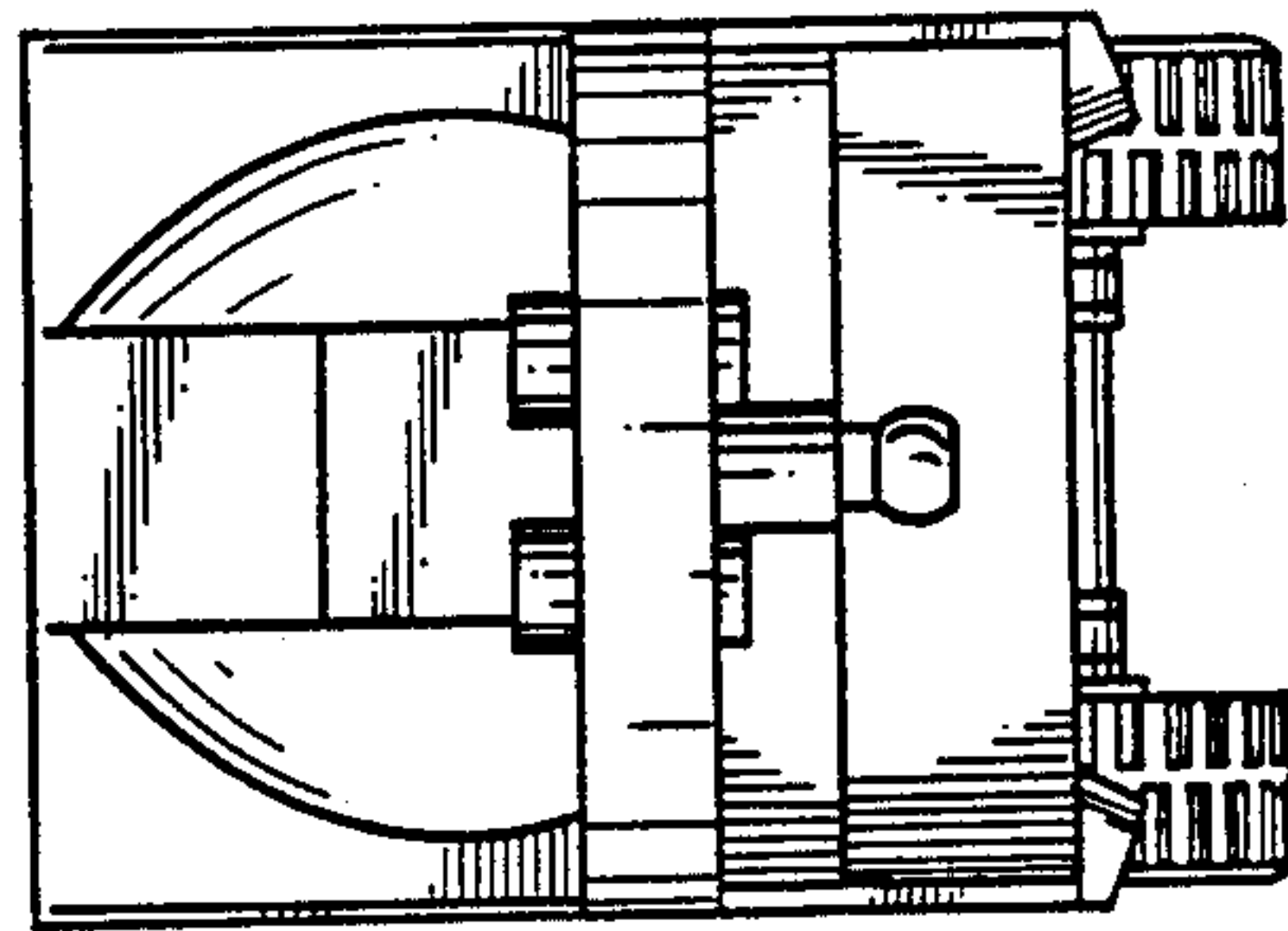


FIG. 4

FIG. 5

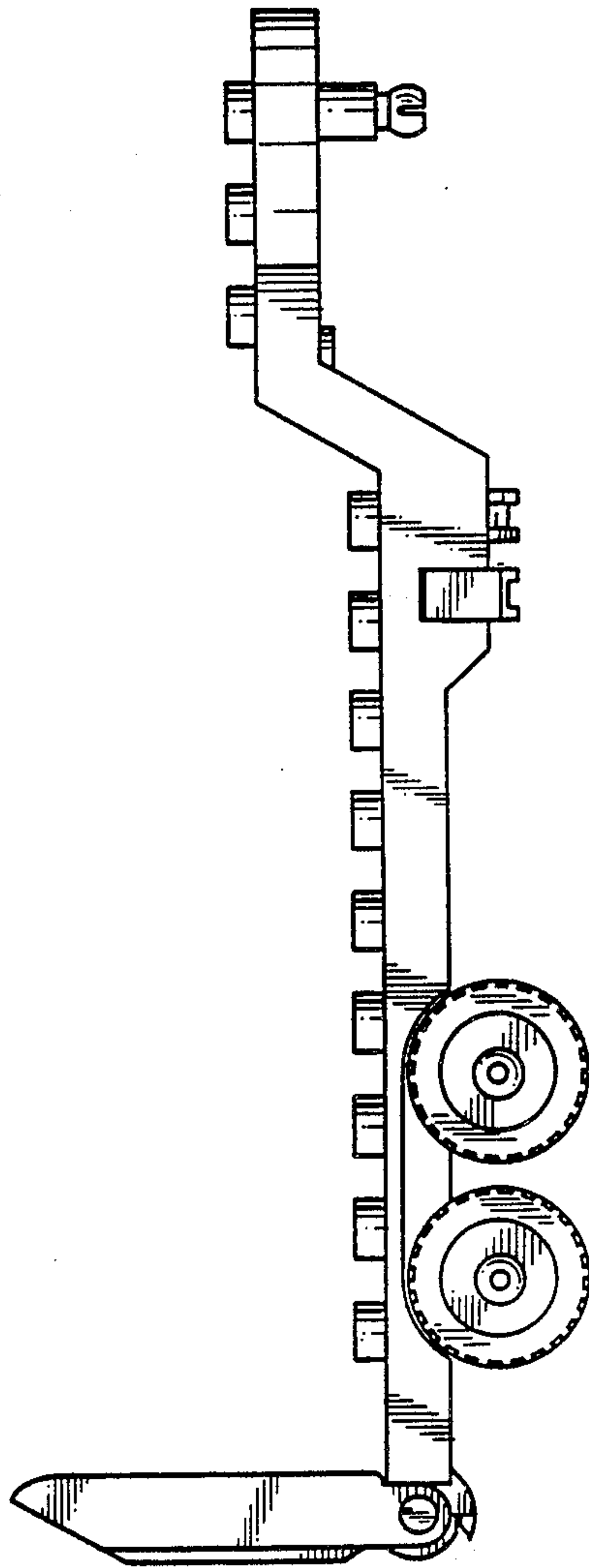


FIG. 8

