

[54] TOY FENCE

[75] Inventor: Philip M. Kushner, Greve Strand, Denmark

[73] Assignee: Interlego A.G., Baar, Switzerland

[\*\*] Term: 14 Years

[21] Appl. No.: 935,690

[22] Filed: Nov. 26, 1986

[52] U.S. Cl. .... D21/123; D21/108

[58] Field of Search ..... D21/108, 59, 109, 114, D21/115, 116, 117, 119, 122; 446/118, 102, 105, 106, 107, 120, 124, 487, 488, 489, 490

[56] References Cited

U.S. PATENT DOCUMENTS

D. 47,471	6/1915	Quackenbush .....	D21/123
D. 165,921	2/1952	Ippolito .....	D21/123
2,546,811	3/1951	Anderson .....	D21/123

OTHER PUBLICATIONS

Toys to Grow On, Roud, 3-19-1984, p. 17, item #1205, Fence Rail.

Primary Examiner—Charles A. Rademaker  
Attorney, Agent, or Firm—Kane, Dalsimer, Sullivan, Kurucz, Levy, Eisele and Richard

[57] CLAIM

The ornamental design for a toy fence, as shown and described.

DESCRIPTION

FIG. 1 is a top perspective view of a toy fence showing my new design;

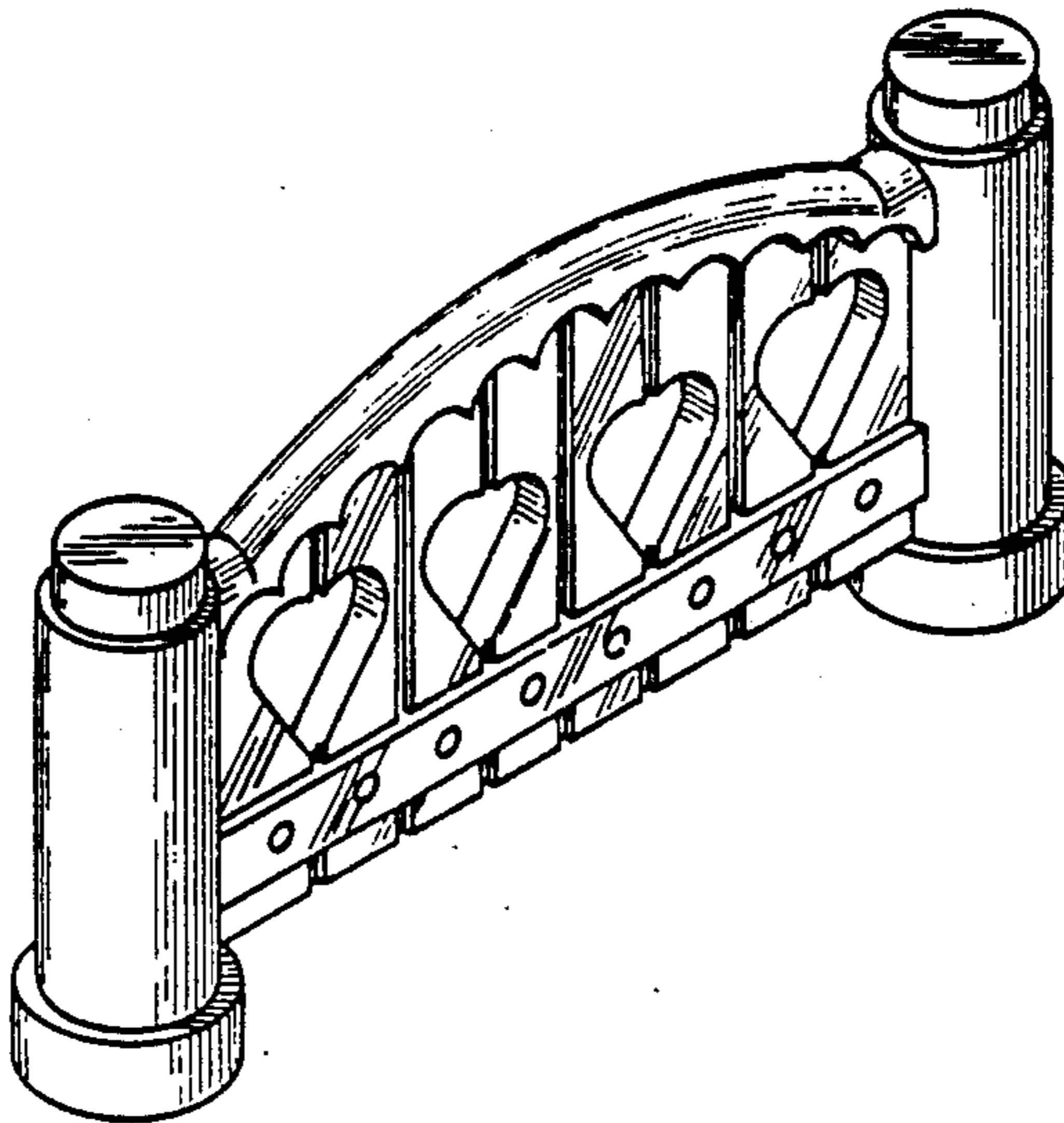
FIG. 2 is a bottom perspective view thereof;

FIG. 3 is a front elevational view thereof, the side opposite being identical;

FIG. 4 is a side elevational view thereof, the side opposite being identical;

FIG. 5 is a top plan view thereof; and

FIG. 6 is a bottom plan view thereof.



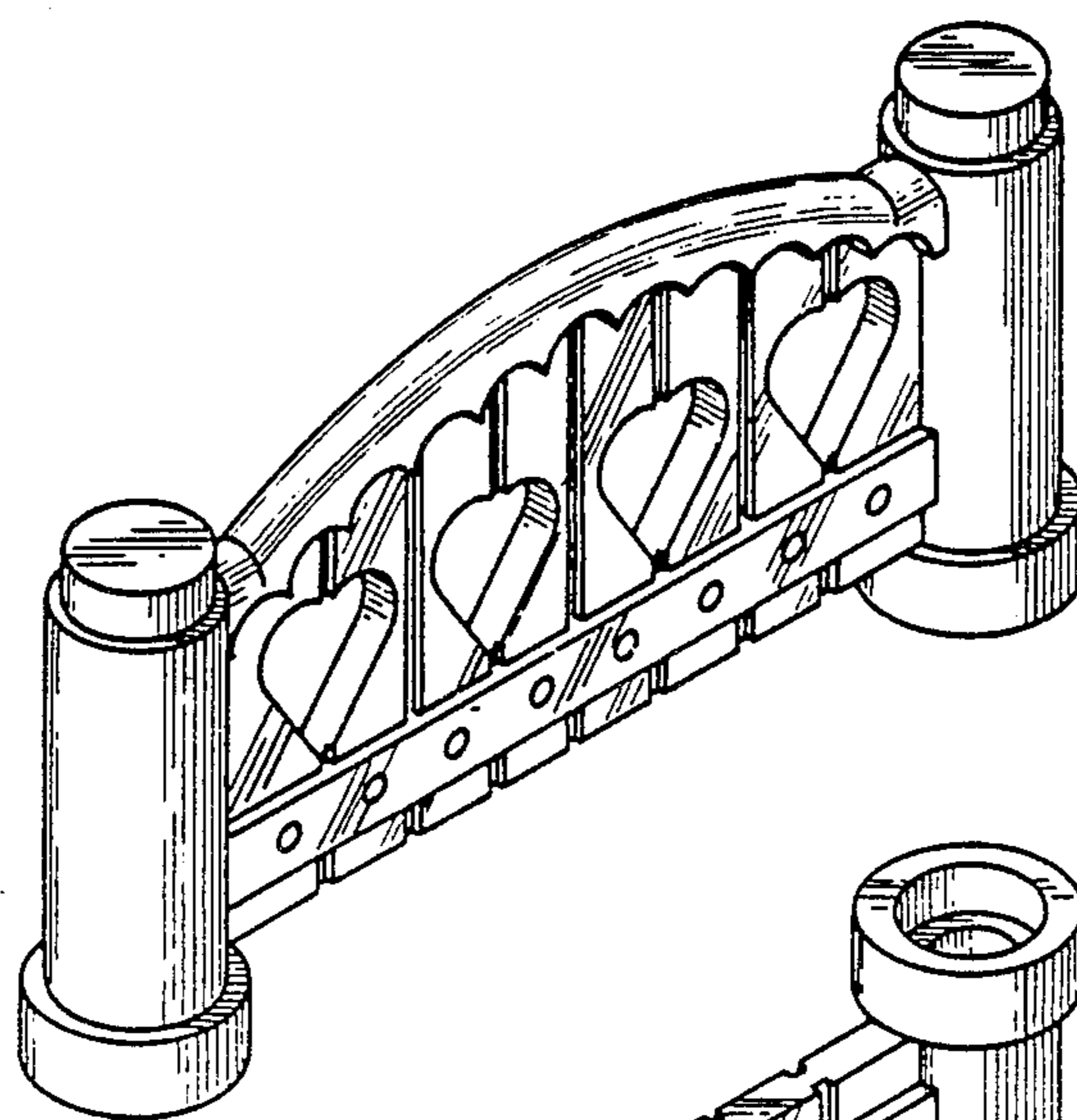


FIG. 1

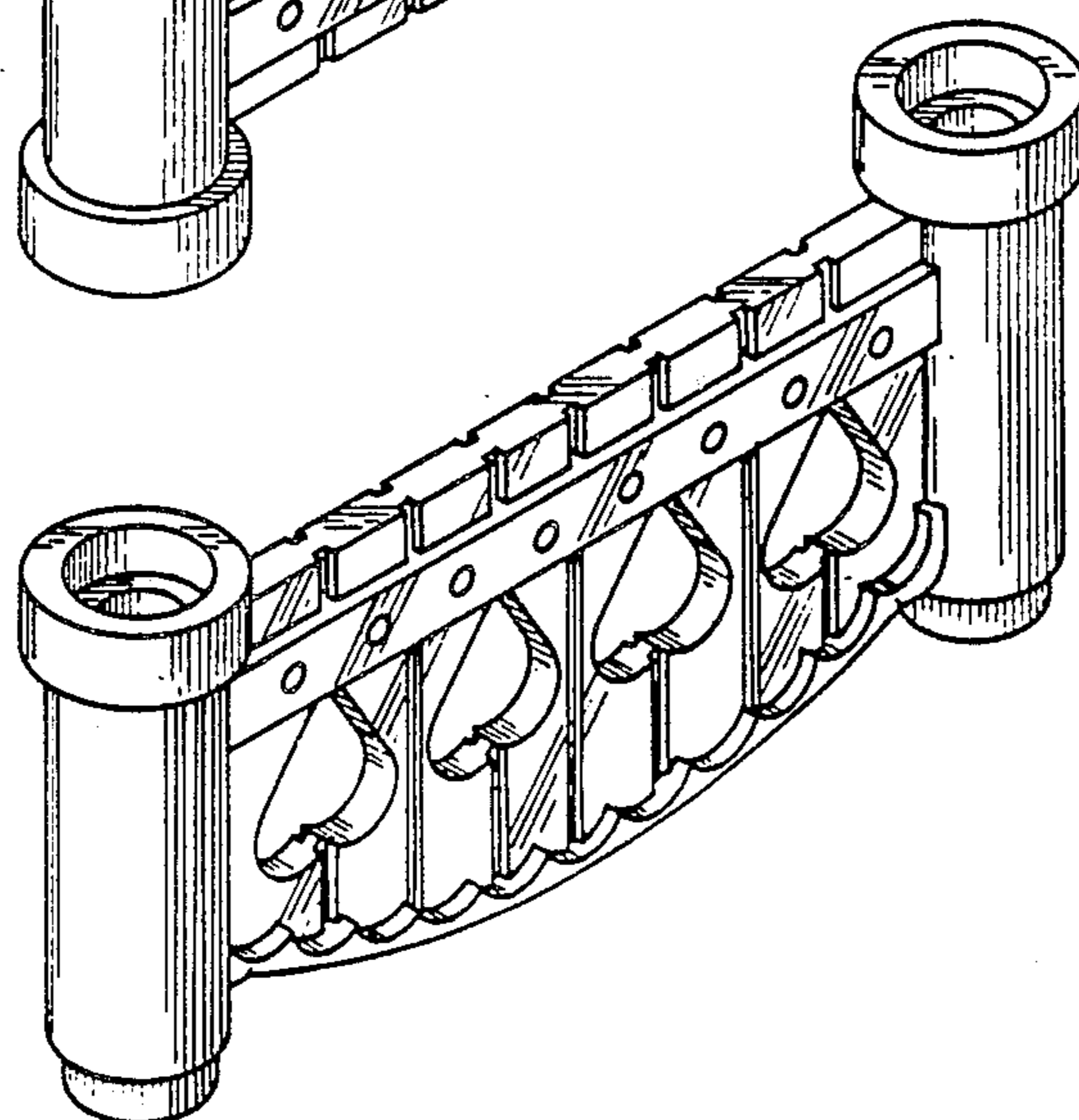


FIG. 2

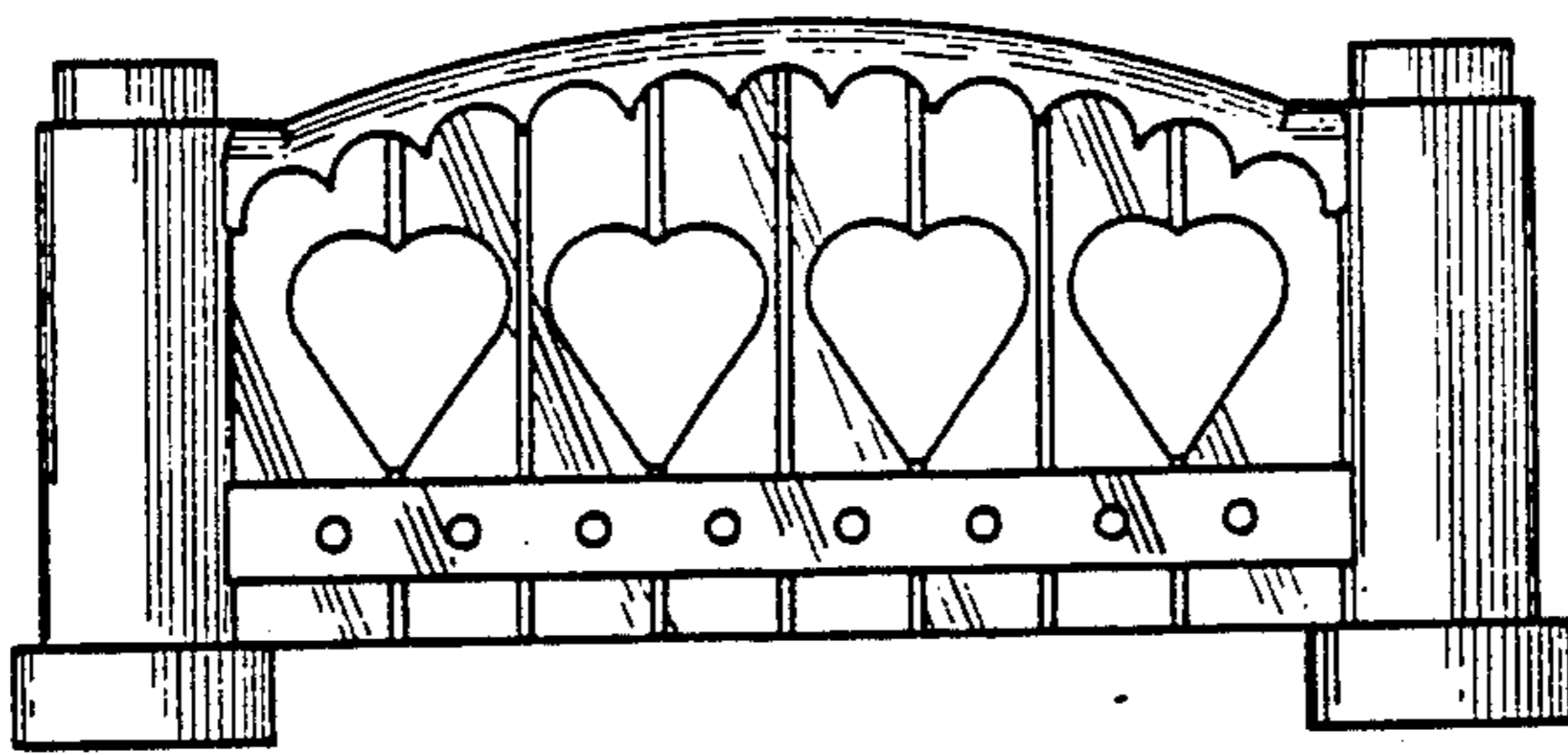


FIG. 3

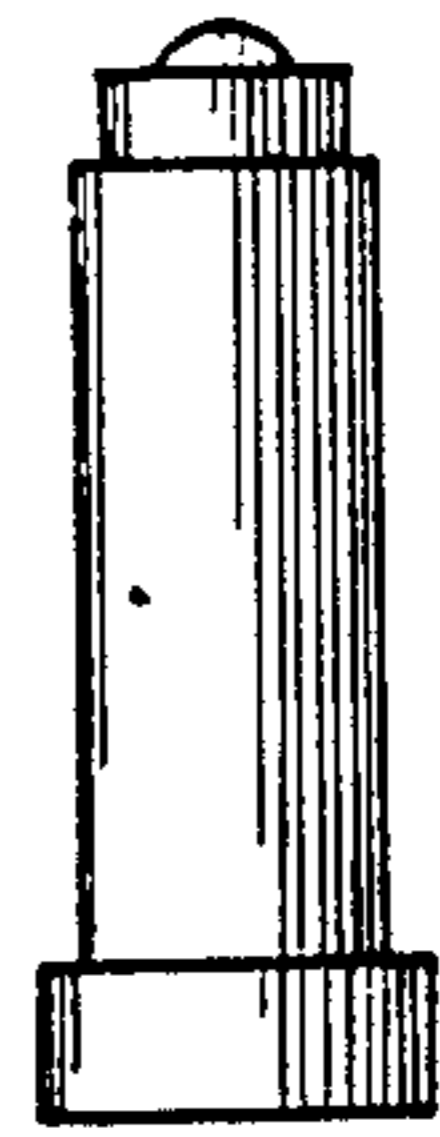


FIG. 4

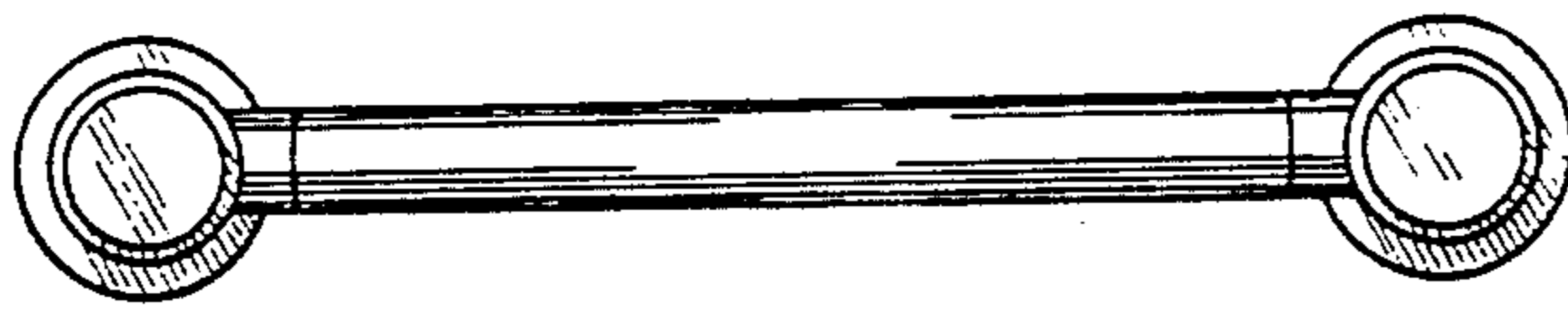


FIG. 5

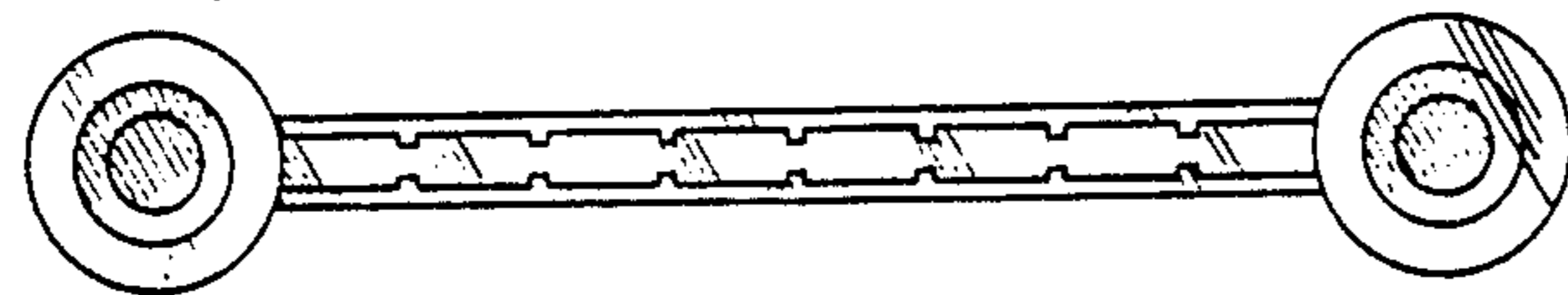


FIG. 6