

[54] SIMULATIVE TOY CONSTRUCTION ELEMENT

4,685,892 8/1987 Gould et al. 446/95
4,704,313 11/1987 Maier 446/120

[75] Inventor: Jens N. Knudsen, Billund, Denmark

[73] Assignee: Interlego A.G., Baar, Switzerland

[**] Term: 14 Years

[21] Appl. No.: 935,562

[22] Filed: Nov. 26, 1986

[52] U.S. Cl. D21/108

[58] Field of Search D21/108, 121; 446/85,
446/104, 106, 107, 108, 110, 117, 118, 120, 121,
122, 124, 125, 127; D25/52

[56] References Cited

U.S. PATENT DOCUMENTS

D. 290,722 7/1987 Kushner D21/108
3,367,063 2/1968 Bondesen et al. 446/119

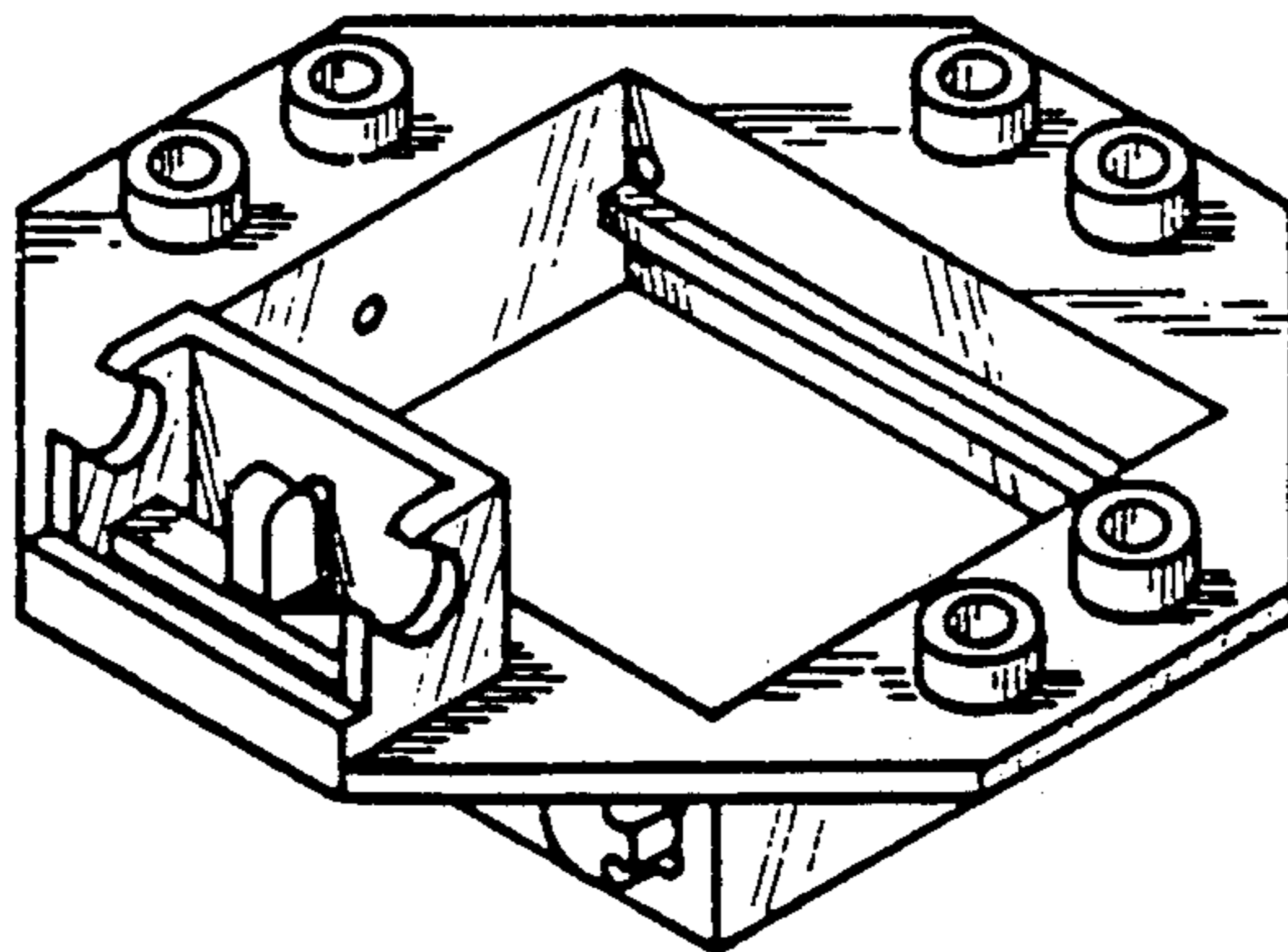
Primary Examiner—Charles A. Rademaker
Attorney, Agent, or Firm—Kane, Dalsimer, Sullivan,
Kurucz, Levy, Eisele and Richard

[57] CLAIM

The ornamental design for a simulative toy construction element, as shown and described.

DESCRIPTION

FIG. 1 is a top perspective view of the simulative toy construction element showing my new design, FIG. 2 is a bottom perspective view thereof, FIG. 3 is a front elevational view thereof, FIG. 4 is a side elevational view thereof the side opposite being a mirror image, FIG. 5 is a top plan view thereof, FIG. 6 is a bottom plan view thereof, and FIG. 7 is a rear elevational view thereof.



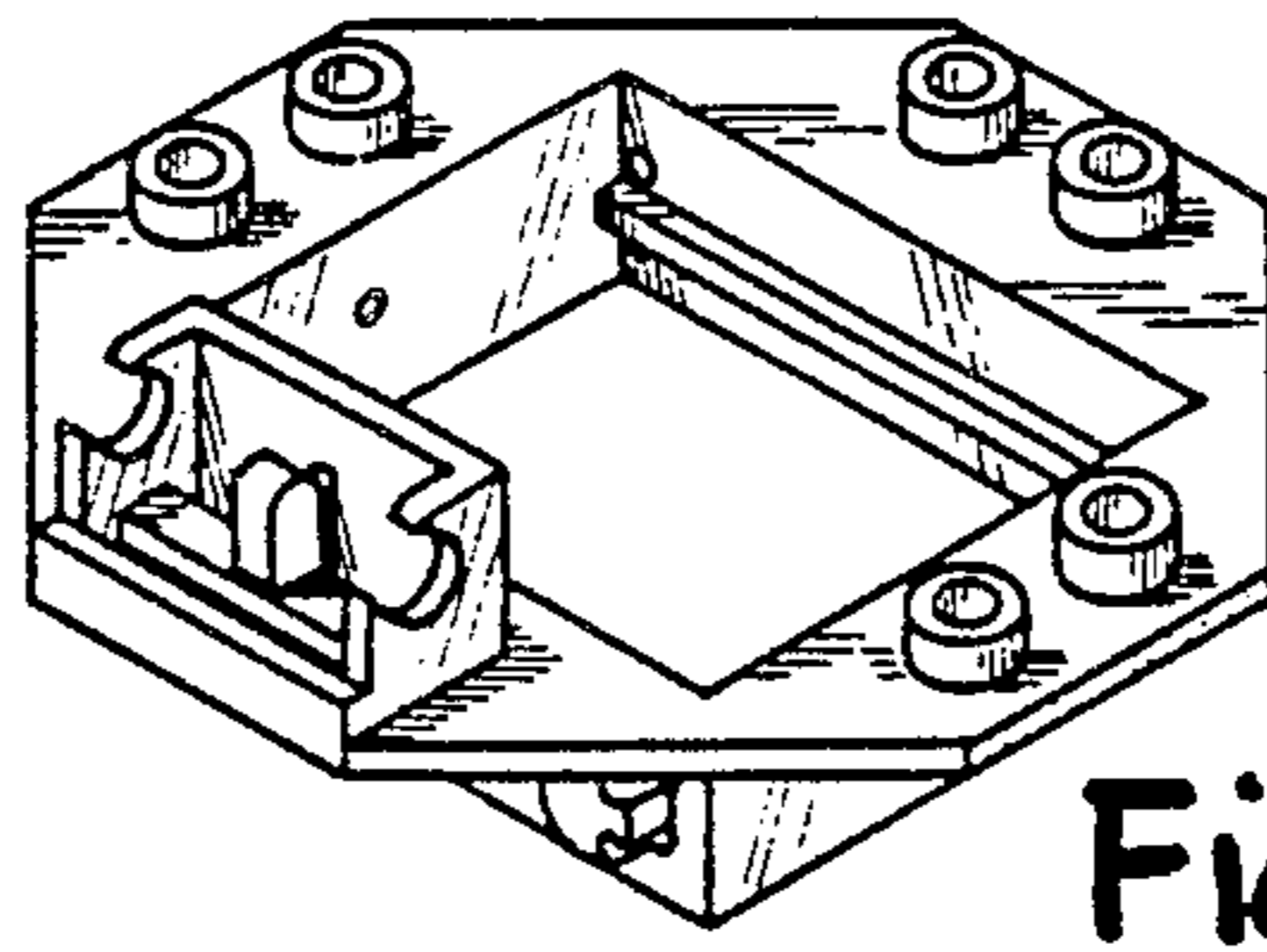


Fig. 1

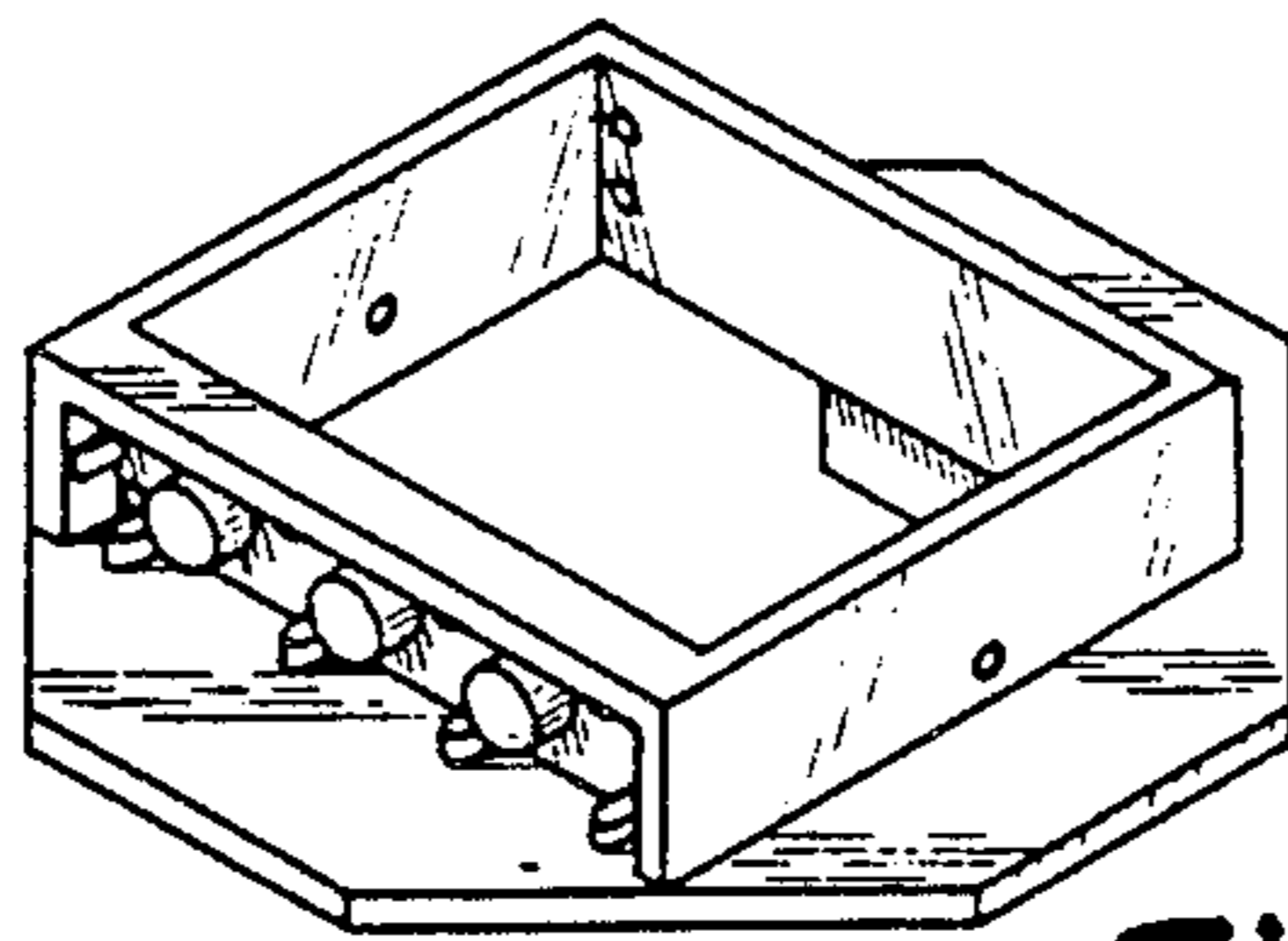


Fig. 2

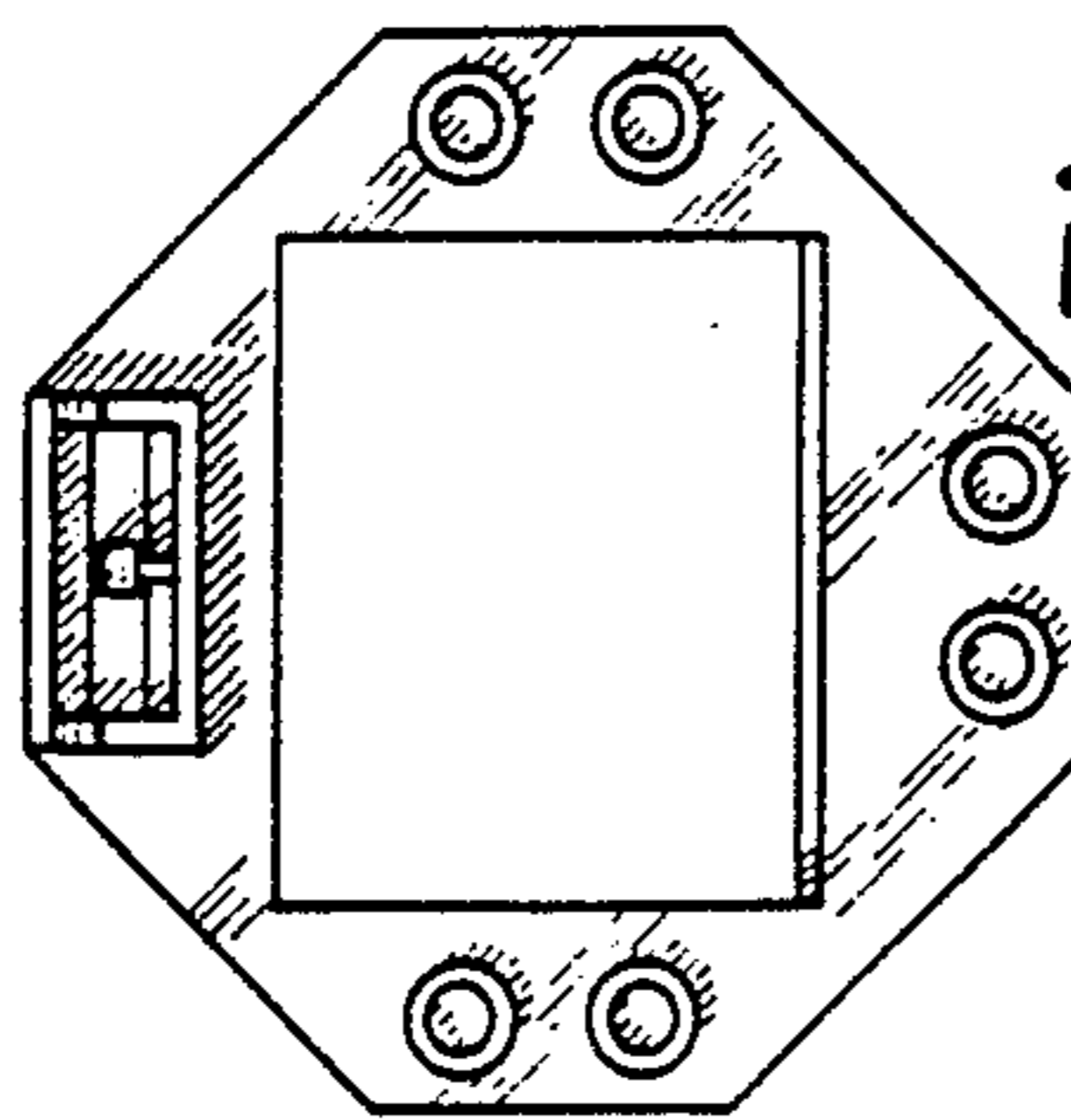


Fig. 5

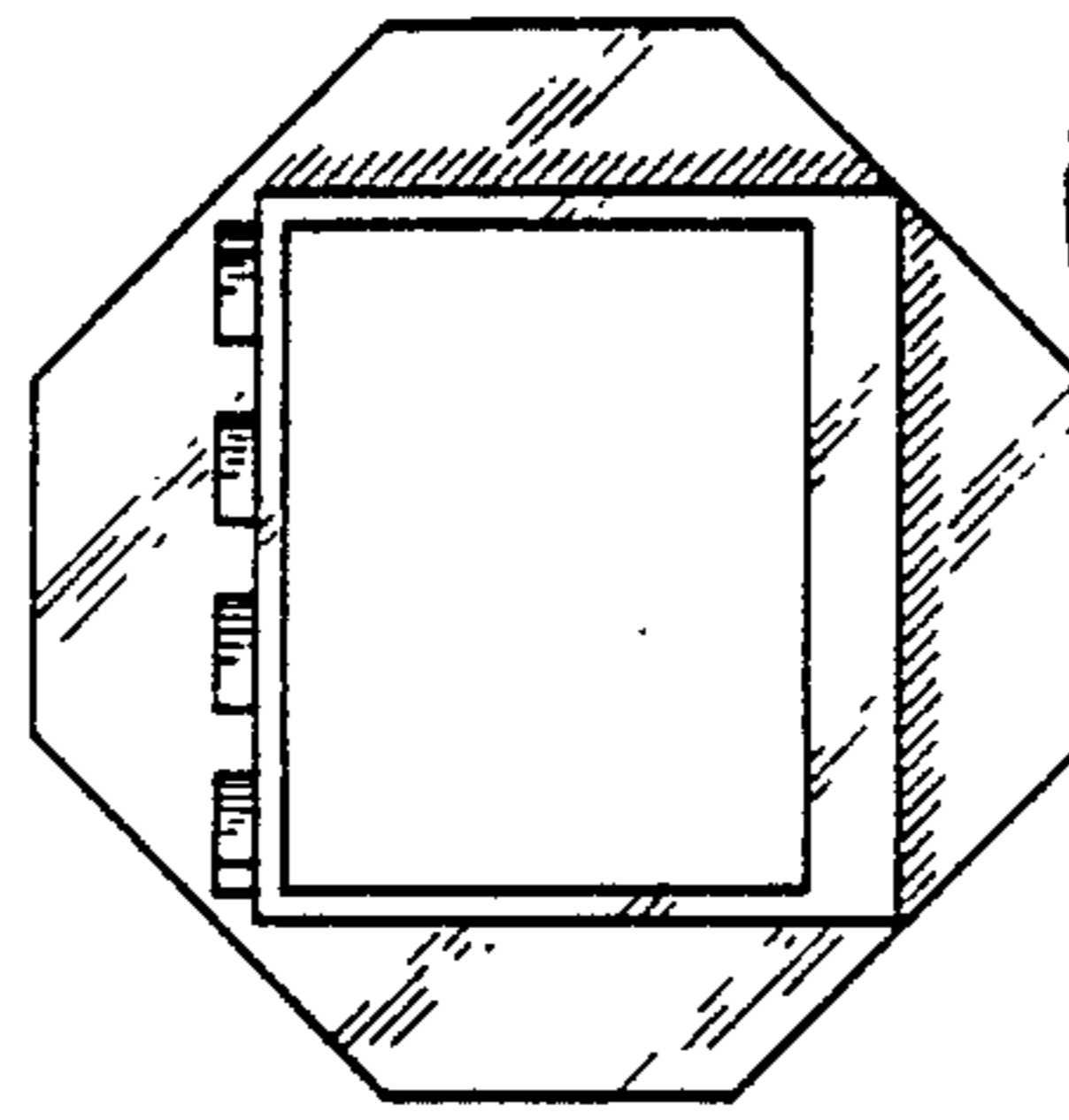


Fig. 6

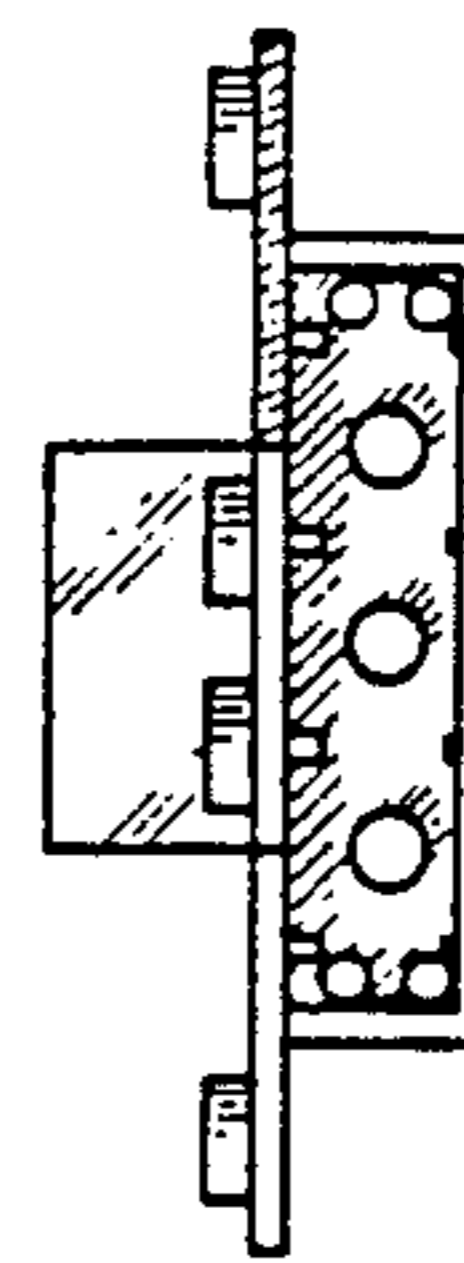


Fig. 7

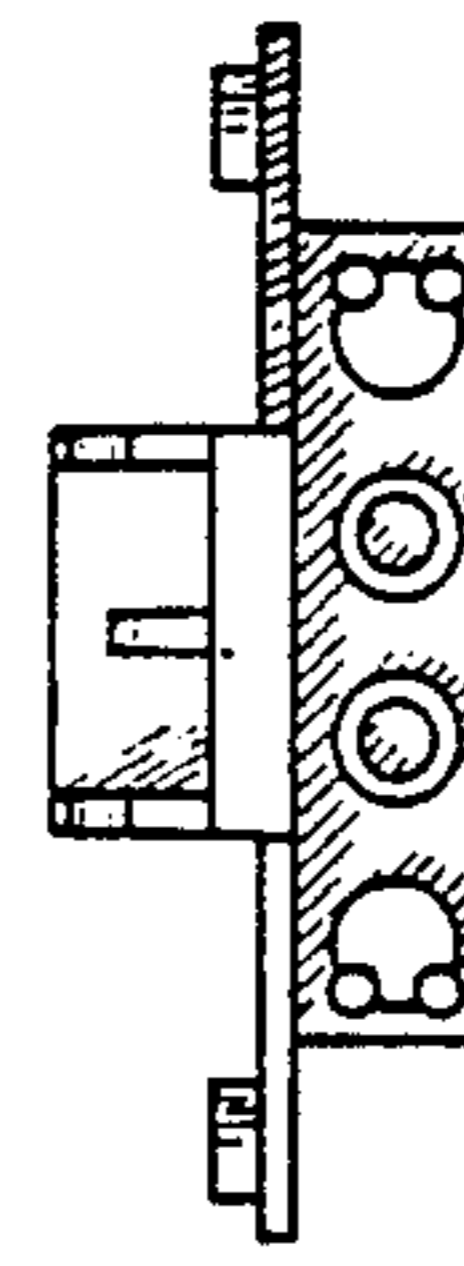


Fig. 3

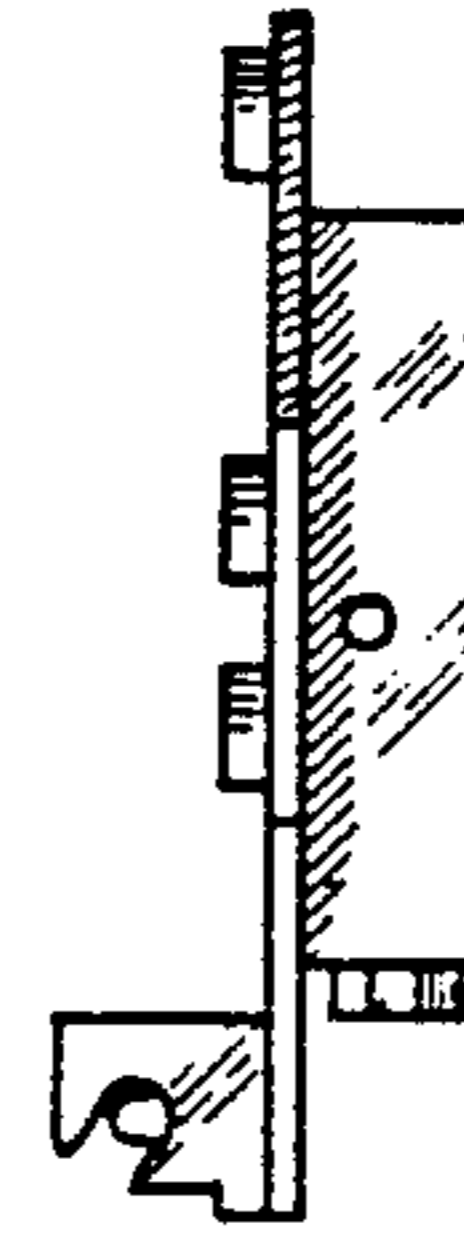


Fig. 4