

[54] ELECTRONIC COPYING MACHINE

[75] Inventor: Kunio Hara, Chiba, Japan

[73] Assignee: Kabushiki Kaisha Toshiba, Kawasaki, Japan

[**] Term: 14 Years

[21] Appl. No.: 793,300

[22] Filed: Oct. 31, 1985

[30] Foreign Application Priority Data

May 10, 1985 [JP] Japan 60-18869

[52] U.S. Cl. D16/31; D14/107

[58] Field of Search D16/27-32; D14/94, 107, 114; 355/3 R, 3 SH, 5-11, 18-19, 54-55, 64-65, 14 R, 14 SH; 358/285, 286, 256

[56] References Cited

U.S. PATENT DOCUMENTS

D. 265,096	6/1982	Masaki	D16/31
D. 268,582	4/1983	Kikuchi	D14/94
D. 278,825	5/1985	Saito	D16/32
D. 282,667	2/1986	Hara	D16/32
D. 284,475	7/1986	Manabe	D14/107
D. 286,296	10/1986	Hara	D16/32

OTHER PUBLICATIONS

The Dempa Sinbun showing Canon's New Copying Machine, Japan, 5/25/84.

Canon's Laser Copier Np-9030 Catalogue, Japan. Hitachi Kiki's Image Scanner SCoi Catalogue, Japan obtained Sep. 26, 1984.

Richo's Image Scanner IS20 Catalogue, Japan, obtained 3/28/85.

Primary Examiner—Nelson C. Holtje
Attorney, Agent, or Firm—Banner, Birch, McKie & Beckett

CLAIM

[57] The ornamental design for an electronic copying machine, as shown.

DESCRIPTION

FIG. 1 is a top, front and left side perspective view of an electronic copying machine showing my new design, FIG. 2 is a front elevational view thereof, FIG. 3 is a top plan view thereof, FIG. 4 is a rear elevational view thereof, FIG. 5 is a bottom plan view thereof, FIG. 6 is a right side elevational view thereof, and FIG. 7 is a left side elevational view thereof.

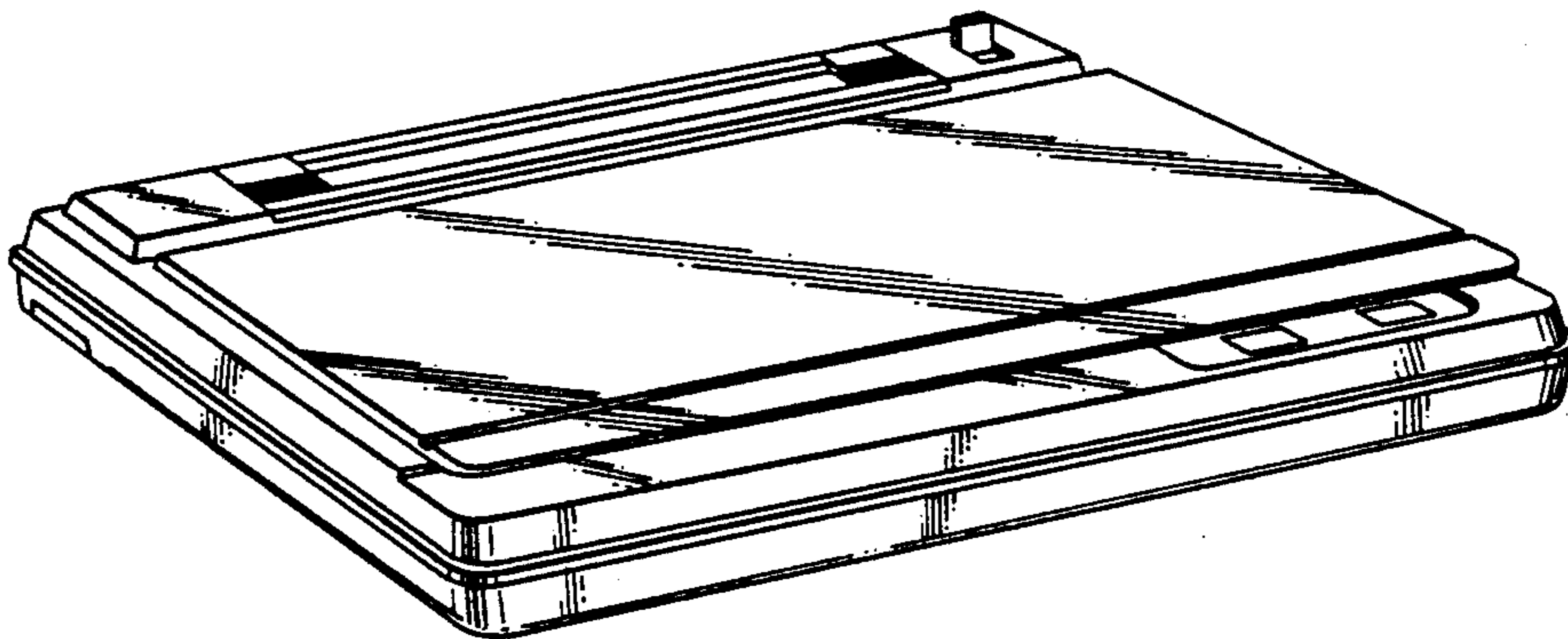


FIG. 1

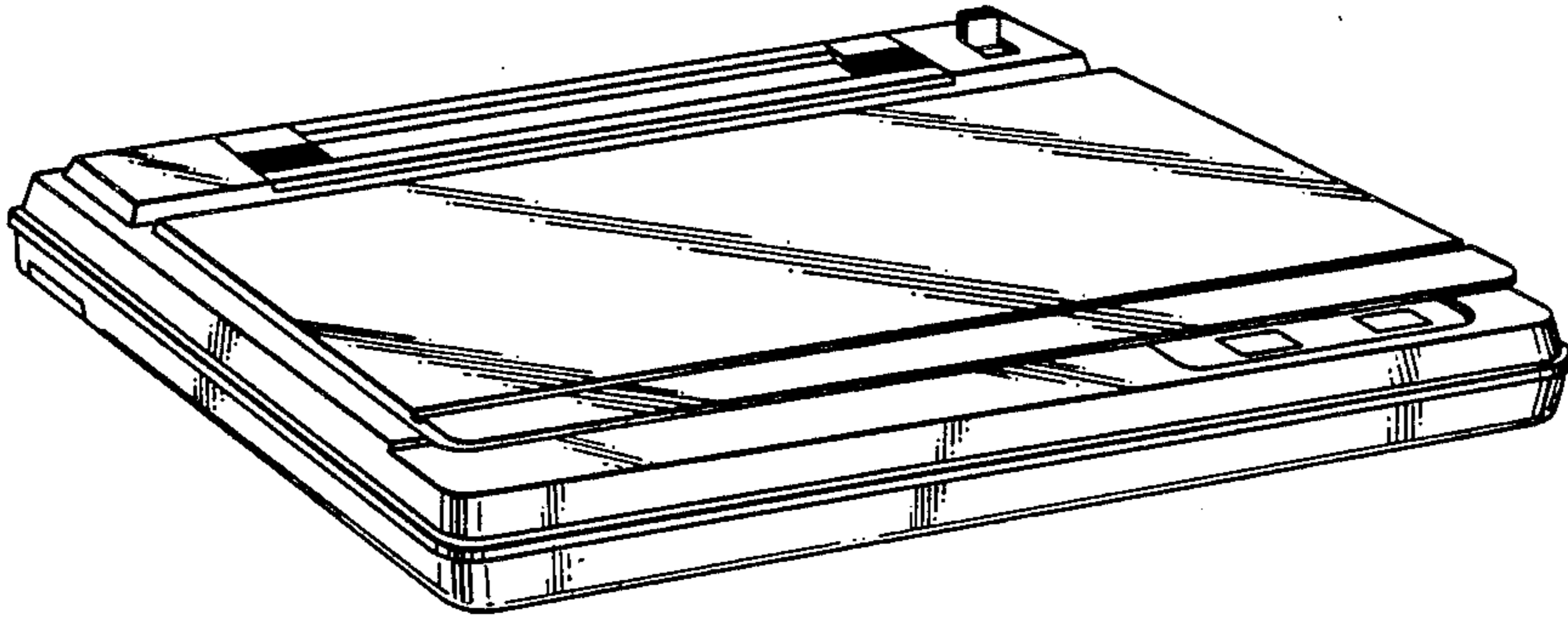


FIG. 2



FIG. 3

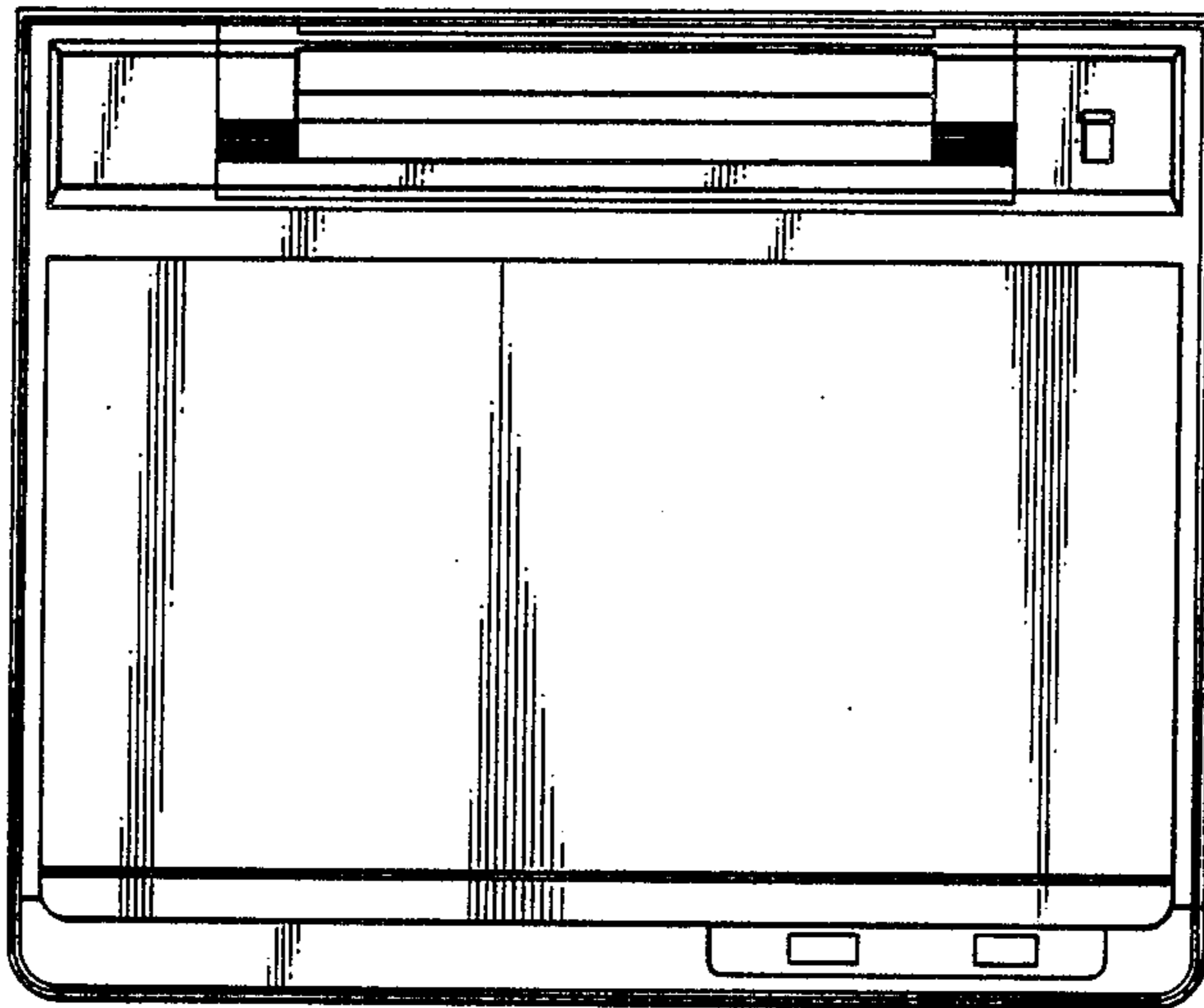


FIG. 4

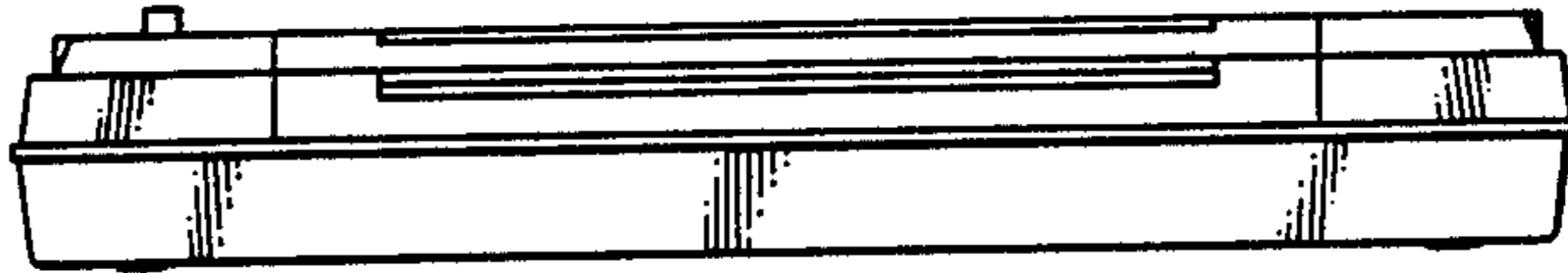


FIG. 5

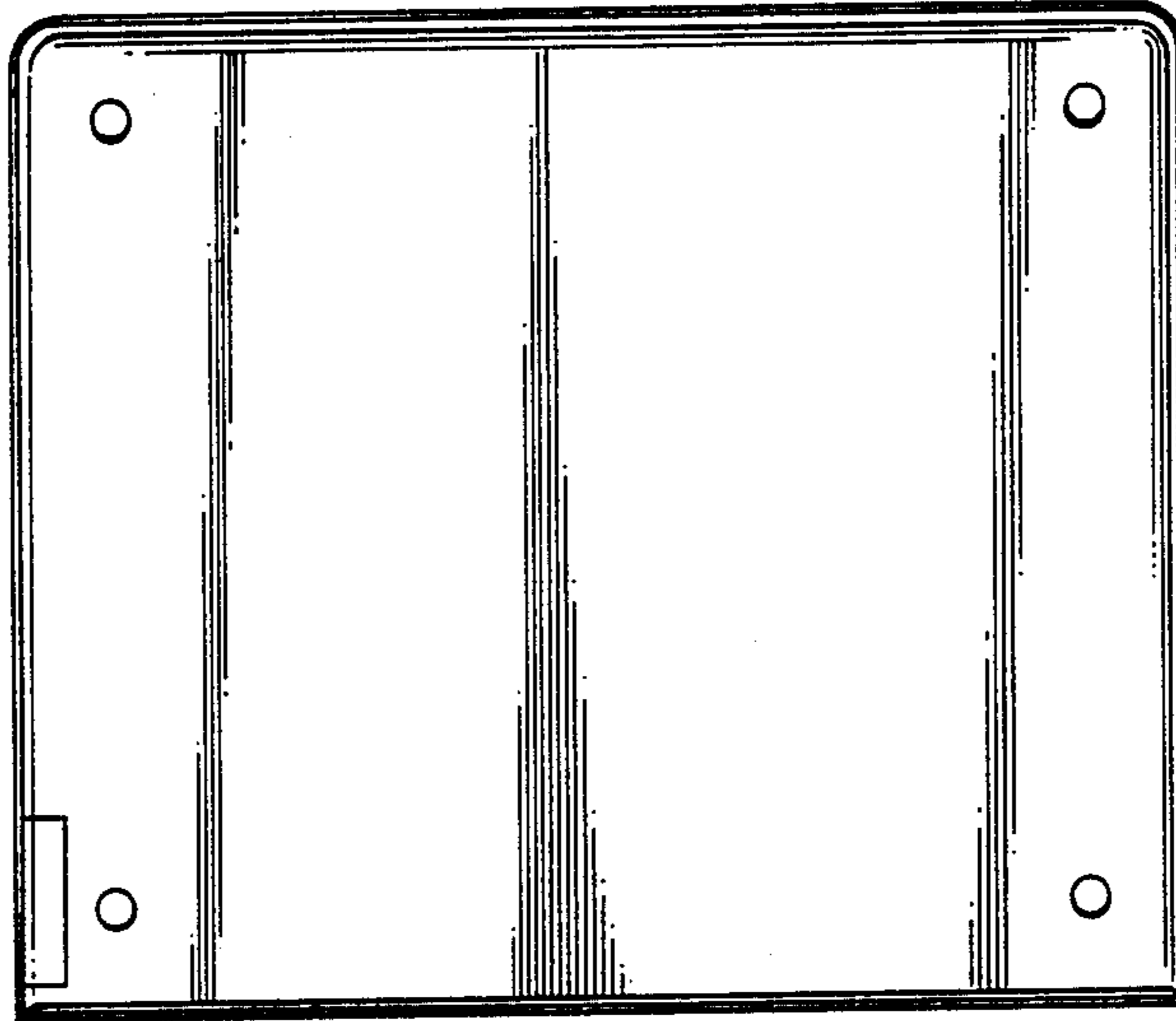


FIG. 6

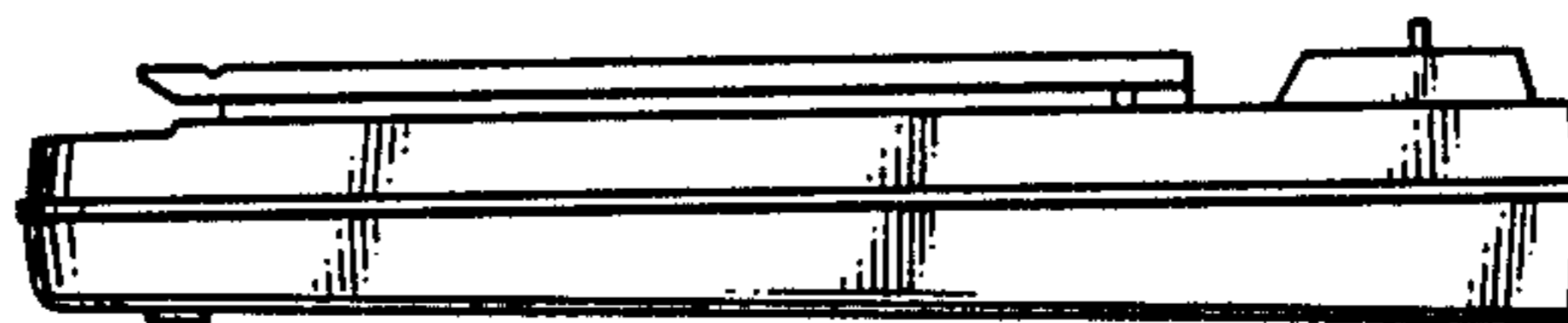


FIG. 7

