

[54] CAMERA

[75] Inventor: Ritsuko Inoue, Tokyo, Japan

[73] Assignee: Ricoh Company, Ltd., Tokyo, Japan

[**] Term: 14 Years

[21] Appl. No.: 923,694

[22] Filed: Oct. 27, 1986

[30] Foreign Application Priority Data

Apr. 30, 1986 [JP] Japan 61-016,262

[52] U.S. Cl. D16/6; D16/1

[58] Field of Search D16/1-10;
354/83-86, 149.11, 152, 173.1, 173.11, 204, 212,
288 A-288 F, 288 M, 288 P, 288 U

[56] References Cited

U.S. PATENT DOCUMENTS

- D. 238,613 1/1976 Waaske D16/1 X
- D. 289,175 4/1987 Noda D16/6
- D. 290,712 7/1987 Shis D16/6
- D. 291,579 8/1987 Ito et al. D16/1 X
- 4,653,883 3/1987 Maeno 354/149.11 R

OTHER PUBLICATIONS

33 mm Photography, 9/85, p. 28, top-Olympus XA4 Macro.

35 mm Photography, 9/85, p. 35, bottom.

35 mm Photography, 7/85, p. 27, top right-Vivitar PS:30.

35 mm Photography, 9/85, p. 59, bottom-Ricoh FF-70.

Primary Examiner—Bernard Ansher

Assistant Examiner—Theodore M. Shooman

Attorney, Agent, or Firm—Oblon, Fisher, Spivak, McClelland & Maier

[57] CLAIM

The ornamental design for camera, as shown and described.

DESCRIPTION

FIG. 1 is a front and top-right perspective view of a camera showing my new design;

FIG. 2 is a rear and top-left perspective view thereof;

FIG. 3 is a bottom plan view thereof;

FIG. 4 is a front and top-right perspective view thereof with the lens cover in a closed position; and

FIG. 5 is a front and top-right perspective view thereof with the flash in an extended position.

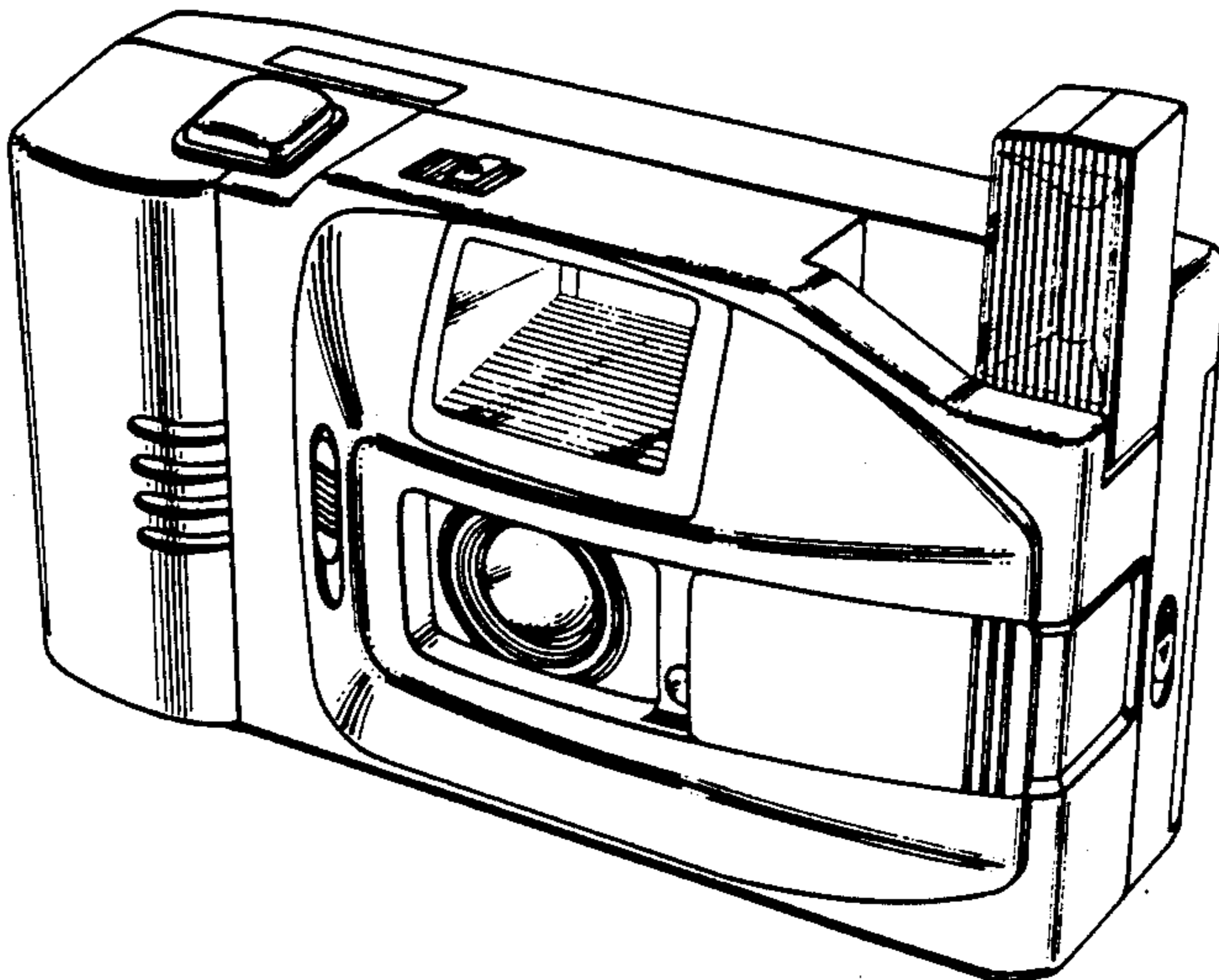
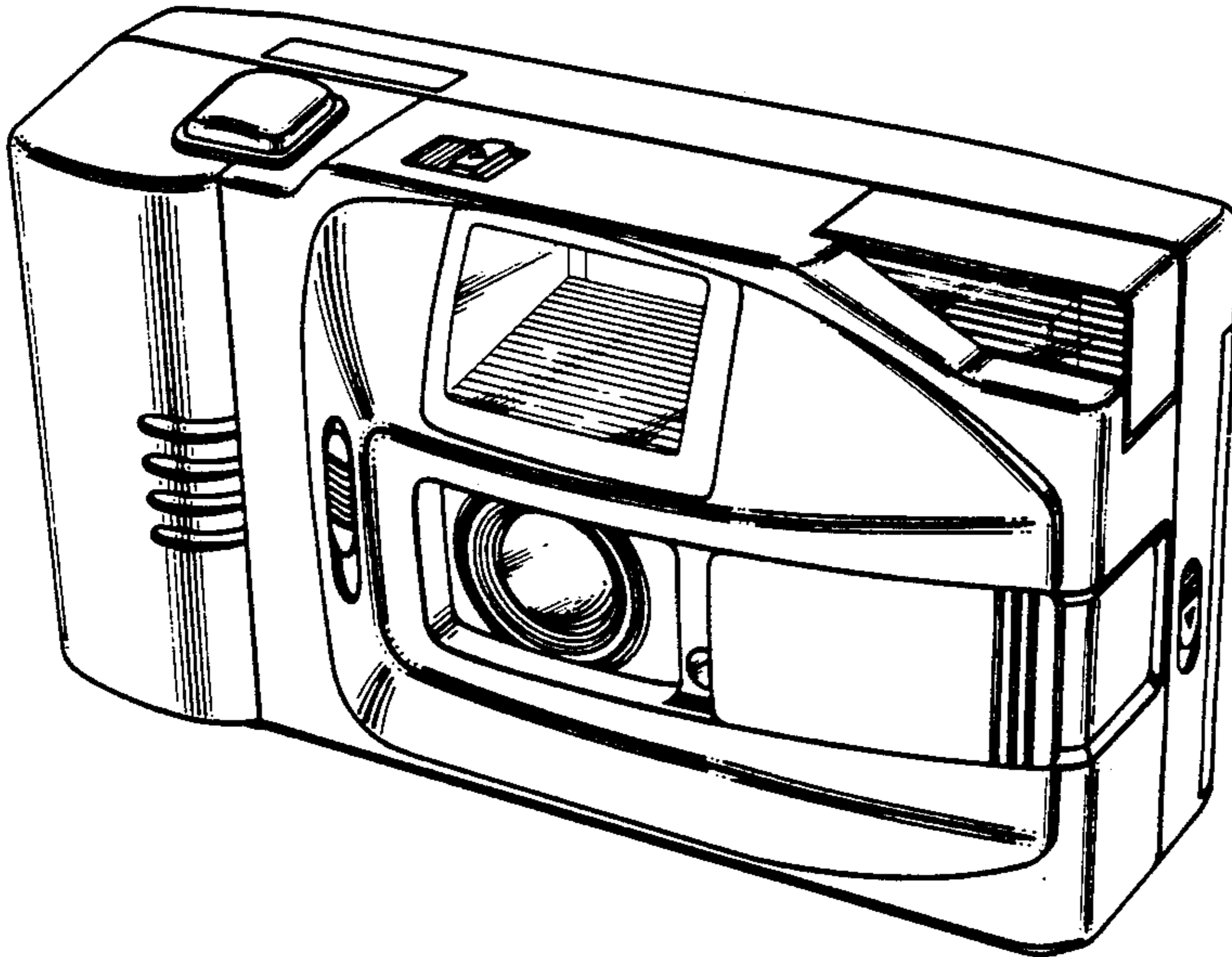


FIG. 1

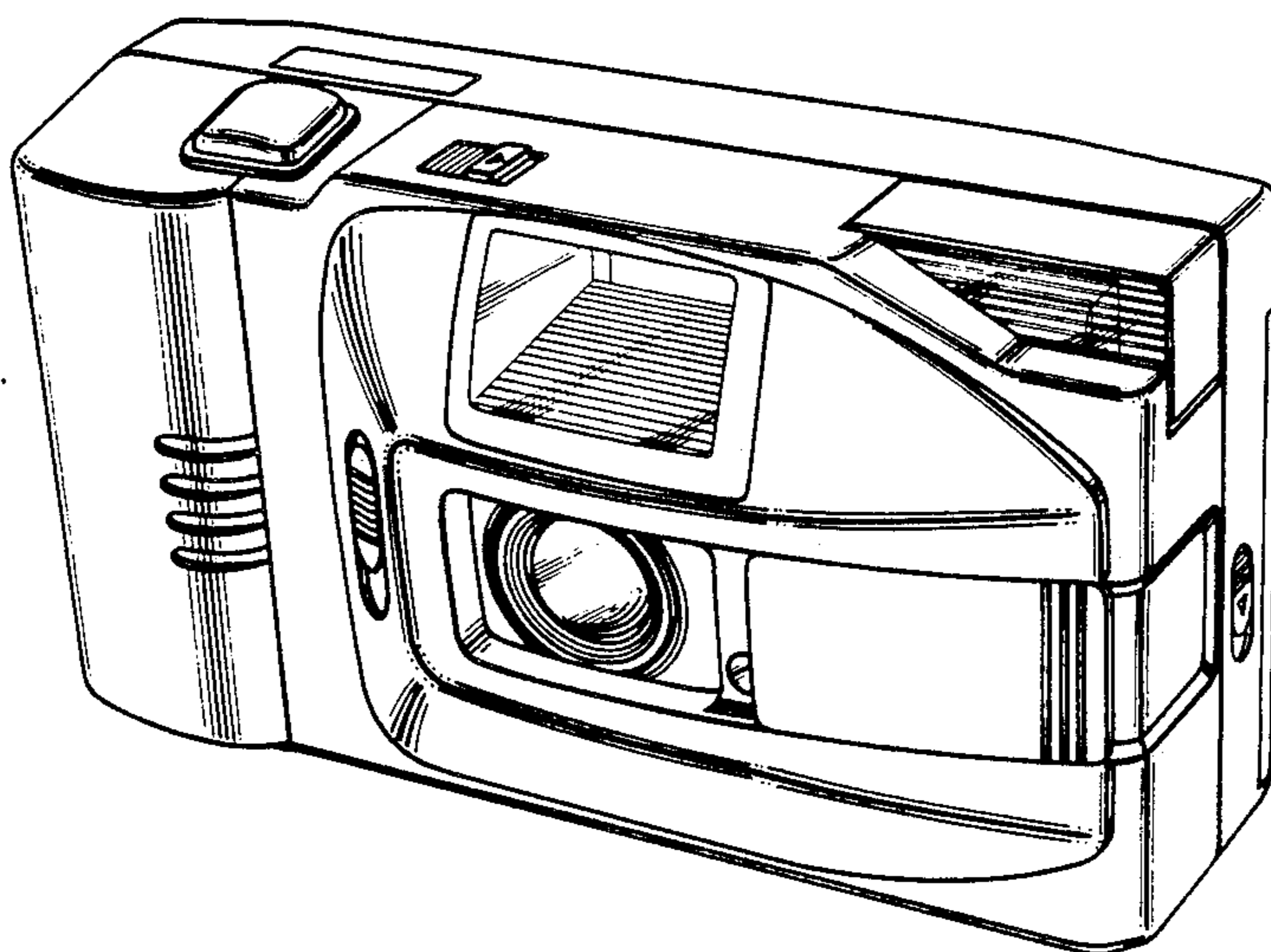


FIG. 2

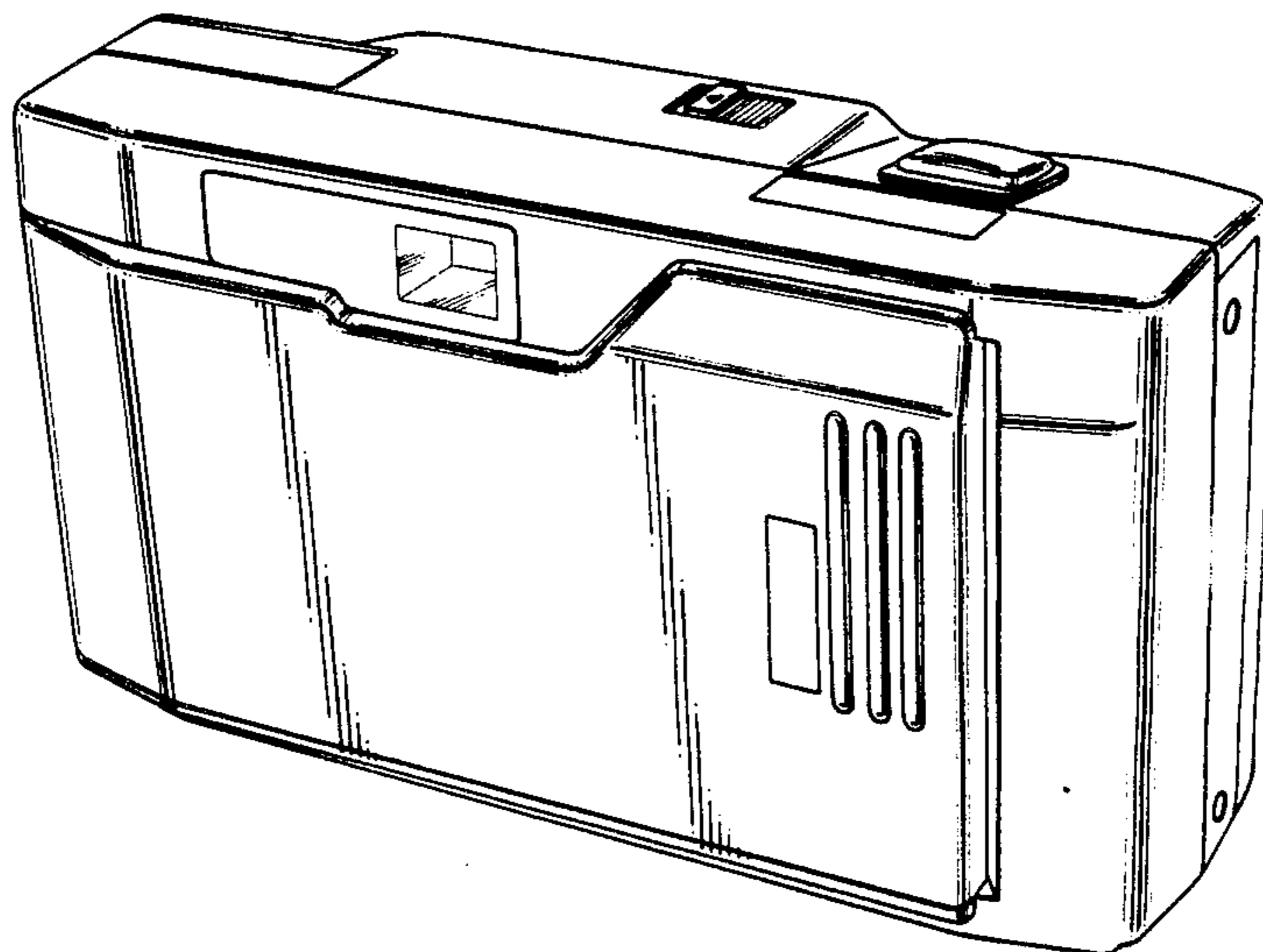


FIG. 3

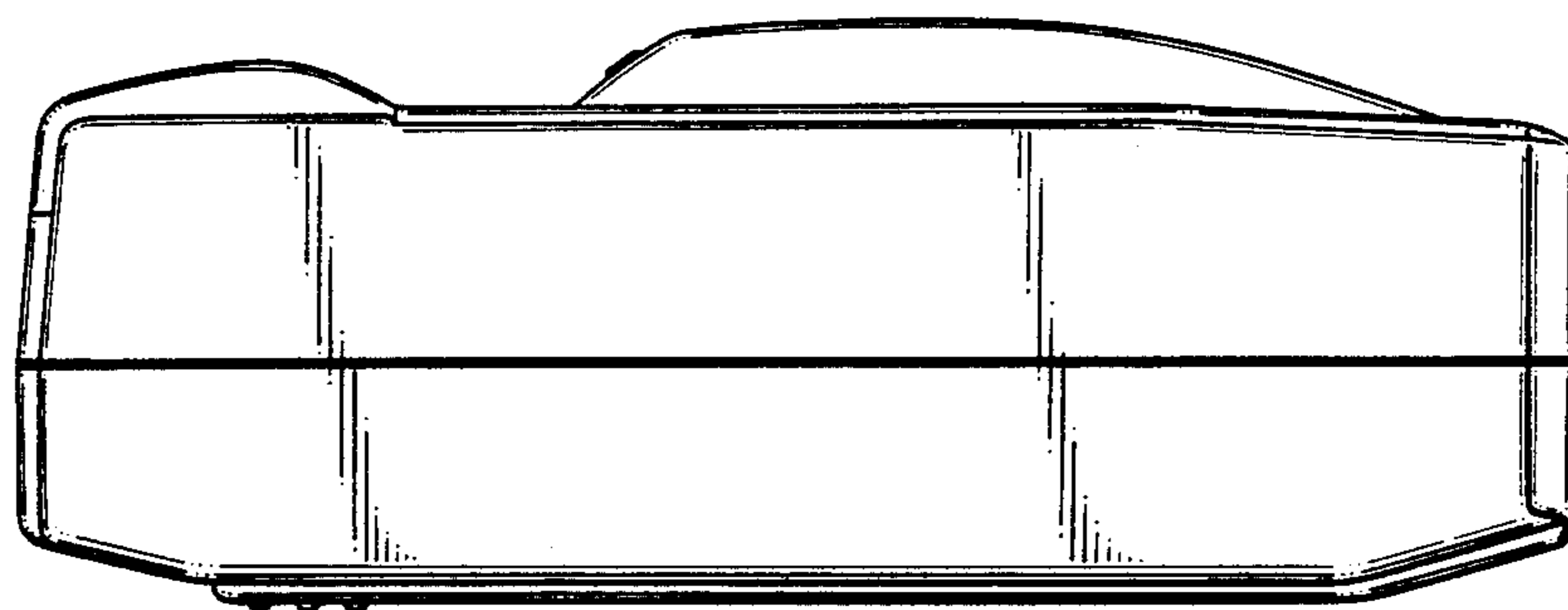


FIG. 4

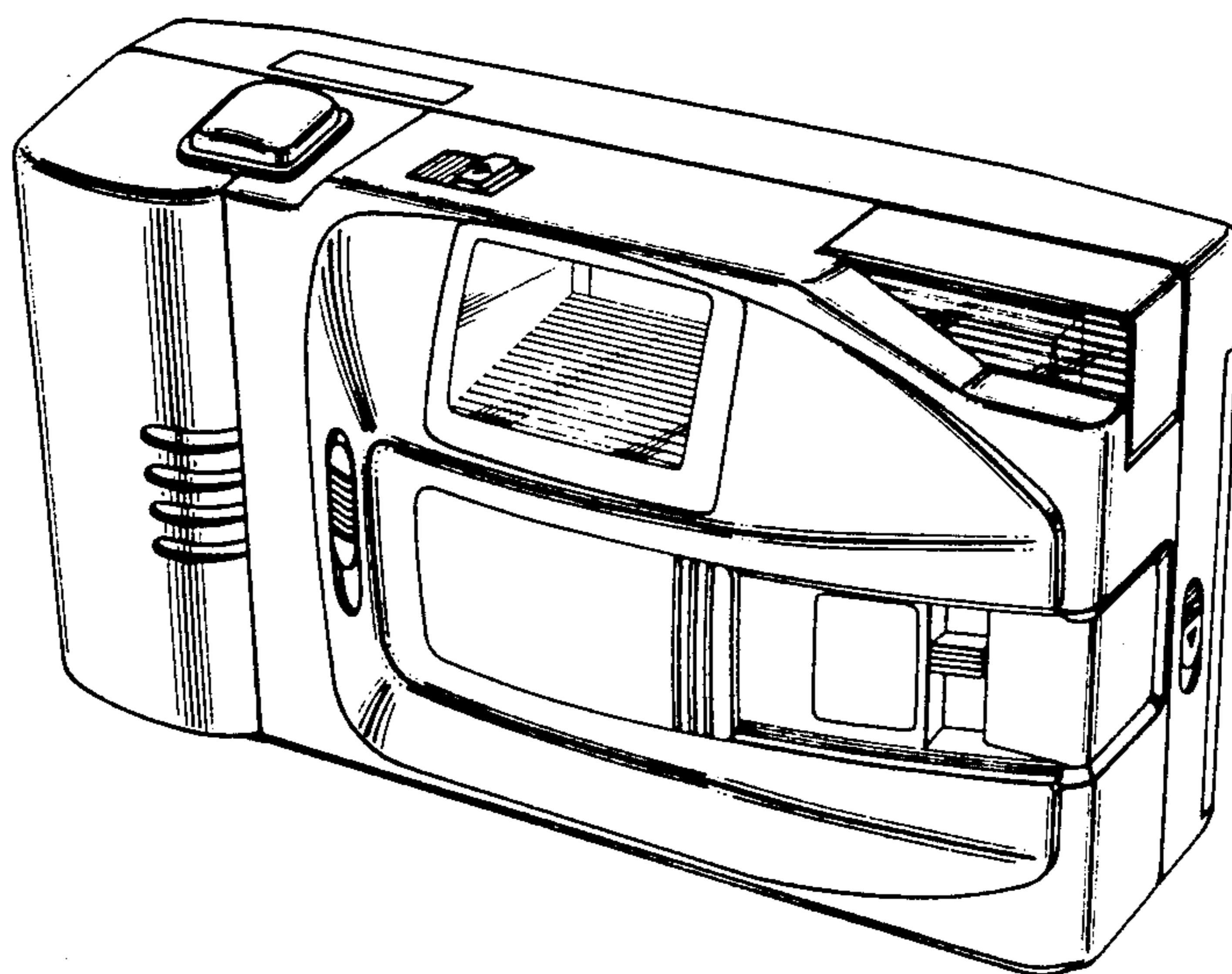


FIG. 5

