

[54] WARM AIR DIVERTER FOR EARTH MOVING MACHINE

[76] Inventor: Kerney T. Sheets, P.O. Box 771, Duplessis, La. 70728

[**] Term: 14 Years

[21] Appl. No.: 704,506

[22] Filed: Feb. 22, 1985

[52] U.S. Cl. D15/28

[58] Field of Search D15/28, 30, 31, 33; 237/12.3 A; 98/2.05, 2.11; 180/68.1, 68.2

[56] References Cited

U.S. PATENT DOCUMENTS

3,606,982	9/1971	Anderson	98/2.11
3,669,203	6/1972	Honda	237/12.3 A
4,093,119	6/1978	Swisher	237/12.3 A
4,252,271	2/1981	Green	98/2.05
4,432,309	2/1984	Hutchinson et al.	123/41.7
4,454,926	6/1984	Akins	123/41.7

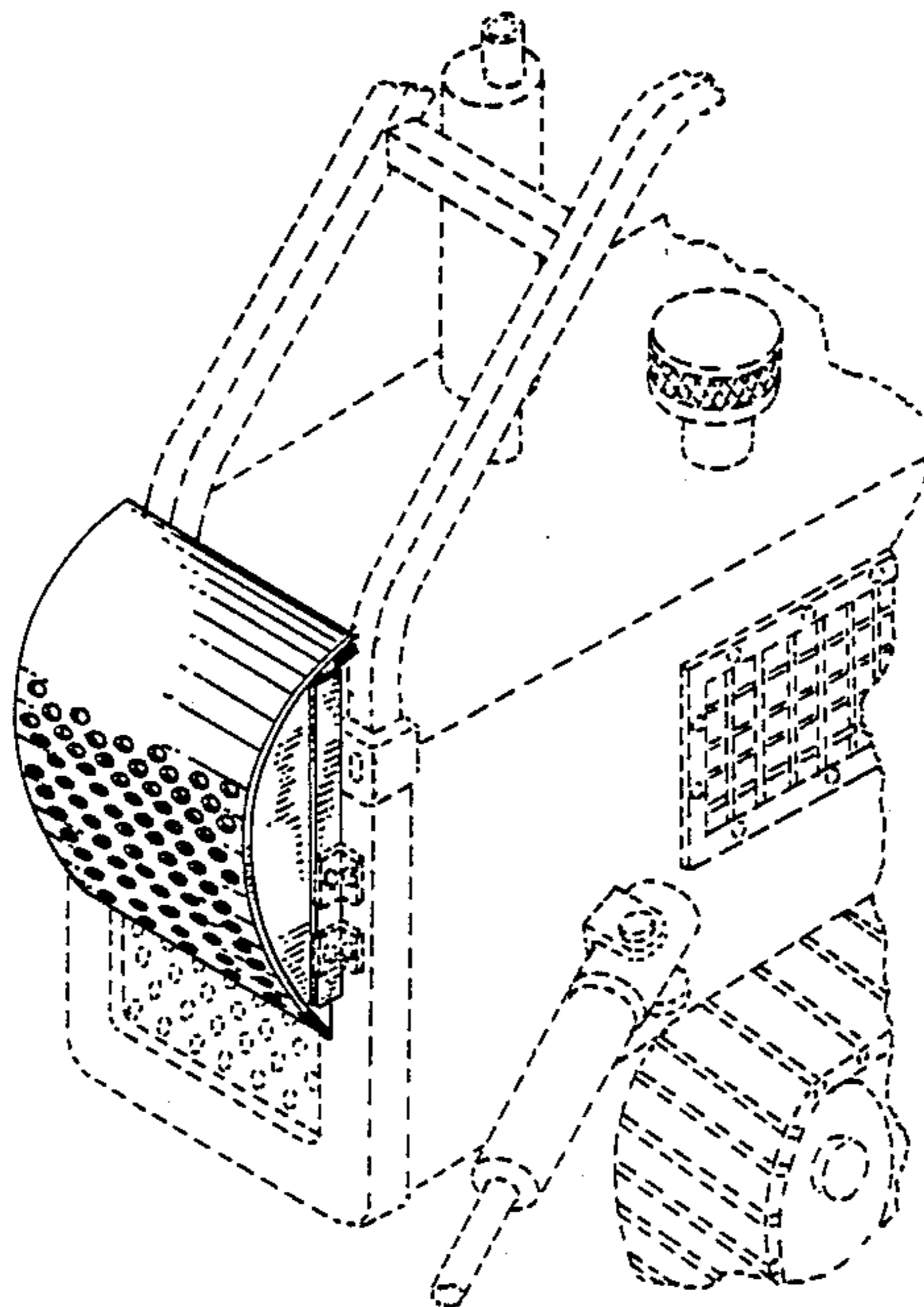
Primary Examiner—Wallace R. Burke
Assistant Examiner—Ruth Takemoto
Attorney, Agent, or Firm—David L. Ray

[57] CLAIM

The ornamental design for a warm air diverter for earth moving machine, as shown and described.

DESCRIPTION

FIG. 1 is a front elevational view of a warm air diverter for earth moving machine, showing my new design; FIG. 2 is a side elevational view thereof; FIG. 3 is a side elevational view thereof, of the opposite side of FIG. 2; FIG. 4 is a rear elevational view thereof; FIG. 5 is a front perspective view thereof; FIG. 6 is a rear perspective thereof; and FIG. 7 is a front perspective view thereof, the earth moving machine is partially shown in broken lines for illustrative purposes only and forms no part of the claimed design.



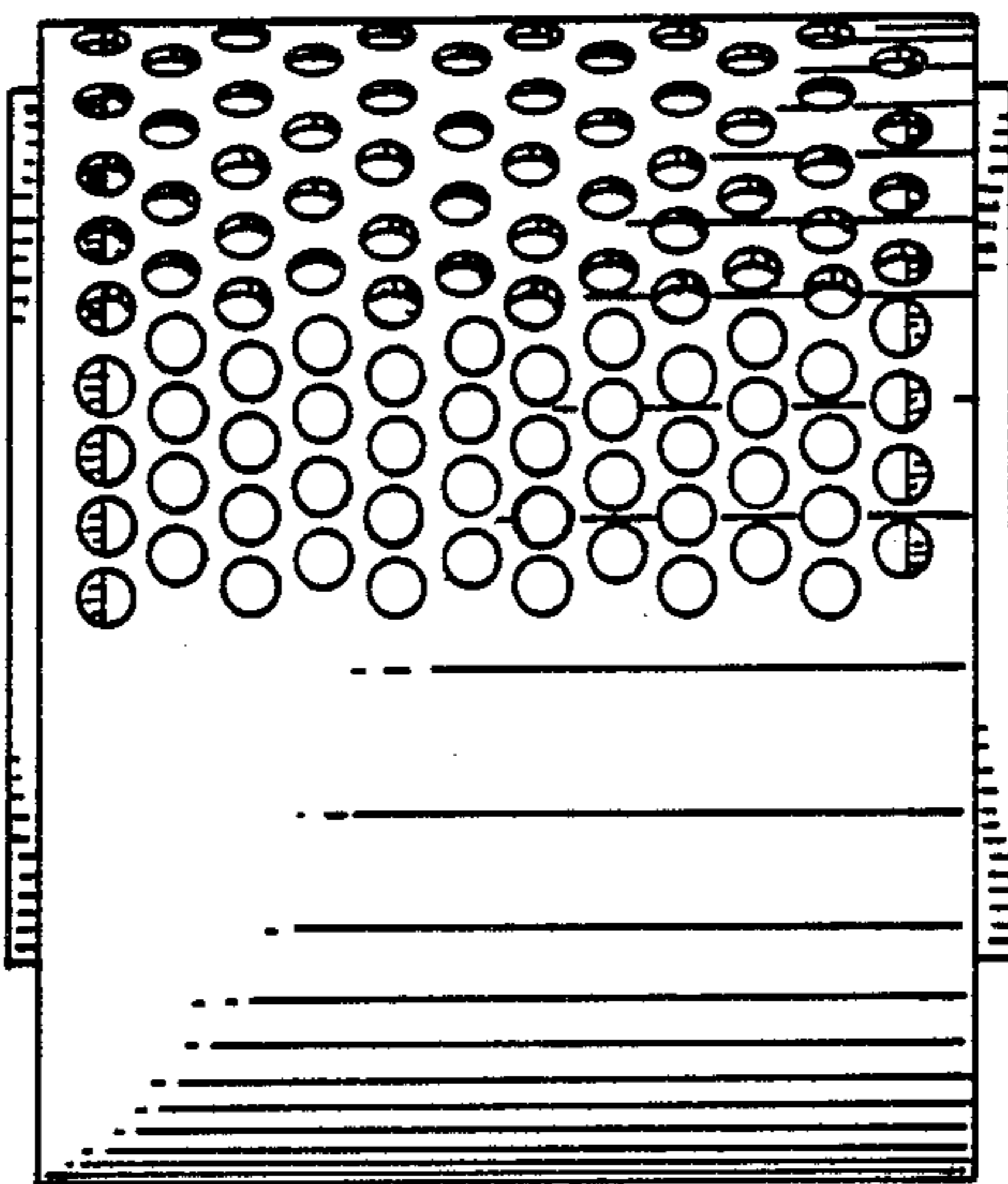


FIG. 1

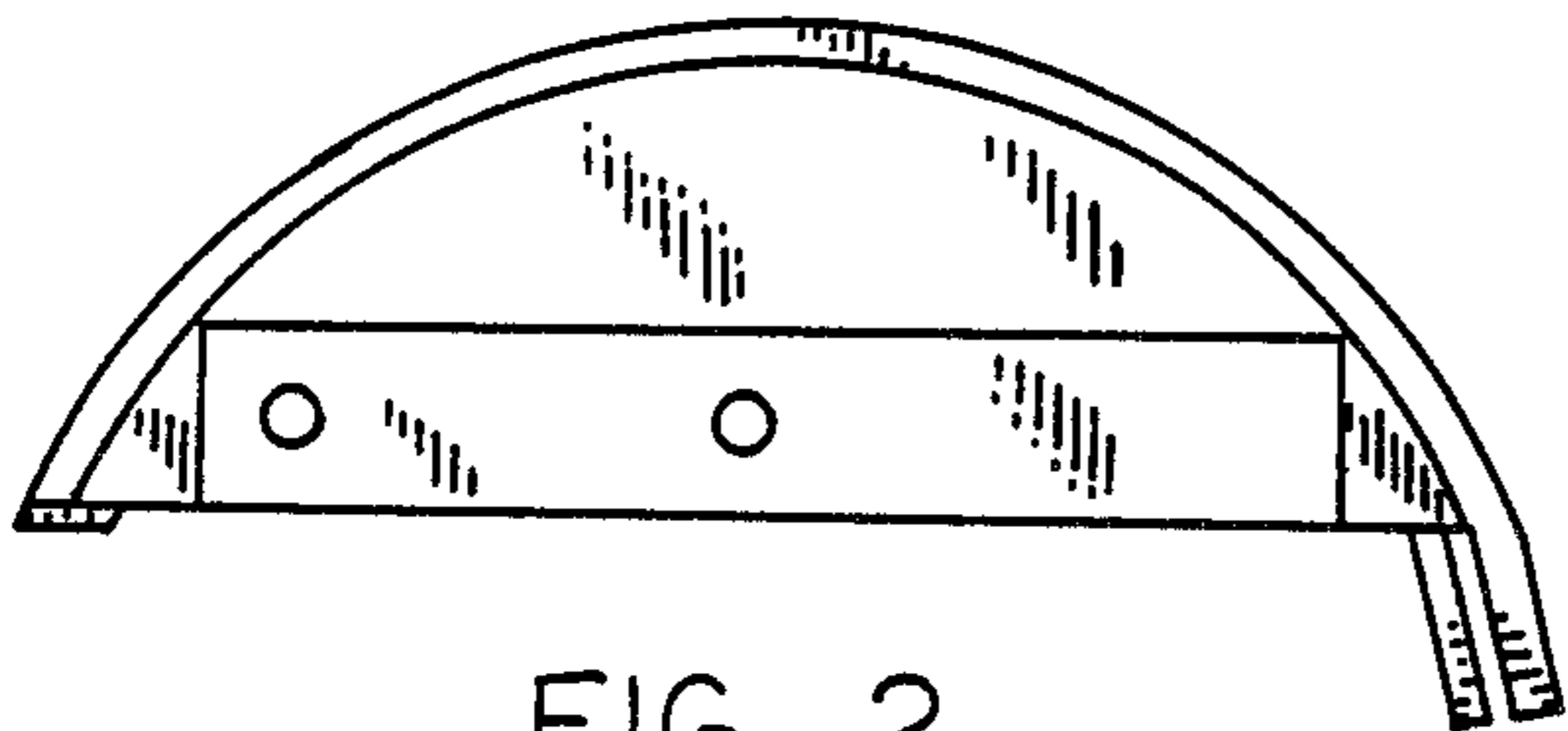


FIG. 2

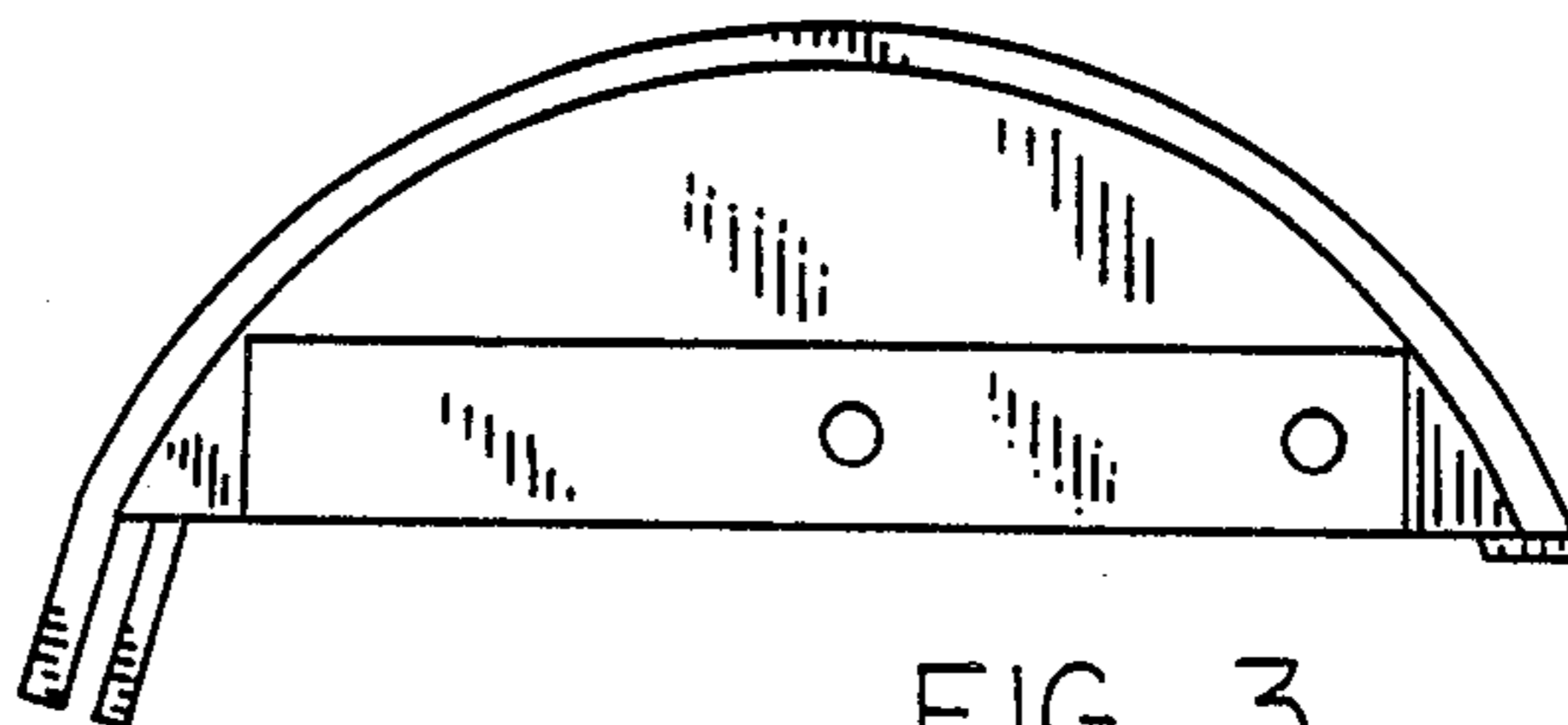


FIG. 3

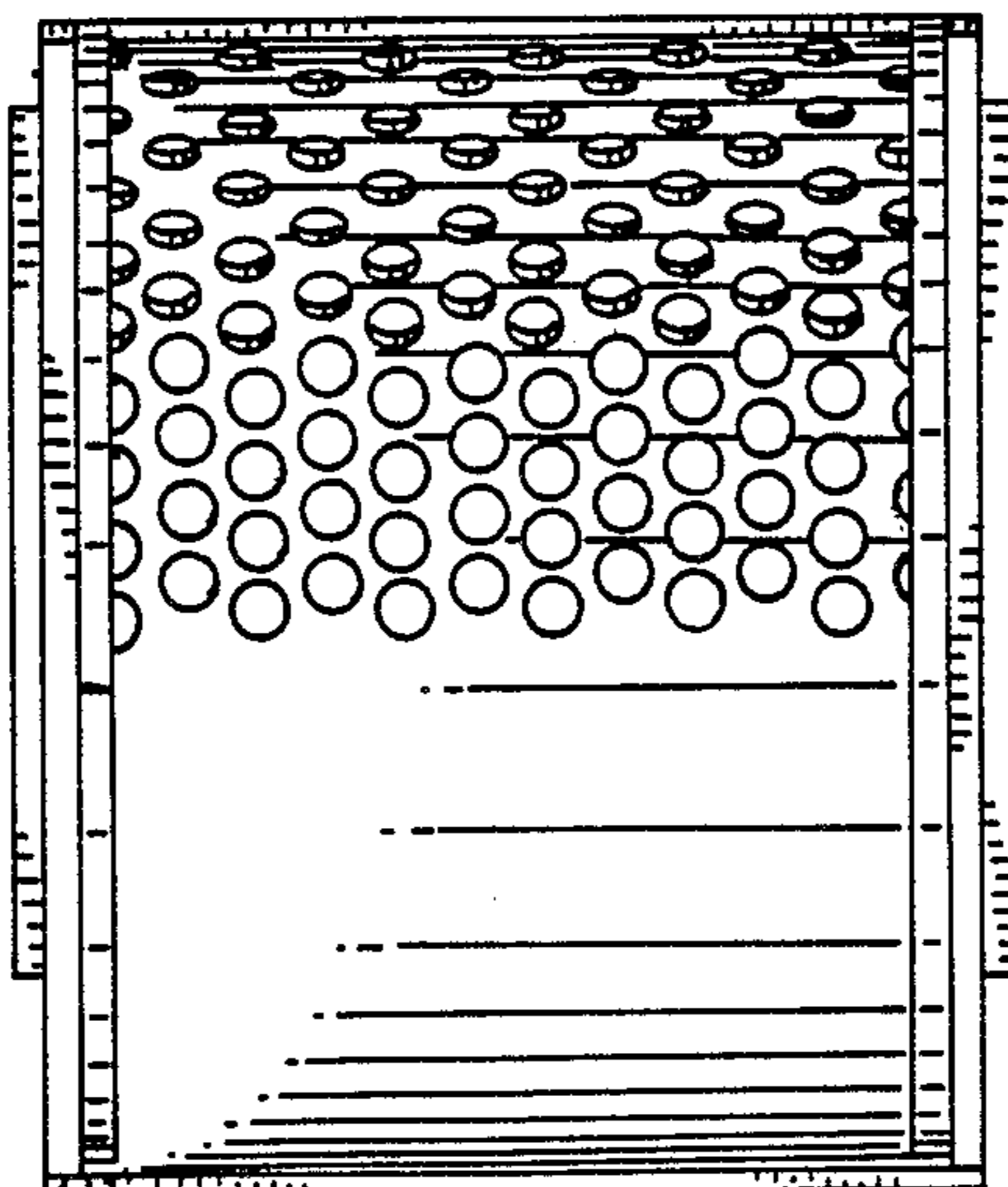


FIG. 4

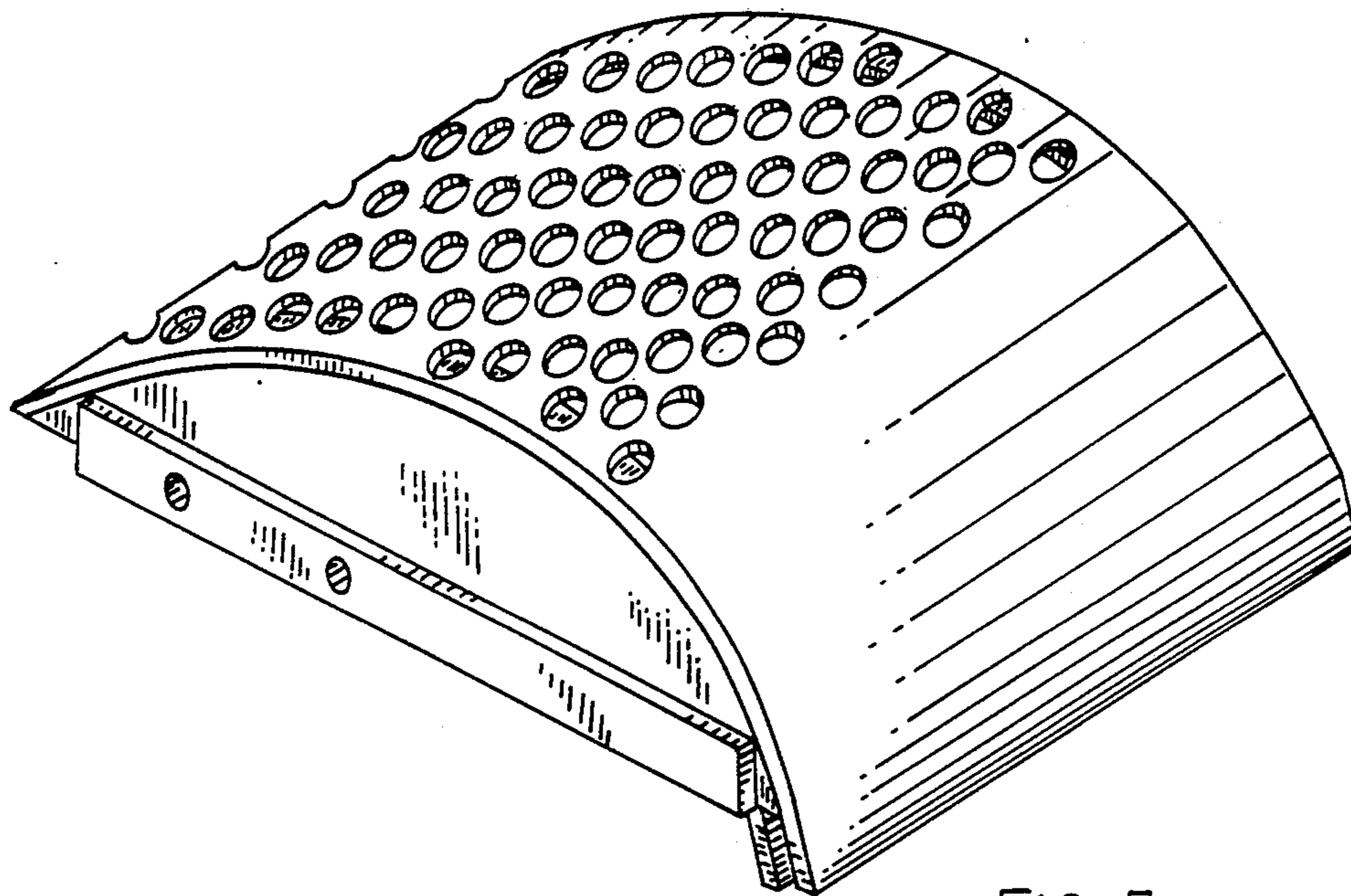


FIG. 5

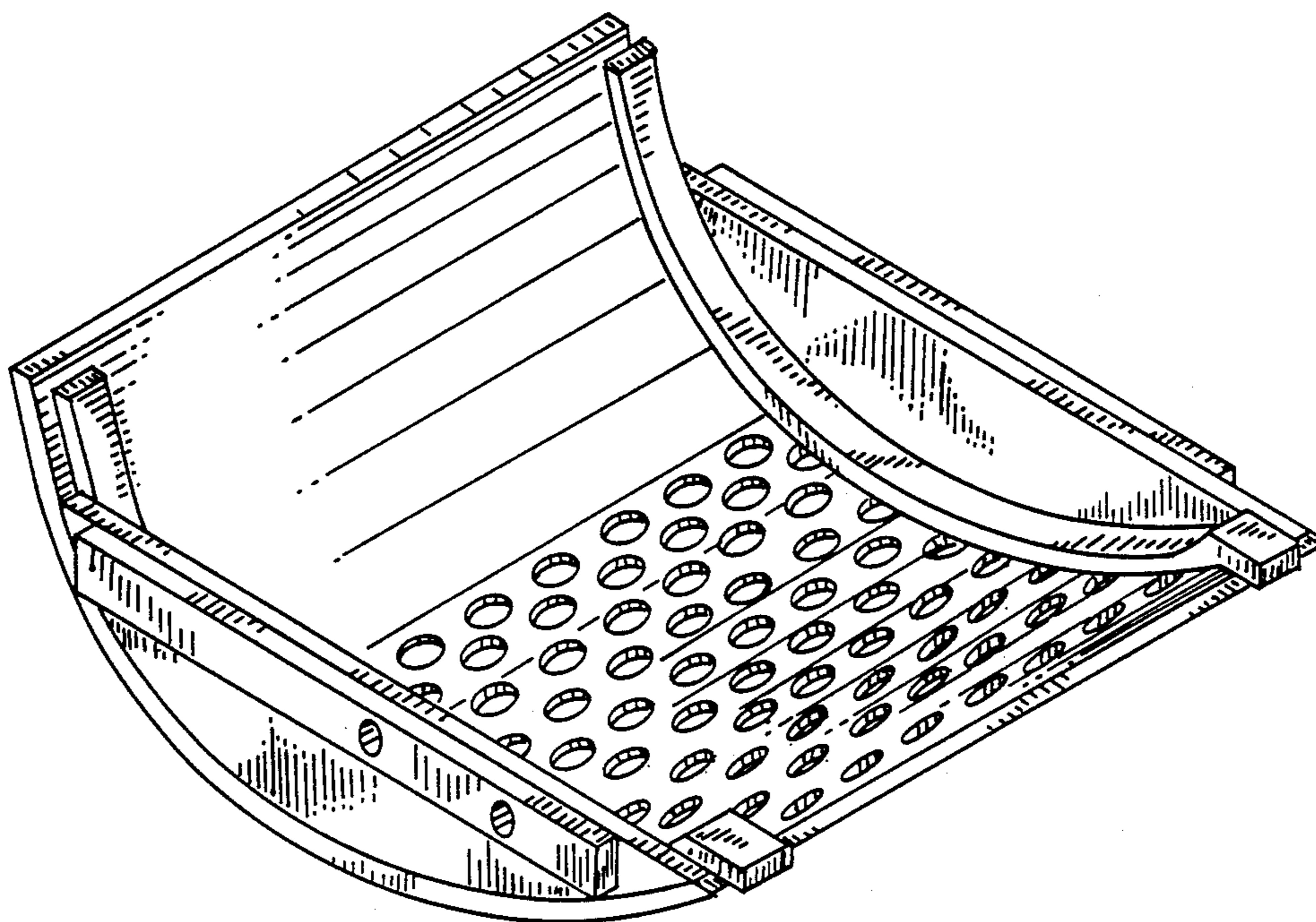


FIG. 6

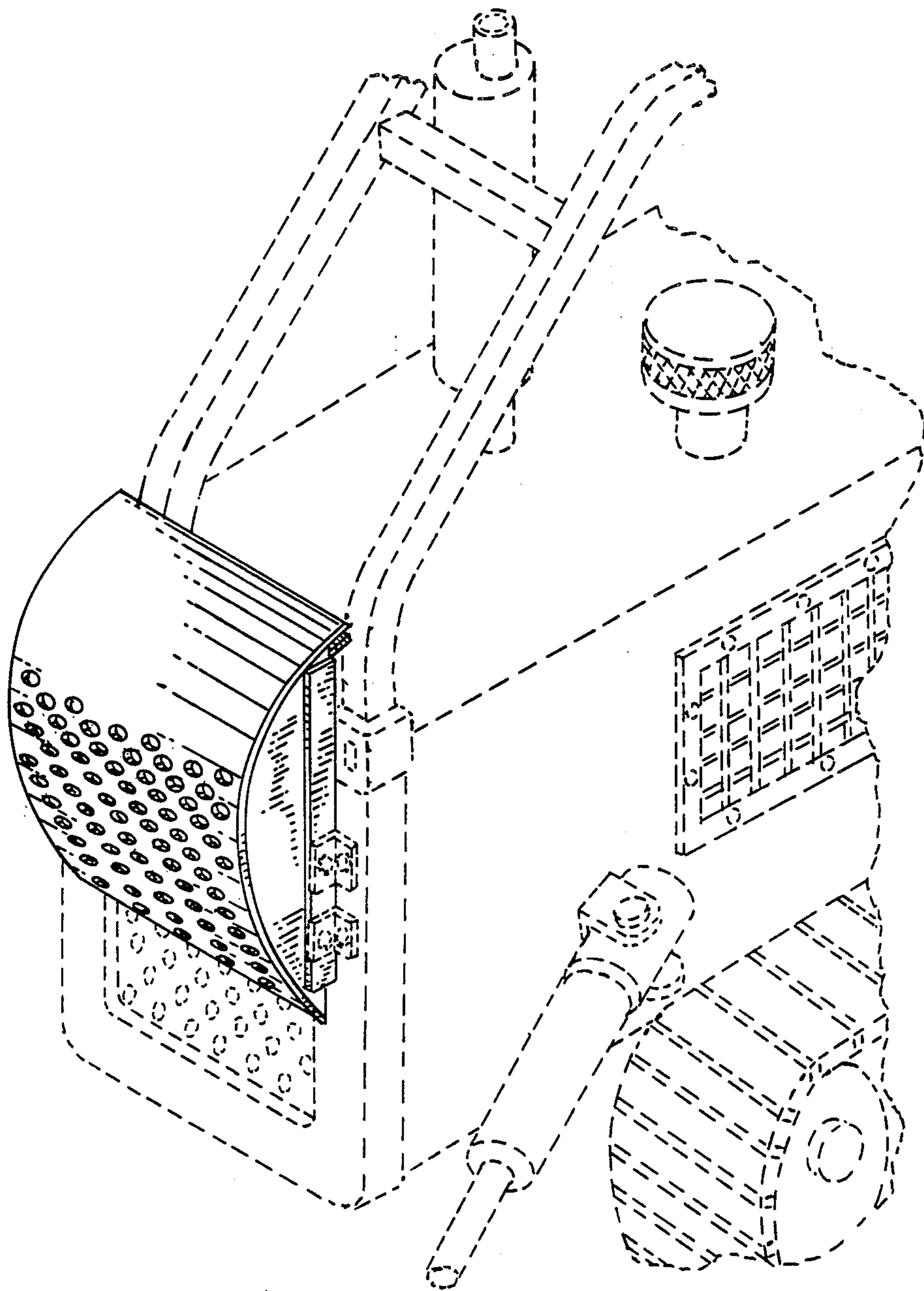


FIG. 7