

[54] OPTICAL CODE READER

4,621,189 11/1986 Kumar et al. 235/454 X

[75] Inventors: Paul R. Davis; Michael G. Brorby; Mathew E. Misch, all of Corvallis, Oreg.

Primary Examiner—Susasn J. Lucas
Attorney, Agent, or Firm—Chernoff, Vilhauer, McClung & Stenzel

[73] Assignee: Videx, Inc., Corvallis, Oreg.

[57] CLAIM

[*] Term: 14 Years

The ornamental design for an optical code reader, as shown and described.

[21] Appl. No.: 882,770

DESCRIPTION

[22] Filed: Jul. 7, 1986

[52] U.S. Cl. D14/116

[58] Field of Search D14/105, 107, 114, 116; 235/454, 470, 472; 250/203 R, 566; 358/285

FIG. 1 is a top plan view of an optical code reader showing our new design;
FIG. 2 is a front elevational view thereof;
FIG. 3 is an inverted rear elevational view thereof;
FIG. 4 is an end elevational view thereof as seen from the left of FIG. 1;
FIG. 5 is an end elevational view thereof as seen from the right of FIG. 1;
FIG. 6 is a bottom plan view thereof;
FIG. 7 is a top, front perspective view thereof on an enlarged scale.

[56] References Cited

U.S. PATENT DOCUMENTS

- D. 190,232 5/1961 Wilkey D14/105
- D. 277,101 1/1985 Hara et al. D14/107
- 4,420,682 12/1983 Huber 235/472
- 4,445,028 4/1984 Huber 235/472

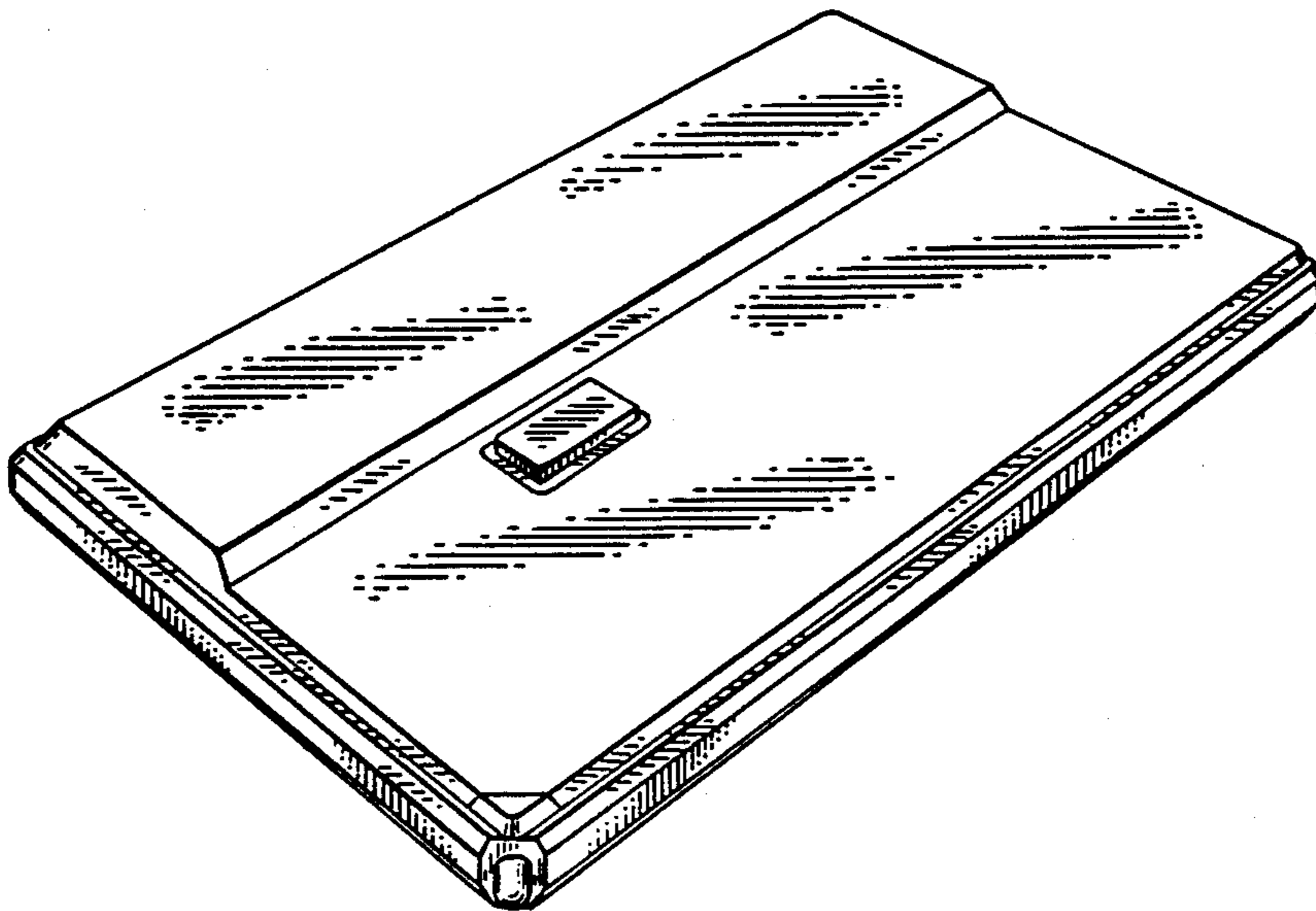


FIG. 3

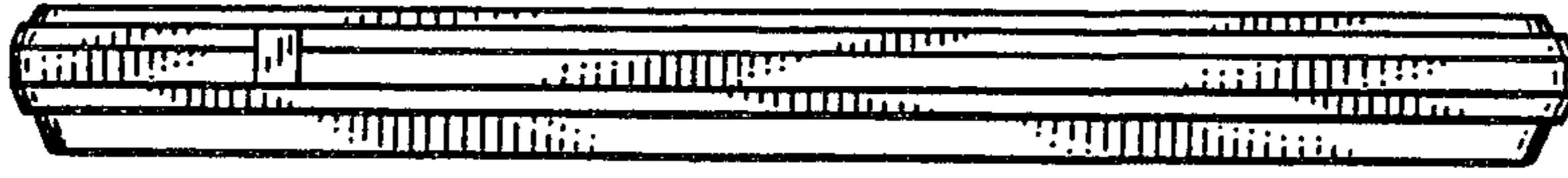


FIG. 4



FIG. 1

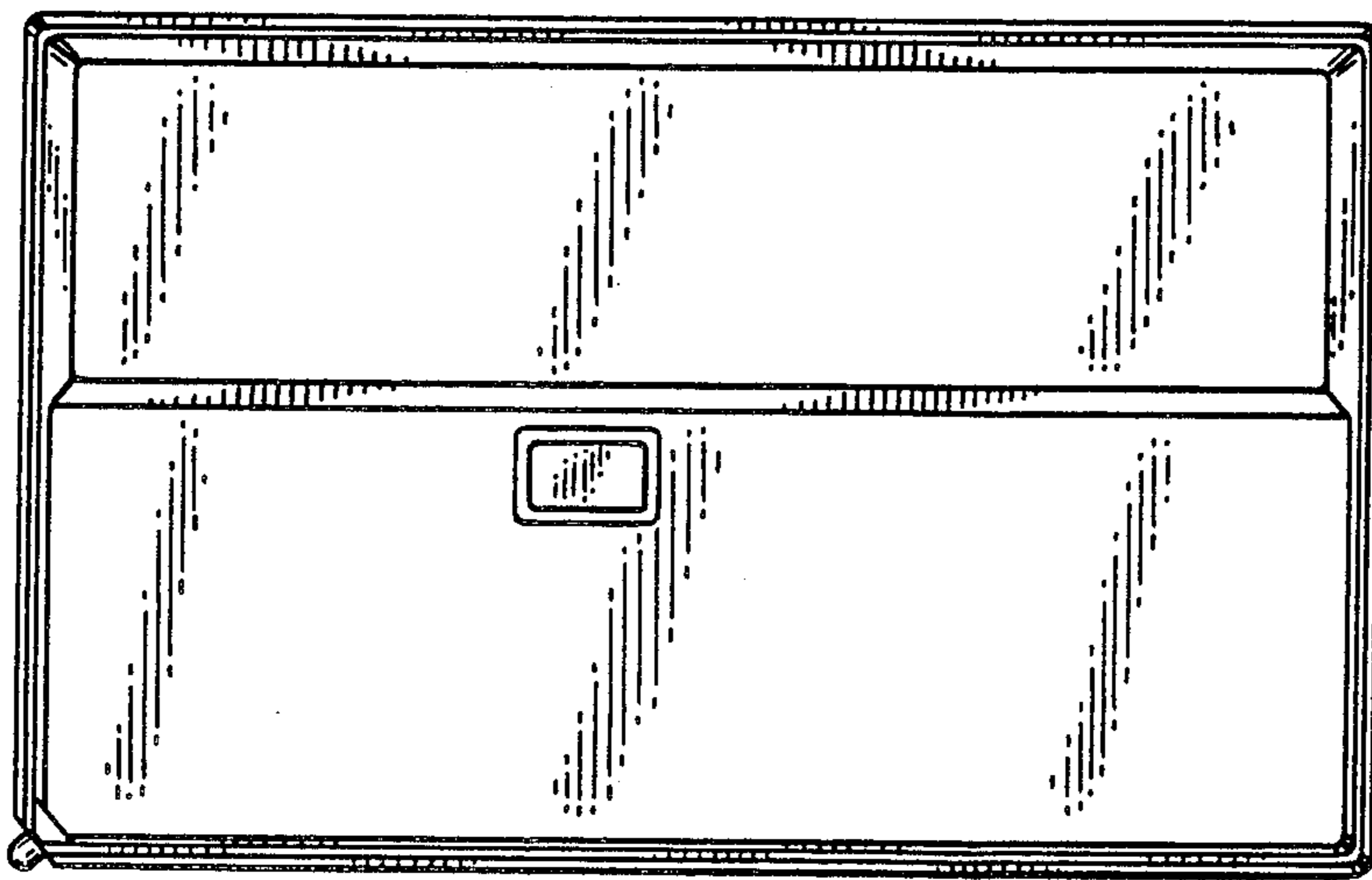


FIG. 5



FIG. 2



FIG. 6

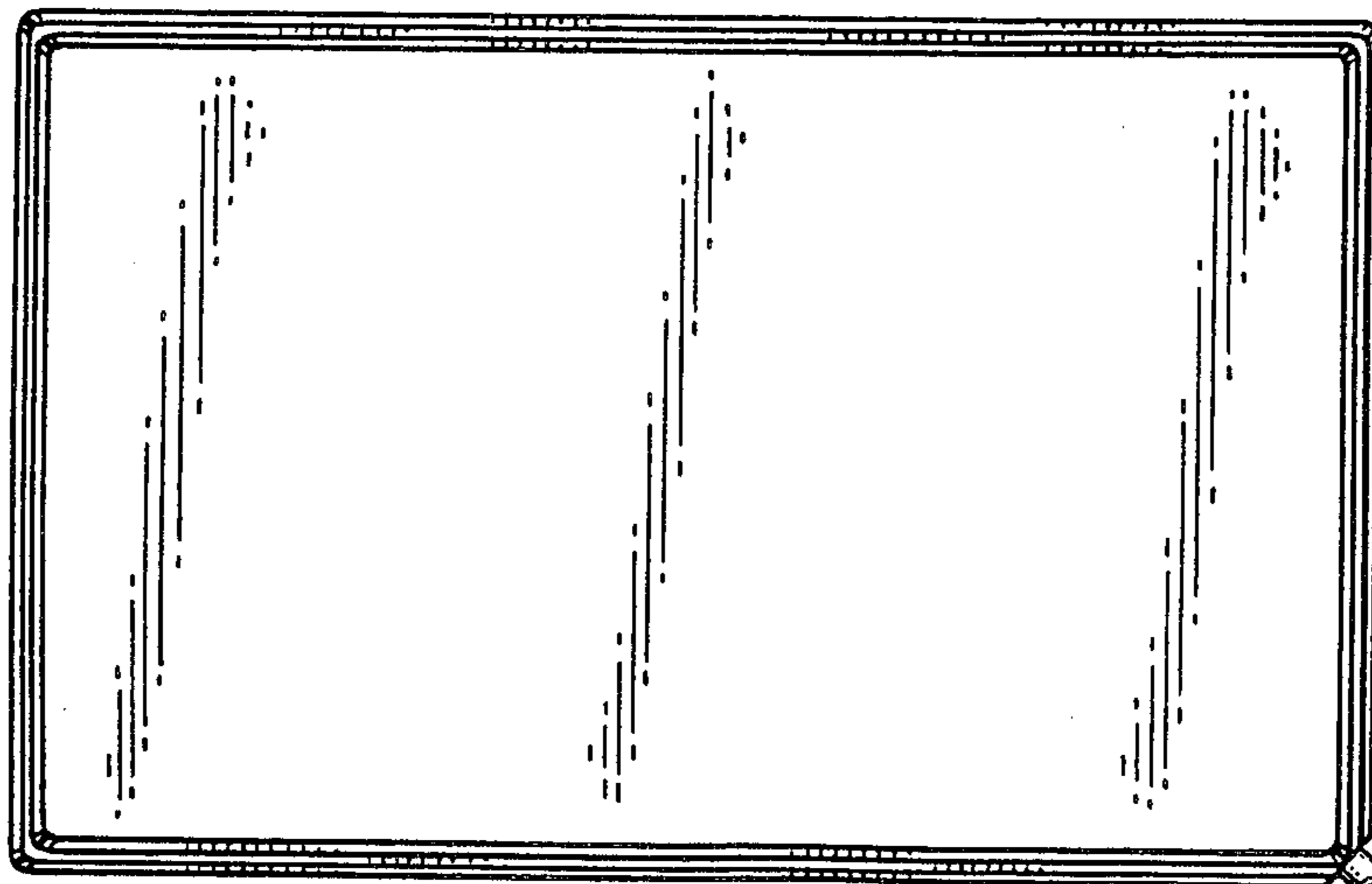
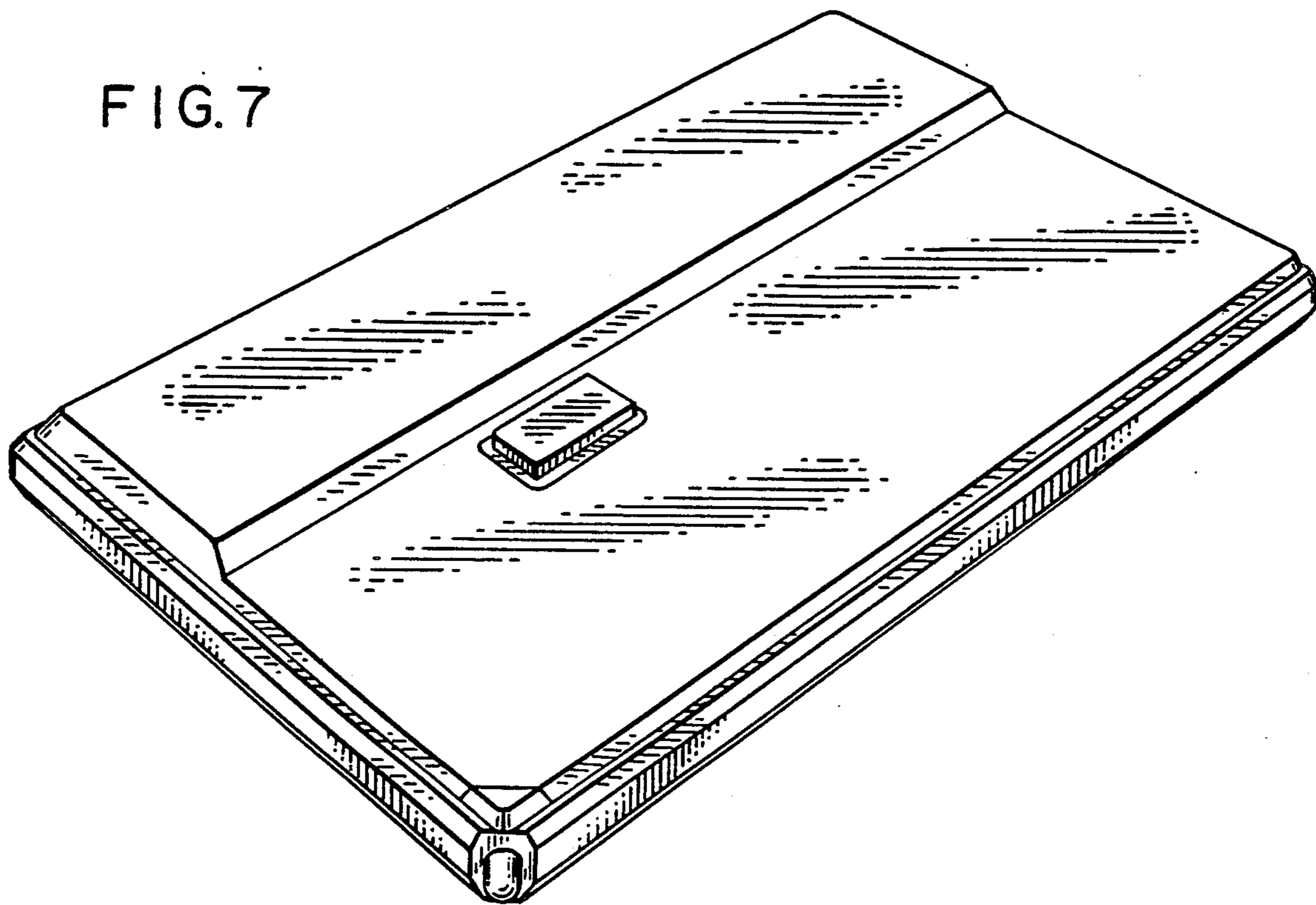


FIG. 7



UNITED STATES PATENT AND TRADEMARK OFFICE
CERTIFICATE OF CORRECTION

PATENT NO. : Des. 296,330
DATED : June 21, 1988
INVENTOR(S) : Paul R. Davis, et al.

It is certified that error appears in the above-identified patent and that said Letters Patent is hereby corrected as shown below: Title Page:

Inventors: Change "Michael G. Brorby" to
--Michael J. Brorby--

**Signed and Sealed this
Fifteenth Day of November, 1988**

Attest:

Attesting Officer

DONALD J. QUIGG

Commissioner of Patents and Trademarks