

[54] OVERHEAD OPTICAL SCANNER

[75] Inventors: Kim M. Austin, Long Branch, N.J.; Eric P. Chan, New York, N.Y.; Norman M. Rucci, Howell; Helmuth C. Sautter, Middletown; Donald B. Swicker, Wall Township, Monmouth County; Richard A. Yackel, Red Bank, all of N.J.

[73] Assignees: American Telephone and Telegraph Company, New York, N.Y.; AT&T Information Systems Inc., Morristown, N.J.

[**] Term: 14 Years

[21] Appl. No.: 57,137

[22] Filed: Jun. 1, 1987

[52] U.S. Cl. D14/107; D14/94

[58] Field of Search D14/107, 114, 94; D16/30, 31; 358/285, 293, 294; 250/203 R, 566; 235/454, 470

[56] References Cited

U.S. PATENT DOCUMENTS

4,369,361	1/1983	Swartz et al.	235/470
4,574,318	3/1986	Dayton et al.	358/285
4,639,781	1/1987	Rucci et al.	358/163

OTHER PUBLICATIONS

"Bell & Howell FileMaster Microfilm Recorders Operating Instructions", Bell & Howell Co., 1977; pp. 1-4.

Primary Examiner—Susan J. Lucas
Attorney, Agent, or Firm—John A. Caccuro

[57] CLAIM

The ornamental design for an overhead optical scanner, substantially as shown and described.

DESCRIPTION

FIG. 1 is a top front perspective view of an overhead optical scanner showing our new design; FIG. 2 is a front elevational view thereof; FIG. 3 is rear elevational view thereof; FIG. 4 is a left side elevational view thereof; FIG. 5 is a right side elevational view thereof; FIG. 6 is a top plan view thereof; FIG. 7 is a bottom plan view thereof; FIG. 8 is a top front perspective view of a second embodiment of our new design; FIG. 9 is a right side elevational view thereof, the left side being a mirror image; and FIG. 10 is a top plan view thereof.

The lens is shown in broken lines for illustrative purposes only. The front, rear, and bottom of the second embodiment are identical to the front, rear, and bottom of the first embodiment as shown in FIGS. 2, 3, and 7.

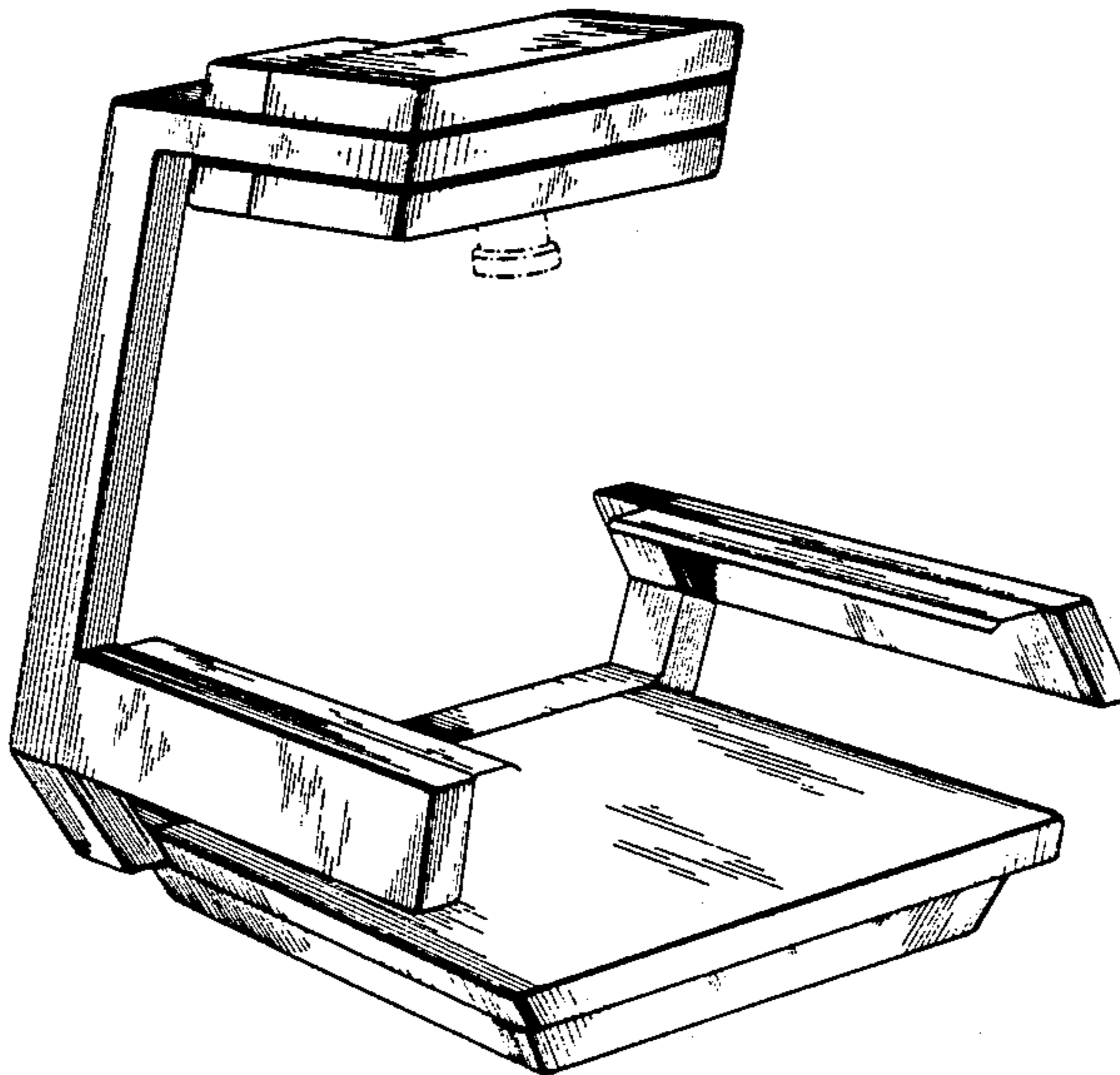


FIG. 1

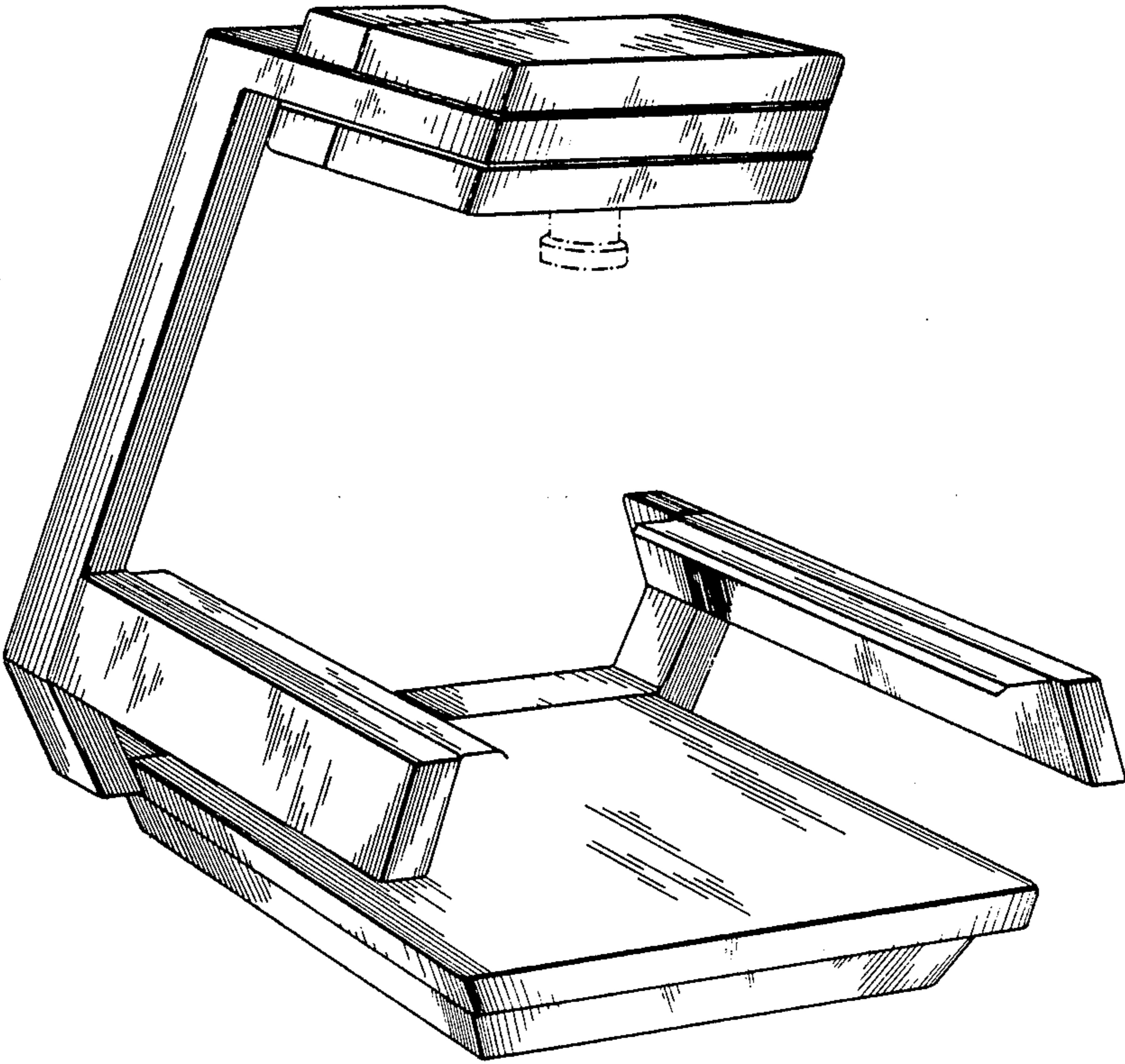


FIG. 2

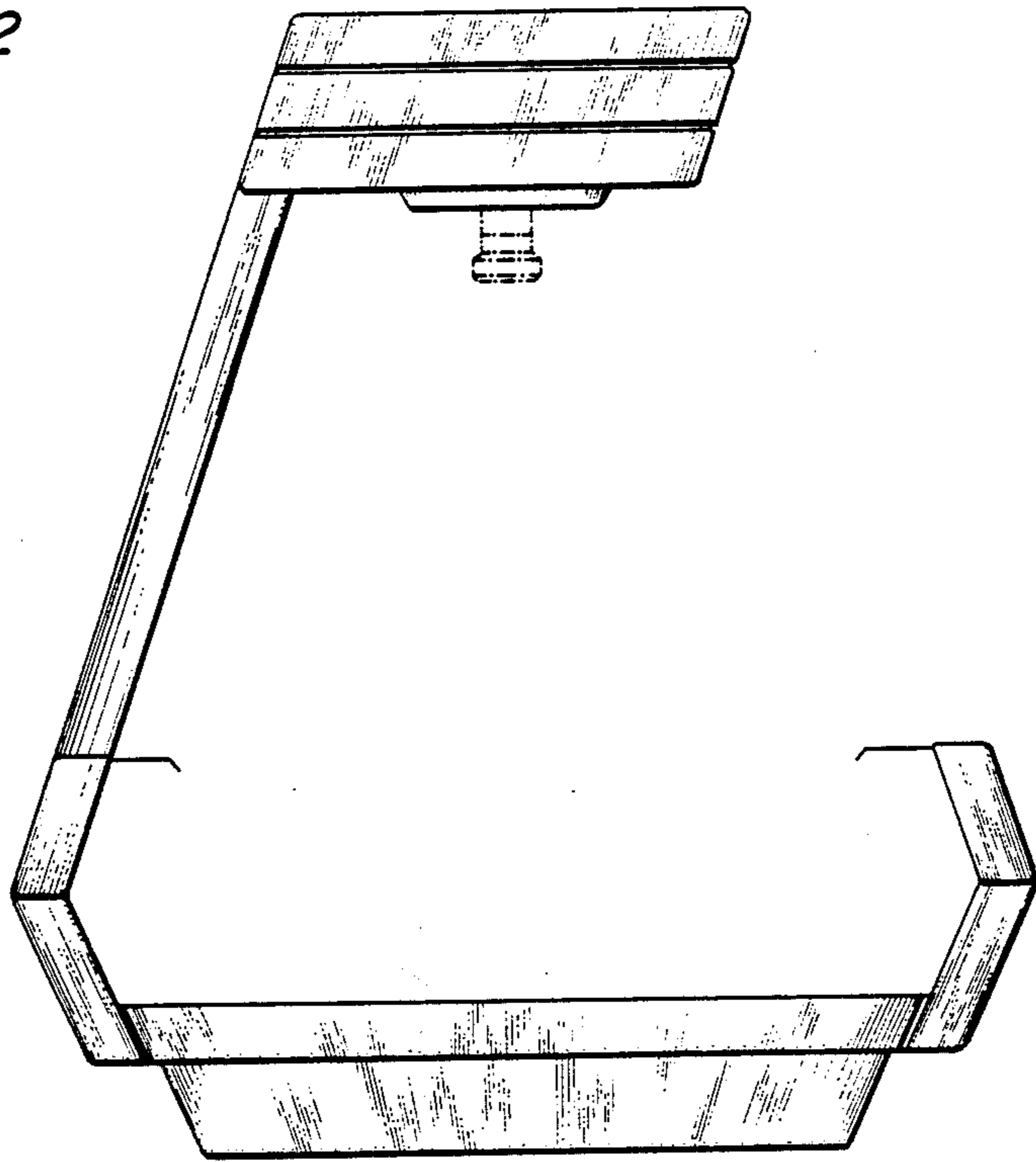


FIG. 3

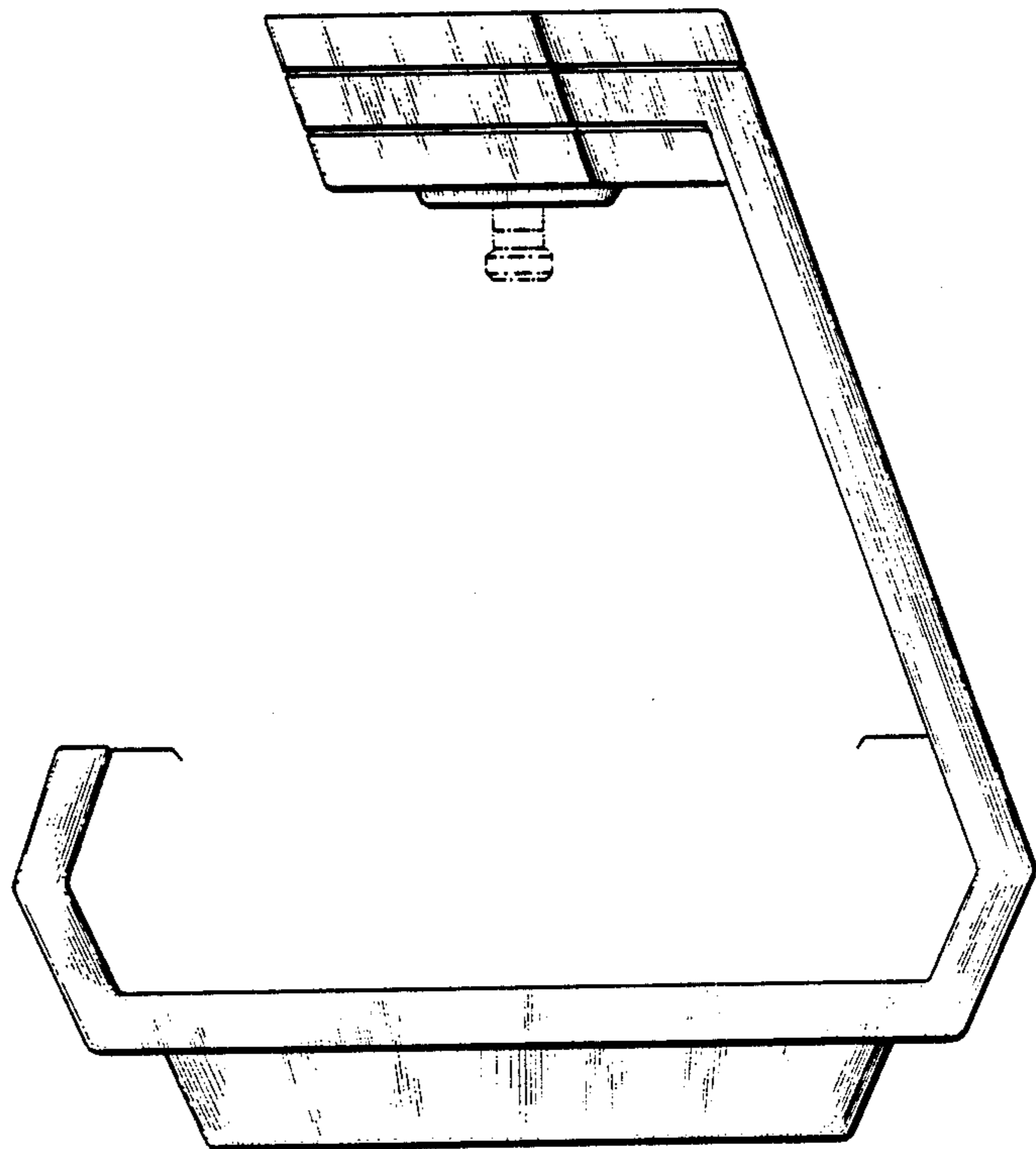


FIG. 4

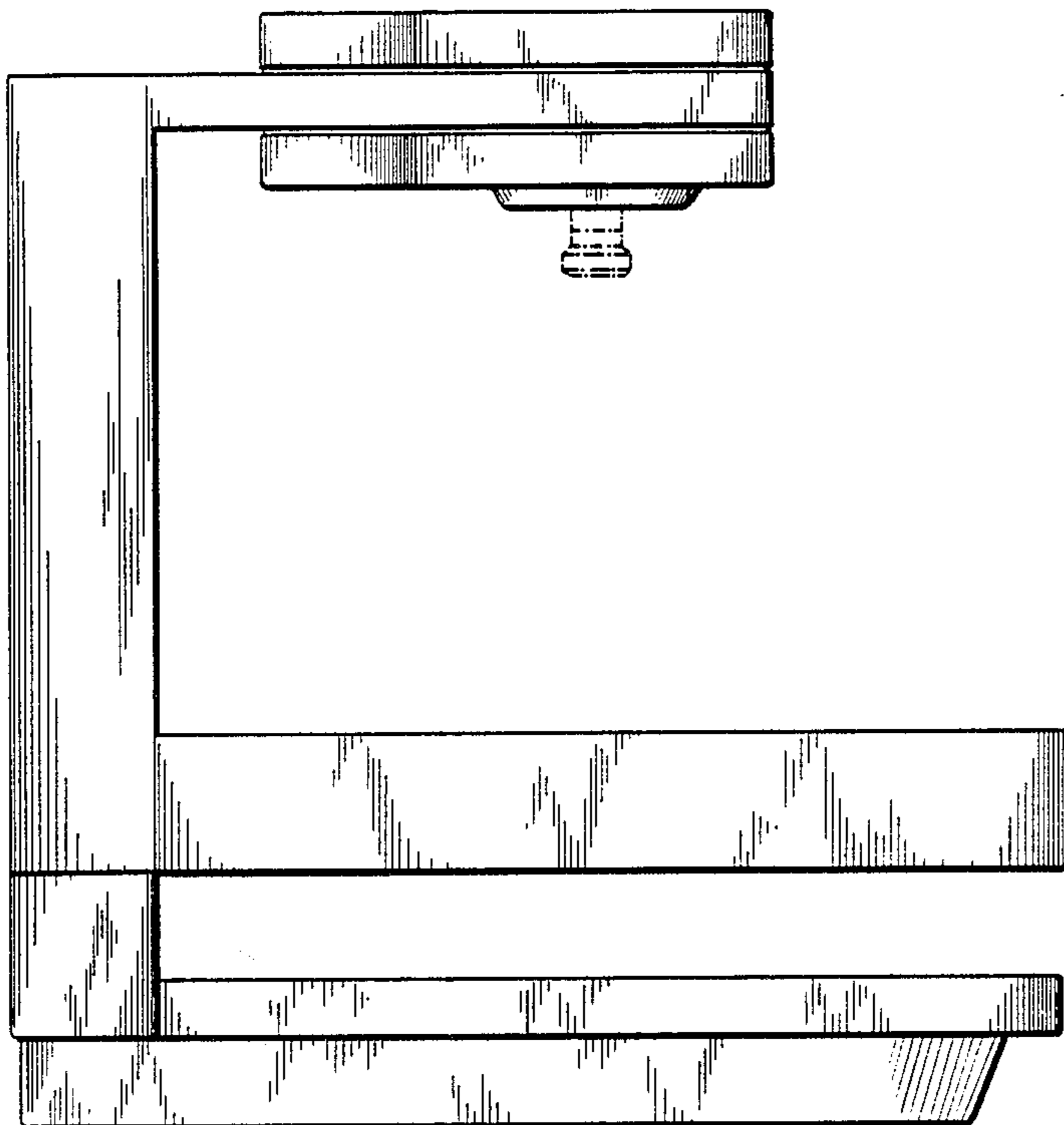


FIG. 5

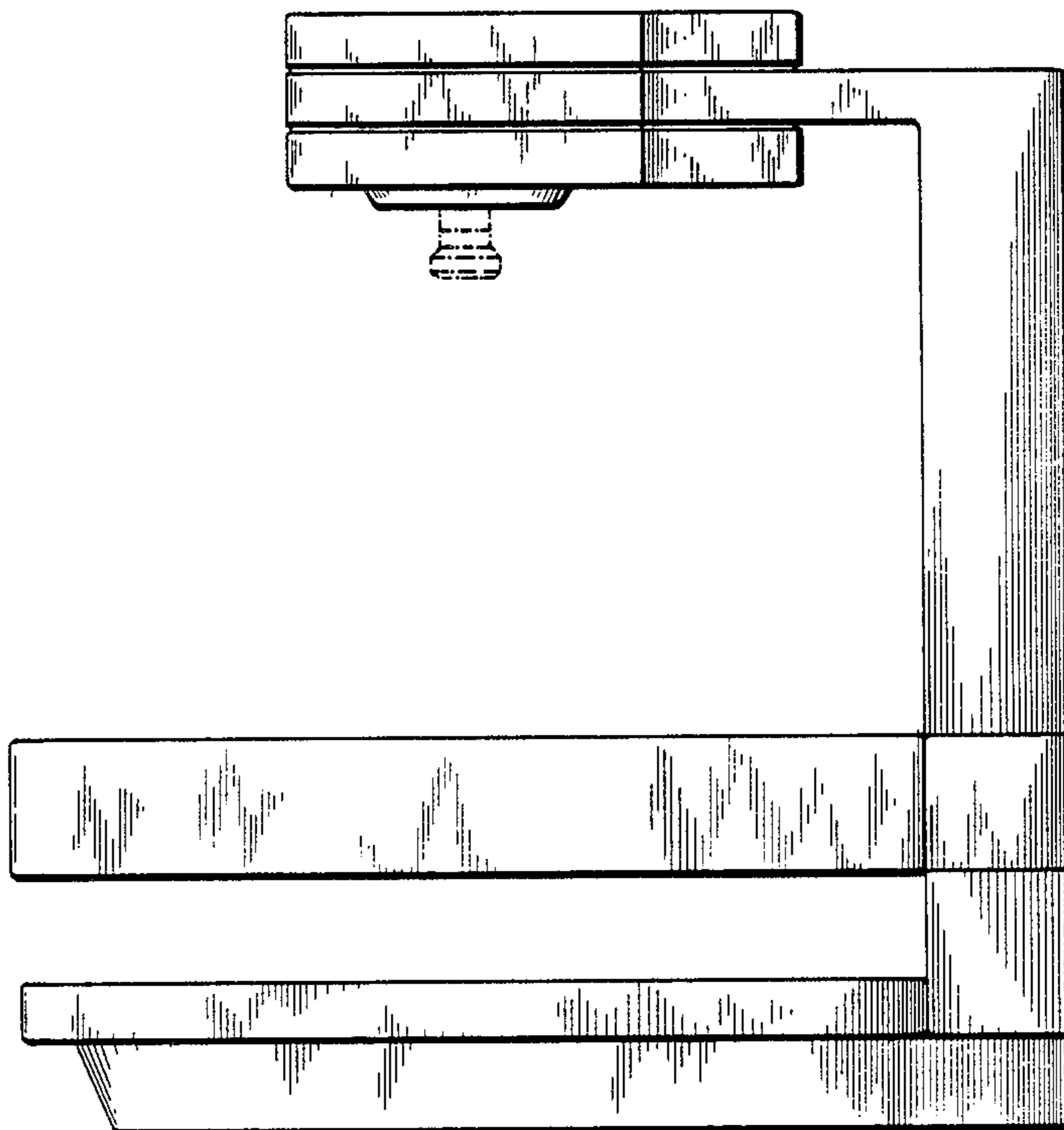


FIG. 6

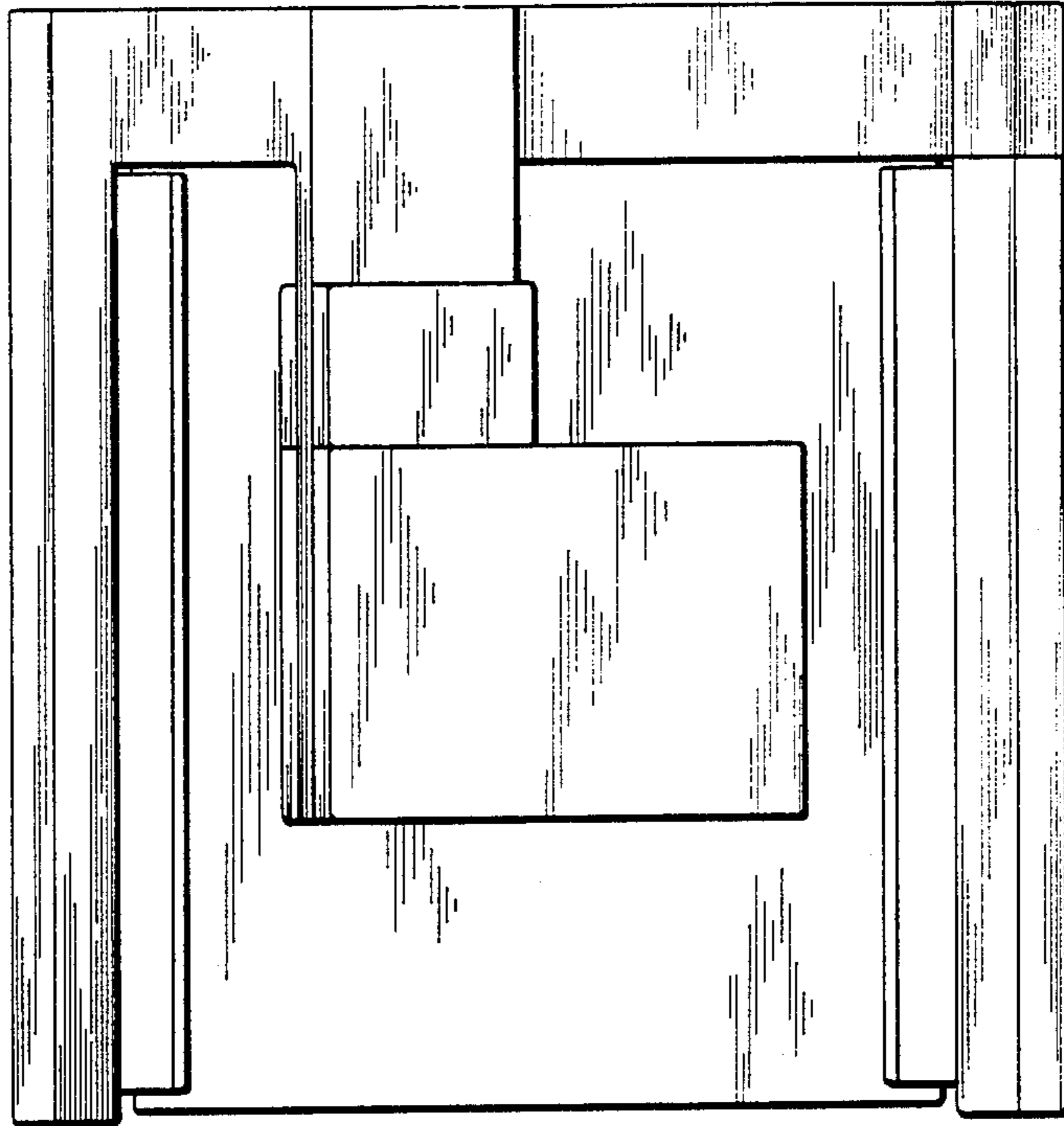


FIG. 7

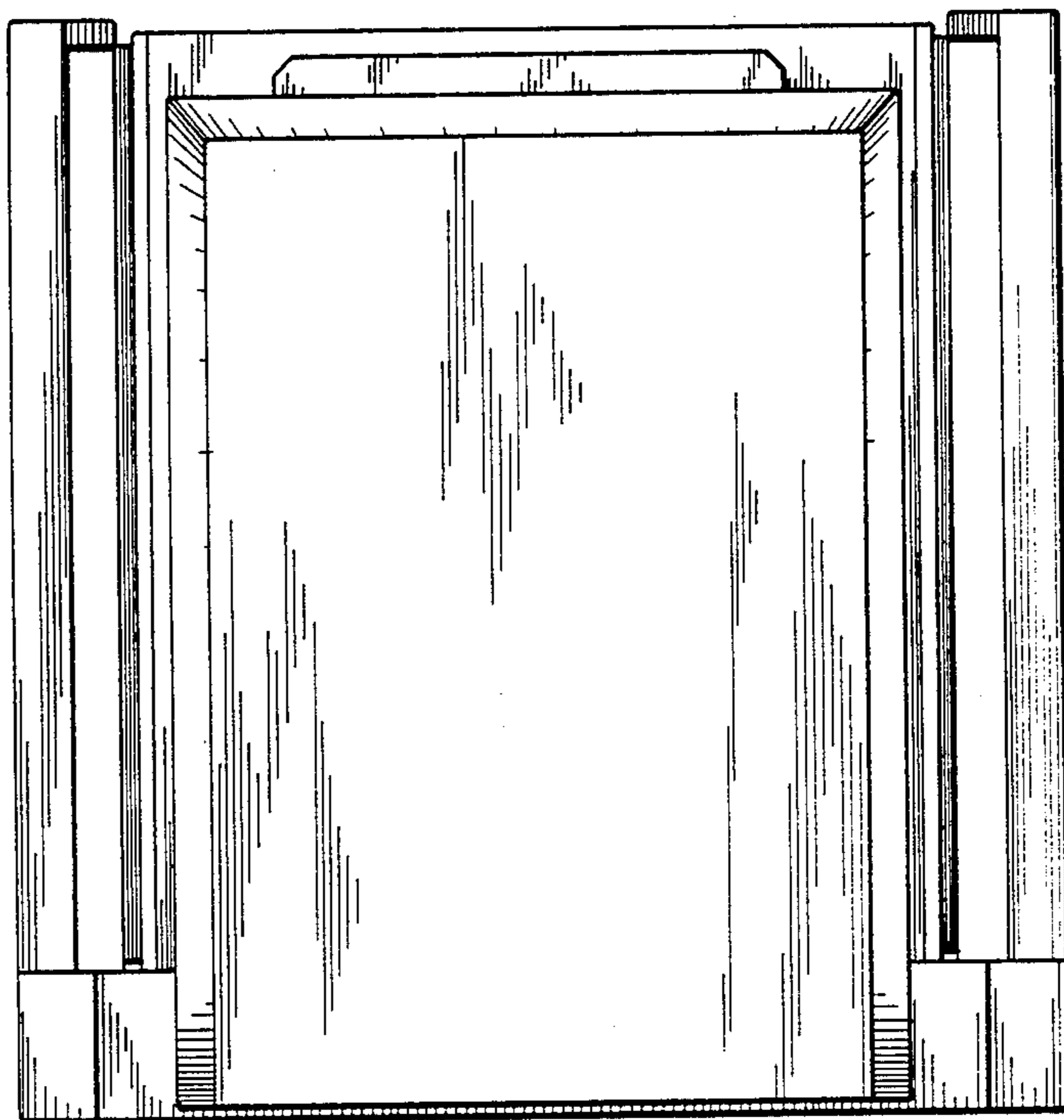


FIG. 8

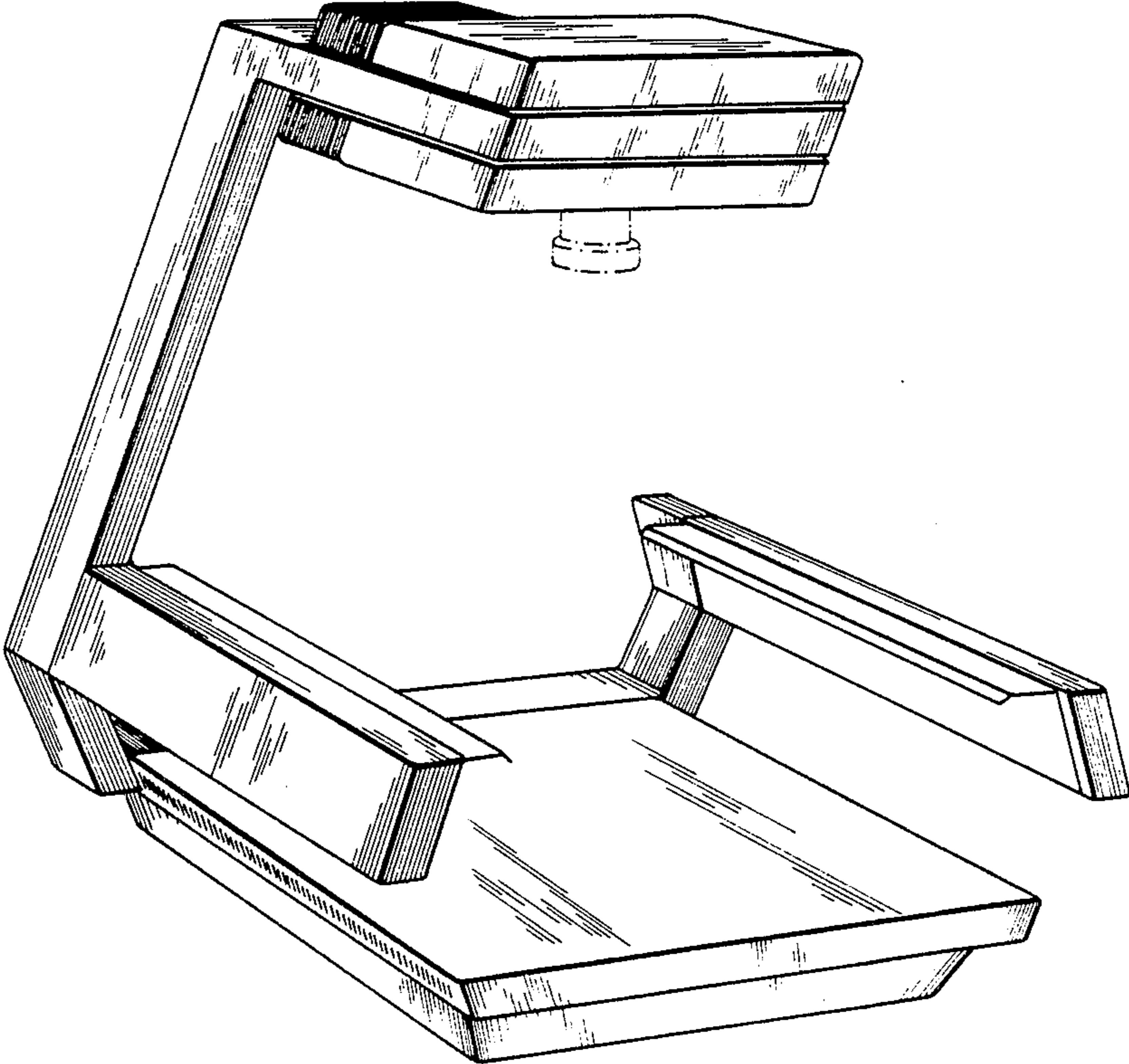


FIG. 9

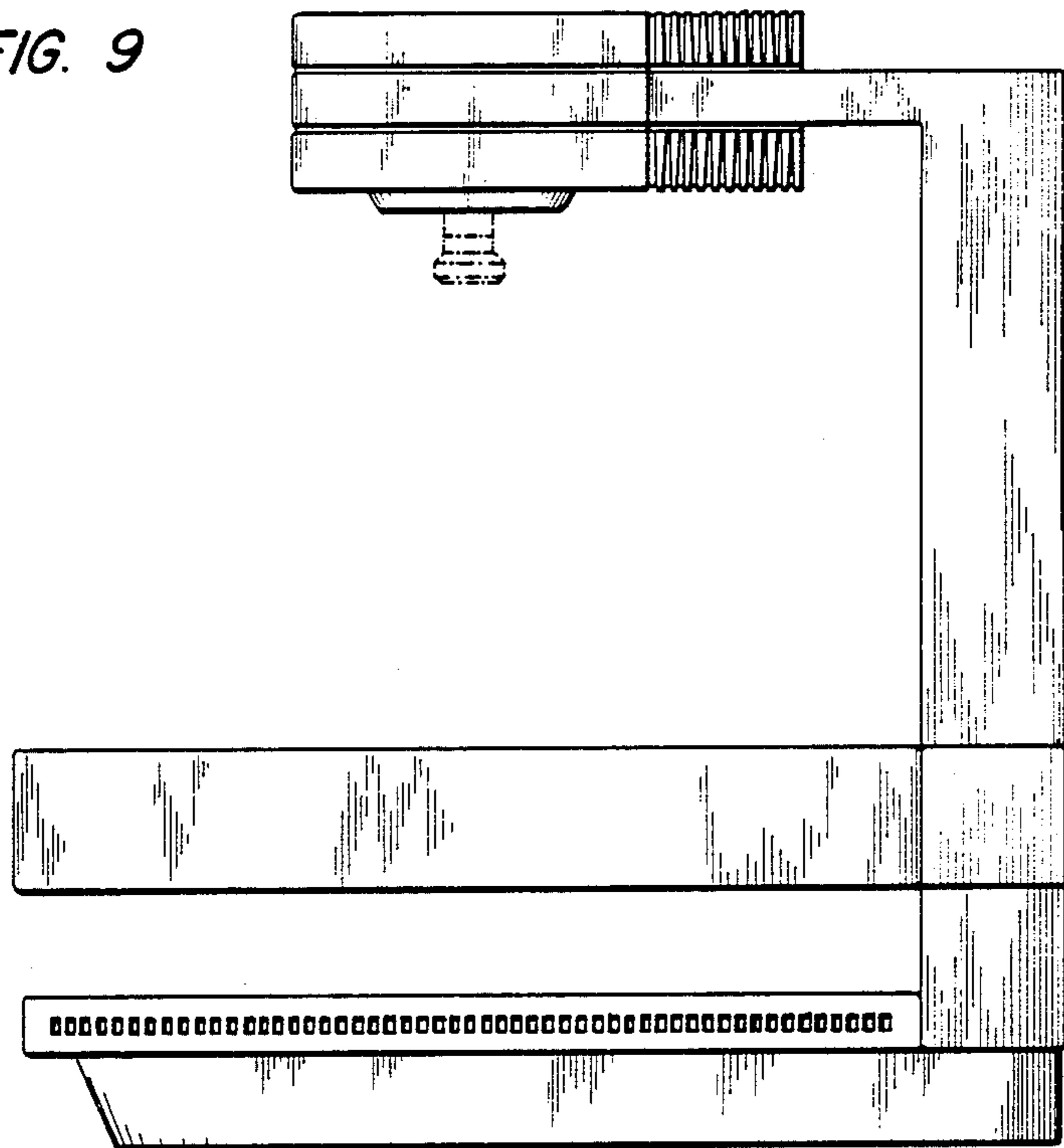


FIG. 10

