

- [54] TOGGLE SWITCH WITH INDICATOR LIGHTS
- [75] Inventor: Thomas F. Osika, Valparaiso, Ind.
- [73] Assignee: McGill Manufacturing Company, Inc., Valparaiso, Ind.
- [**] Term: 14 Years
- [21] Appl. No.: 730,779
- [22] Filed: May 3, 1985
- [52] U.S. Cl. D13/37
- [58] Field of Search D13/32, 35, 37; 200/272, 293, 296, 297, 303, 308, 310, 315, 317, 333, 339, 153 G

4,340,791 7/1982 Sorenson 200/339

OTHER PUBLICATIONS

McGill Switch catalog, #89, p. 17, switch-lower rt. corner.

Primary Examiner—Wallace R. Burke
Assistant Examiner—Ruth Takemoto
Attorney, Agent, or Firm—Leydig, Voit & Mayer

[57] CLAIM

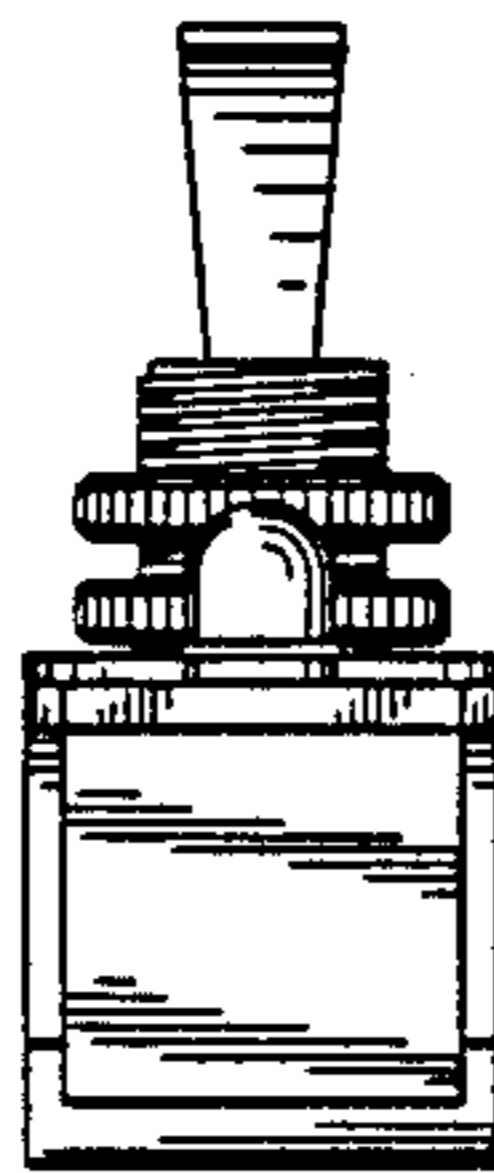
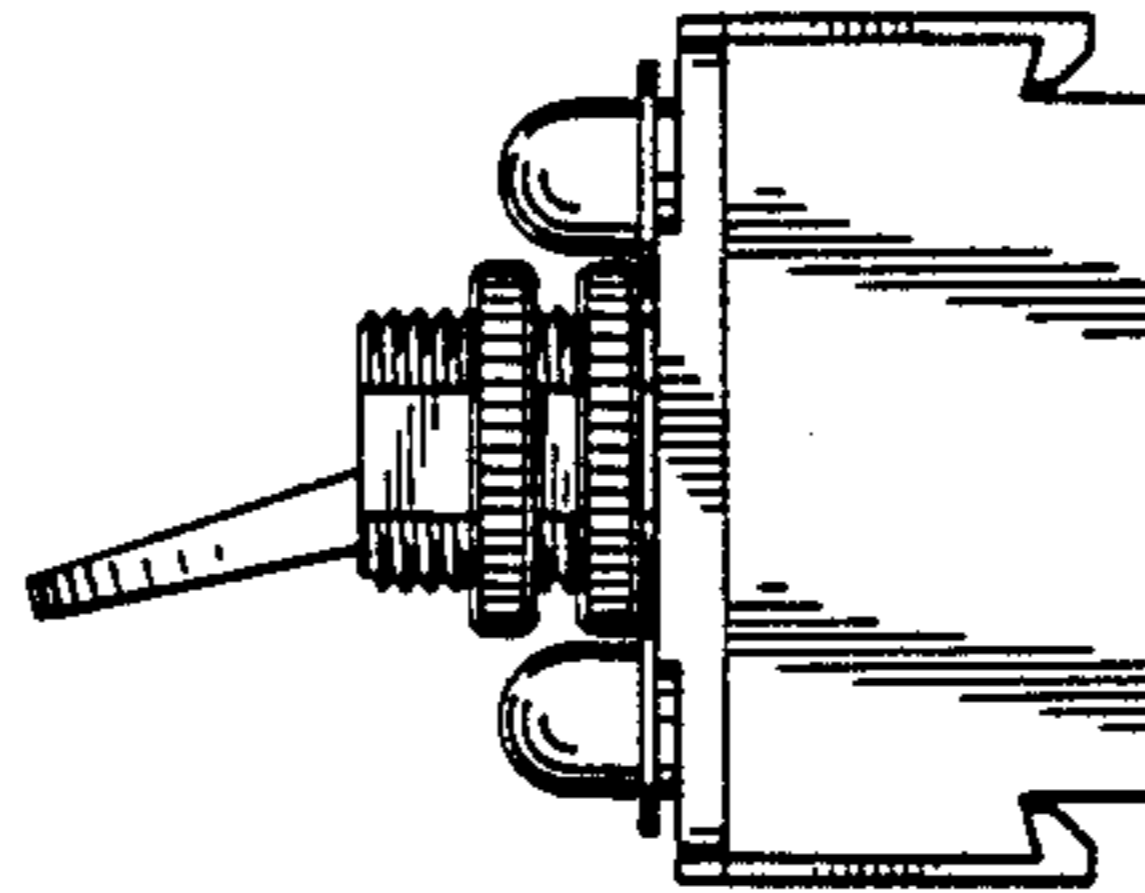
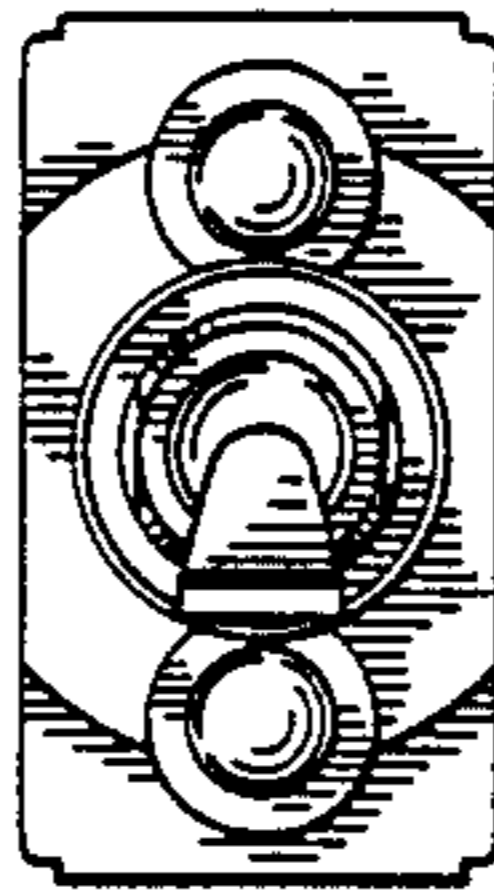
The ornamental design for a toggle switch with indicator lights, as shown.

DESCRIPTION

FIG. 1 is a top plan view of a toggle switch with indicator lights showing my new design;
FIG. 2 is a right side elevational view thereof;
FIG. 3 is an end elevational view thereof, the opposite end being identical; and
FIG. 4 is a left side elevational view thereof.

[56] References Cited
U.S. PATENT DOCUMENTS

- 3,701,870 10/1972 Sorenson 200/317
- 4,291,211 9/1981 Disanza 200/315



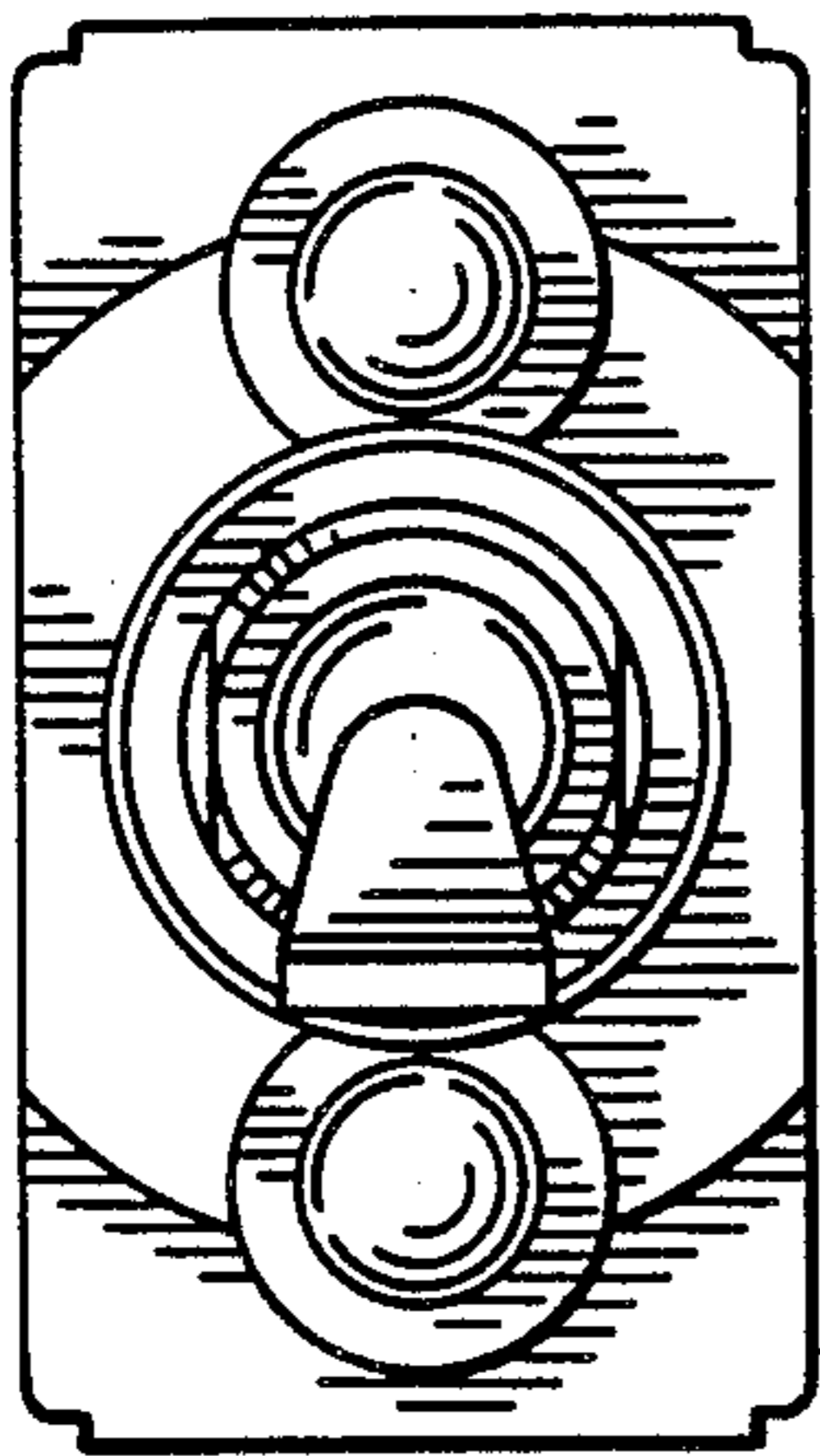


FIG. 1.

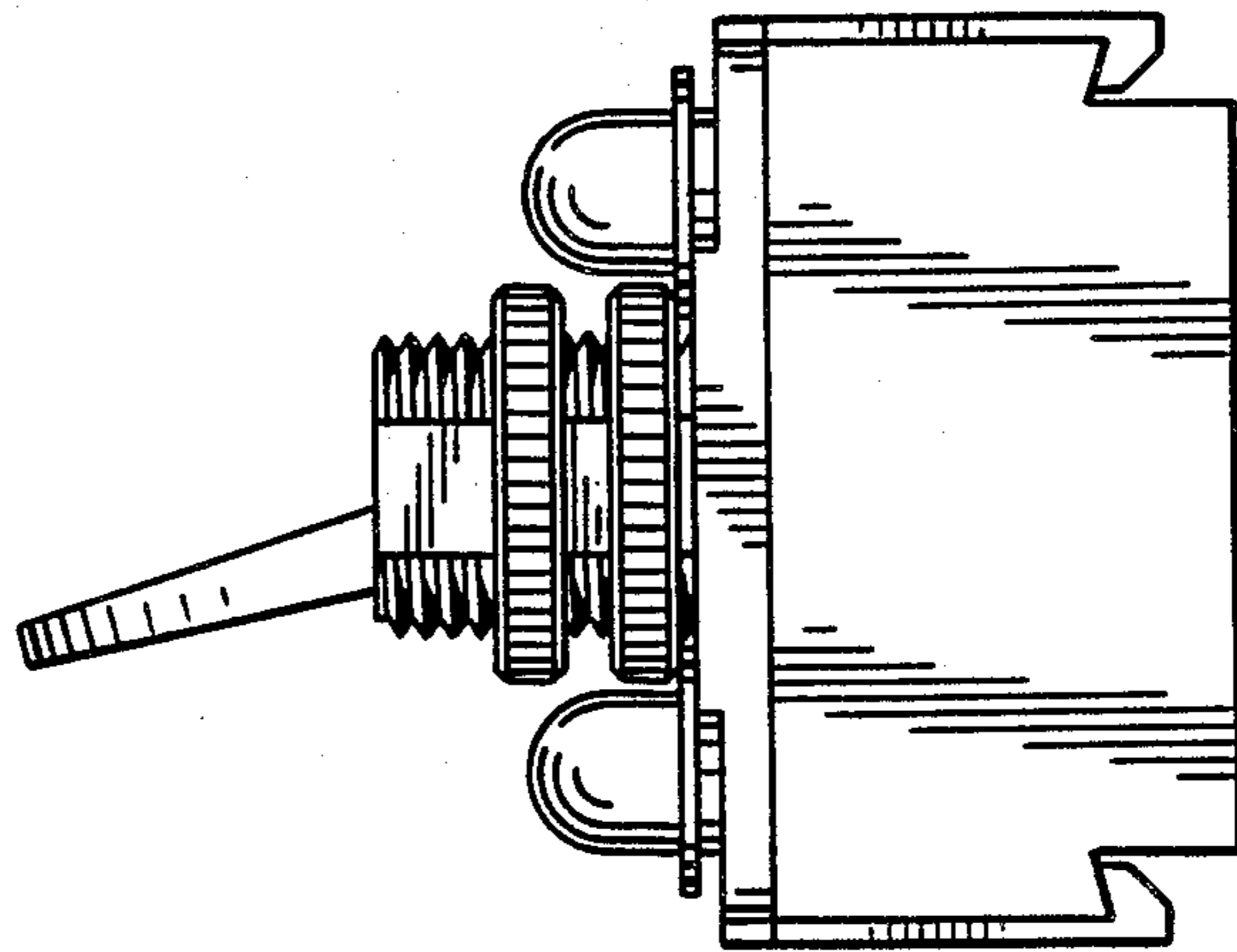


FIG. 2.

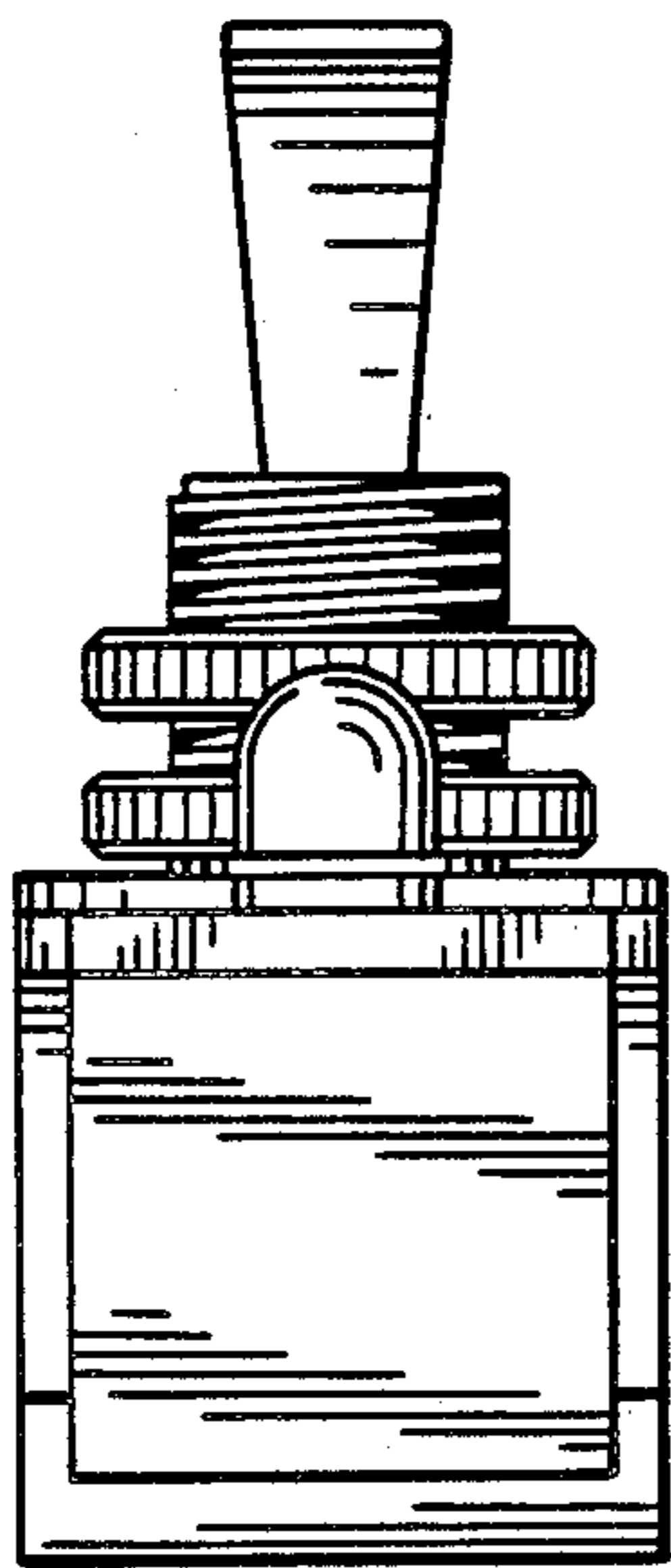


FIG. 3.

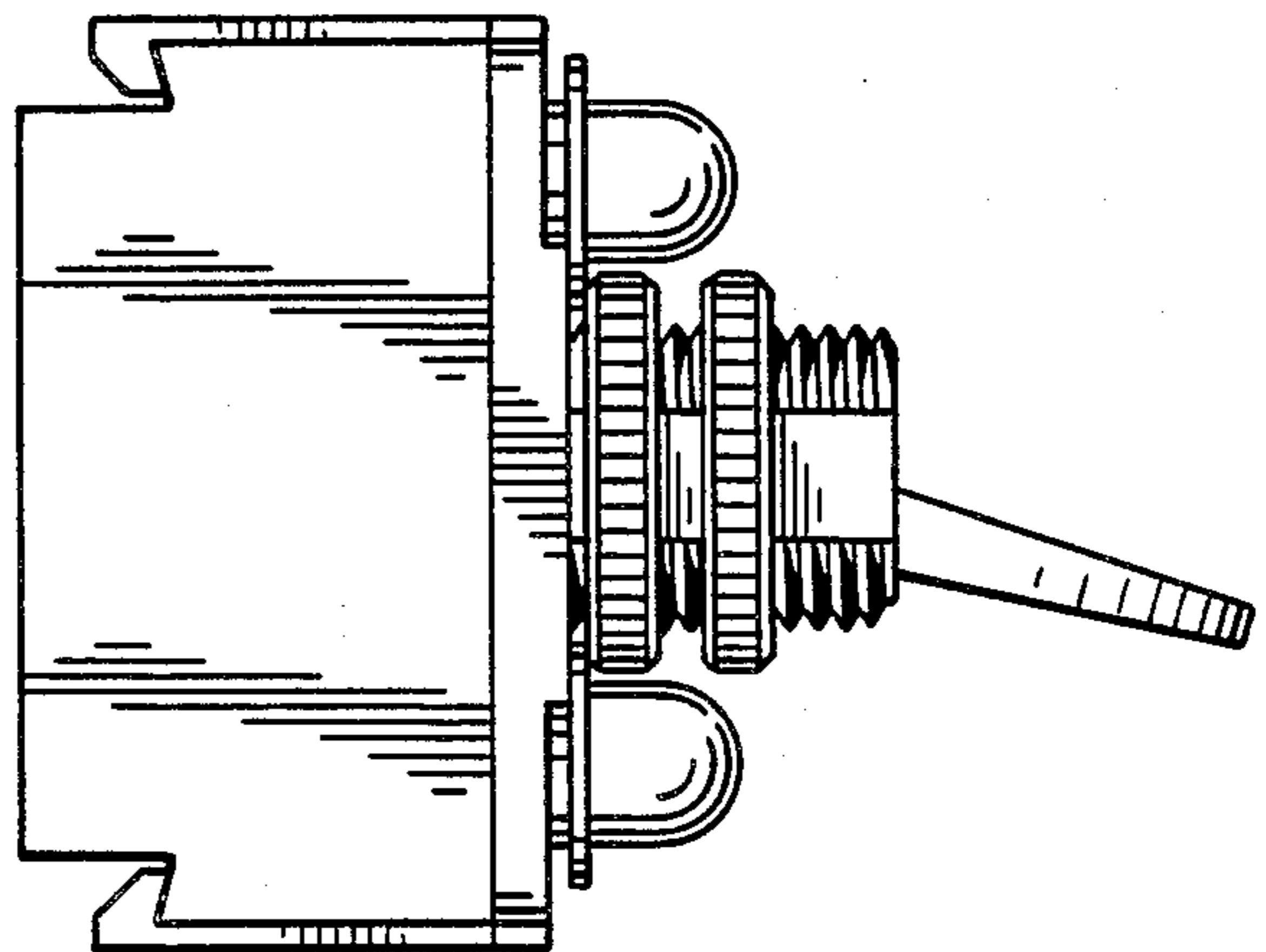


FIG. 4.