

[54] HEAT SINK WITH LOCKING CATCH FOR TABS OF ELECTRONIC DEVICES

[75] Inventor: Alfred F. McCarthy, Belmont, N.H.

[73] Assignee: Aavid Engineering, Inc., Laconia, N.H.

[\*\*] Term: 14 Years

[21] Appl. No.: 764,596

[22] Filed: Aug. 12, 1985

[52] U.S. Cl. .... D13/23

[58] Field of Search ..... D13/23; 174/16 HS; 357/81 R; 165/80.1, 80.2, 80.3

[56] References Cited

U.S. PATENT DOCUMENTS

- D. 262,961 2/1982 McCarthy ..... D13/23
- 4,261,005 4/1981 McCarthy ..... 174/16 HS X

Primary Examiner—Susan J. Lucas

Attorney, Agent, or Firm—James E. Mrose

[57] CLAIM

The ornamental design for heat sink with locking catch for tabs of electronic devices, substantially as shown and described.

DESCRIPTION

FIG. 1 is a perspective view of a heat sink with locking catch for tabs of electronic devices showing my new design, the broken lines representing an associated electronic device shown for illustrative purposes in relation to environmental structure and not being part of my claimed design;

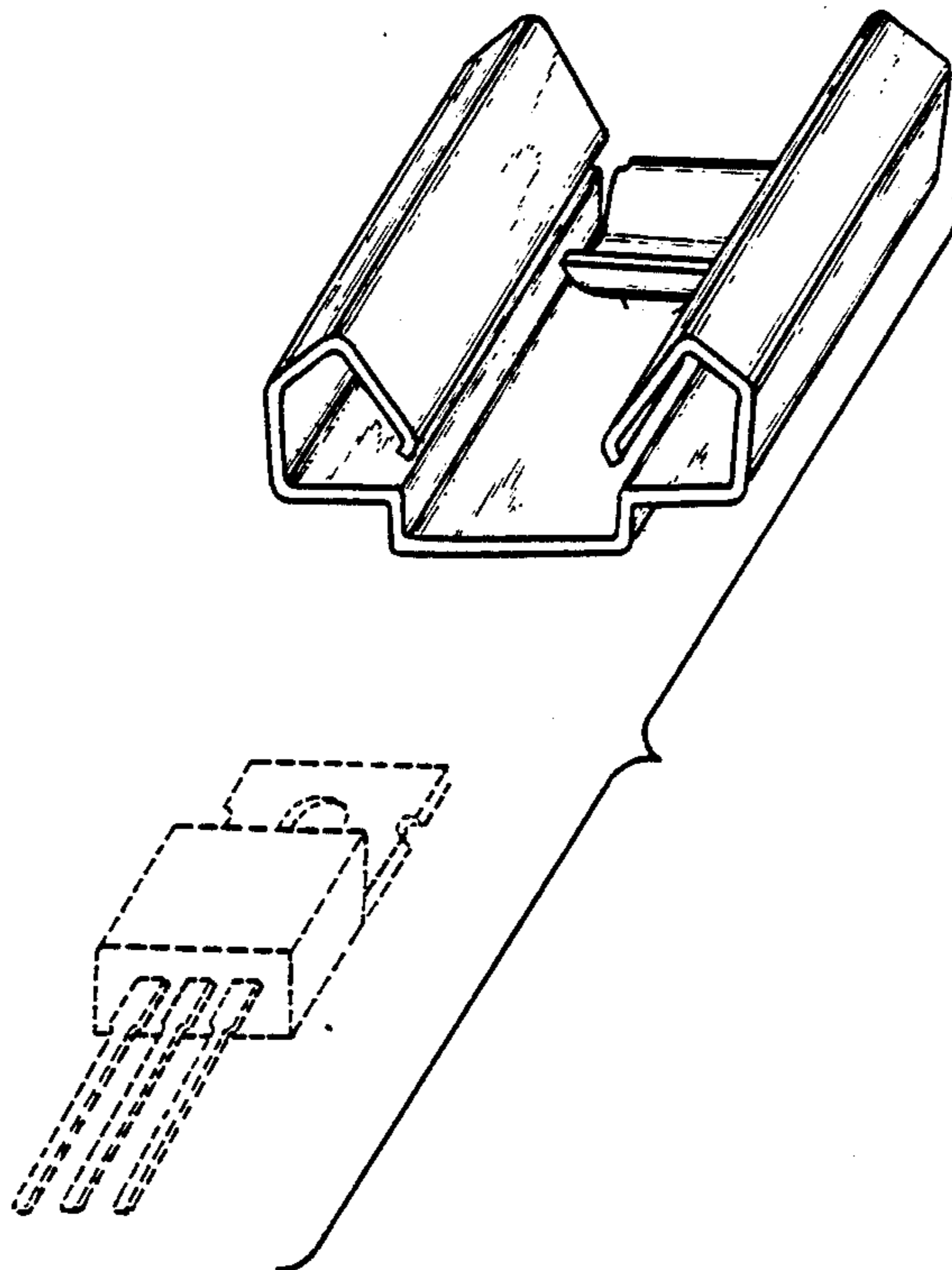
FIG. 2 is a front elevational view thereof;

FIG. 3 is a rear elevational view thereof;

FIG. 4 is a top plan view thereof;

FIG. 5 is a bottom plan view thereof;

FIG. 6 is a side elevational view thereof, looking toward the right side of the heat sink as it is shown in FIGS. 1 and 2, the side elevational view looking toward the left side thereof being a mirror image.



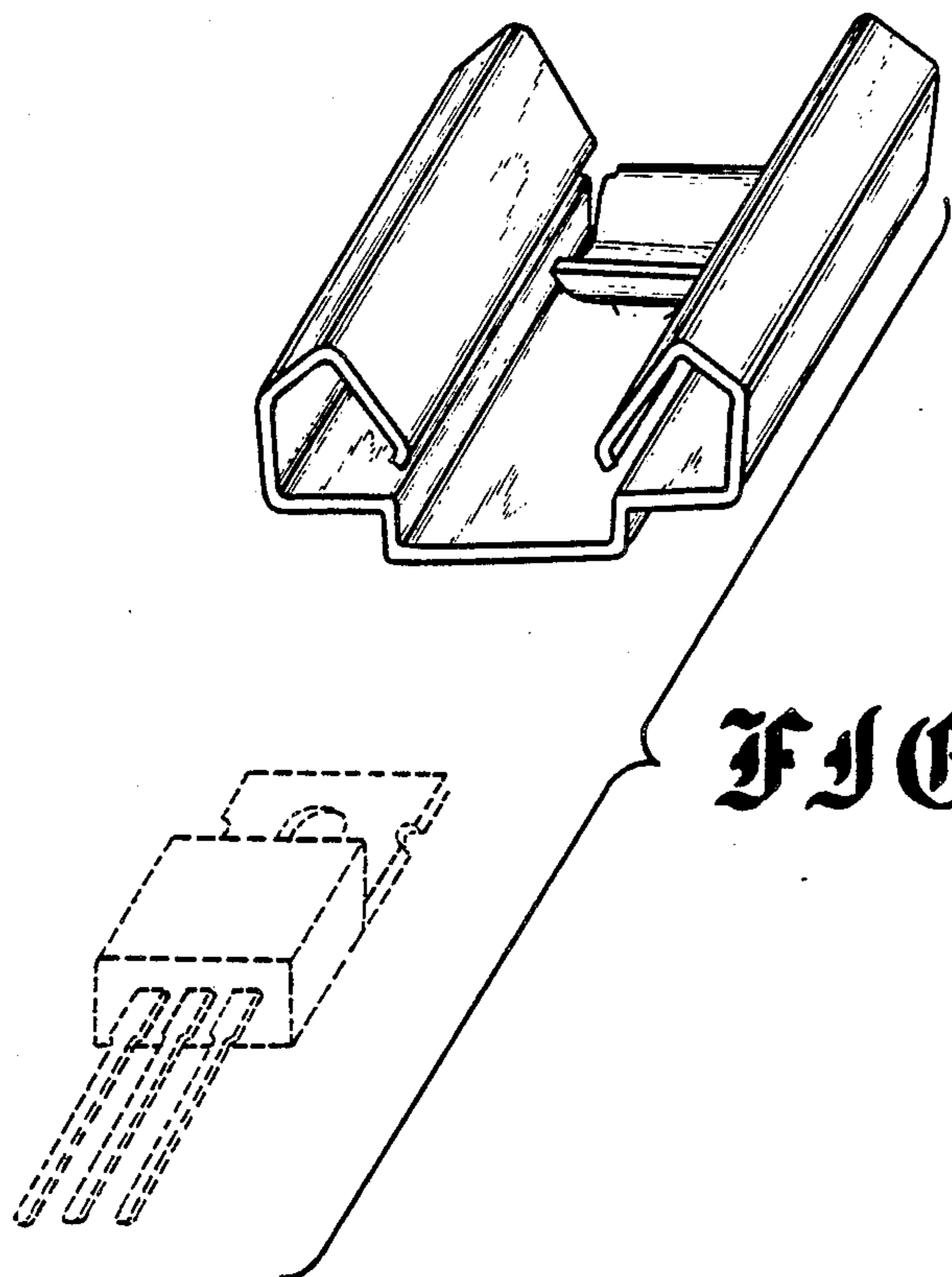


FIG. 1

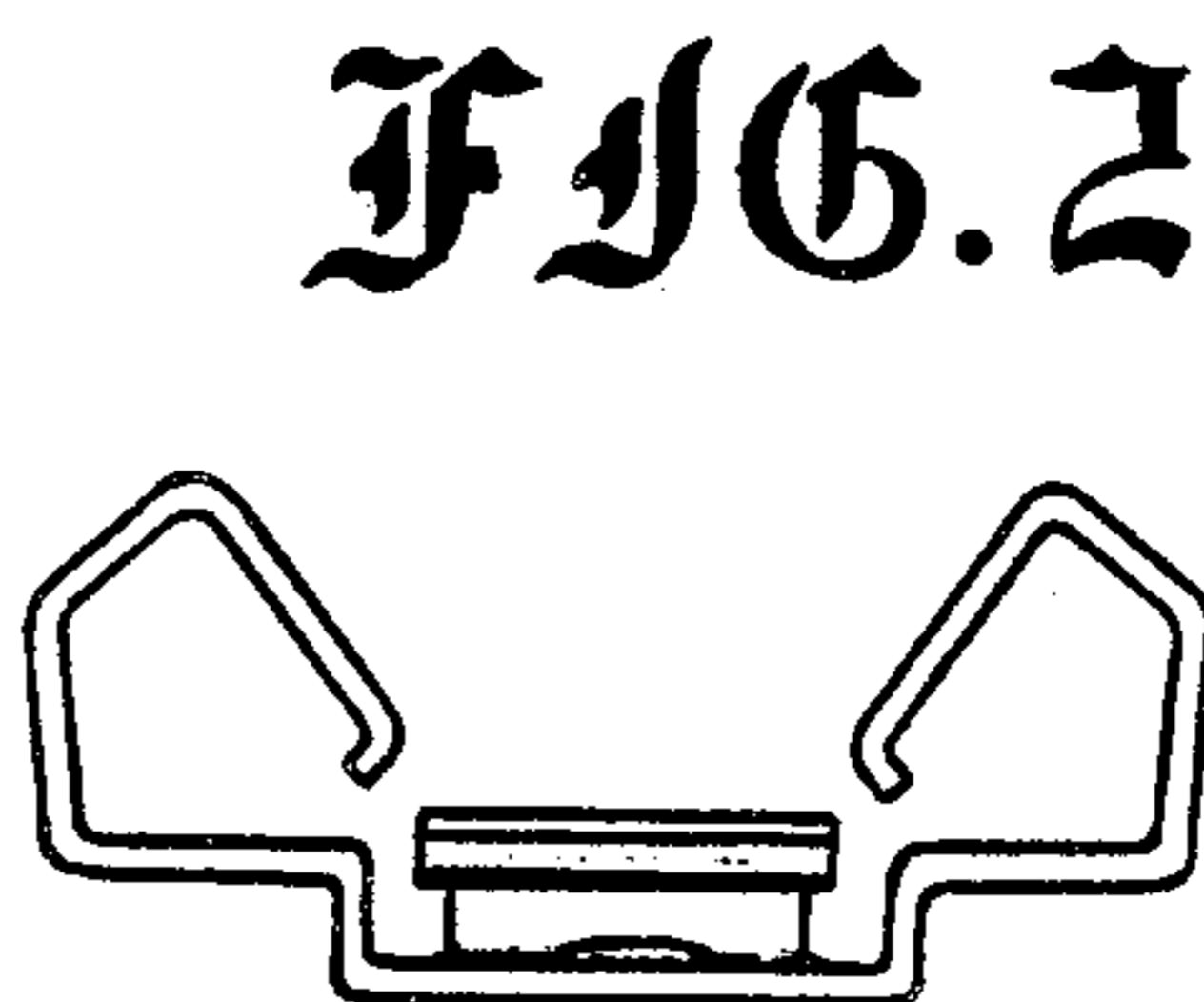


FIG. 2

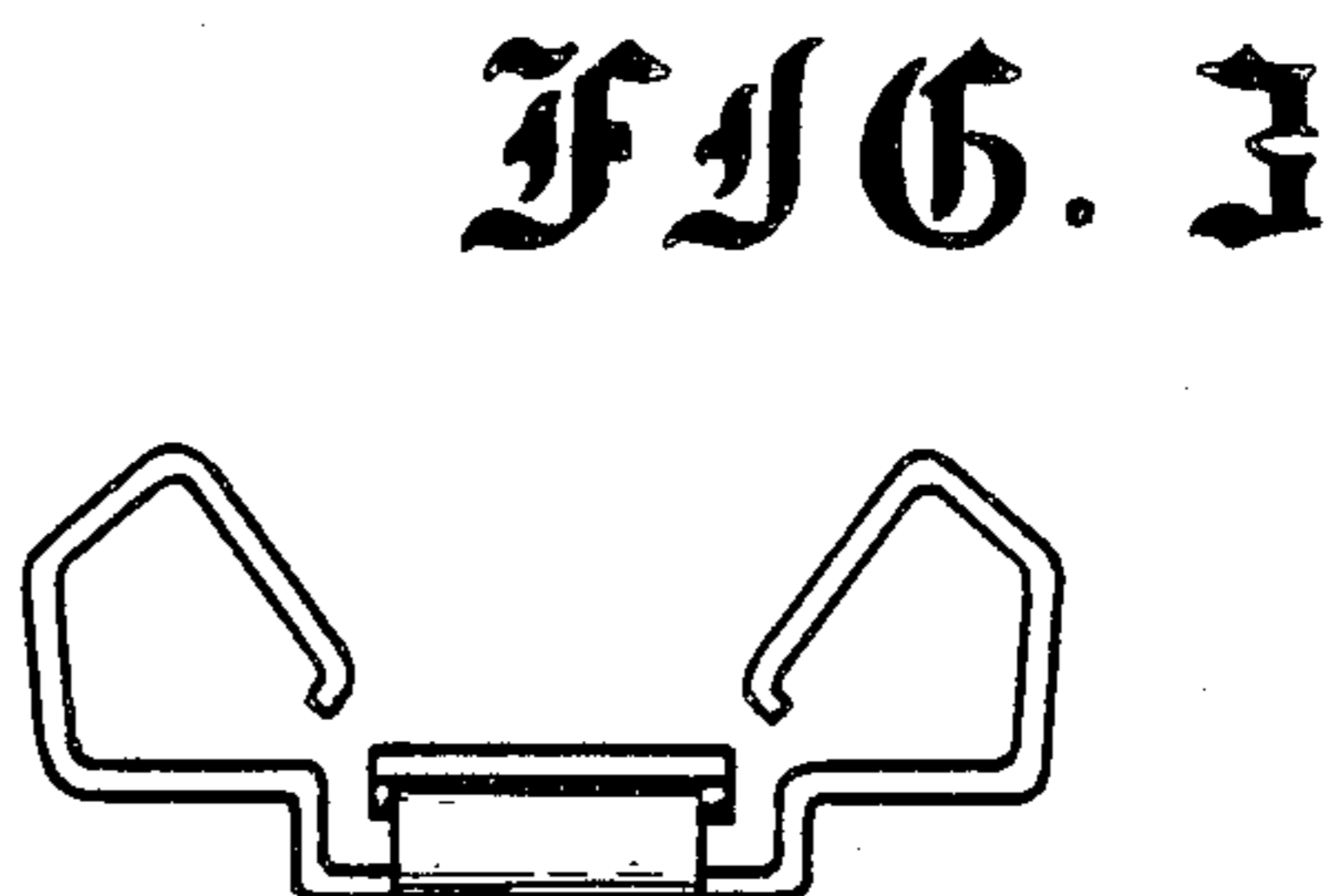


FIG. 3

FIG. 4

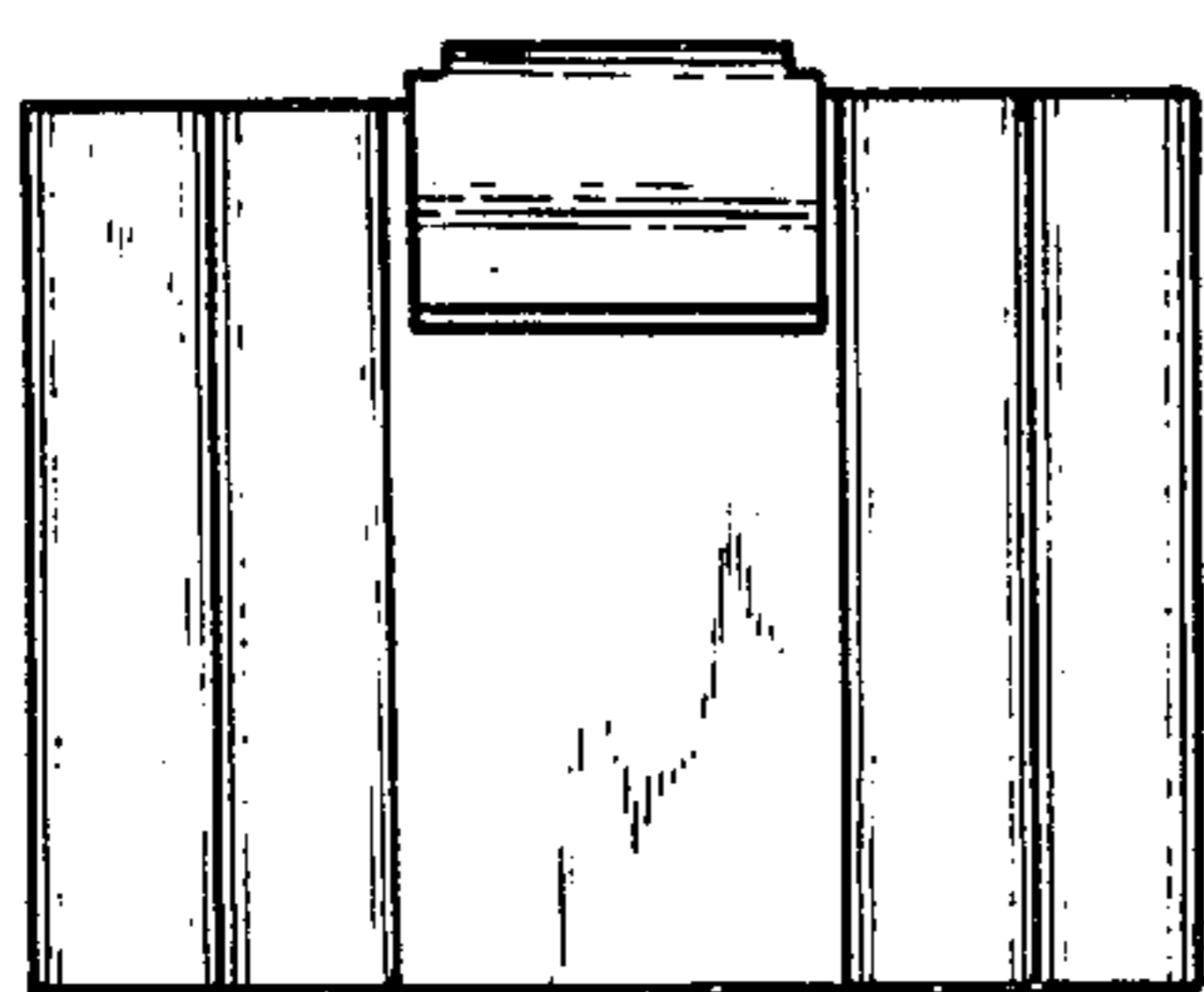


FIG. 5

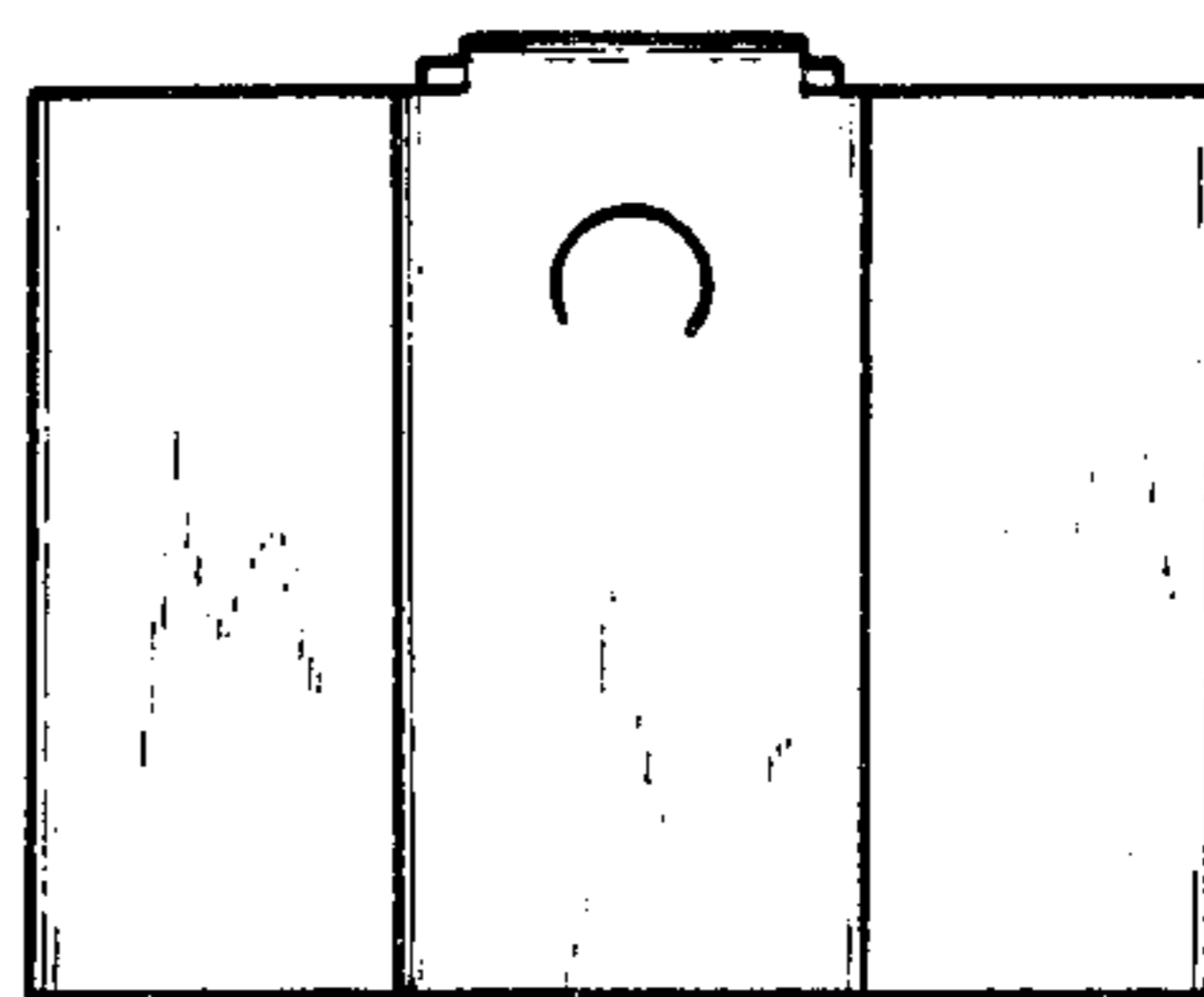


FIG. 6

