

[54] **EXTRUDED-HEAT-SINK WITH SPRING CLIP**

[75] **Inventor: Alfred F. McCarthy, Belmont, N.H.**

[73] **Assignee: Aavid Engineering, Inc., Laconia, N.H.**

[**] **Term: 14 Years**

[21] **Appl. No.: 732,422**

[22] **Filed: May 9, 1985**

[52] **U.S. Cl. D13/23**

[58] **Field of Search D13/23; 174/16 HS; 357/81 R; 165/80.1, 80.2, 80.3**

[56] **References Cited**

U.S. PATENT DOCUMENTS

4,509,839 4/1985 LaVochkin 357/81
4,602,315 7/1986 Breese 174/16 HS

Primary Examiner—Susan J. Lucas

Attorney, Agent, or Firm—James E. Mrose

[57] **CLAIM**

The ornamental design for an extruded-heat-sink with spring clip, substantially as shown and described.

DESCRIPTION

FIG. 1 is a perspective view of an extruded-heat-sink with spring clip showing my new design, the broken lines representing an associated electronic device shown for illustrative purposes in relation to environmental structure and not being part of my claimed design;

FIG. 2 is a front elevational view thereof;

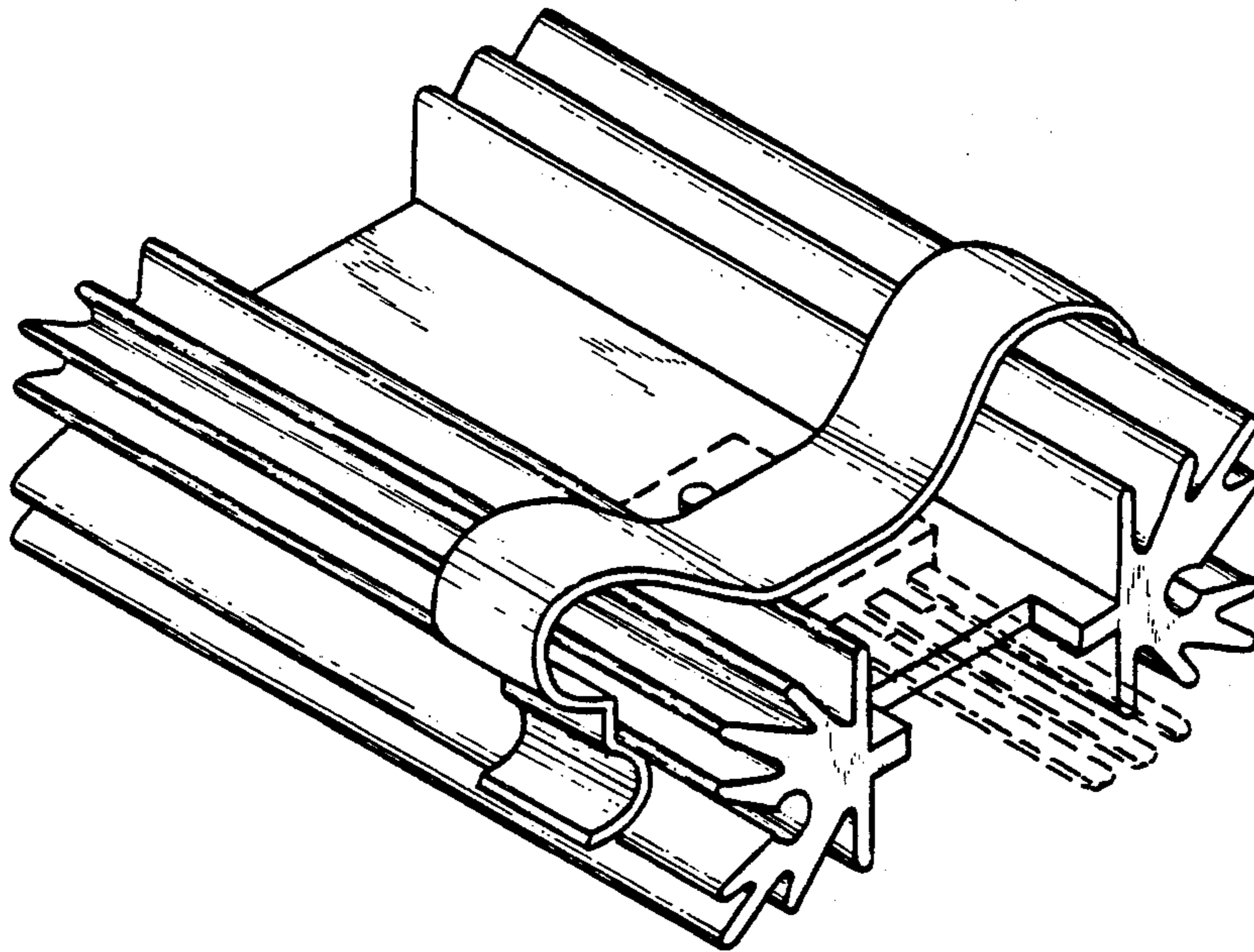
FIG. 3 is a rear elevational view thereof;

FIG. 4 is a top plan view thereof;

FIG. 5 is a bottom plan view thereof;

FIG. 6 is a side elevational view thereof, as seen from the left of FIGS. 1 and 2; and

FIG. 7 is a side elevational view thereof, as seen from the right of FIGS. 1 and 2.



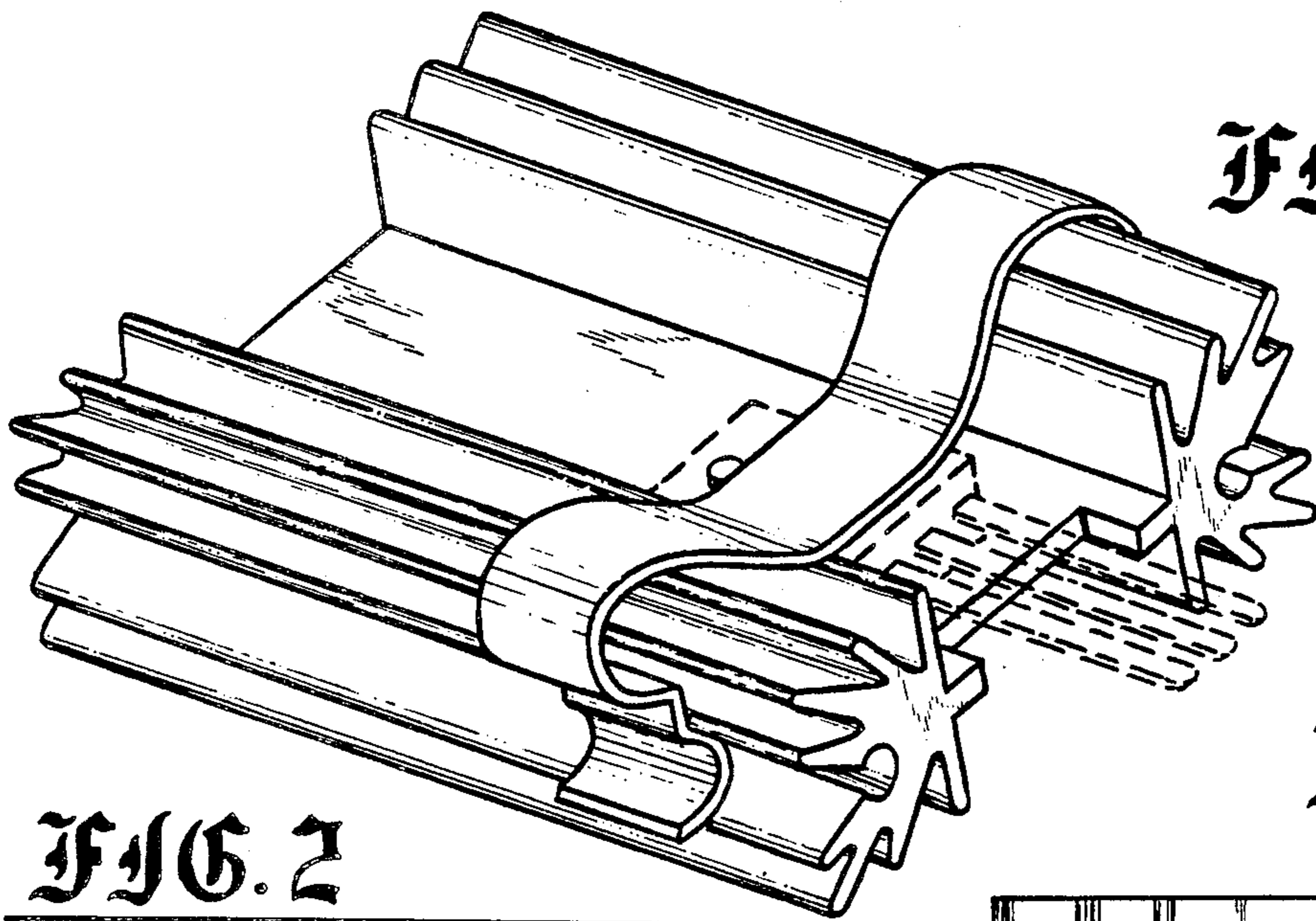


FIG. 1

FIG. 2

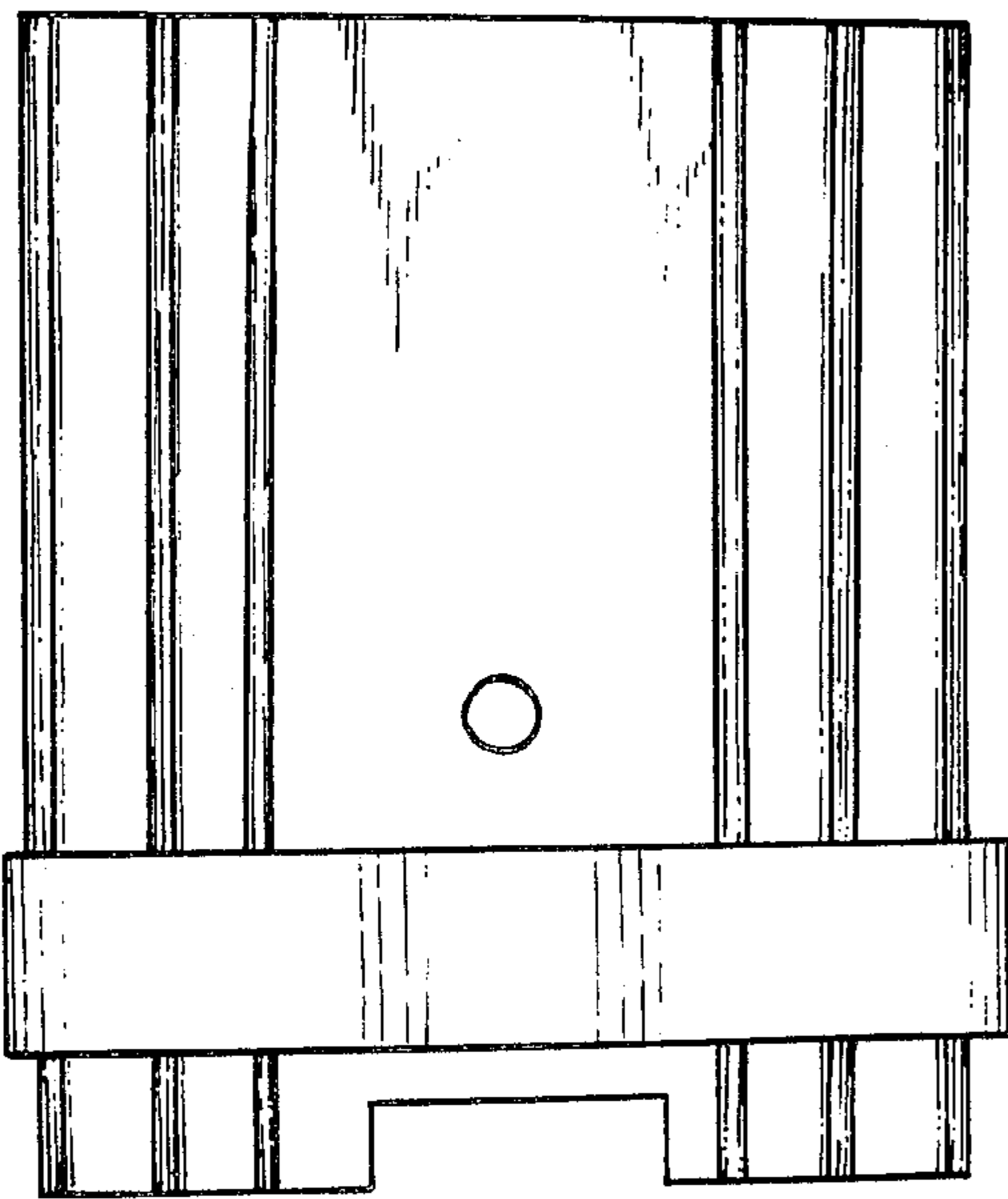


FIG. 3

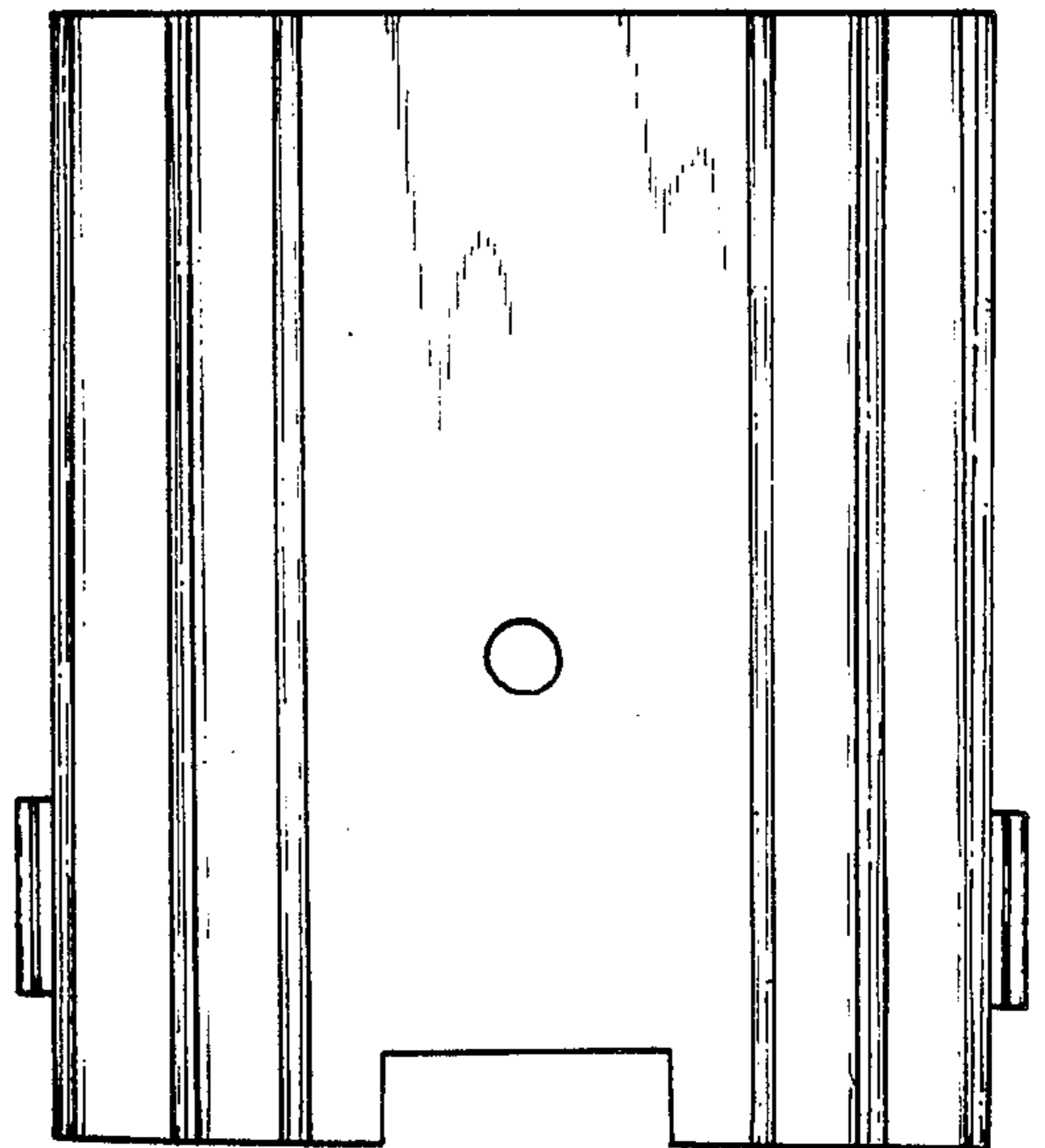


FIG. 4

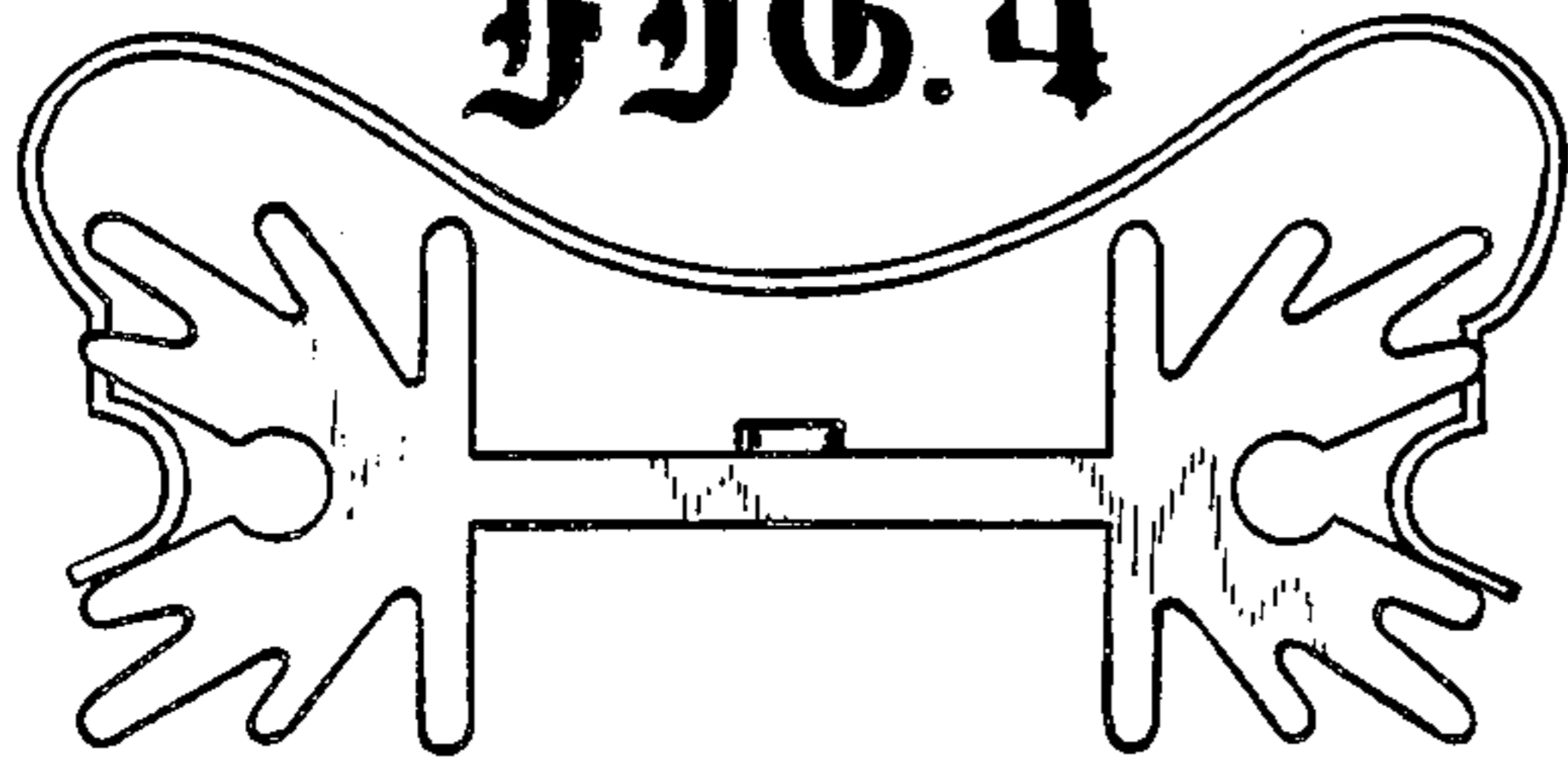


FIG. 5

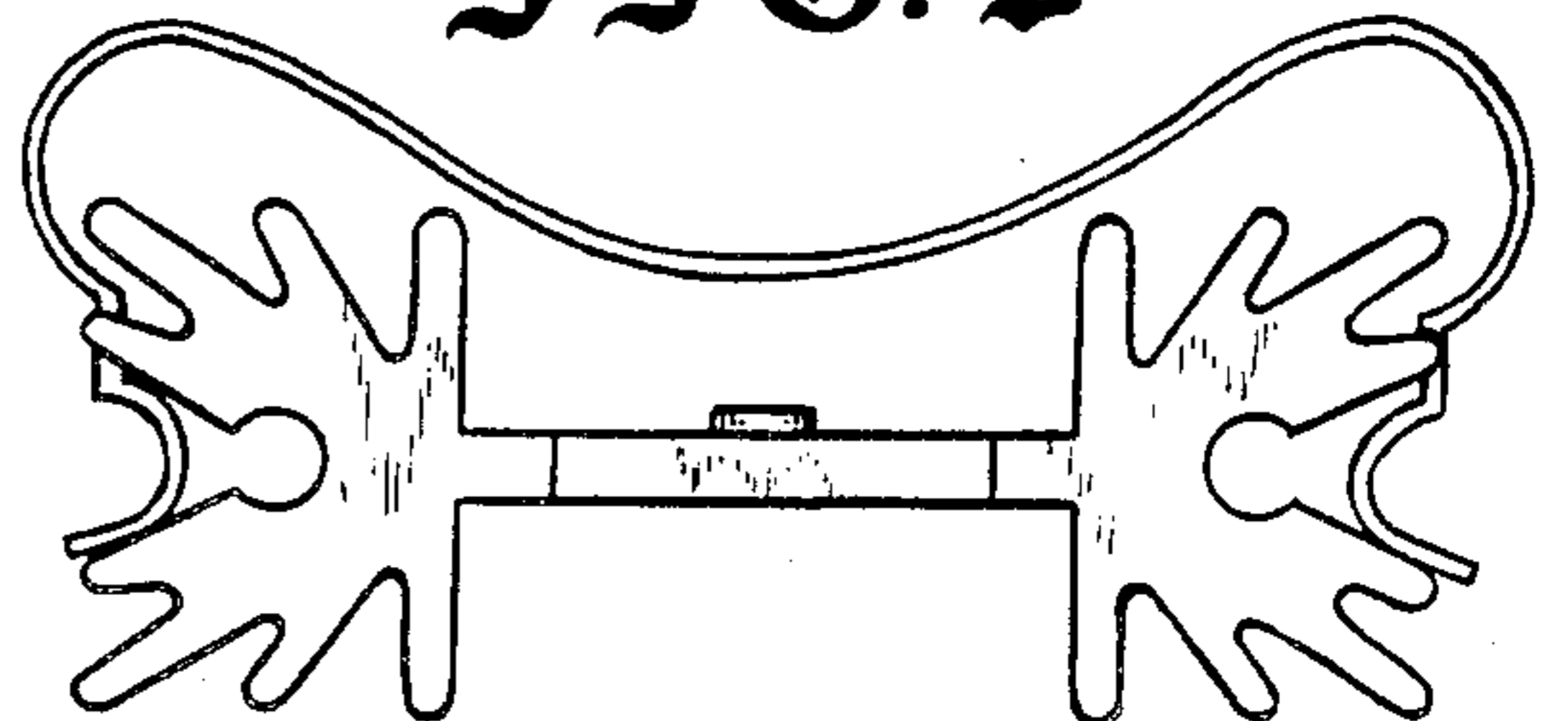


FIG. 6

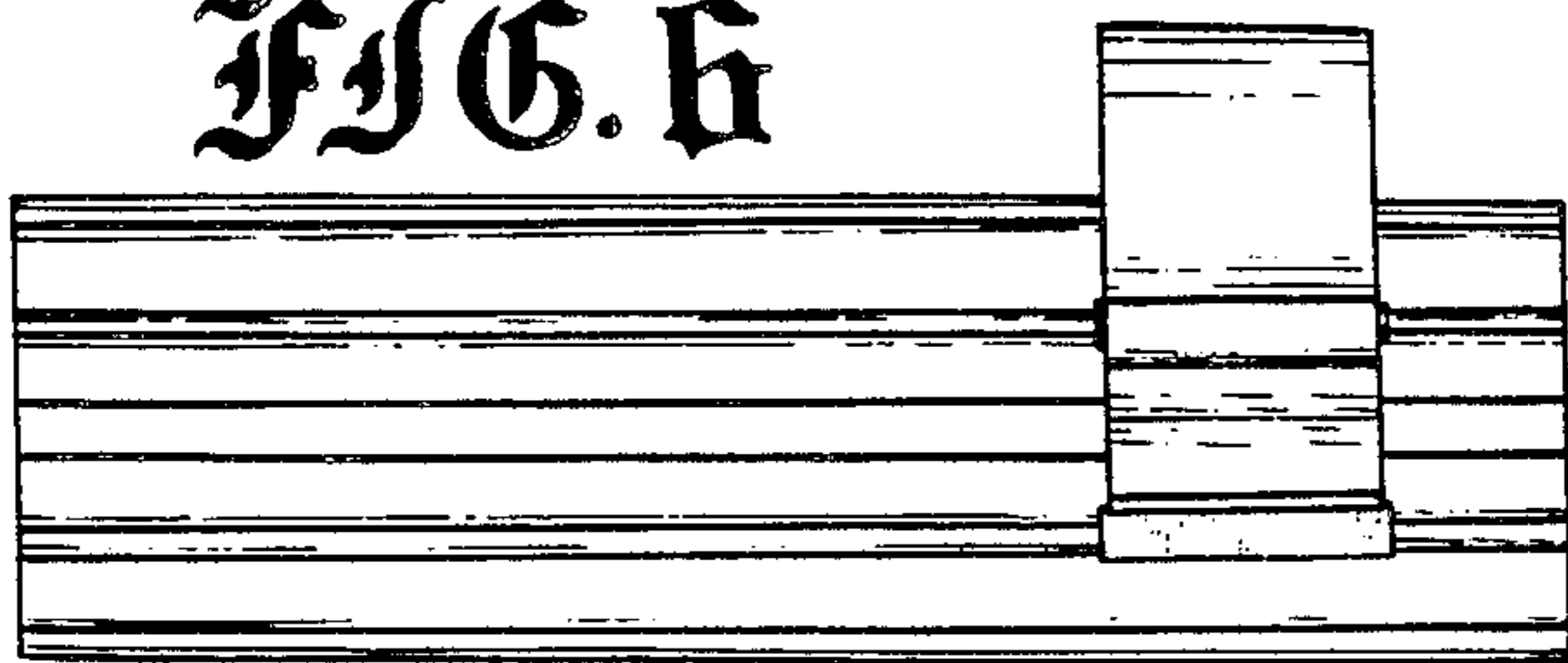


FIG. 7

