

[54] STORAGE UNIT FOR THE BUNK AREA OF CAB-OVER-ENGINE SEMITRACTOR TRUCKS FOR STORAGE OF PERSONAL ITEMS, CLOTHES, AND THE LIKE

[76] Inventor: Lewis D. Wetter, 225 N. Sherwood, No. 1-B, Fort Collins, Colo. 80521

[\*\*] Term: 14 Years

[21] Appl. No.: 748,942

[22] Filed: Jun. 26, 1985

[52] U.S. Cl. .... D12/195; D6/474

[58] Field of Search ..... D12/195; D6/474; 296/37.8; 312/352

[56] References Cited

U.S. PATENT DOCUMENTS

D. 114,103	4/1939	Hockman et al. ....	D6/474
D. 253,816	1/1980	Turek .....	D12/155
D. 286,115	10/1986	Evans .....	D6/474
3,773,378	11/1973	Lewis .....	D12/155

Primary Examiner—James M. Gandy  
Attorney, Agent, or Firm—Dean P. Edmundson

[57] CLAIM

The ornamental design for a storage unit for the bunk area of cab-over-engine semitractor trucks for storage of personal items, clothes and the like, as shown.

DESCRIPTION

FIG. 1 is a perspective view of the storage unit for the bunk area of cab-over-engine semitractor trucks for storage of personal items, clothes and the like showing my new design;

FIG. 2 is a front elevational view thereof;

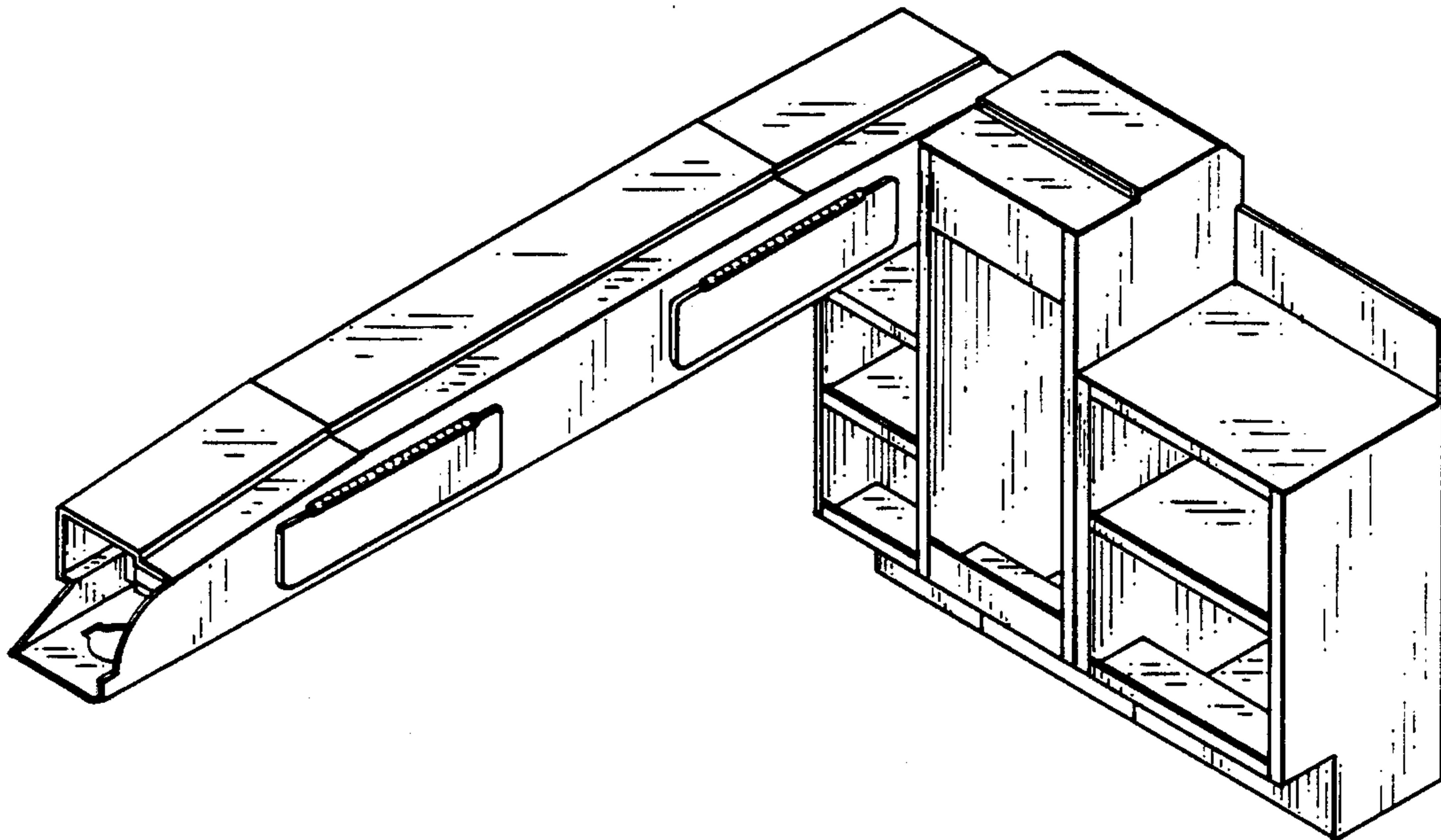
FIG. 3 is a rear elevational view thereof;

FIG. 4 is a side elevational view thereof viewed from the left;

FIG. 5 is a side elevational view thereof viewed from the right; and

FIG. 6 is a top plan view thereof; and

FIG. 7 is a bottom plan view thereof.



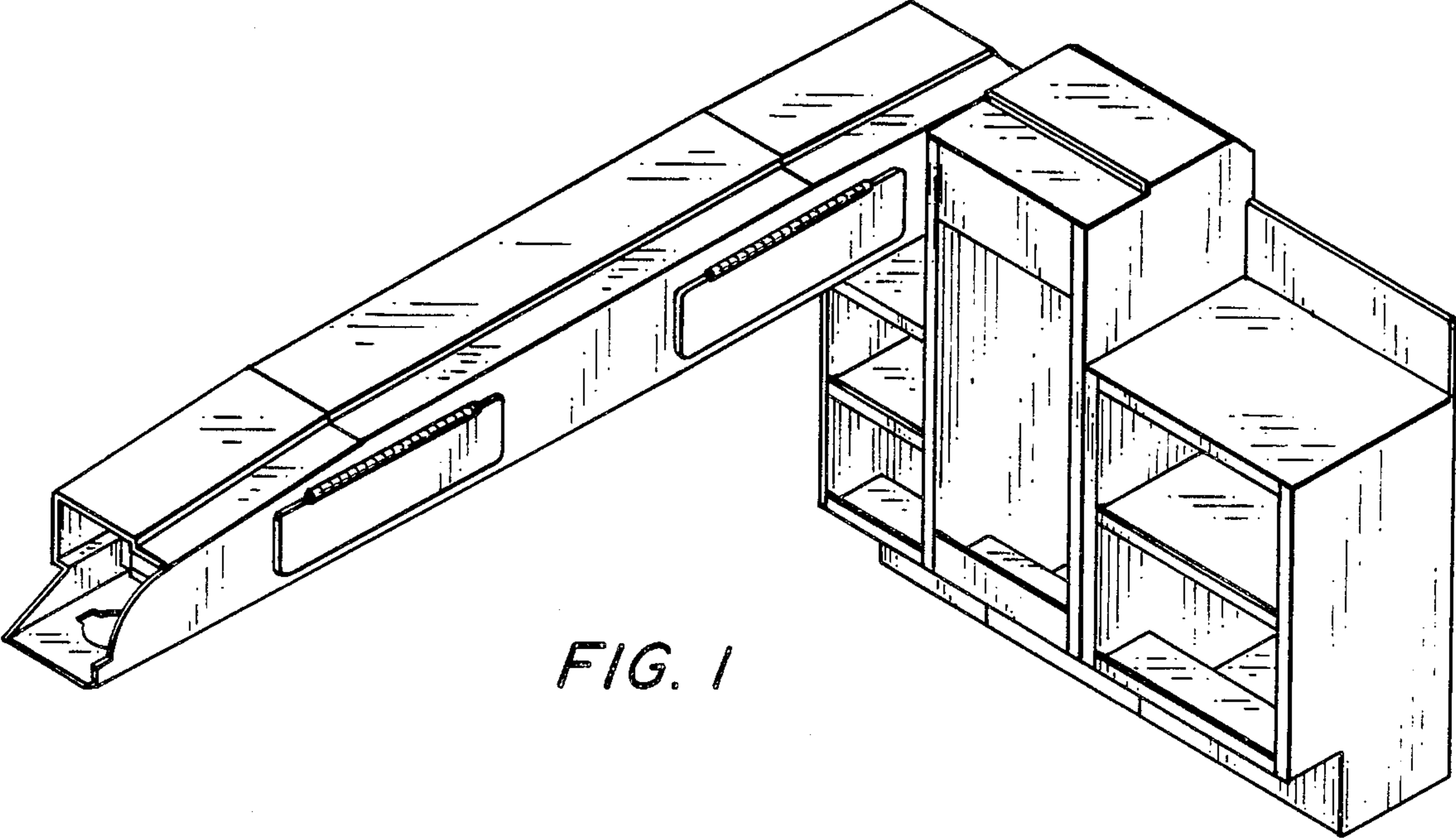


FIG. 1

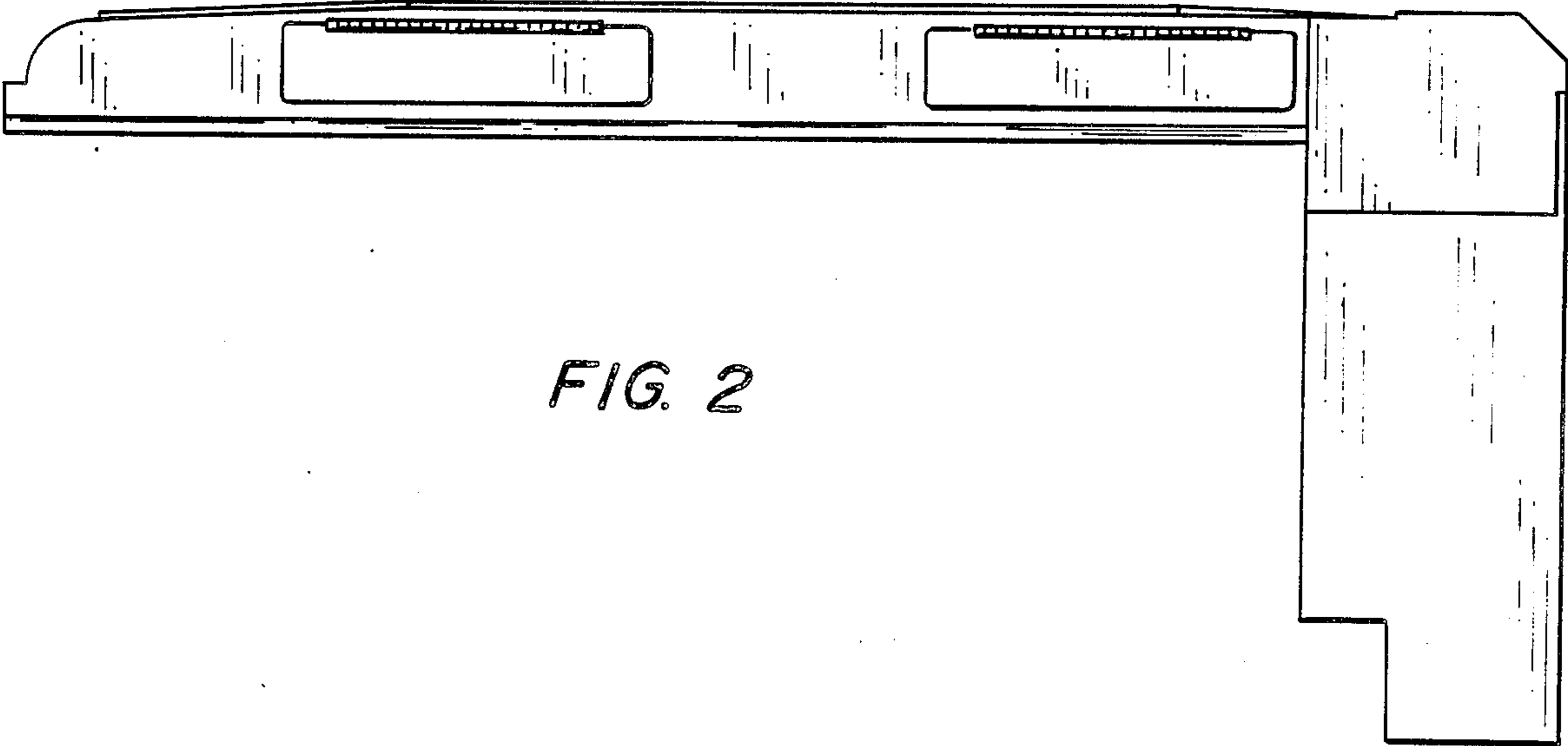


FIG. 2

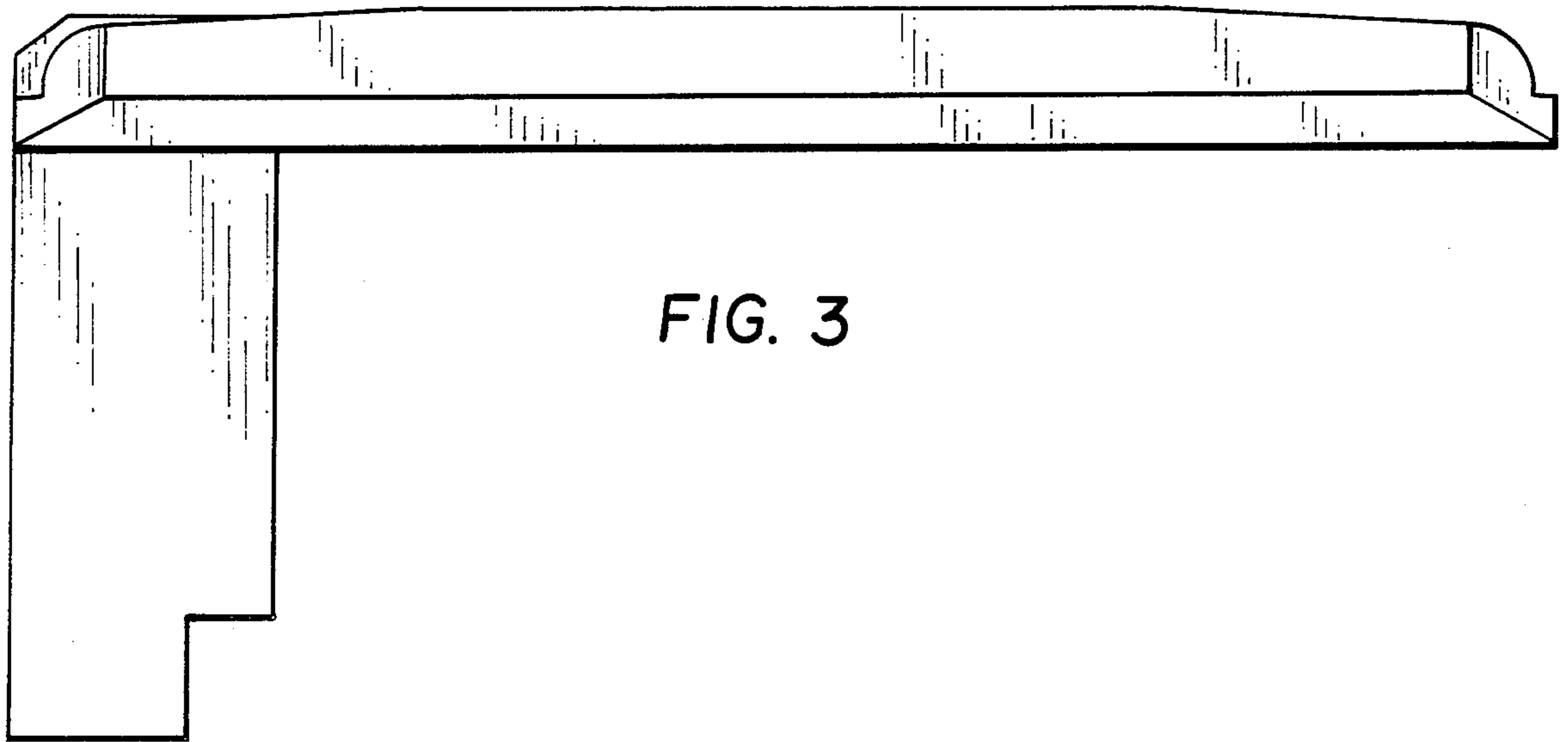


FIG. 3

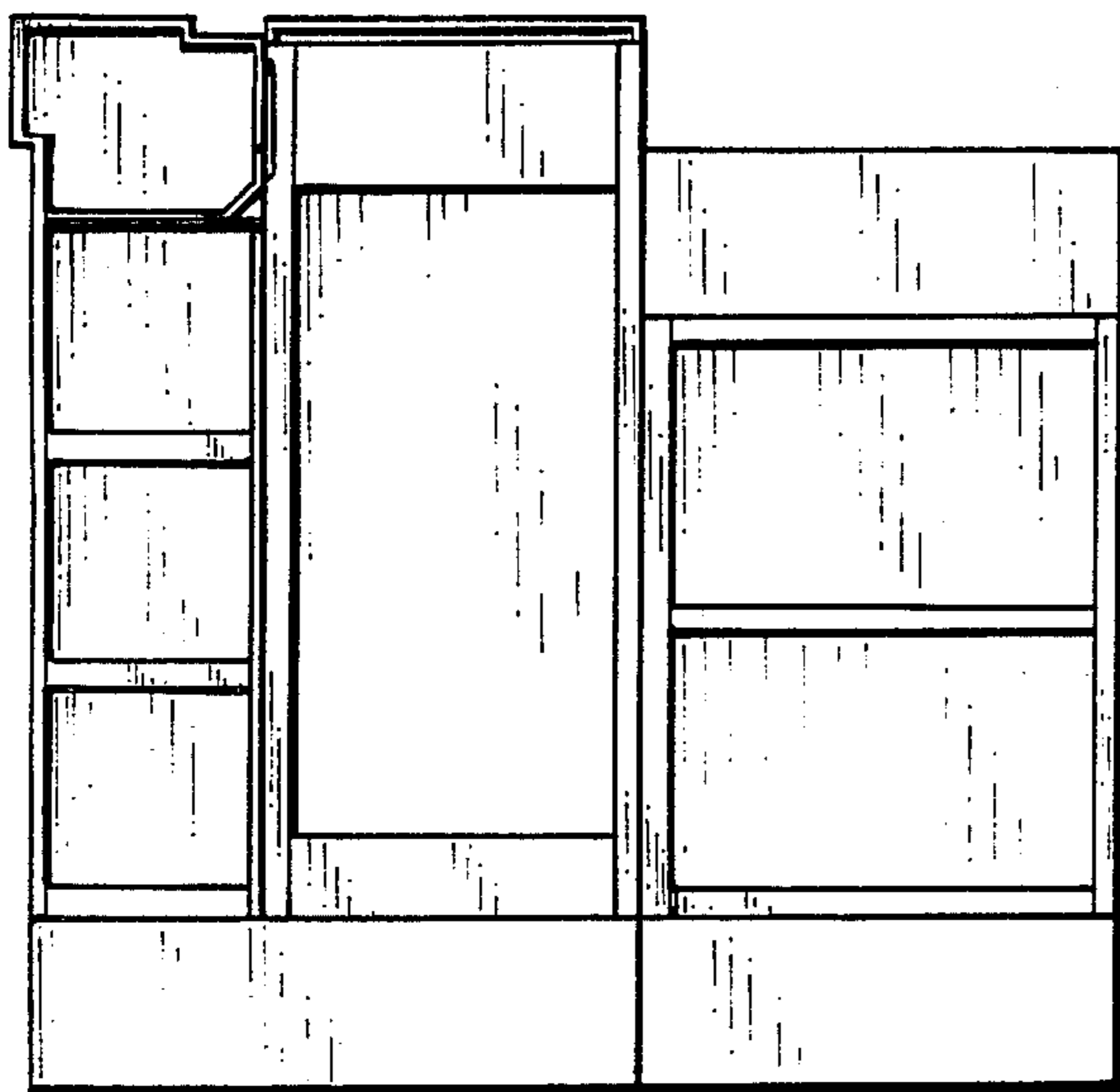


FIG. 4

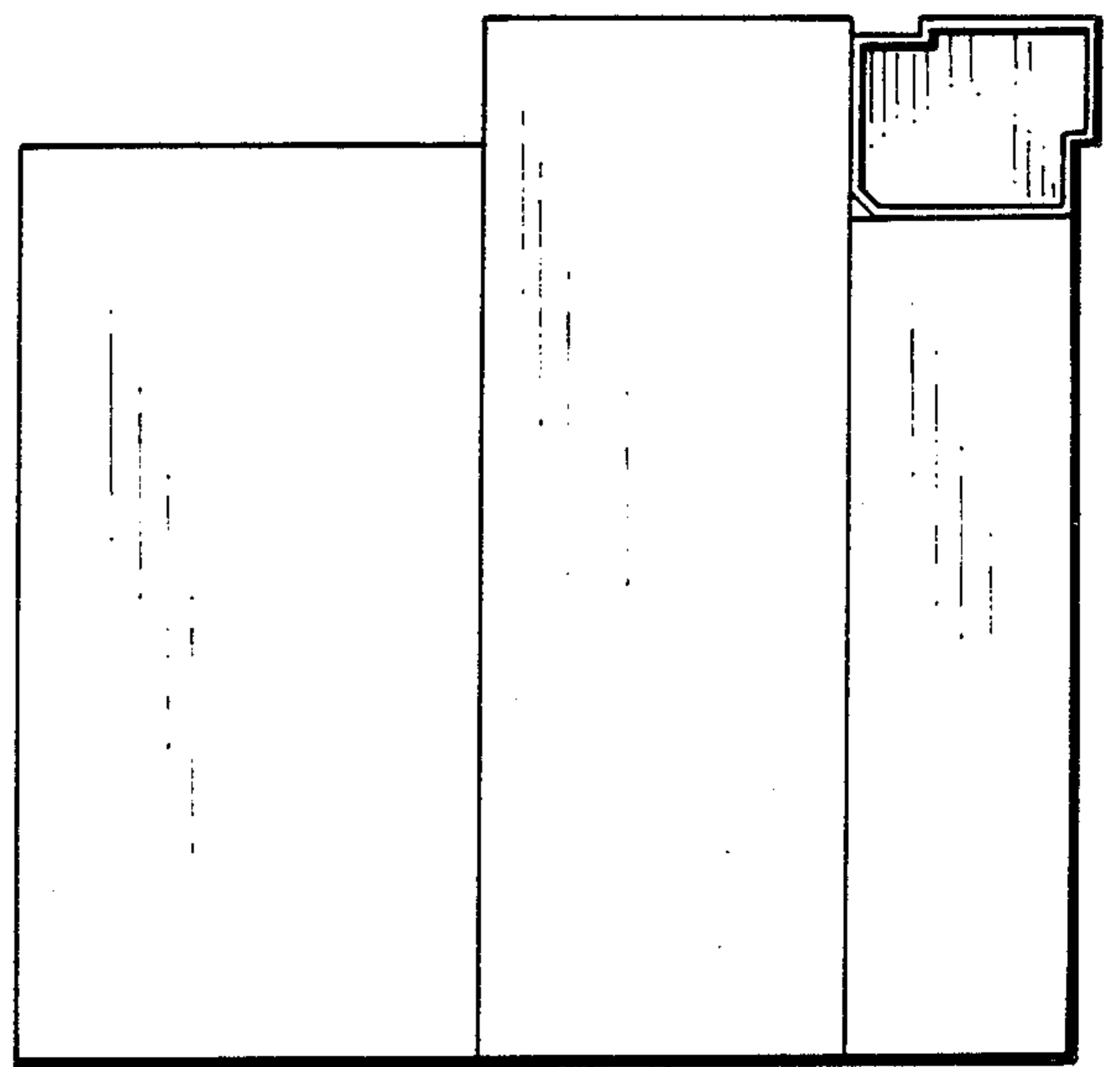


FIG. 5

