

[54] **TRAILER FRONT END CAP**

[75] **Inventor: L. Michael Arnold, Elkhart, Ind.**

[73] **Assignee: Haulmark Industries, Inc., Bristol, Ind.**

[\*\*] **Term: 14 Years**

[21] **Appl. No.: 822,656**

[22] **Filed: Jan. 27, 1986**

[52] **U.S. Cl. .... D12/106; D12/181**

[58] **Field of Search .... D12/106, 181; 296/1.5, 296/91, 156, 168**

[56] **References Cited**

**U.S. PATENT DOCUMENTS**

D. 215,591 10/1969 Birchard et al. .... D12/106

D. 290,106 6/1987 Arnold ..... D12/181

*Primary Examiner*—James M. Gandy  
*Attorney, Agent, or Firm*—Thomas J. Dodd

[57] **CLAIM**

The ornamental design for a trailer front end cap, as shown and described.

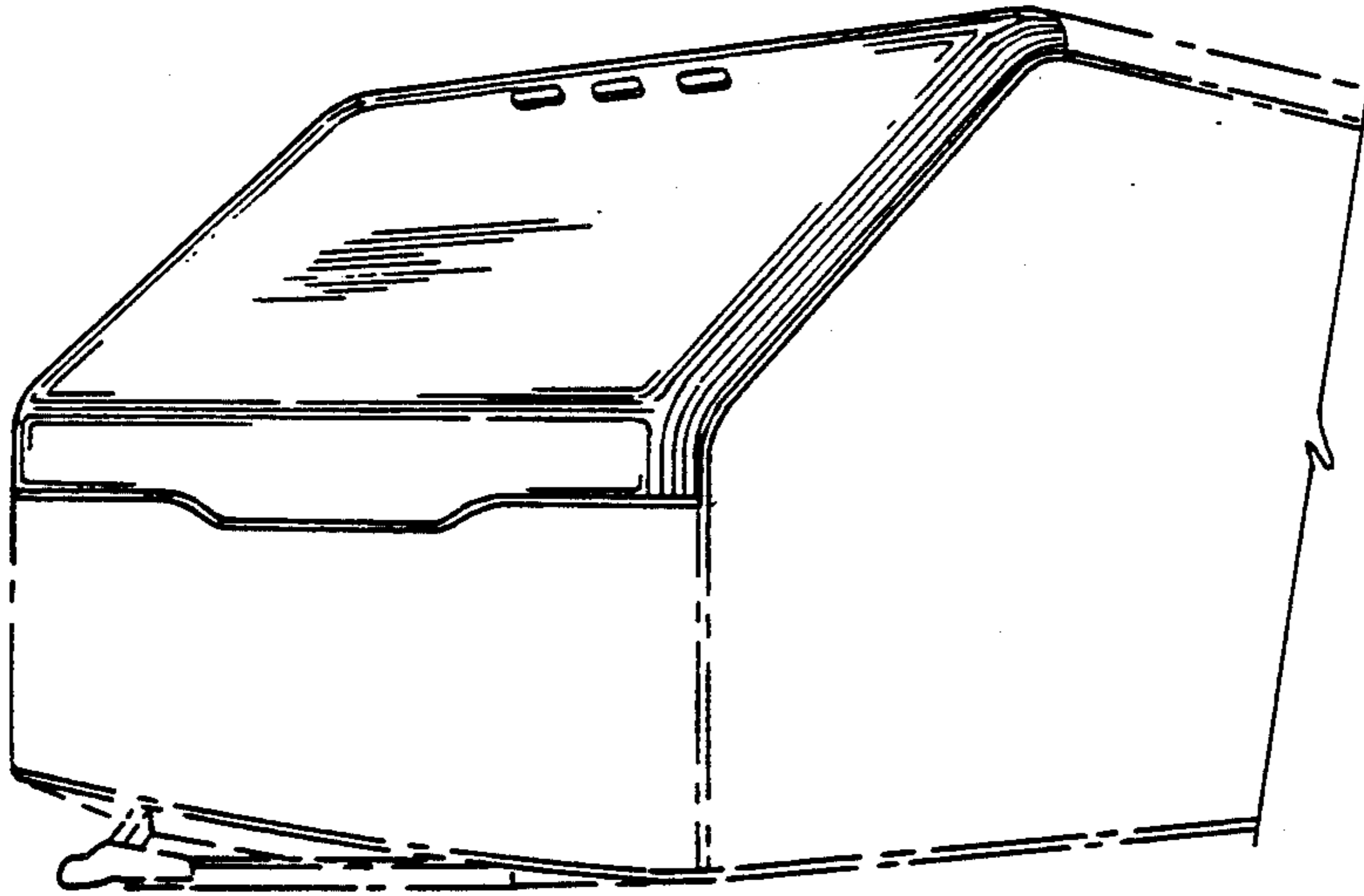
**DESCRIPTION**

FIG. 1 is a perspective view of a trailer front end cap showing my new design, it being understood that the fragmentary broken line depiction of a trailer is for illustrative purposes only and forms no part of the claimed design;

FIG. 2 is a top plan view thereof;

FIG. 3 is a left side elevation view thereof, with the right side being substantially a mirror image; and;

FIG. 4 is a front elevation view thereof.



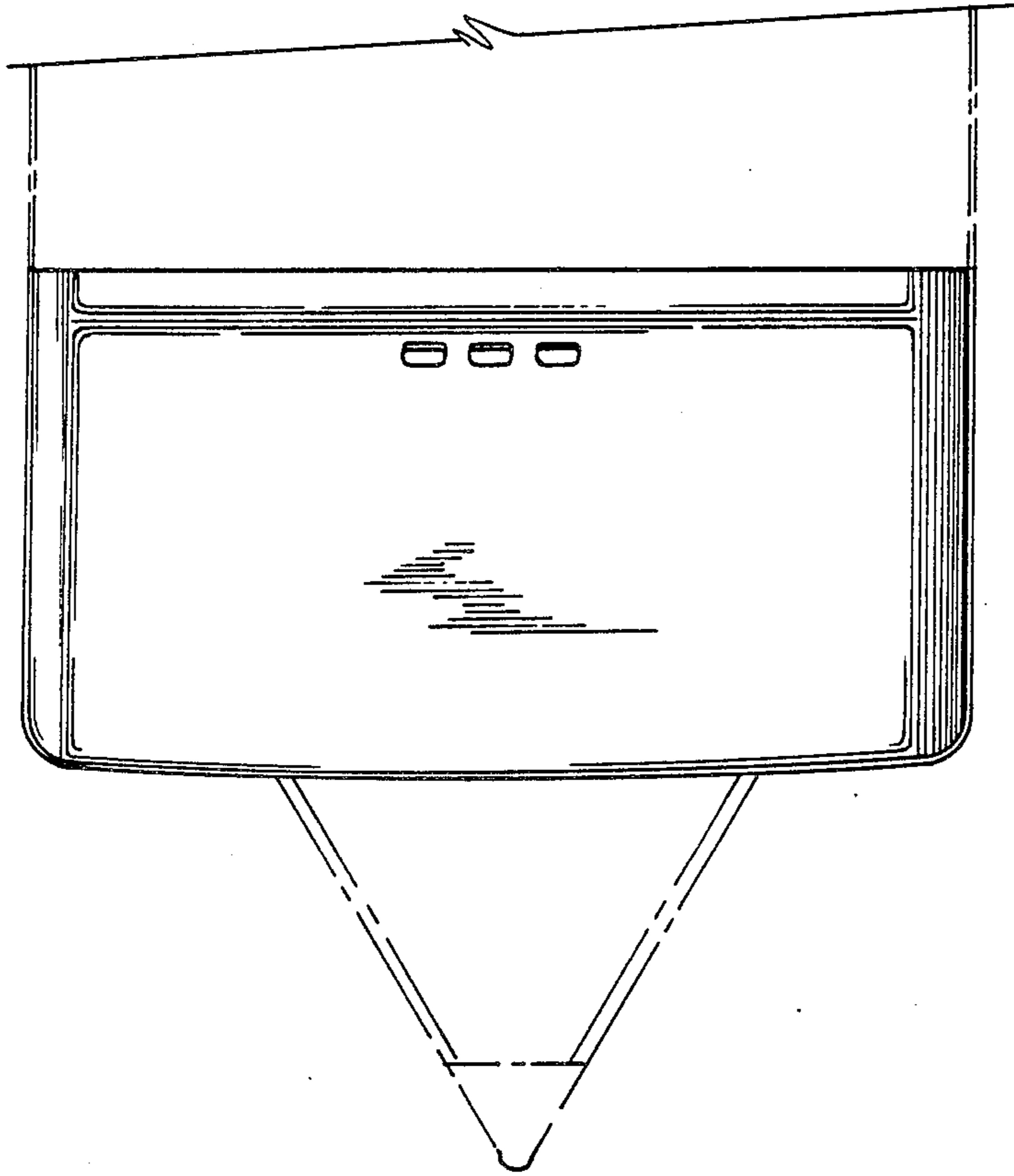


FIG. 2

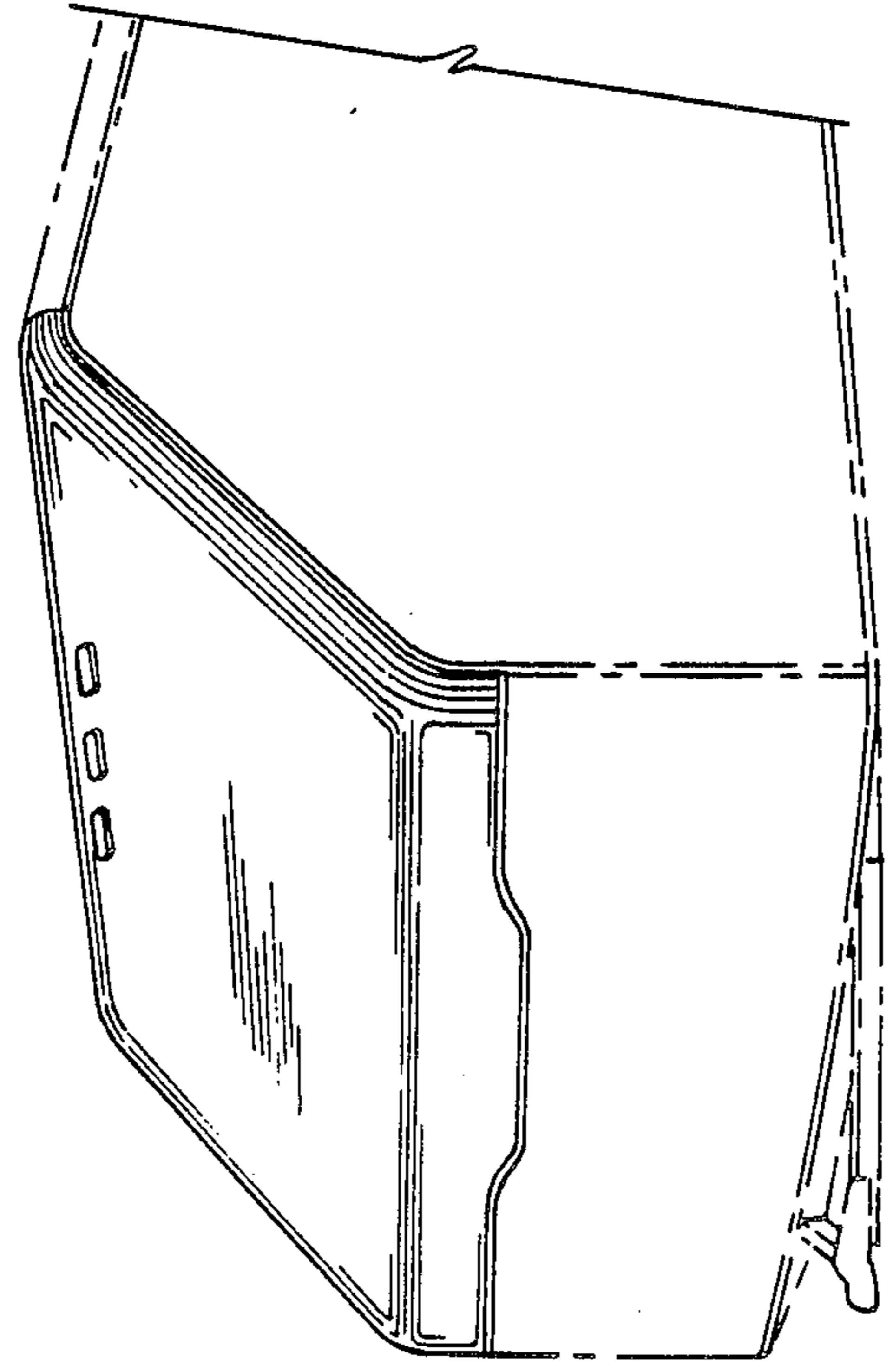


FIG. 1

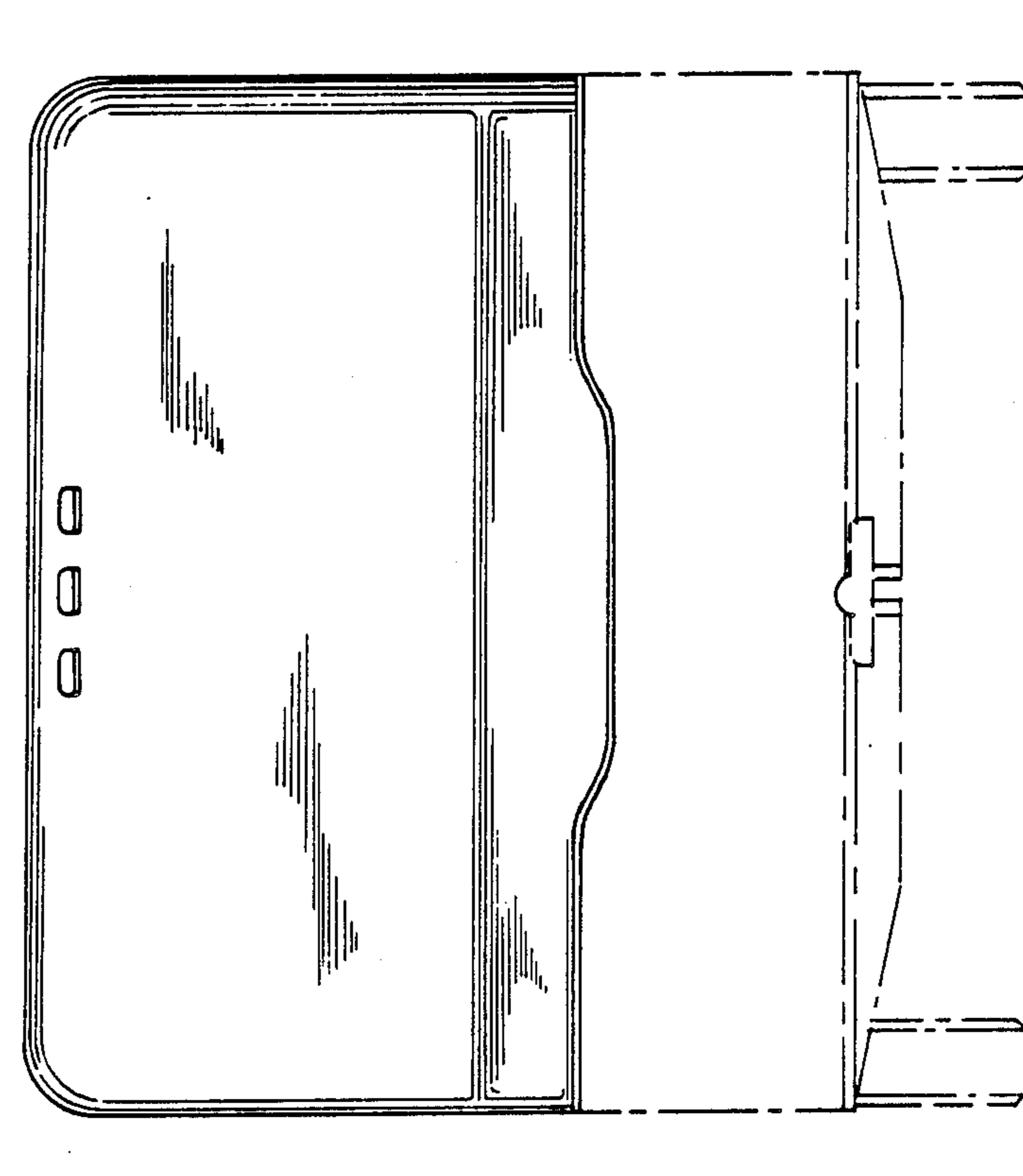


FIG. 4

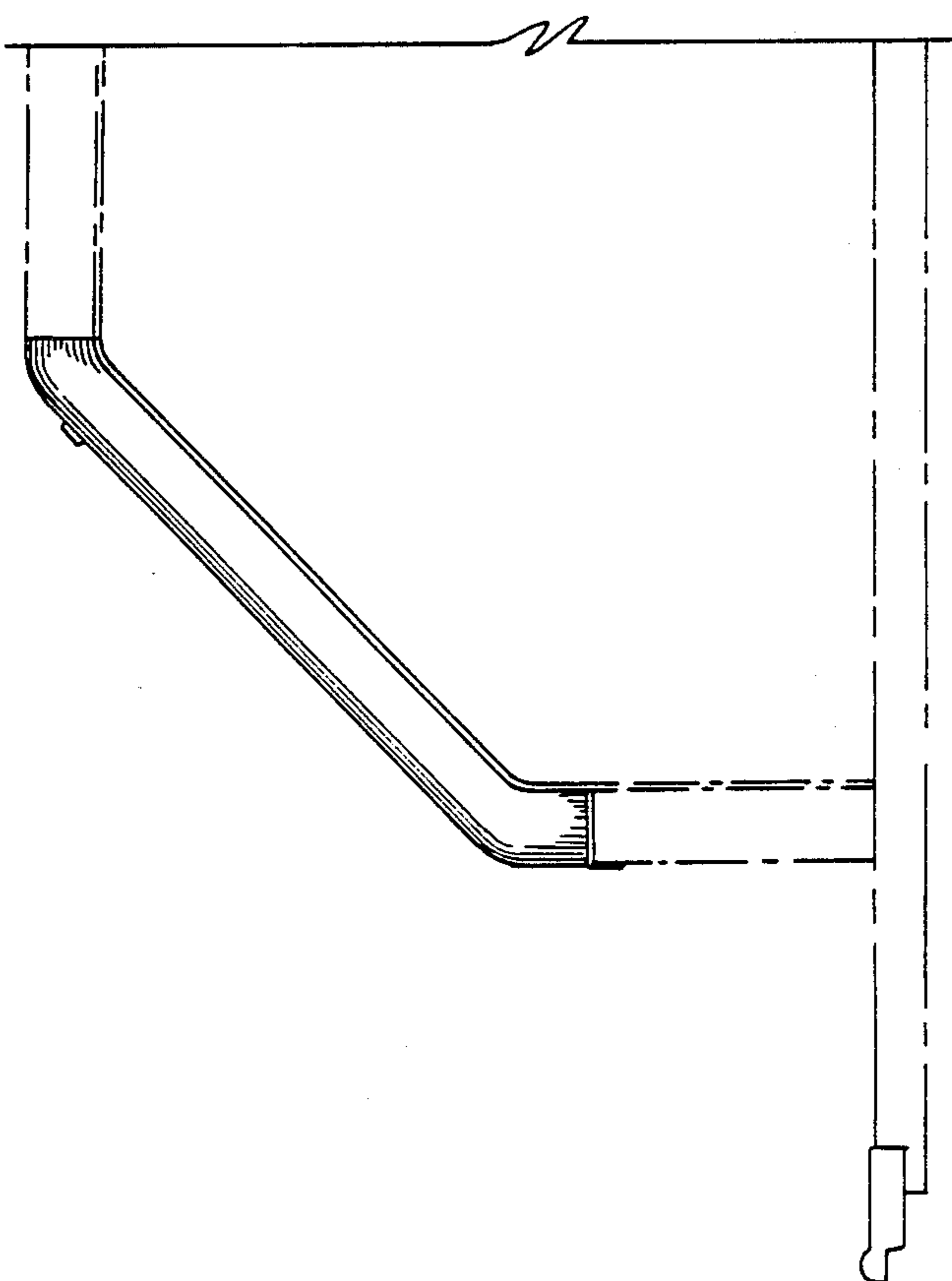


FIG. 3