

[54] COMBINED VASE AND OIL LAMP OR SIMILAR ARTICLE

[76] Inventor: Walter Le, 10340 Glenoaks Blvd., Pacoima, Calif. 91331

[\*\*] Term: 14 Years

[21] Appl. No.: 728,046

[22] Filed: Apr. 29, 1985

[52] U.S. Cl. .... D11/143; D26/10; D26/11; D26/93

[58] Field of Search ..... D11/143, 131, 132, 144; D26/10, 11, 93; 431/320; 362/159; 47/41 R, 66, 415 S; 206/423

[56] References Cited

U.S. PATENT DOCUMENTS

D. 207,413	4/1967	Gardner	.....	D26/10
D. 251,199	2/1979	Campbell	.....	D11/132
D. 266,877	11/1982	Wheeler	.....	D26/11
D. 281,279	11/1985	Perkins	.....	D26/10
4,511,952	4/1985	Vanbragt	.....	362/159

OTHER PUBLICATIONS

Haegor Potteries Cat., 1946; p. 14; Circular Vase R-441 (center bottom).

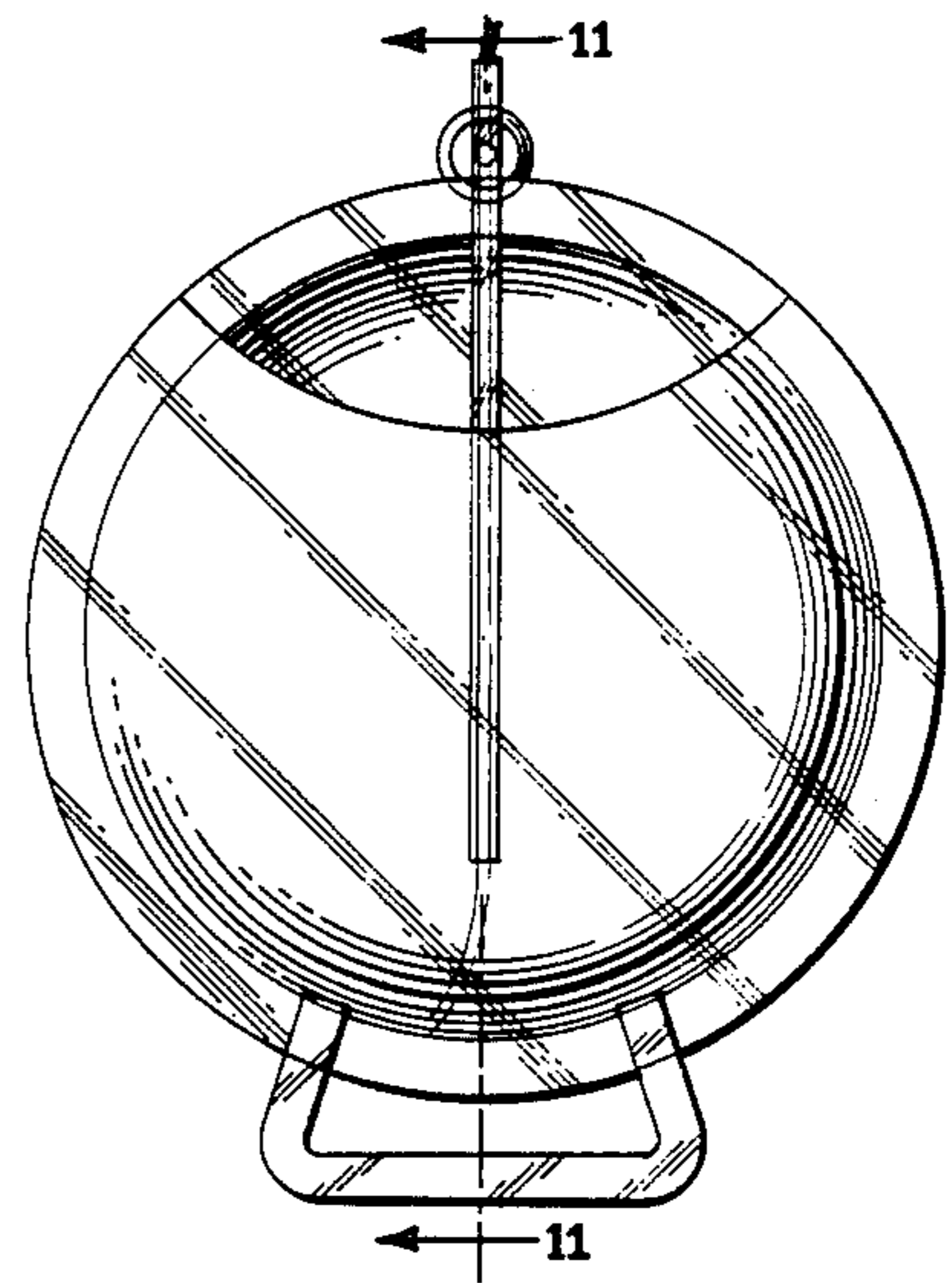
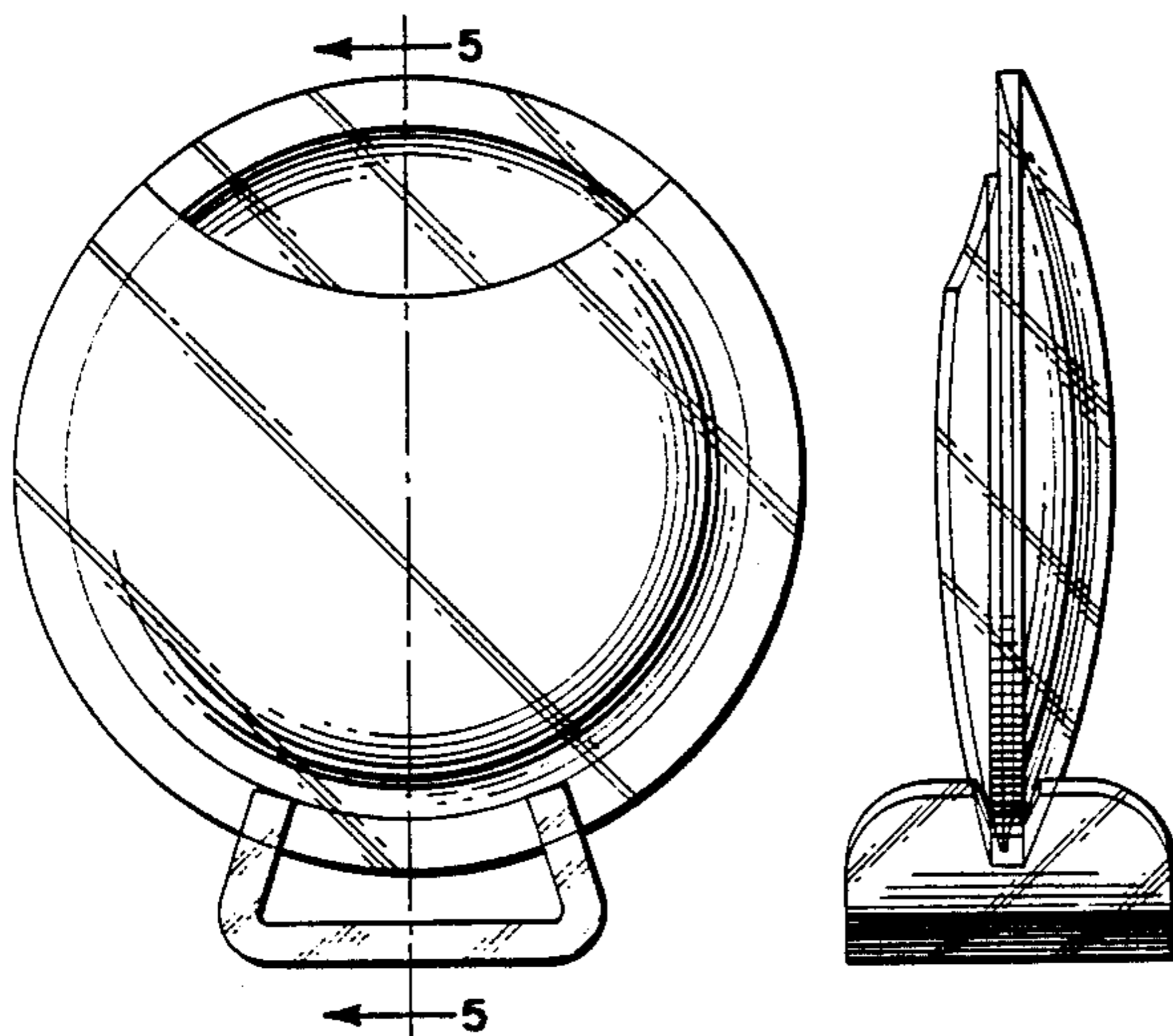
Primary Examiner—B. J. Bullock  
Attorney, Agent, or Firm—Banner, Birch, McKie & Beckett

[57] CLAIM

The ornamental design for a combined vase and oil lamp or similar article, as shown and described.

DESCRIPTION

FIG. 1 is a front elevational view of a combined vase and oil lamp or similar article showing my new design embodied as a vase;  
 FIG. 2 is a right side elevational view thereof, the left side being a mirror image;  
 FIG. 3 is a top plan view thereof;  
 FIG. 4 is a rear elevational view thereof;  
 FIG. 5 is a sectional view taken in the direction of the arrows on line 5—5 of FIG. 1;  
 FIG. 6 is a bottom plan view thereof;  
 FIG. 7 is a front elevational view of a second embodiment of the design of FIG. 1 embodied as an oil lamp;  
 FIG. 8 is a right side elevational view of FIG. 7, the left side being a mirror image;  
 FIG. 9 is a top plan view of FIG. 7;  
 FIG. 10 is a rear elevational view of FIG. 7;  
 FIG. 11 is a sectional taken in the direction of the arrows on line 11—11 of FIG. 7.



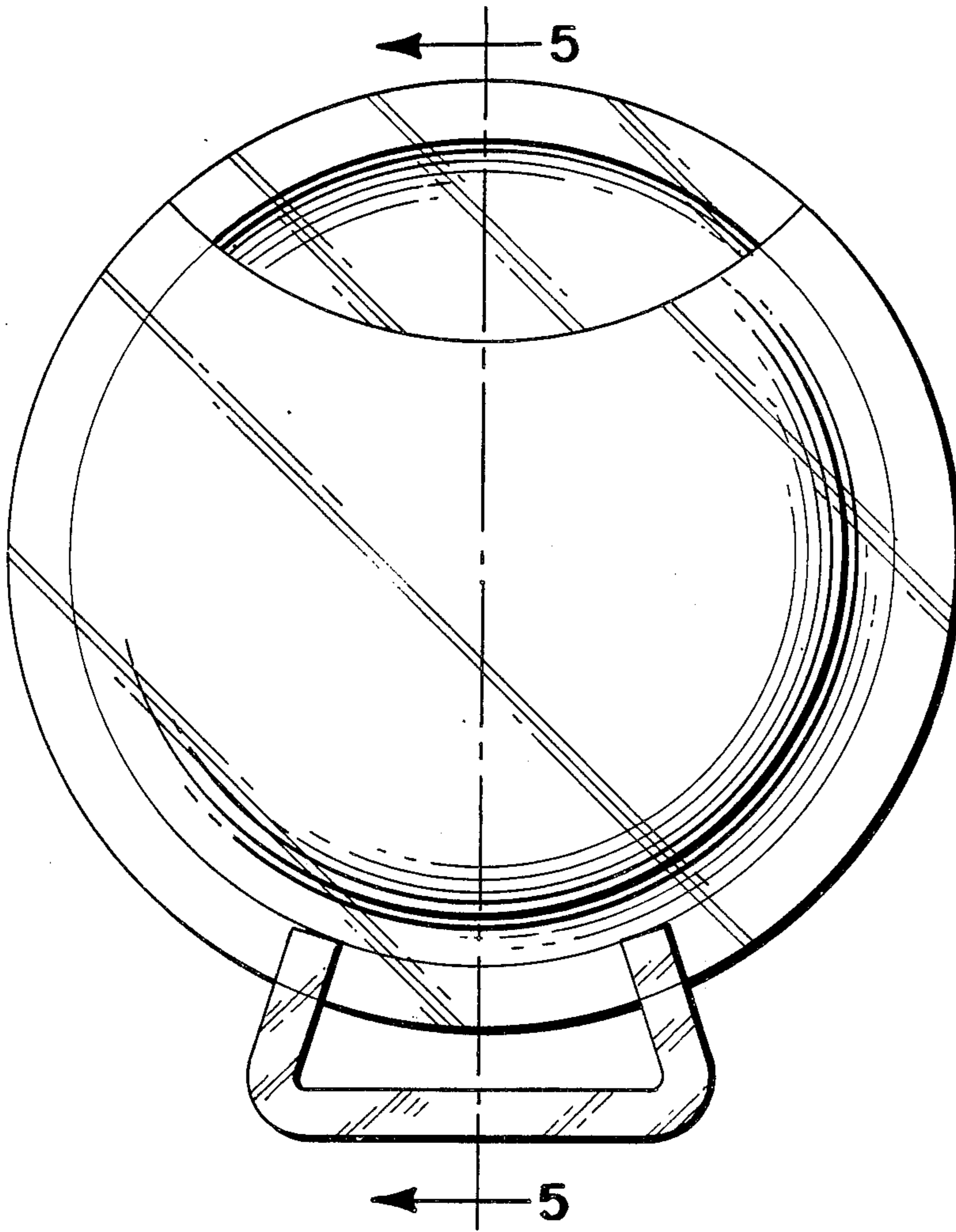


FIG. 1

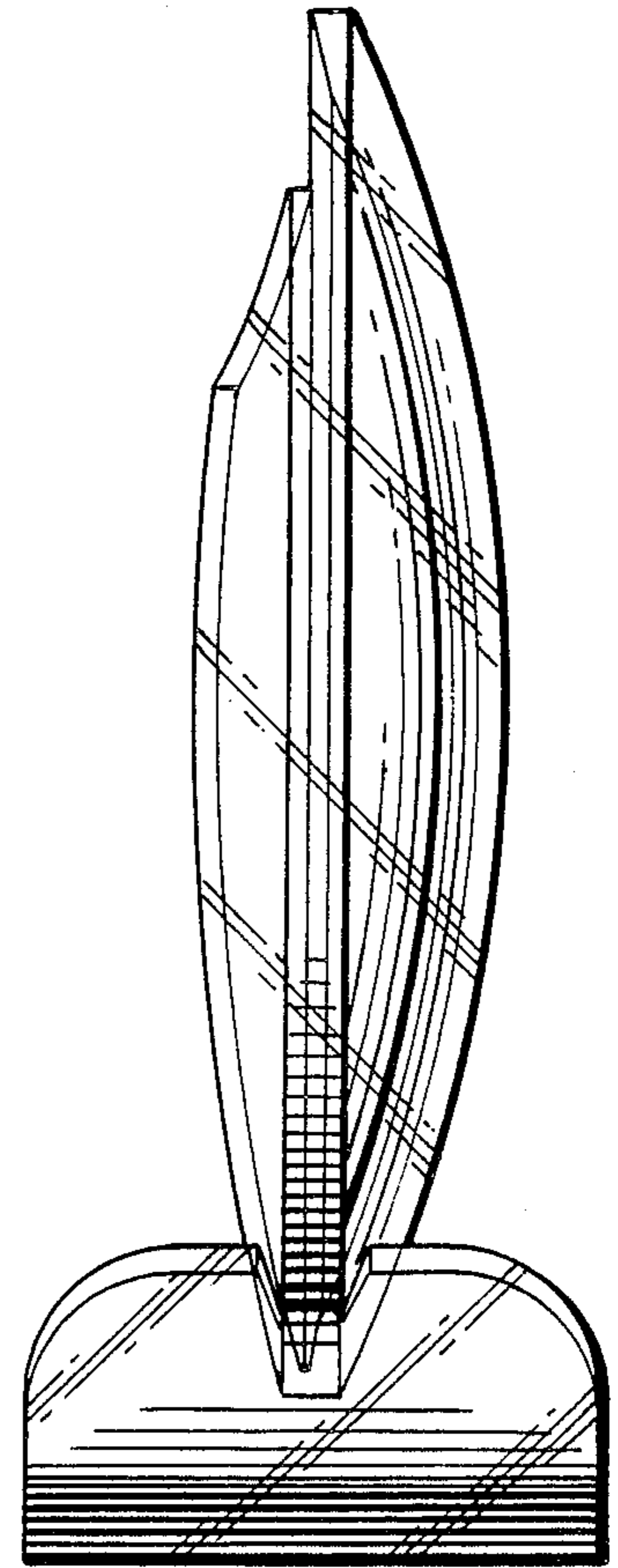


FIG. 2

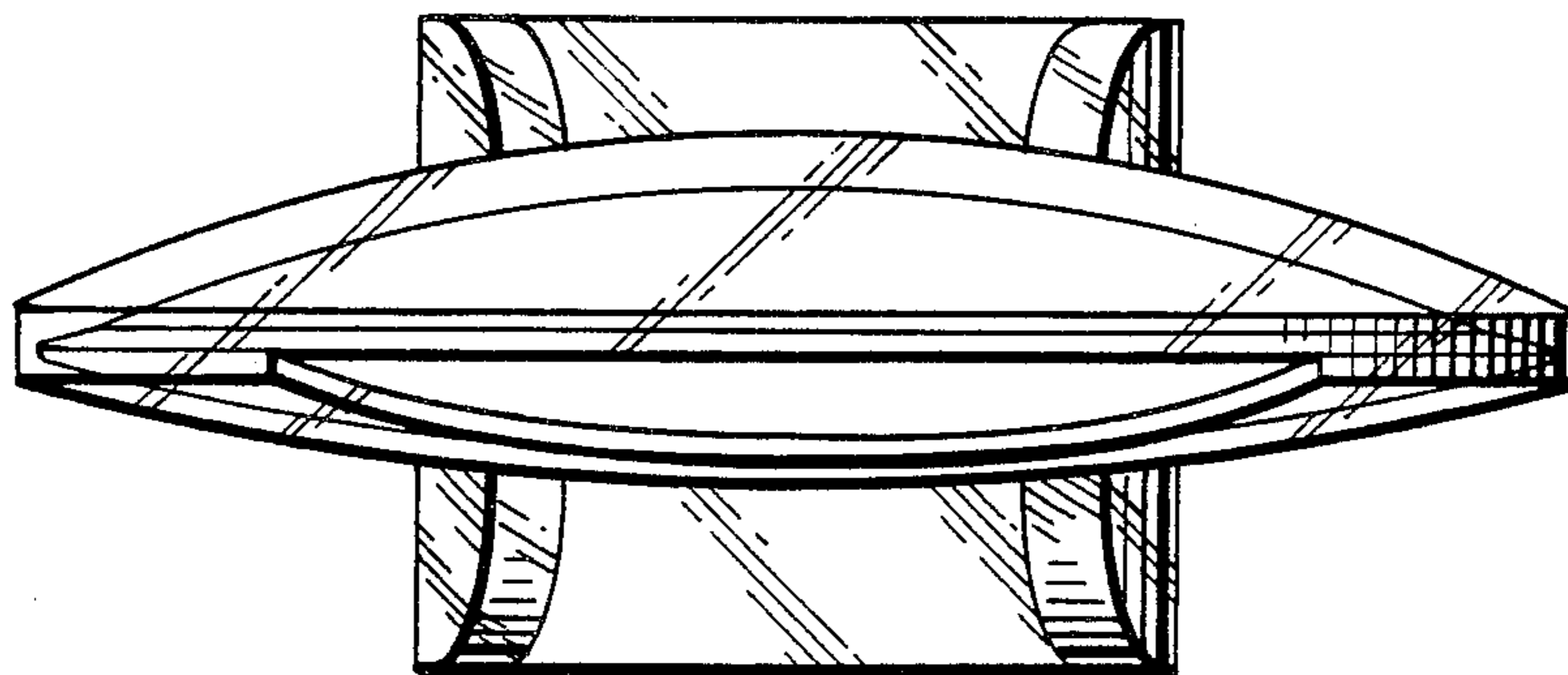


FIG. 3



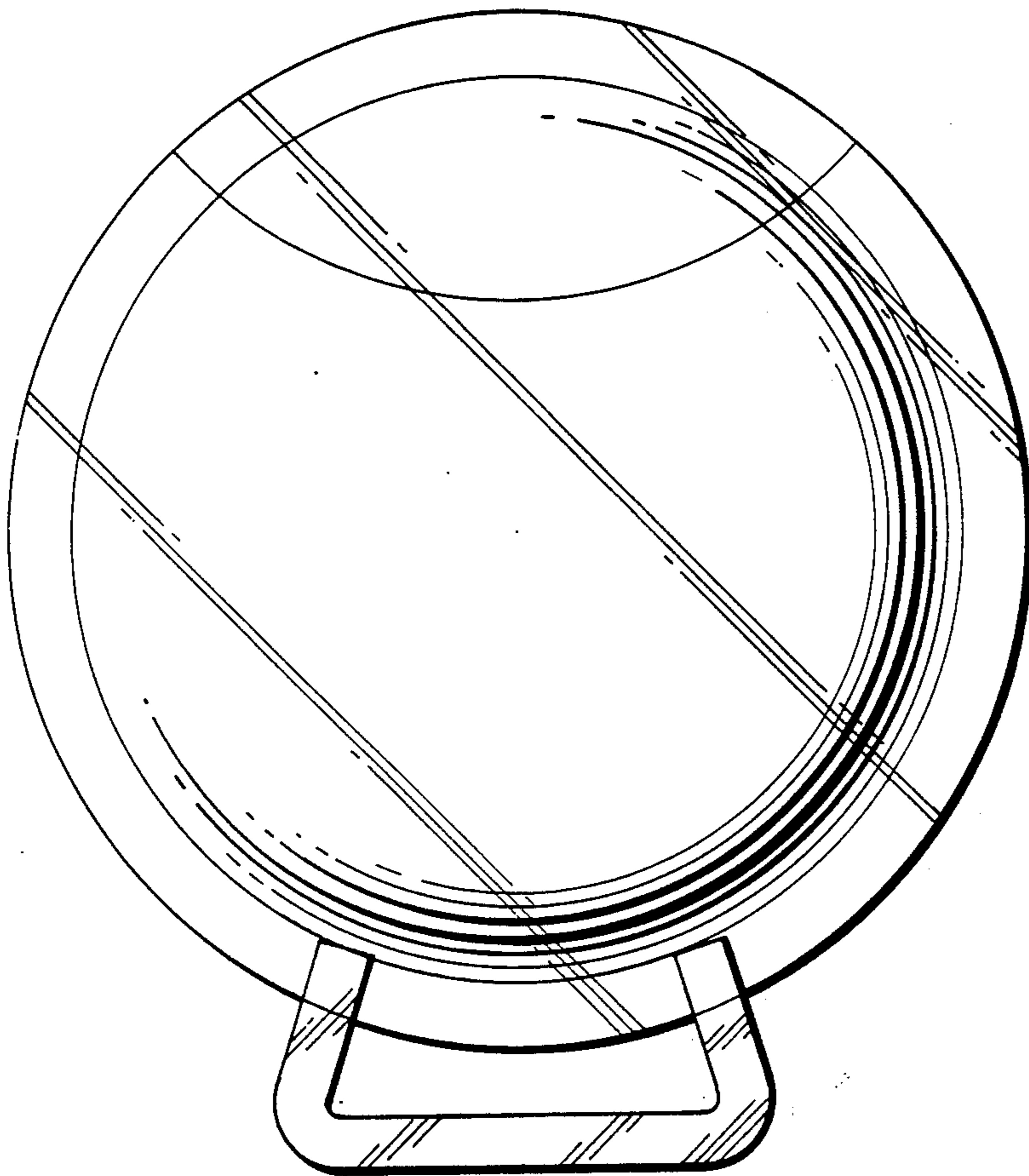


FIG. 4

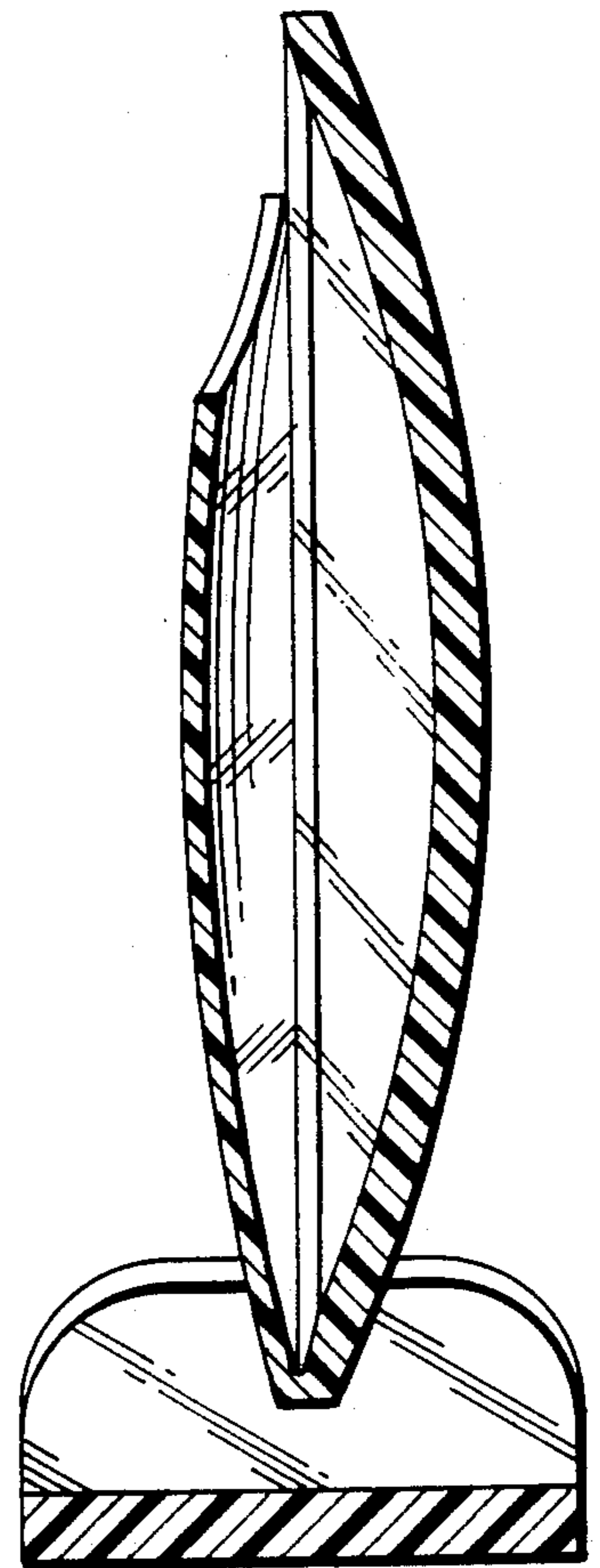


FIG. 5

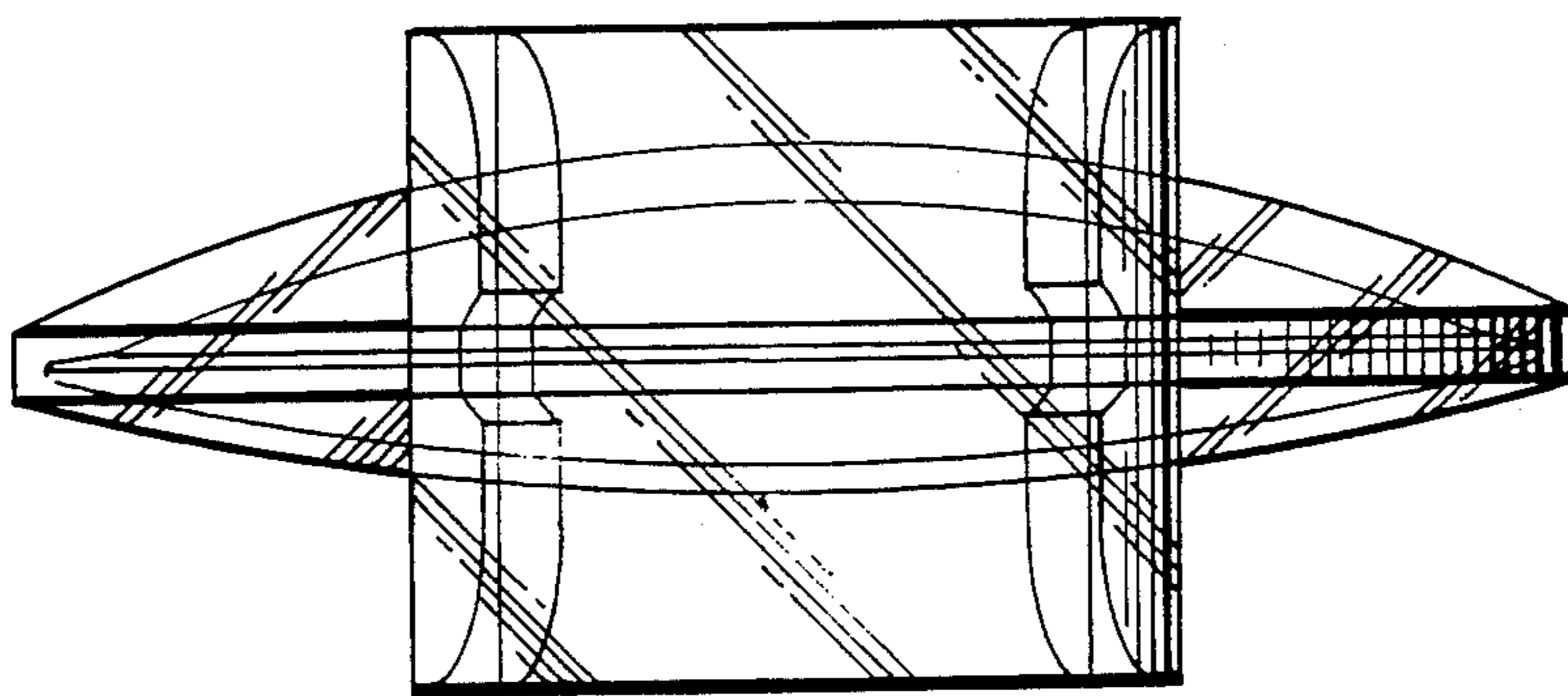


FIG. 6

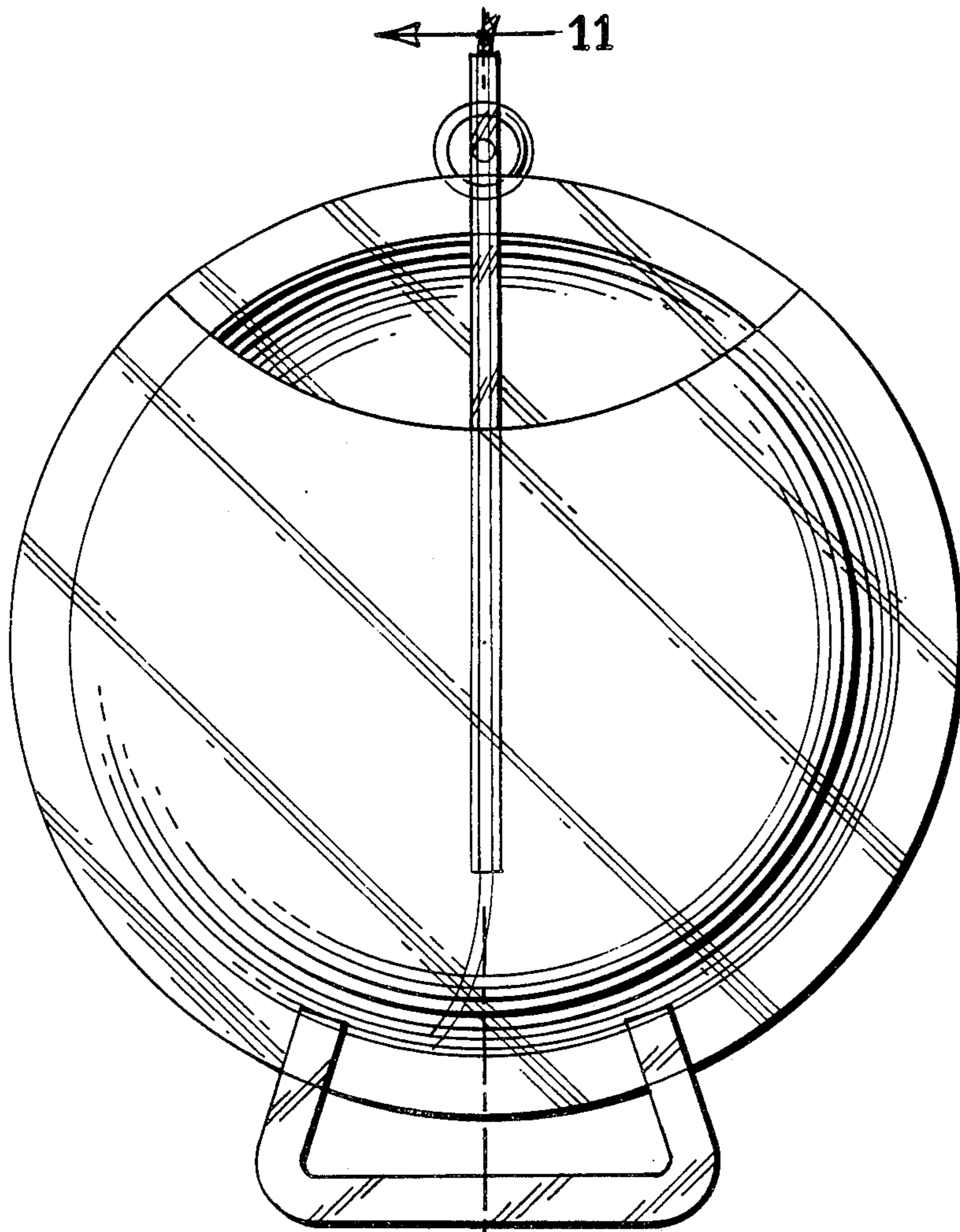


FIG. 7

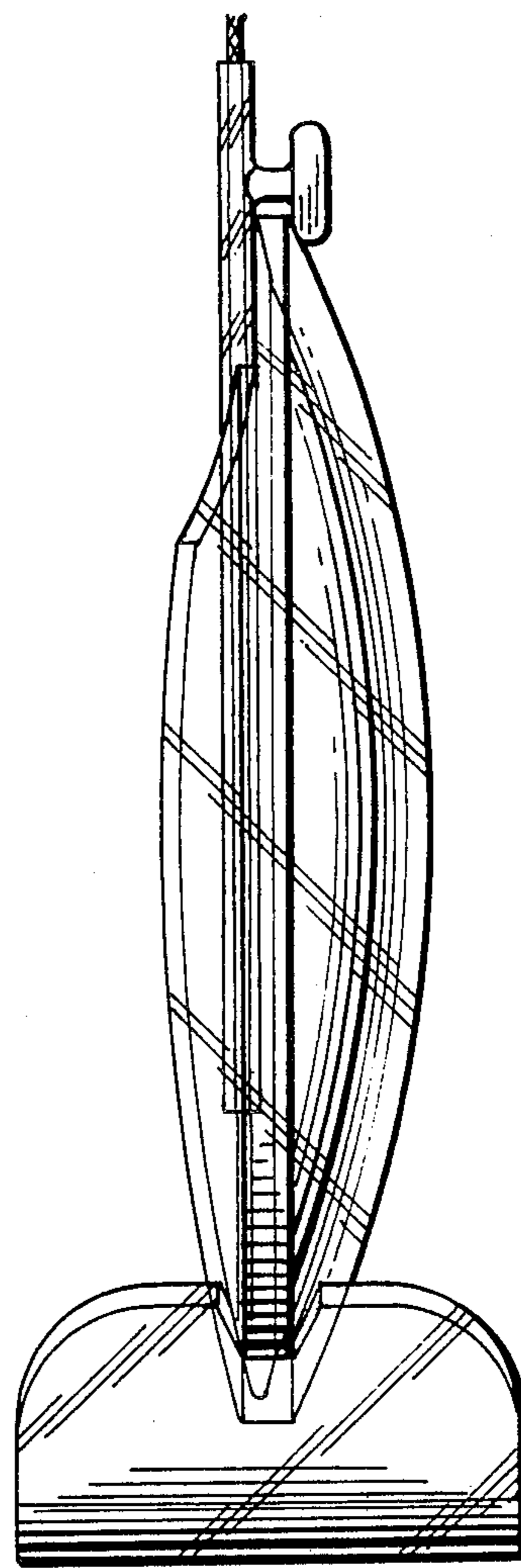


FIG. 8

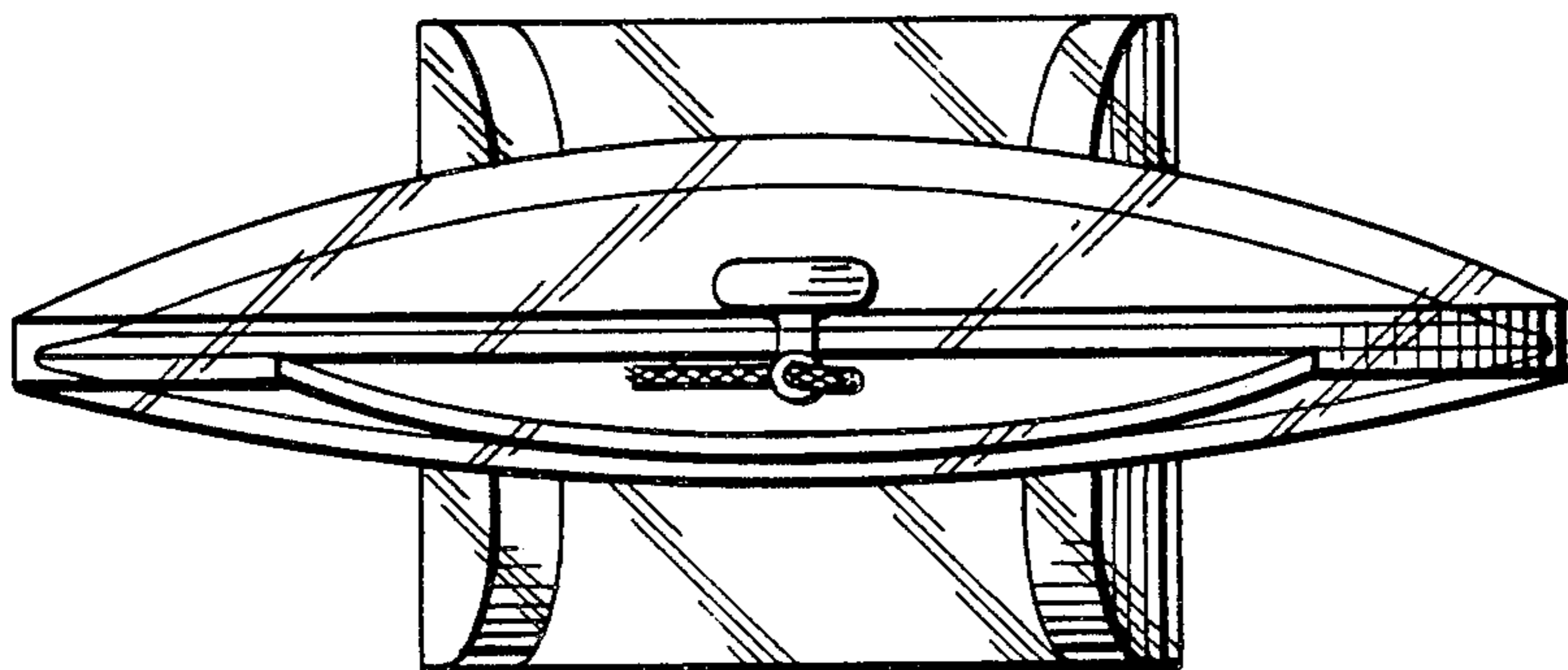


FIG. 9

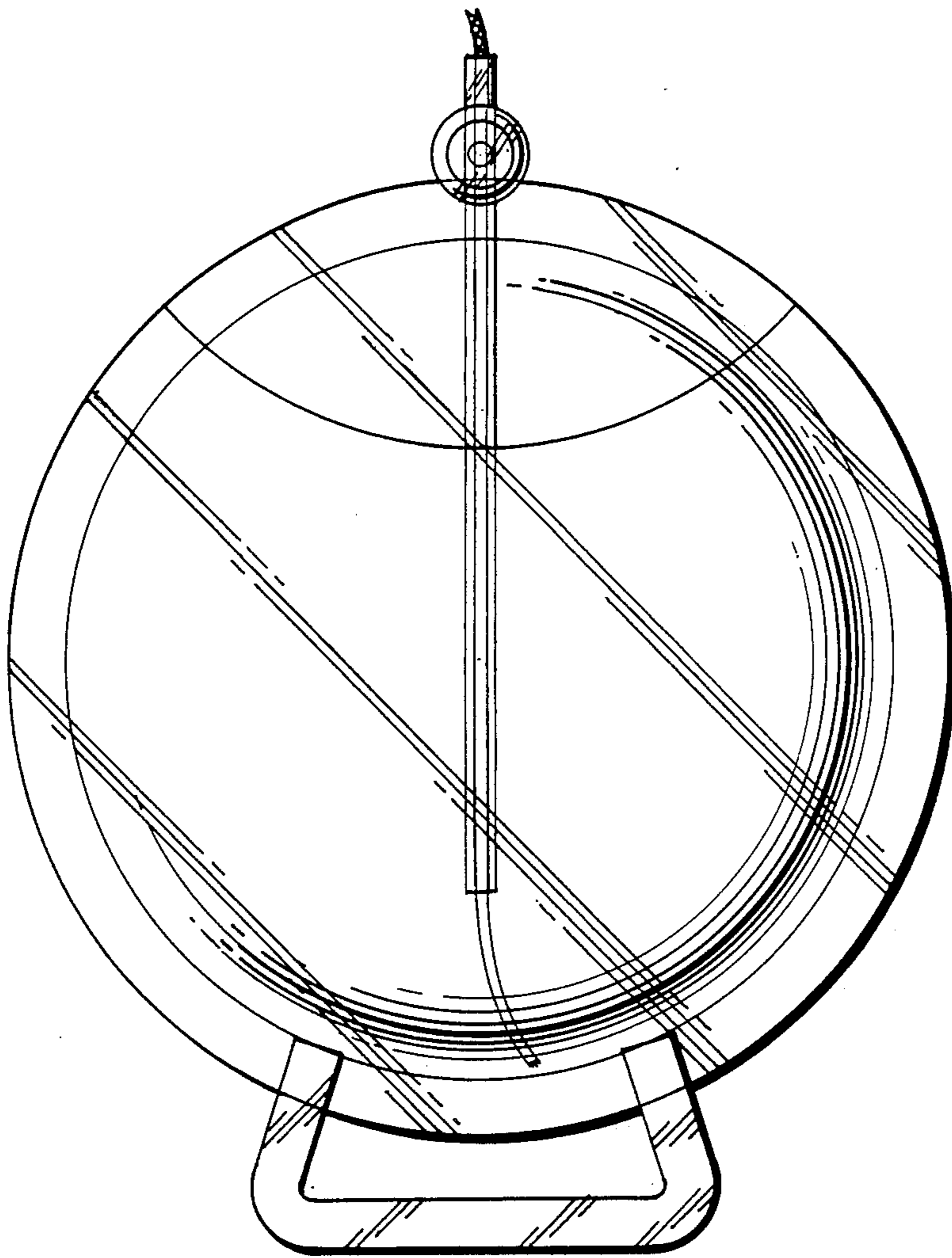


FIG. 10

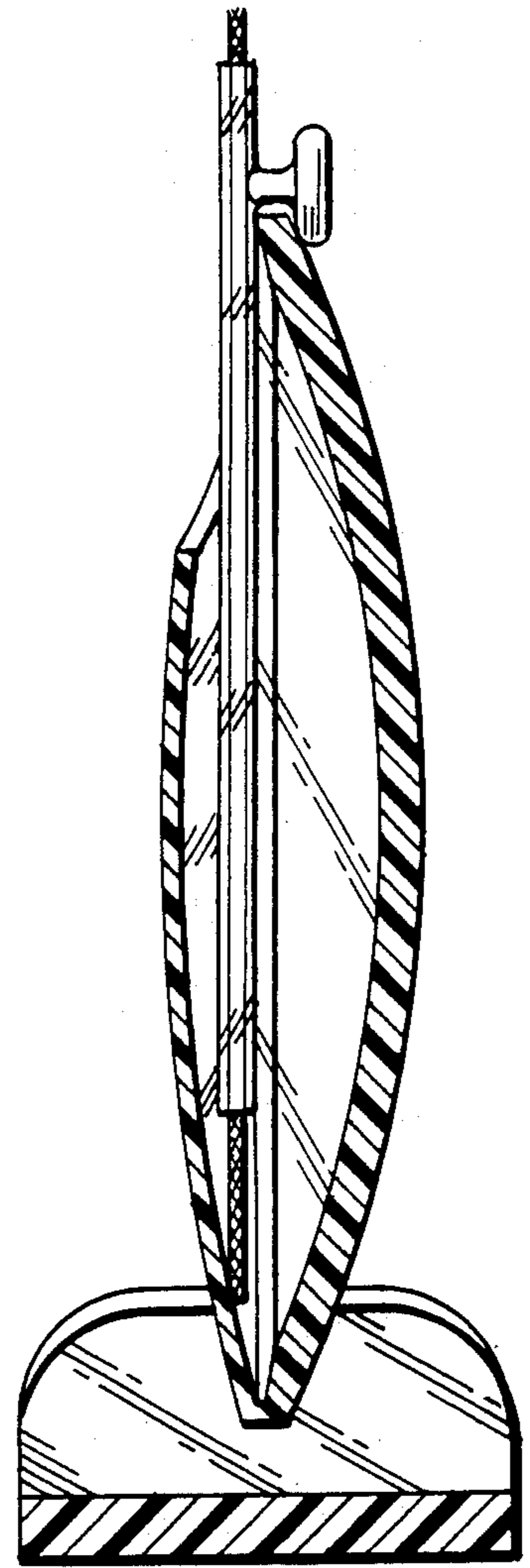


FIG. 11