

[54] CONTAINER

[75] Inventor: Charles Poirier, St-Damien, Canada

[73] Assignee: Les Industries Primitives Limitée,
St-Damien Bellechasse, Canada

[**] Term: 14 Years

[21] Appl. No.: 770,984

[22] Filed: Aug. 30, 1985

[52] U.S. Cl. D9/429; D9/351;
D9/396

[58] Field of Search D9/349, 350, 351, 352,
D9/355, 390, 399, 396, 425, 428, 429; 220/1 R,
1 BC, 91; 229/100, 6 R, 2.5 R, 4.5, 1.5 B, 1.5 R

[56] References Cited

U.S. PATENT DOCUMENTS

D. 219,265 11/1970 Churan D9/379 X

D. 276,139 10/1984 Rayner D9/352
D. 278,800 5/1985 Bowen et al. D9/352 X
D. 287,824 1/1987 Rayner D9/349 X
D. 287,825 1/1987 Rayner D9/349 X
3,804,289 4/1974 Churan D32/53 X

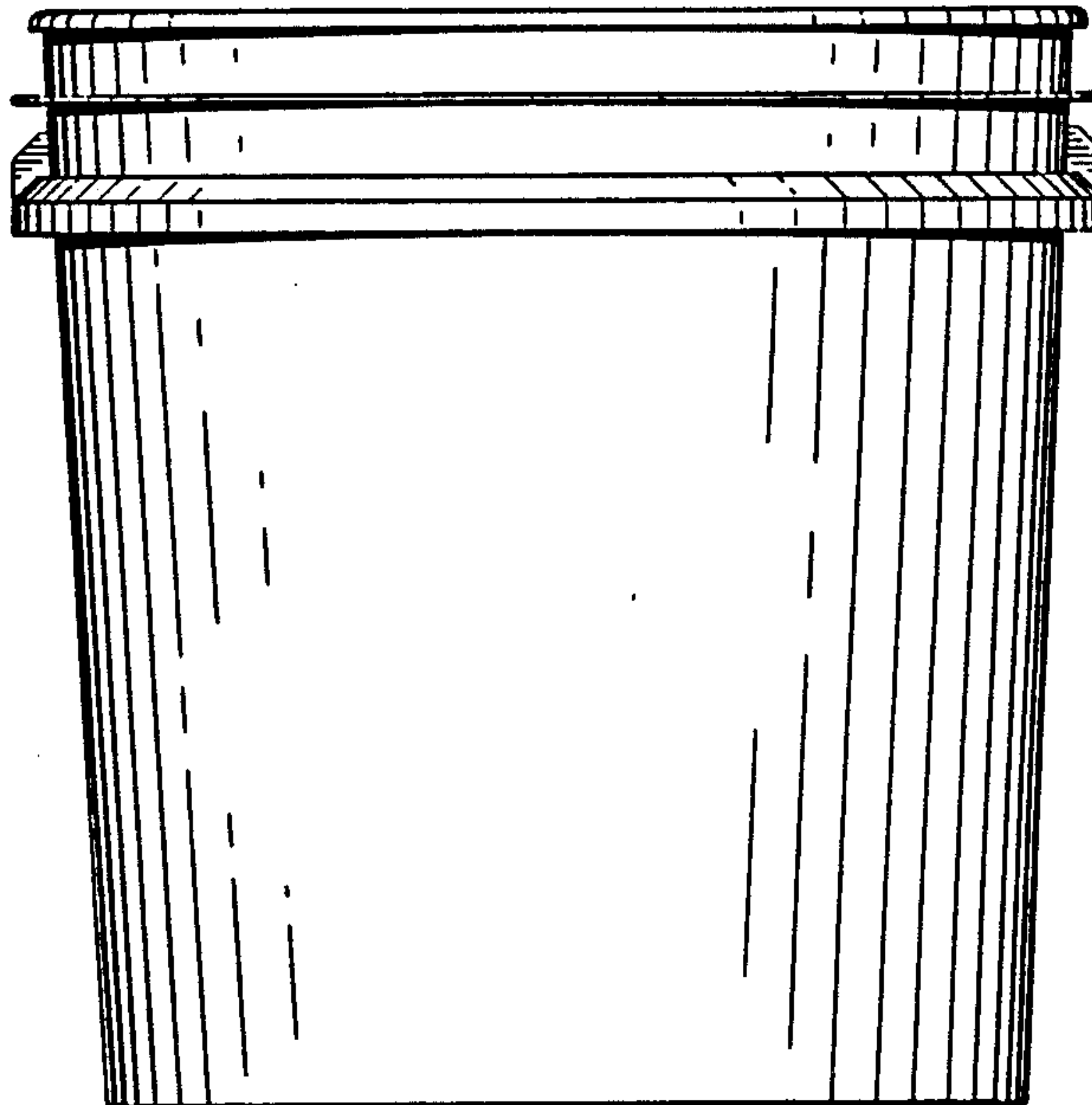
Primary Examiner—Robert C. Spangler
Attorney, Agent, or Firm—Jean H. Dubuc

[57] CLAIM

The ornamental design for a container, substantially as shown and described.

DESCRIPTION

FIG. 1 is a top, perspective view of a container showing my new design;
FIG. 2 is a side elevational view thereof;
FIG. 3 is a further side elevational view thereof, at 90° rotation from the view of FIG. 2;
FIG. 4 is a top plan view thereof; and
FIG. 5 is a bottom plan view thereof.



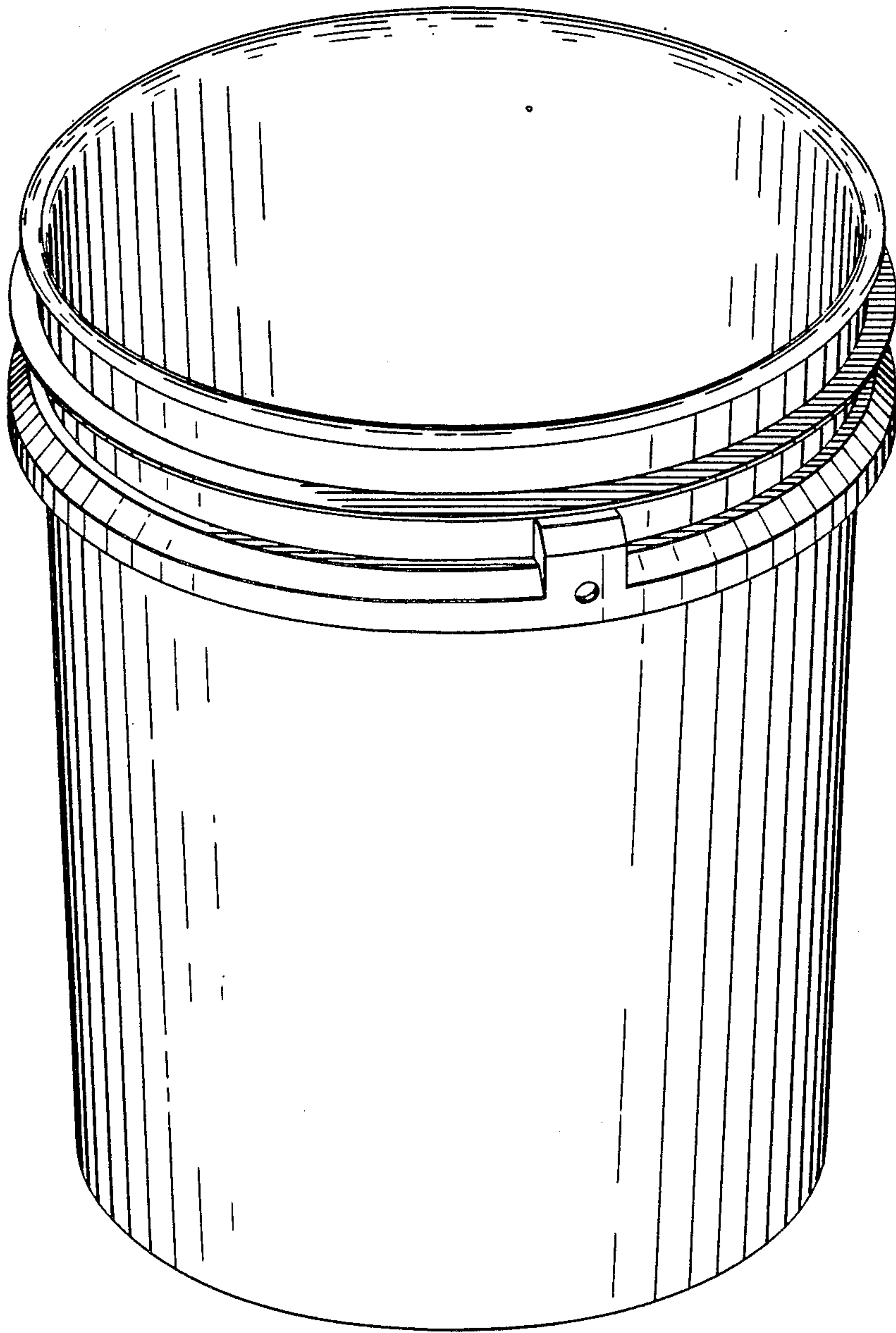


FIG. 1

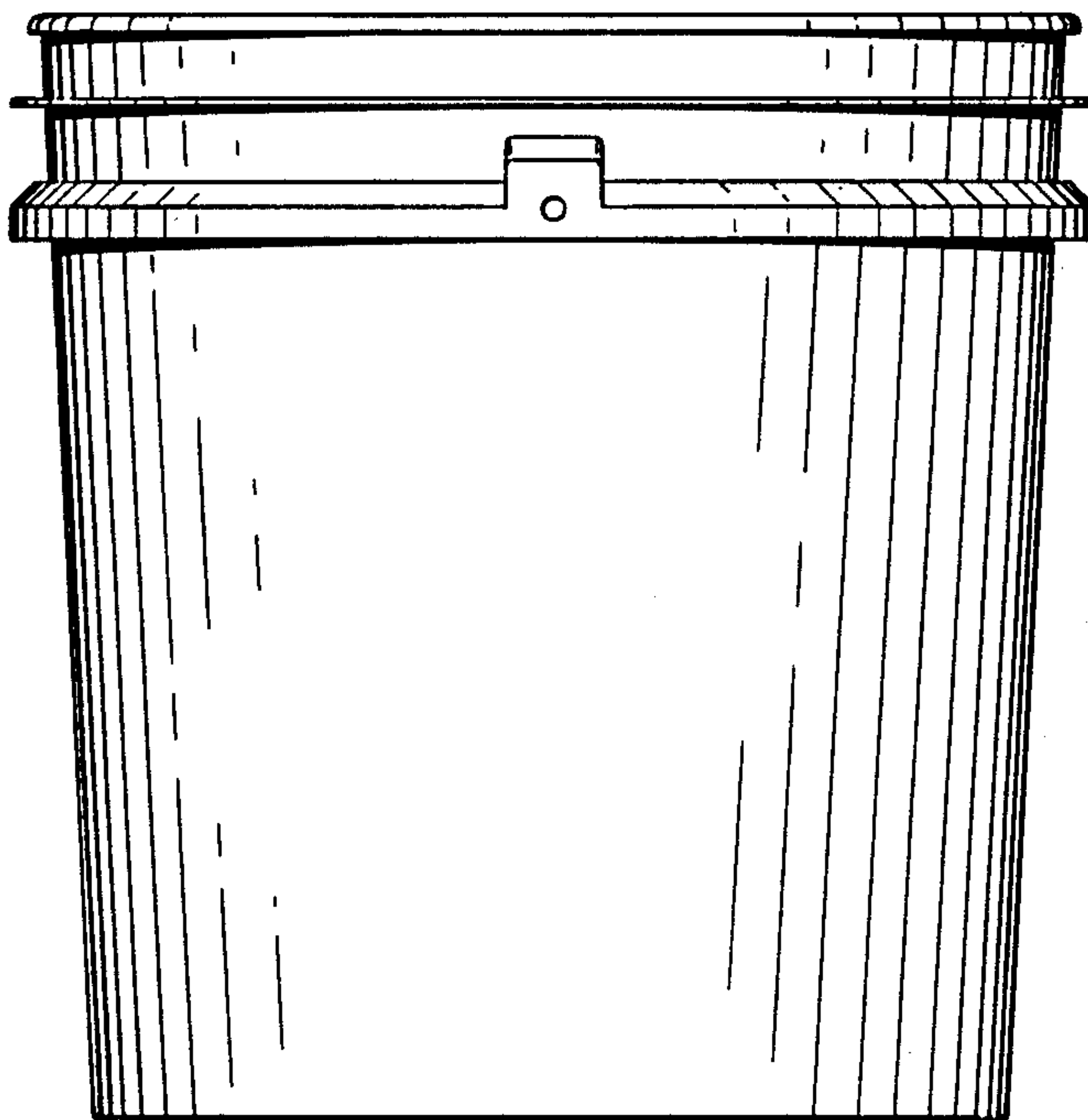


FIG. 2

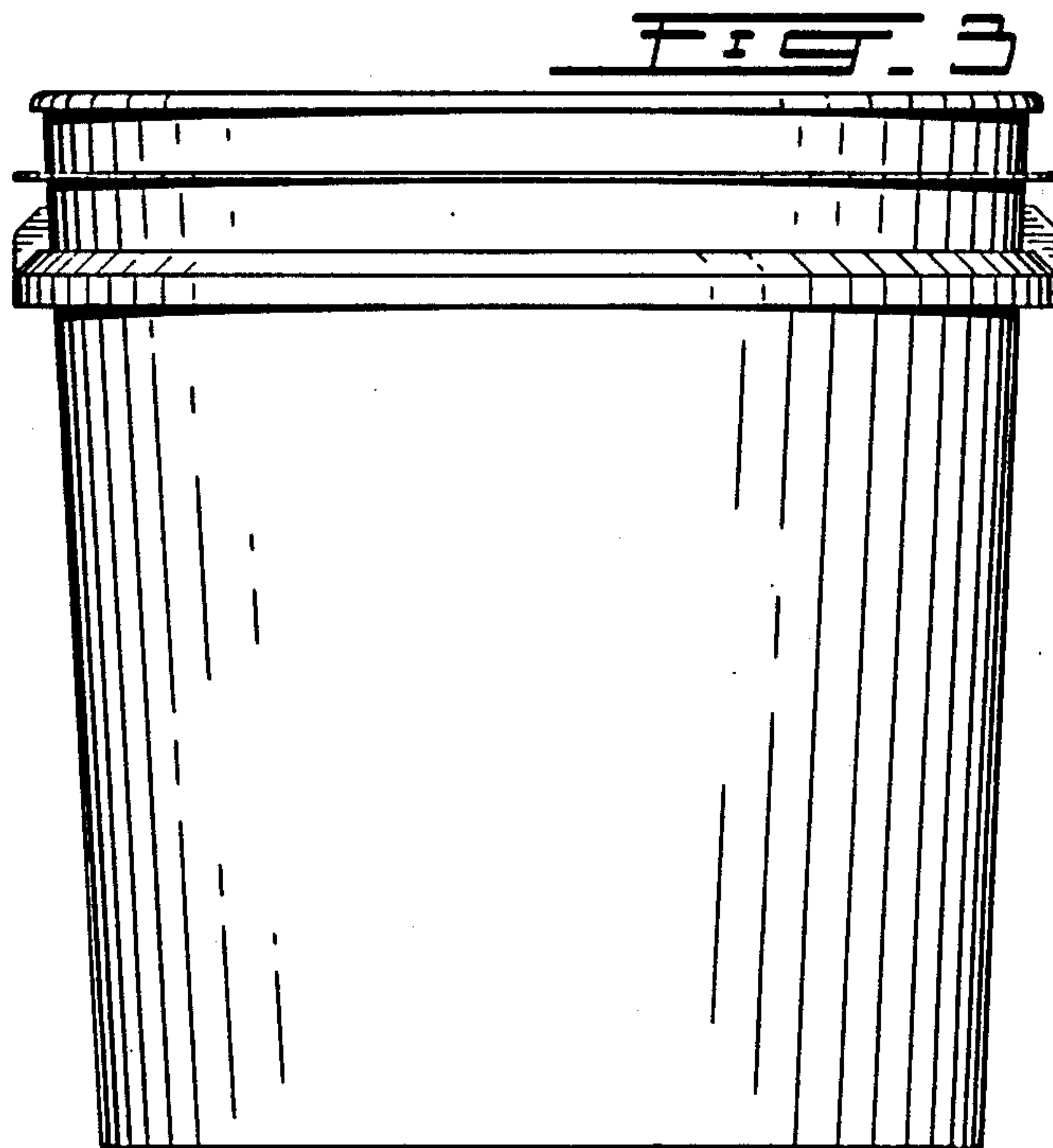


FIG. 3

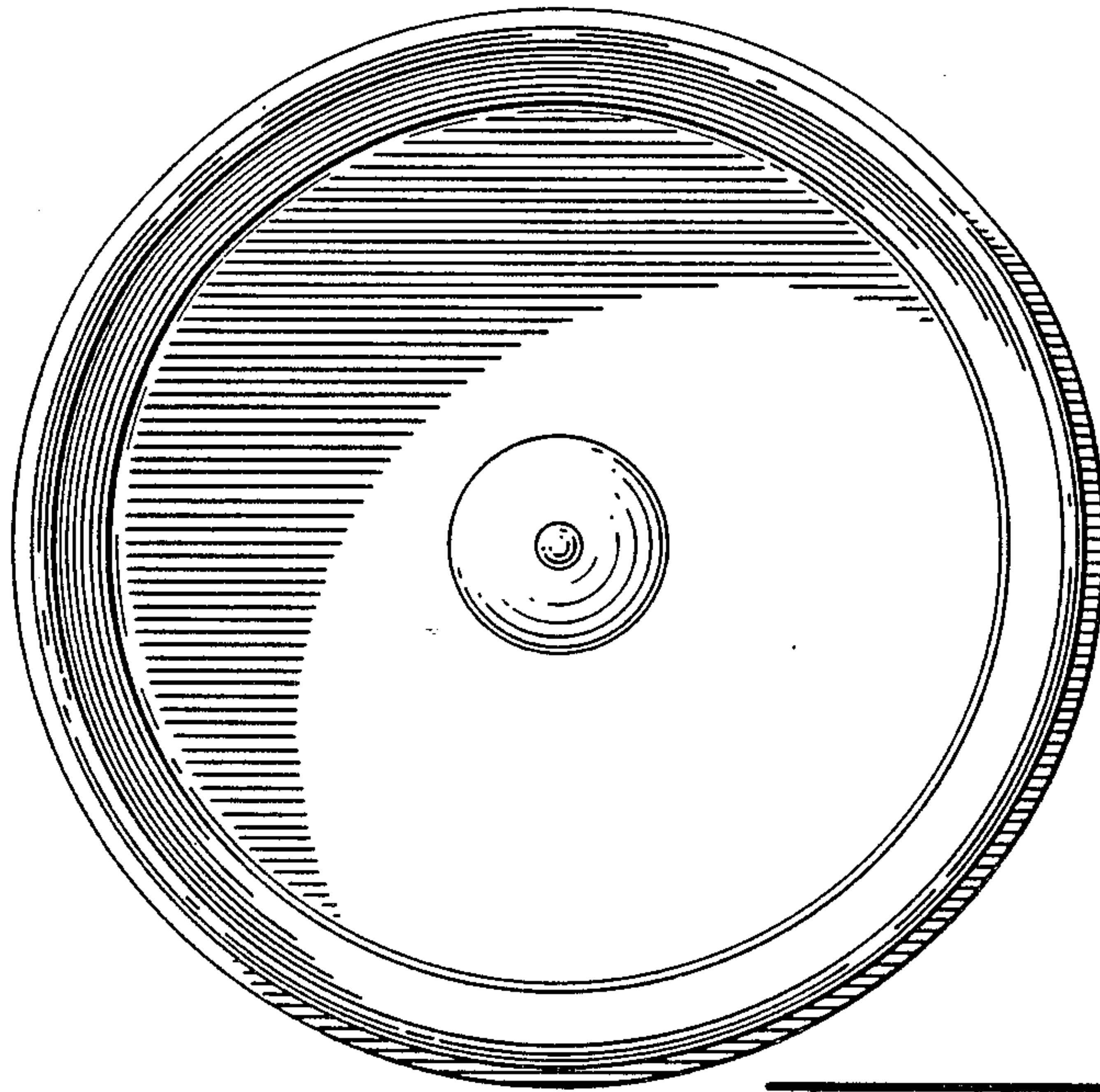


FIG. 4

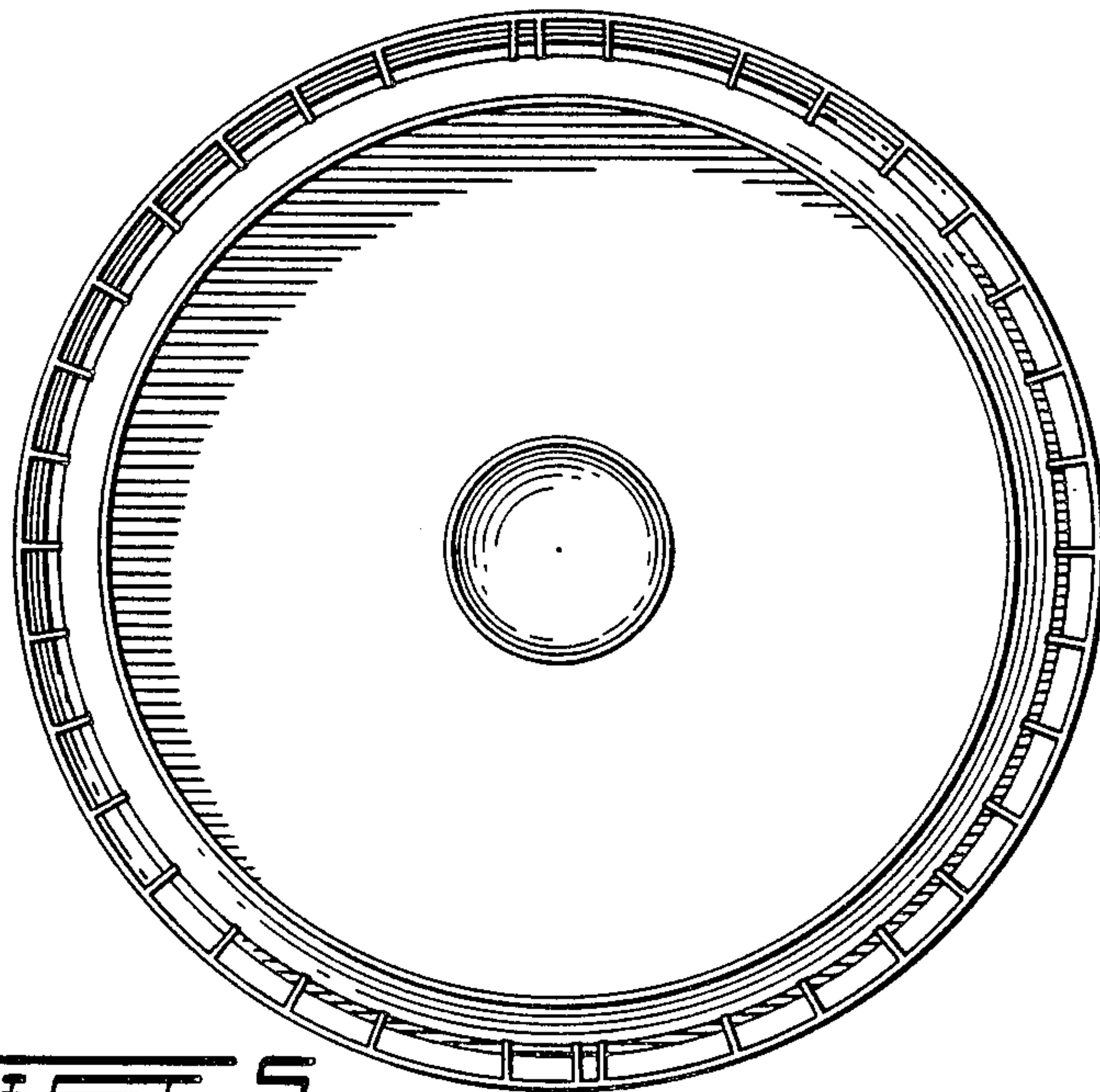


FIG. 5