

[54] SNAP HOOK

[75] Inventor: Kazumi Kasai, Namerikawa, Japan

[73] Assignee: Nippon Notion Kogyo Co., Ltd., Tokyo, Japan

[**] Term: 14 Years

[21] Appl. No.: 712,432

[22] Filed: Mar. 18, 1985

[30] Foreign Application Priority Data

Nov. 28, 1984 [JP] Japan 59-48926

[52] U.S. Cl. D8/382; D8/367

[58] Field of Search D8/367, 382; 294/82.1, 294/82.17, 82.19; 24/241 R, 256, 237

[56] References Cited

U.S. PATENT DOCUMENTS

- D. 26,279 11/1896 Hubbard D8/382
- D. 26,356 12/1896 Smith D8/382
- D. 281,222 11/1985 Faidide D8/382

349,003	9/1886	Quackenbush	24/236
871,979	11/1907	Baxter	24/236
3,261,636	7/1966	St. Pierre	294/82.1
3,430,307	3/1969	Burnham	294/82.19

Primary Examiner—B. J. Bullock
Attorney, Agent, or Firm—Hill, Van Santen, Steadman & Simpson

[57] CLAIM

The ornamental design for a snap hook, as shown.

DESCRIPTION

FIG. 1 is a front elevational view of a snap hook showing my new design;
 FIG. 2 is a rear elevational view thereof;
 FIG. 3 is a top plan view thereof;
 FIG. 4 is a bottom plan view thereof;
 FIG. 5 is a right side elevational view thereof, the left side being a mirror image;
 FIG. 6 is a sectional view taken in direction of arrows on line 6—6 of FIG. 1; and
 FIG. 7 is a sectional view taken in the direction of the arrows on line 7—7 of FIG. 1.

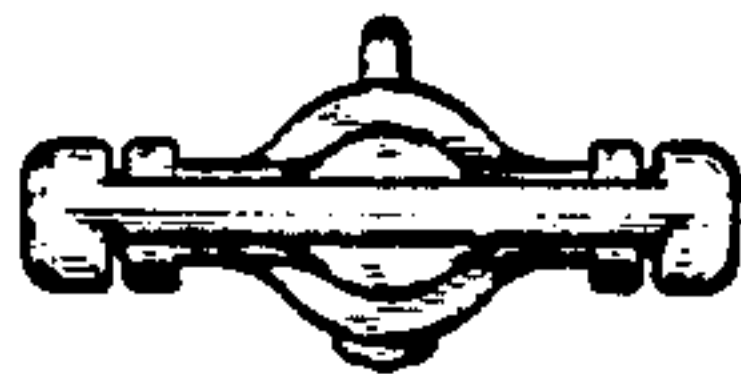
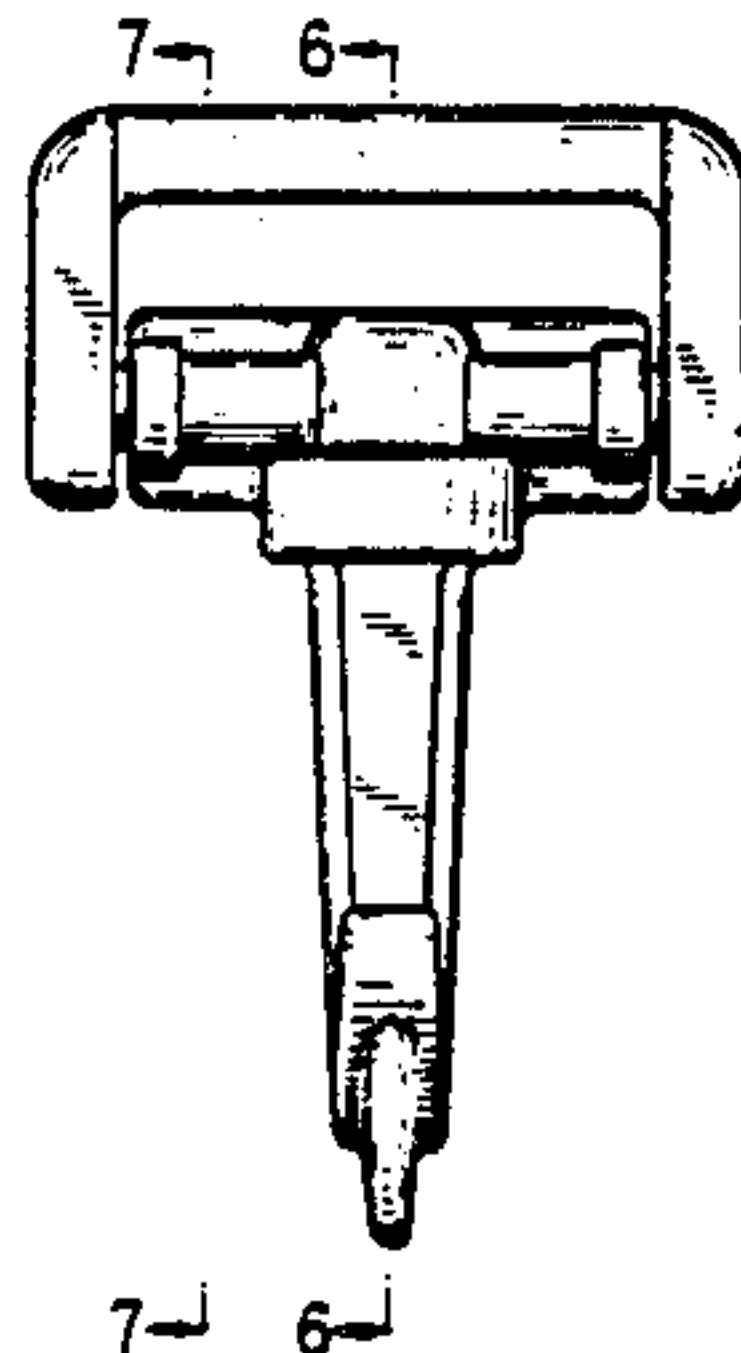


FIG. 1

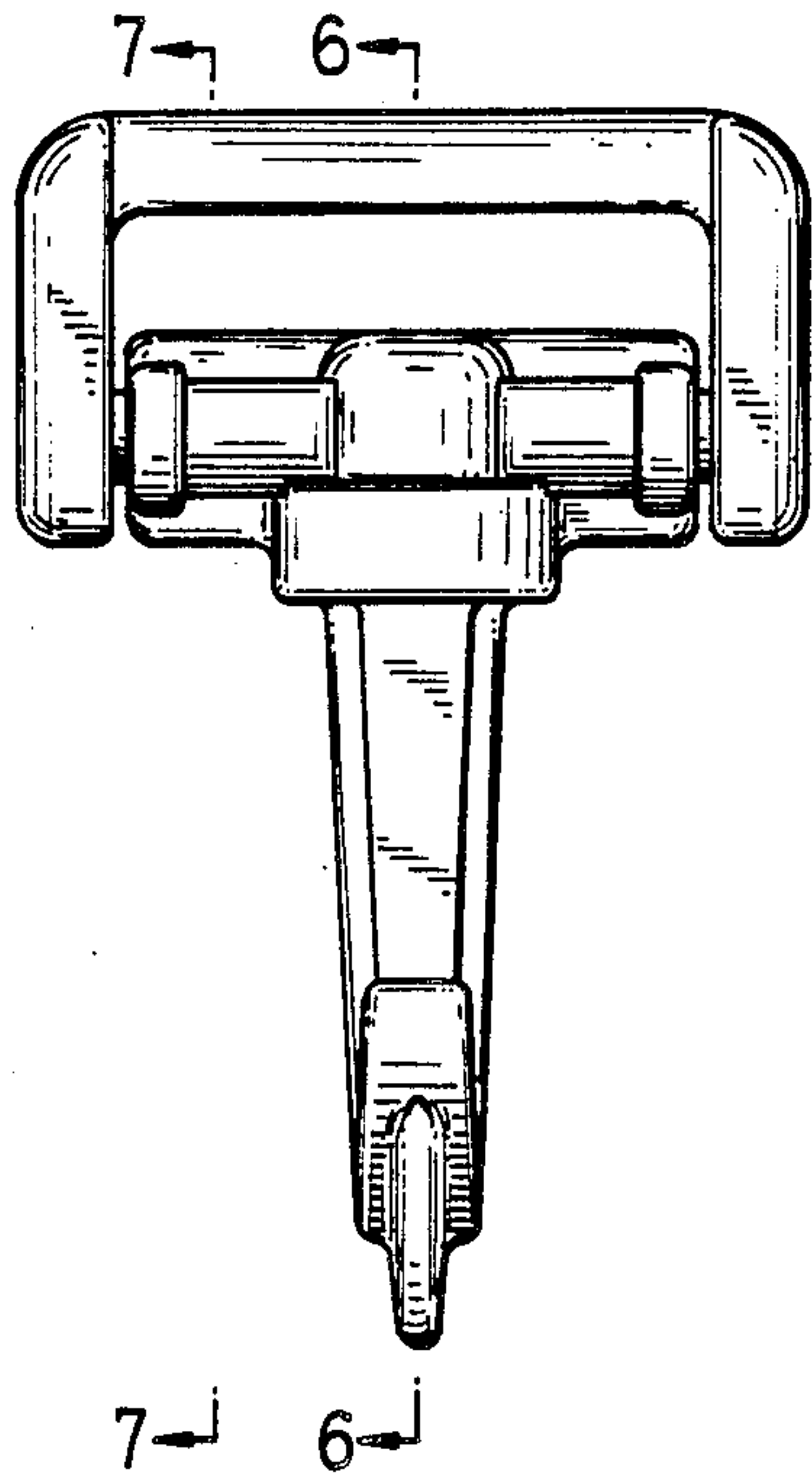


FIG. 2

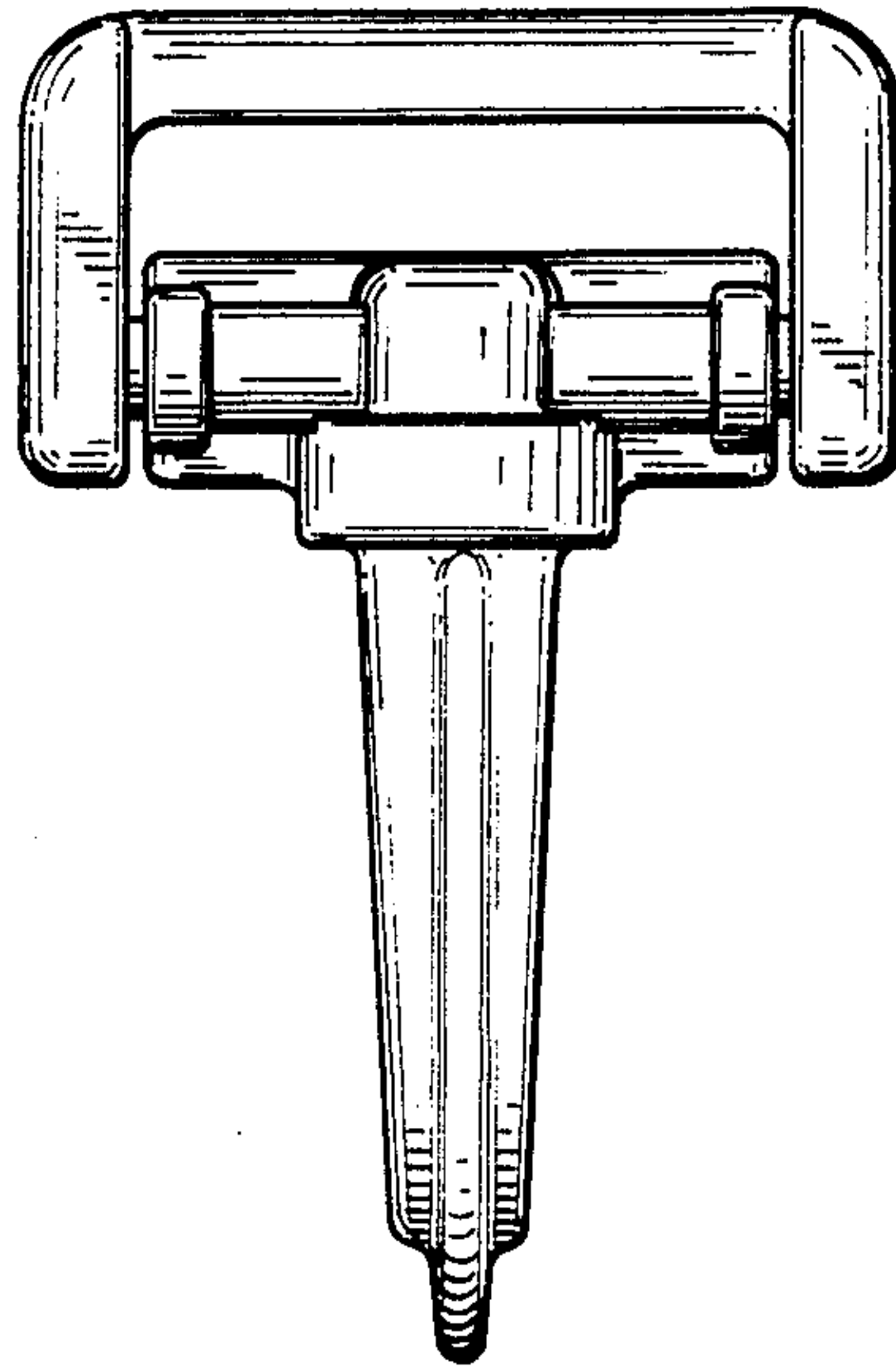


FIG. 3

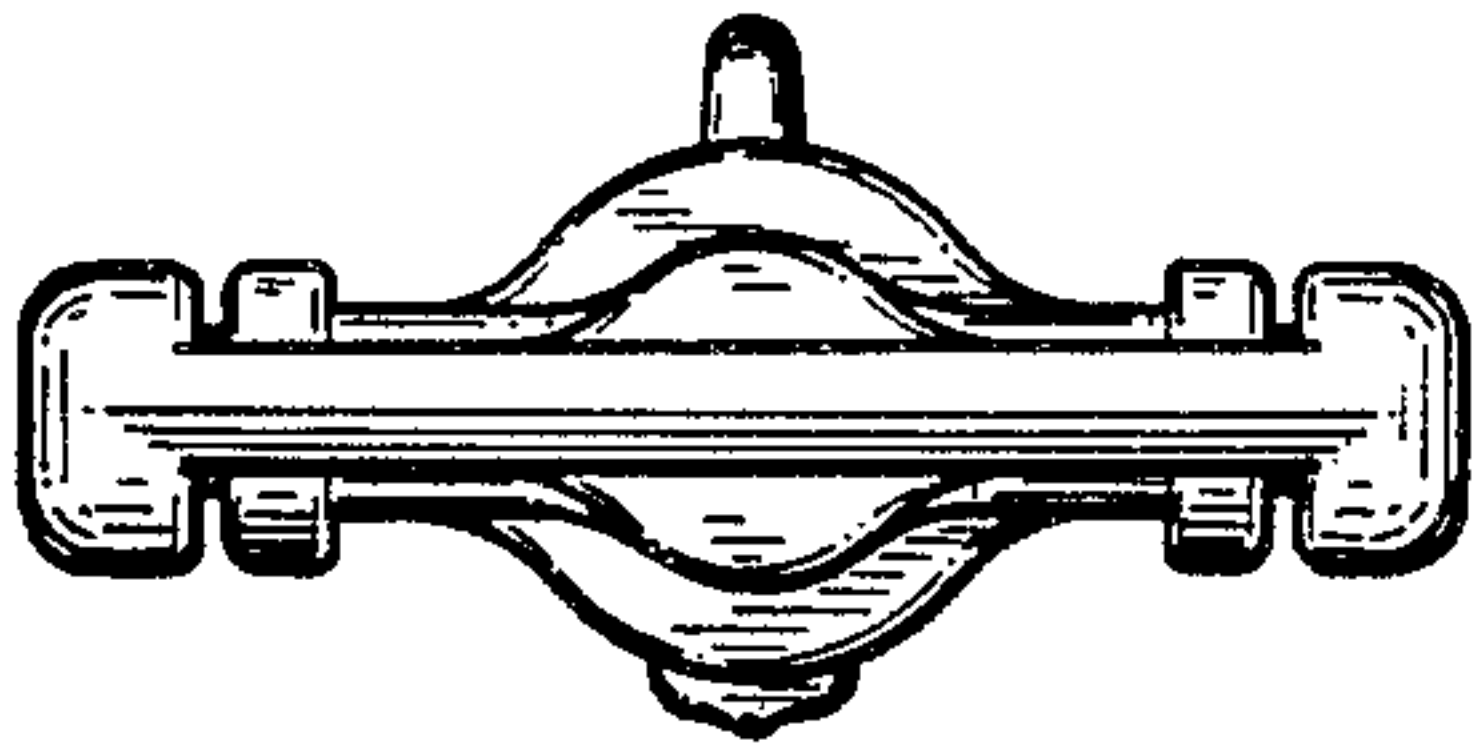


FIG. 4

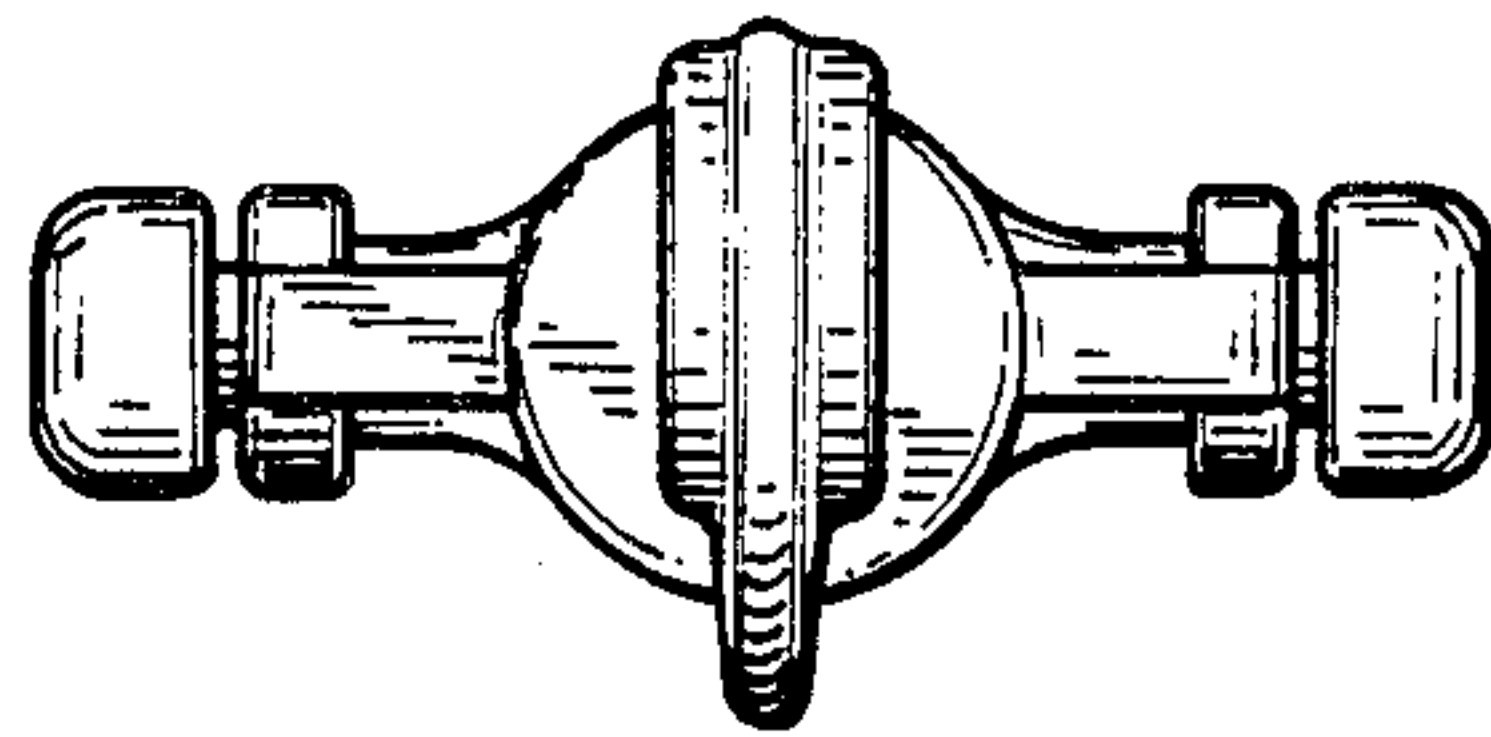


FIG. 5

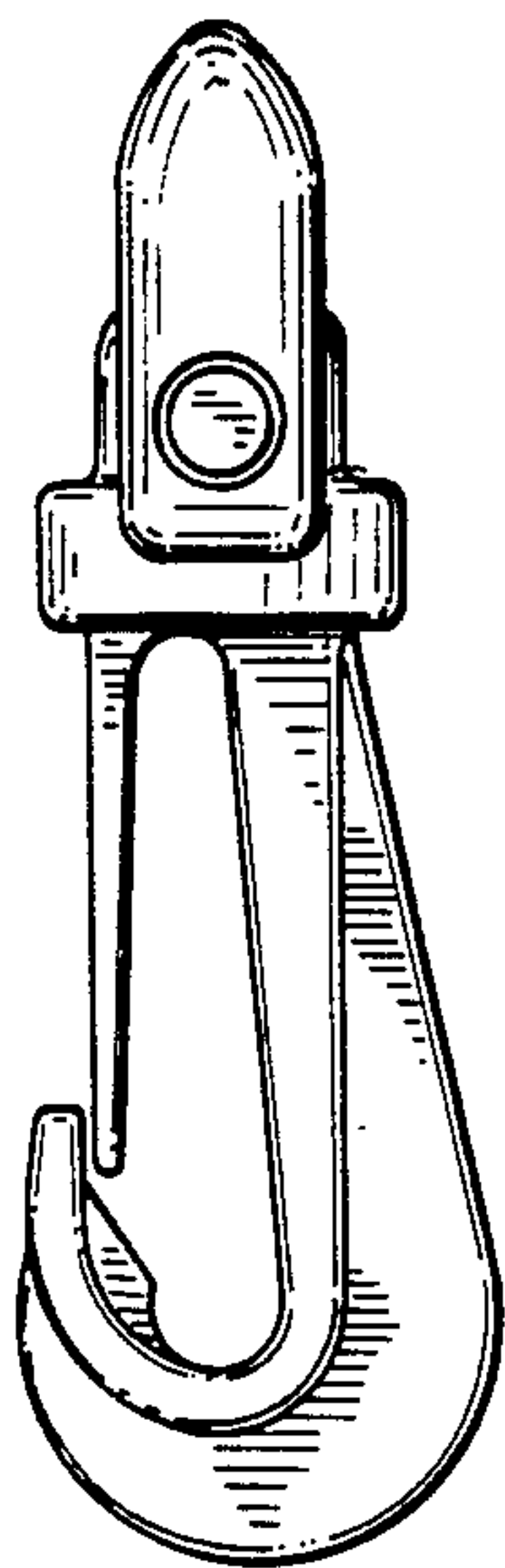


FIG. 6

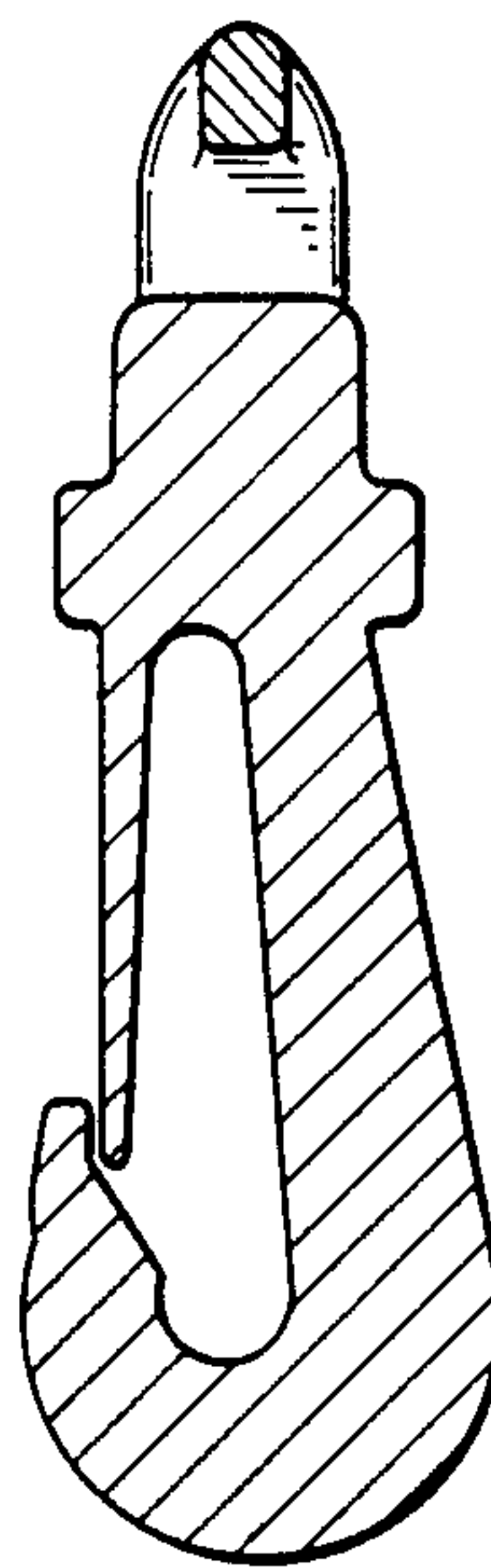


FIG. 7

