

[54] CIRCUIT BOARD SUPPORT

[75] Inventor: Royce W. Hill, Flippin, Ark.

[73] Assignee: Micro Plastics, Inc., Flippin, Ark.

[**] Term: 14 Years

[21] Appl. No.: 723,838

[22] Filed: Apr. 16, 1985

[52] U.S. Cl. D8/354; 174/138 D

[58] Field of Search D8/349, 354; 174/138 D;
24/305; D13/24, 99

[56] References Cited

U.S. PATENT DOCUMENTS

3,093,874	6/1963	Rapata	24/73
3,651,545	3/1972	Horn	174/138 D
3,764,729	10/1973	Kowalewski	174/138 D
3,777,052	12/1973	Fegen	174/138 D
3,909,883	10/1975	Fegen	24/73
3,996,500	12/1976	Coules	174/138 D
4,297,769	11/1981	Coules	174/138 D
4,627,760	12/1986	Yagi et al.	174/138 D

OTHER PUBLICATIONS

Richco Plastic Co. Catalog. at p. 20, Support Model SCBS-4N.

Richco Mfg. "Screw Fastened Circuit Board Support" p. 8, TCBS.

Primary Examiner—Wallace R. Burke

Assistant Examiner—Horace B. Fay

Attorney, Agent, or Firm—Stephen D. Carver

[57] CLAIM

The ornamental design for a circuit board support, as shown and described.

DESCRIPTION

FIG. 1 is a perspective view of a circuit board support showing my new design;

FIG. 2 is a side elevational view thereof, the side opposite being a mirror image;

FIG. 3 is a front elevational view thereof;

FIGS. 4 and 5 are respectively top and bottom plan views thereof;

FIGS. 6 and 7 are sectional views taken respectively along line 6—6 of FIG. 3 and line 7—7 of FIG. 1;

FIG. 8 is a sectional view taken along line 8—8 of FIG. 1; and

FIG. 9 is a rear elevational view thereof.

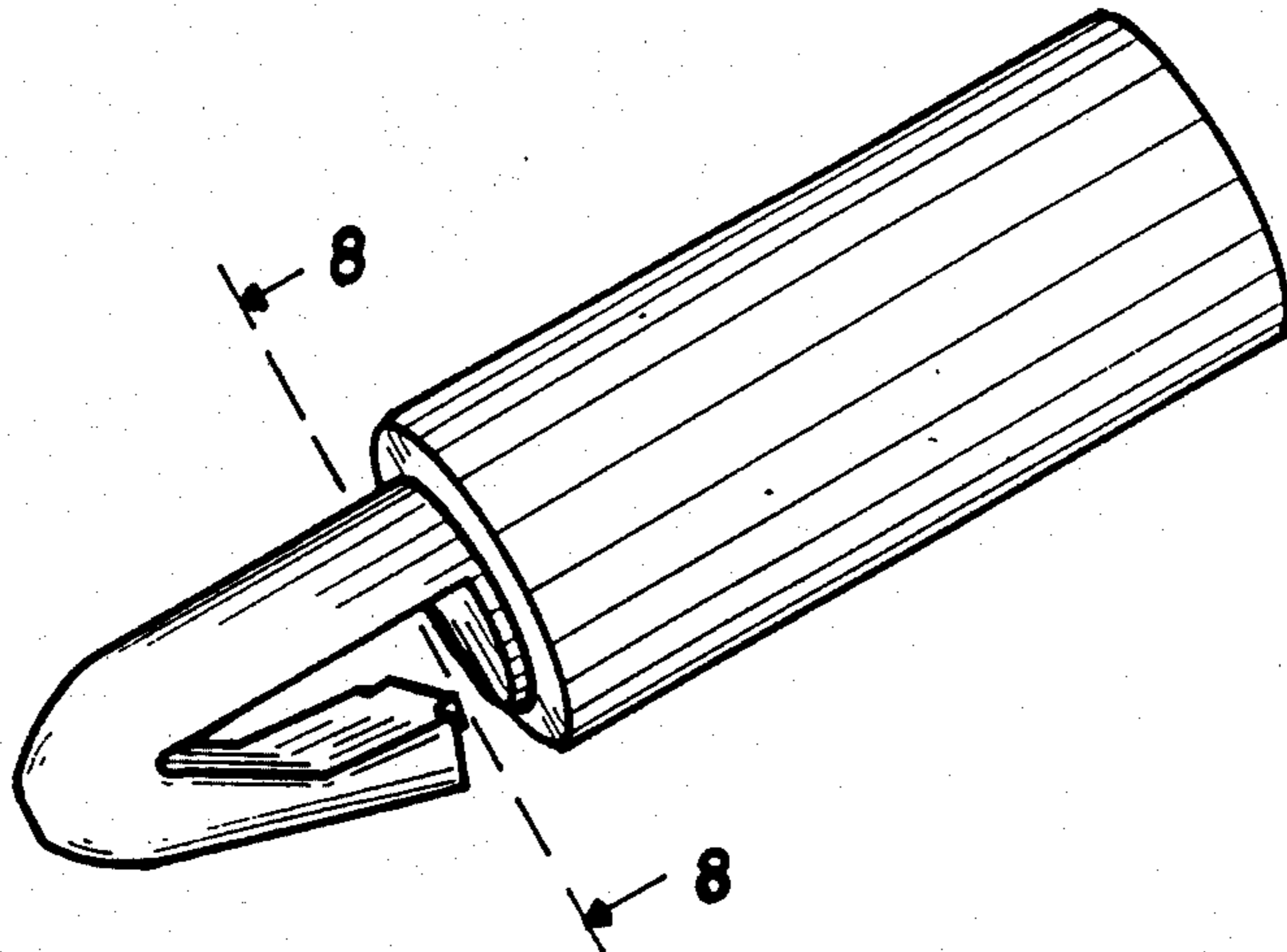


FIG. 1

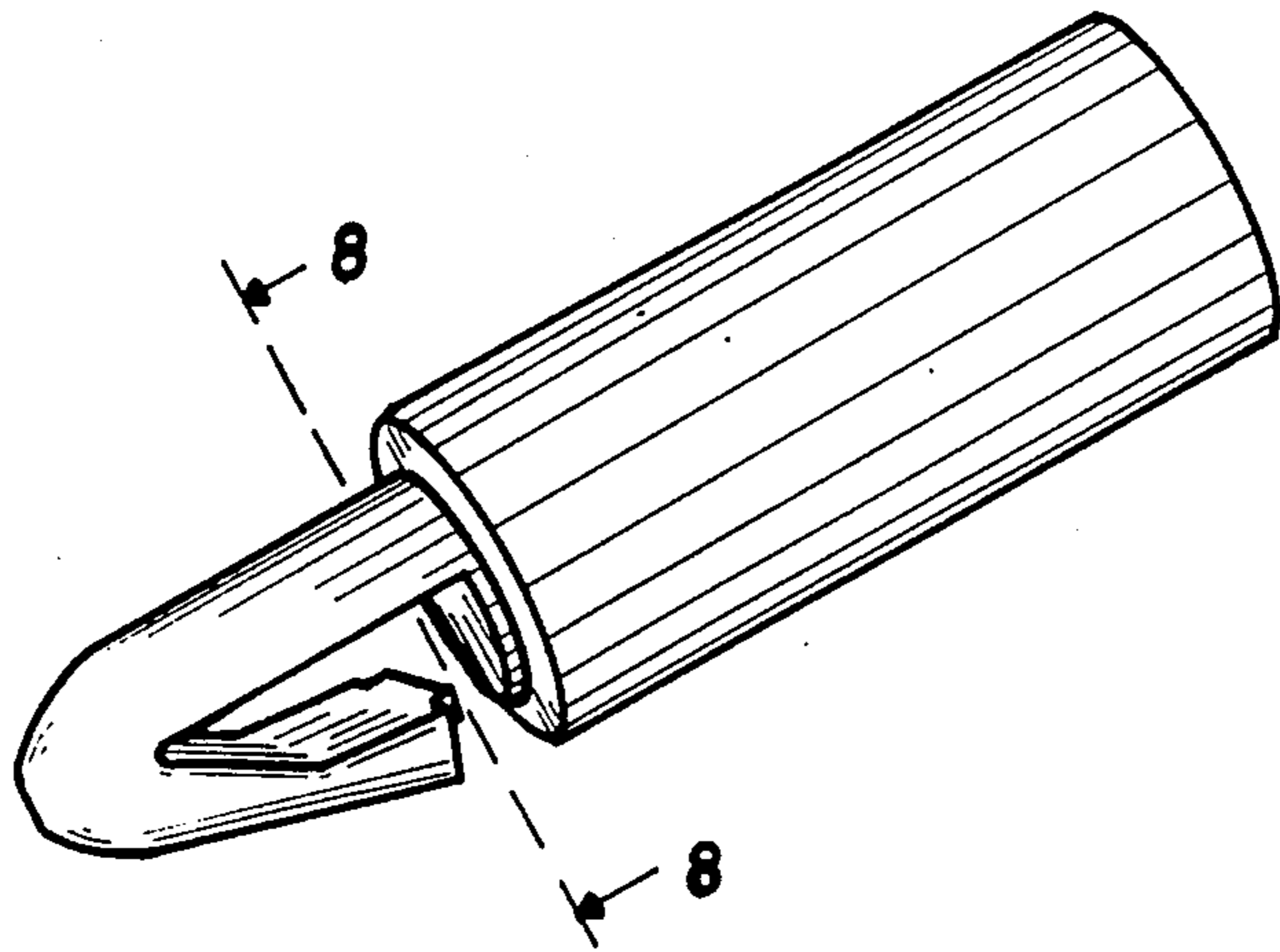


FIG. 3

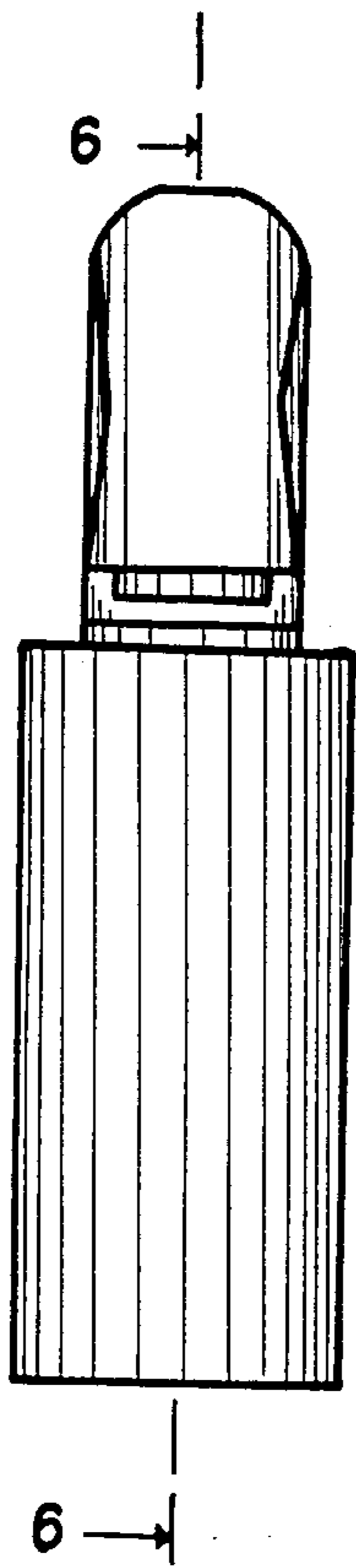


FIG. 2

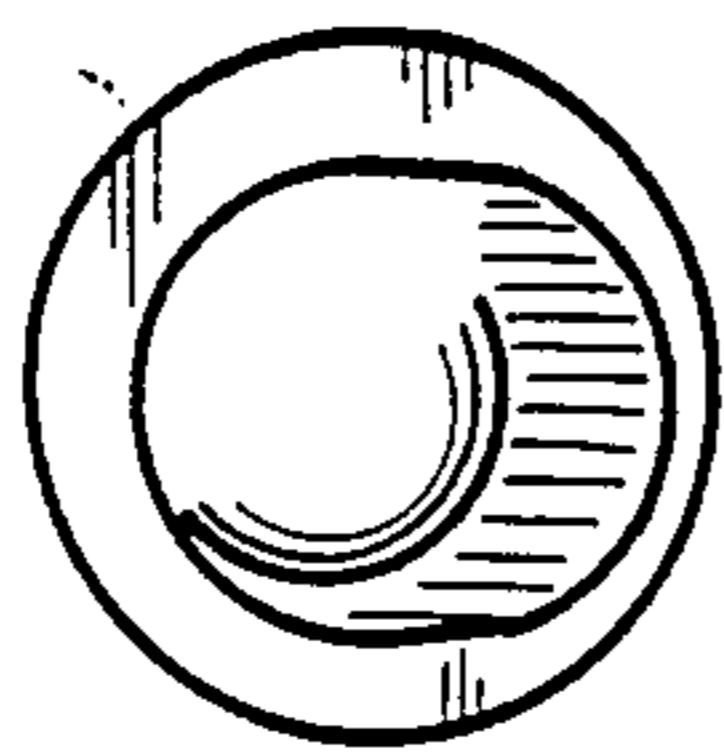
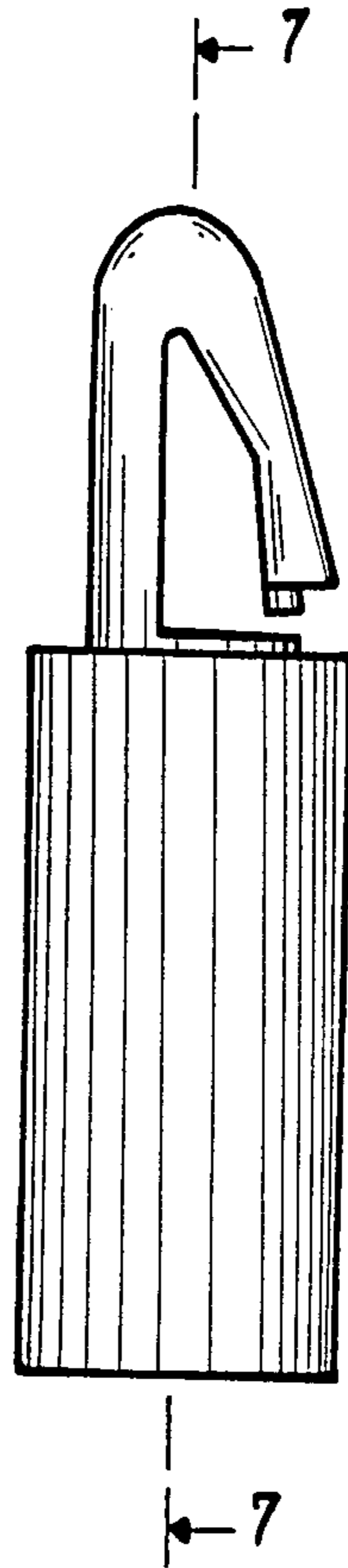


FIG. 4

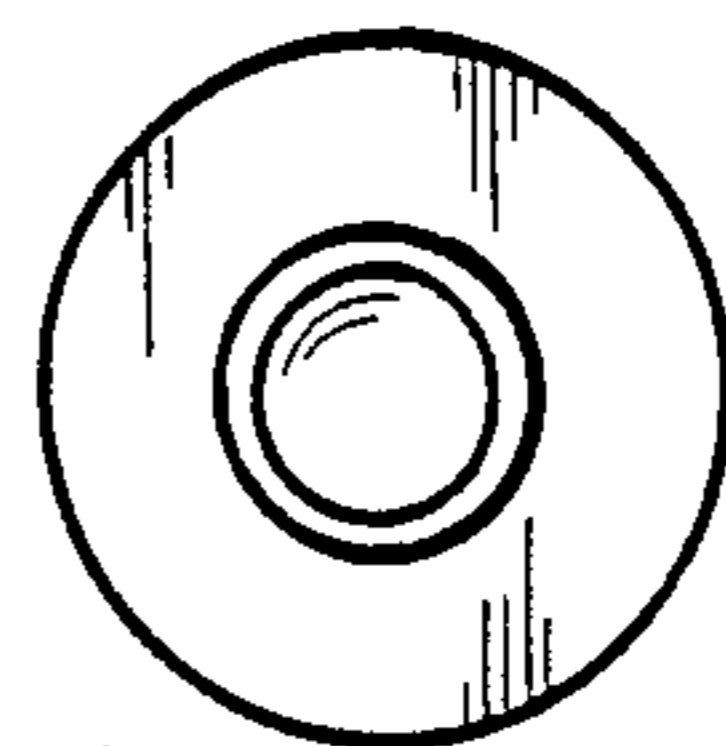


FIG. 5

FIG. 6

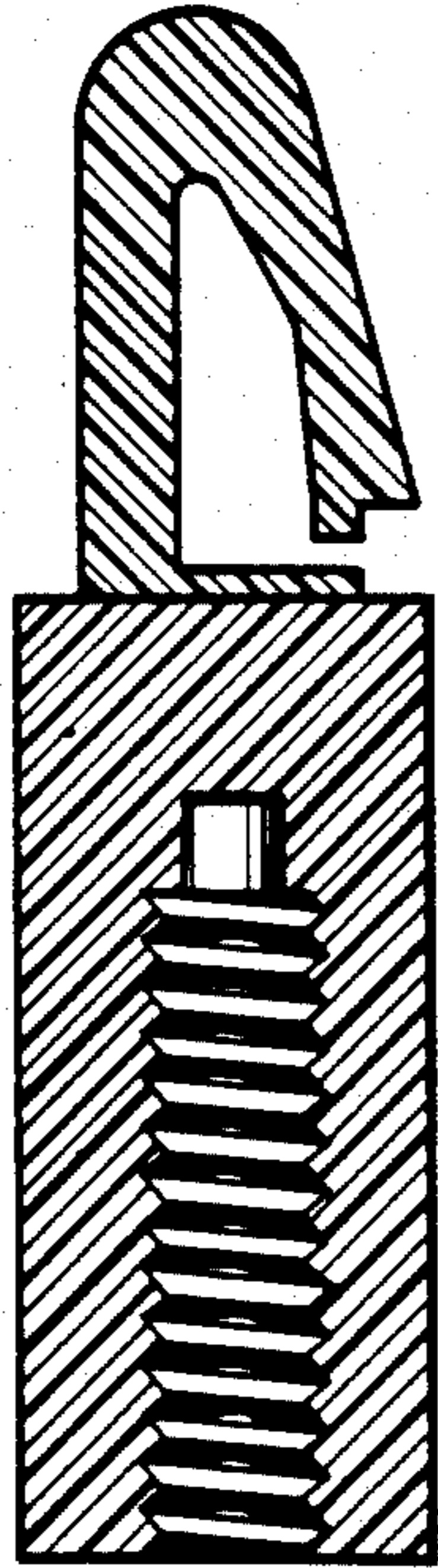


FIG. 8

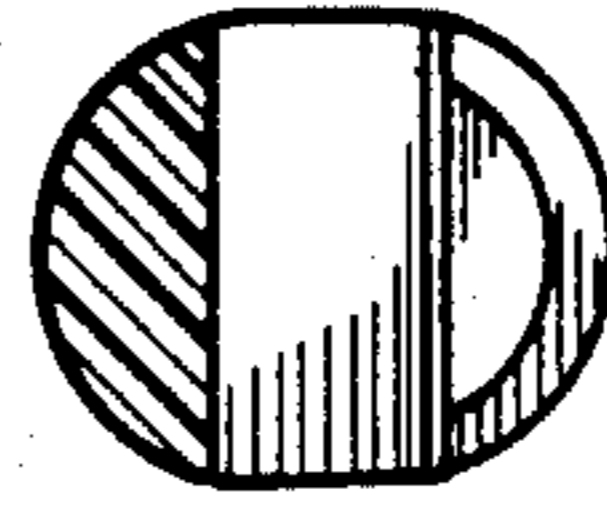


FIG. 7

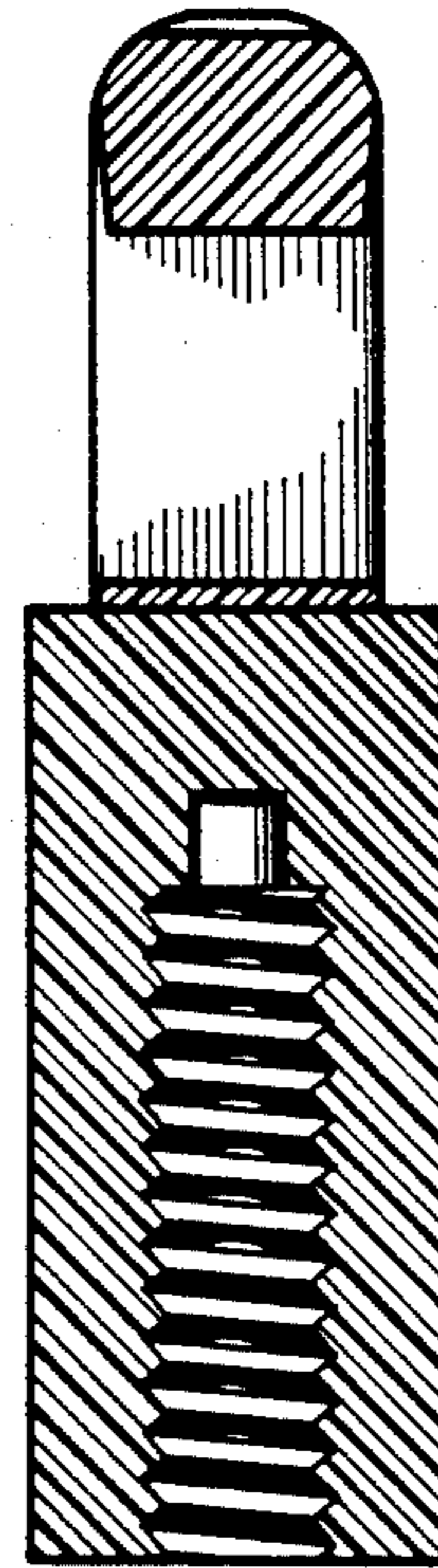


FIG. 9

