

United States Patent [19]

Lee

[11] Patent Number: Des. 296,296

[45] Date of Patent: ** Jun. 21, 1988

[54] RATCHET SCREWDRIVER HANDLE

[75] Inventor: Peter K. C. Lee, Kowloon, Hong Kong

[73] Assignee: Hip Shing Fat Company, Ltd., Kowloon, Hong Kong

[**] Term: 14 Years

[21] Appl. No.: 834,837

[22] Filed: Feb. 21, 1986

[30] Foreign Application Priority Data

Aug. 29, 1985 [GB] United Kingdom 1028876

[52] U.S. Cl. D8/83; D8/107

[58] Field of Search D8/14, 82-83, D8/105-107; 81/177.1, 177.7, 54, 57.11; 145/61 L; 173/163, 169-170; 408/124

[56] References Cited

U.S. PATENT DOCUMENTS

D. 113,158 1/1939 Cashmore D8/82

D. 260,599 9/1981 Wong D8/83 X

D. 278,971 5/1985 Smith et al. D8/68 X

3,080,900 3/1963 Rosenberg 81/177.1 X

OTHER PUBLICATIONS

Hardware Age, May 1959, p. 21 "Power-Egg Ratchet Screw Driver".

Primary Examiner—Wallace R. Burke

Assistant Examiner—Brian N. Vinson

Attorney, Agent, or Firm—Wenderoth, Lind & Ponack

[57] CLAIM

The ornamental design for a ratchet screwdriver handle, as shown.

DESCRIPTION

FIG. 1 is a right side elevational view of the ratchet screwdriver handle of my invention;

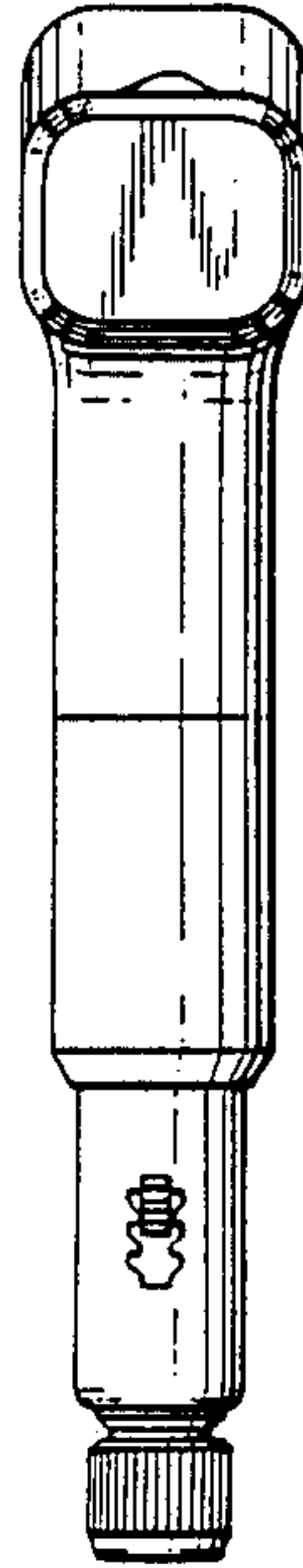
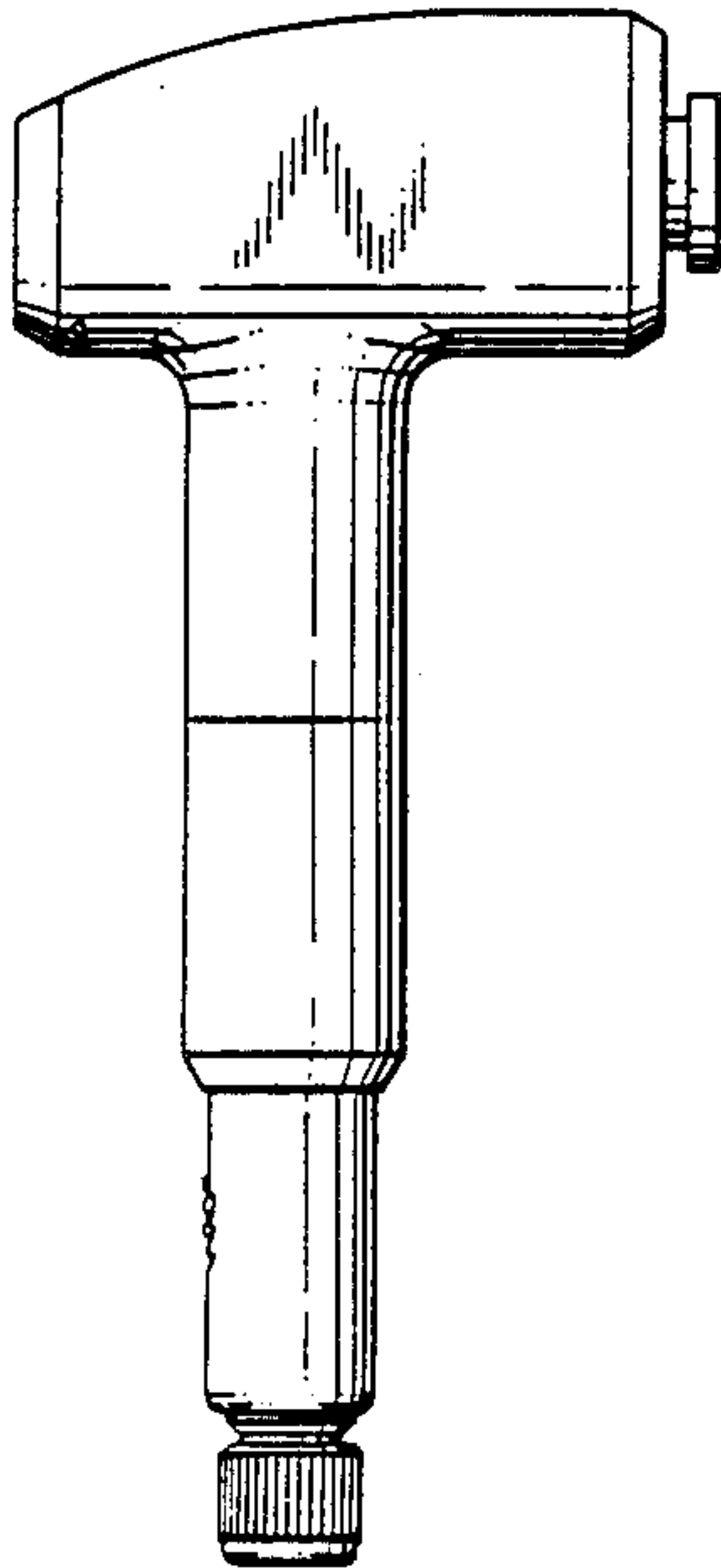
FIG. 2 is a front elevational view thereof;

FIG. 3 is a top plan view thereof;

FIG. 4 is a left side elevational view thereof;

FIG. 5 is a rear elevational view thereof; and

FIG. 6 is a bottom plan view thereof.



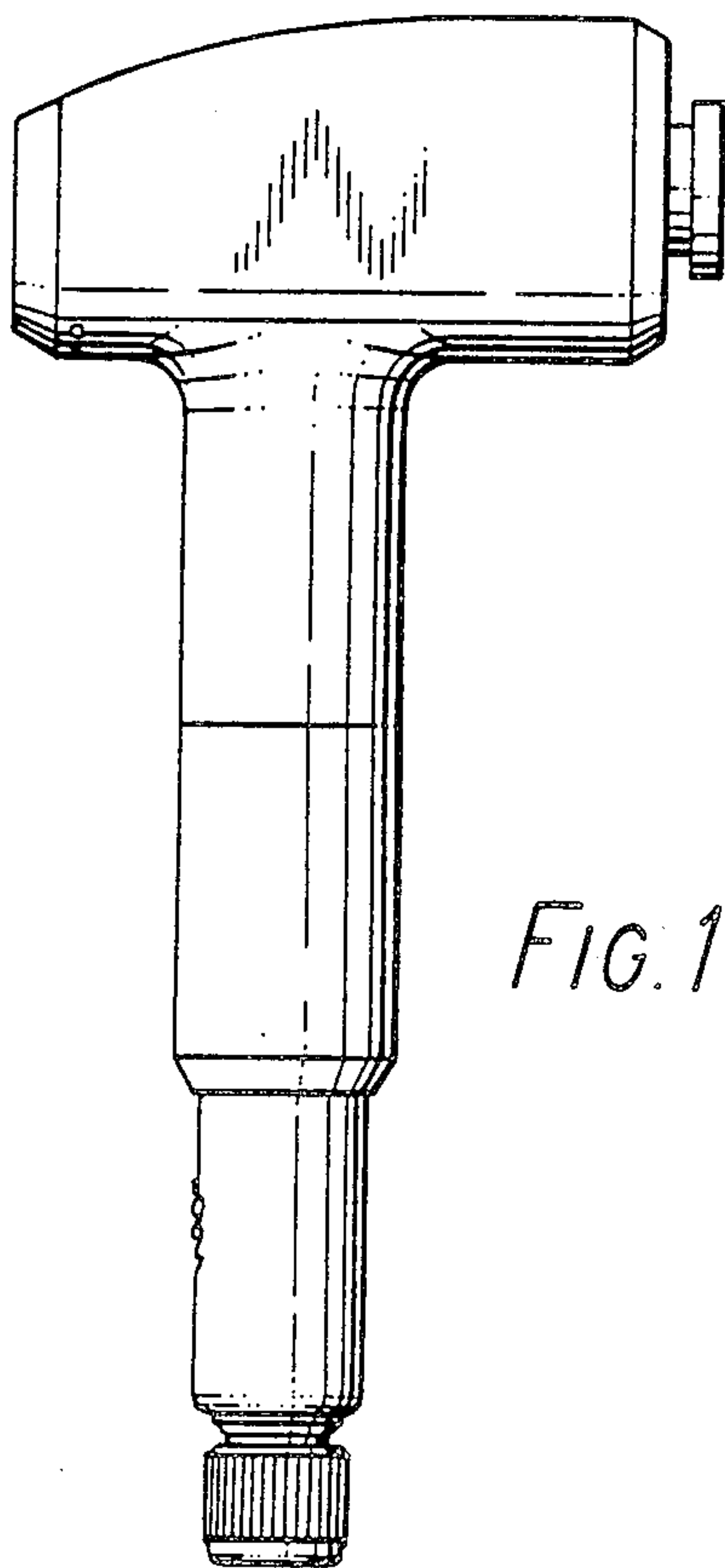


FIG. 1

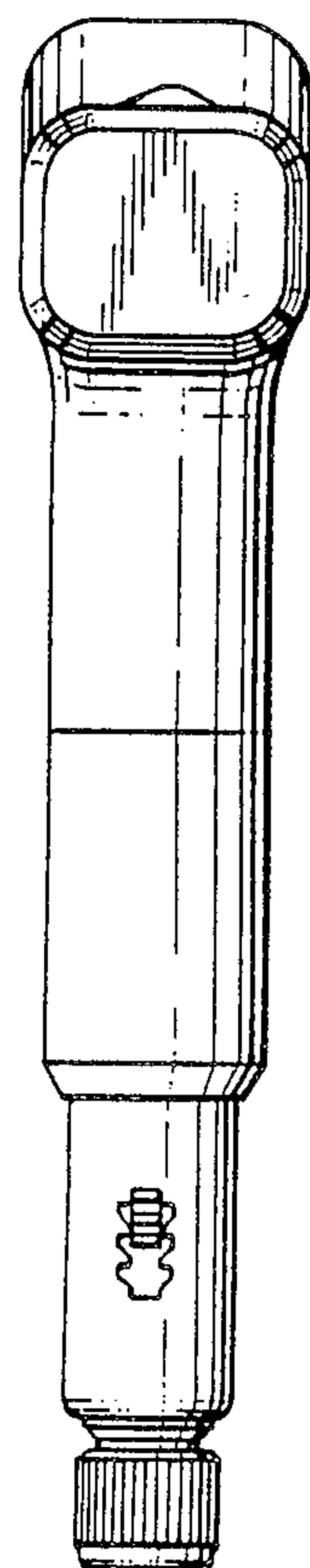


FIG. 2

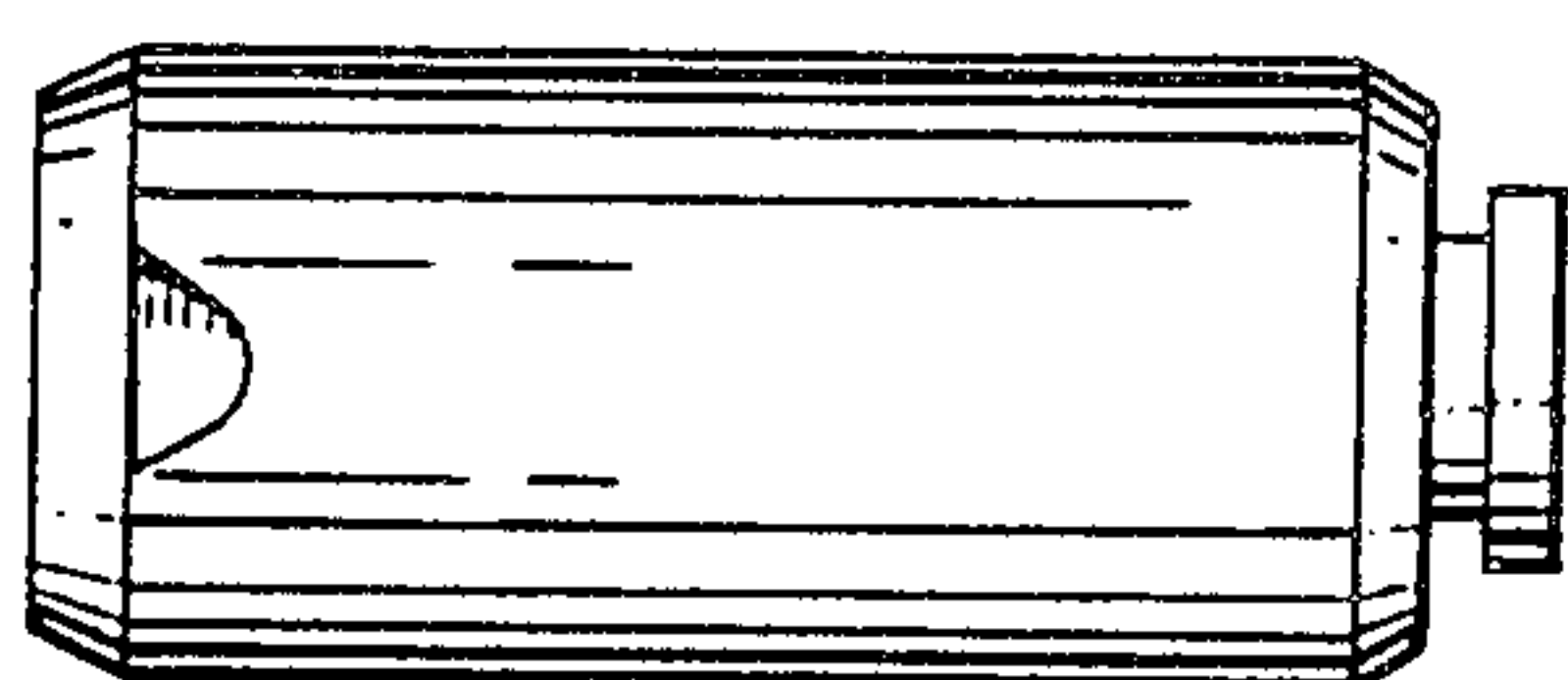


FIG. 3

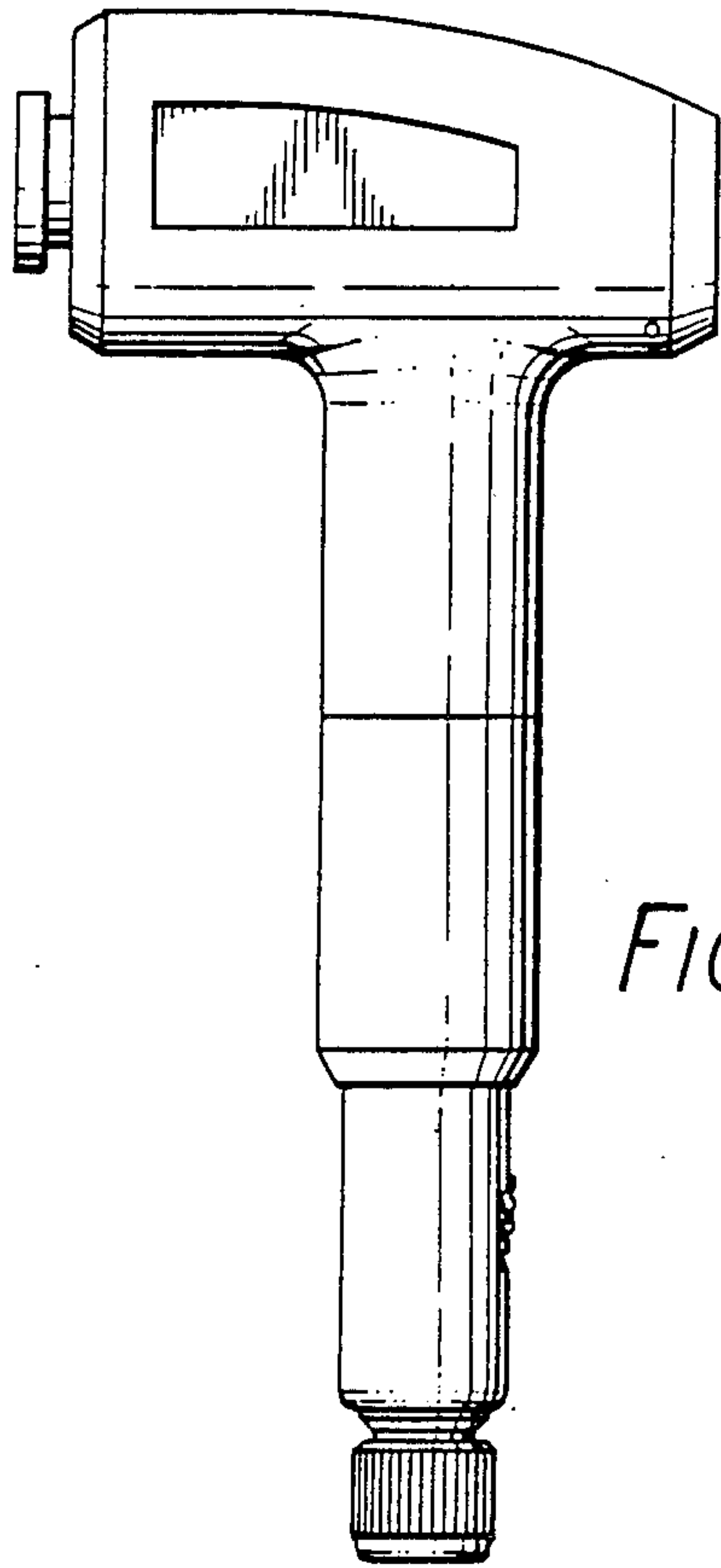


FIG. 4

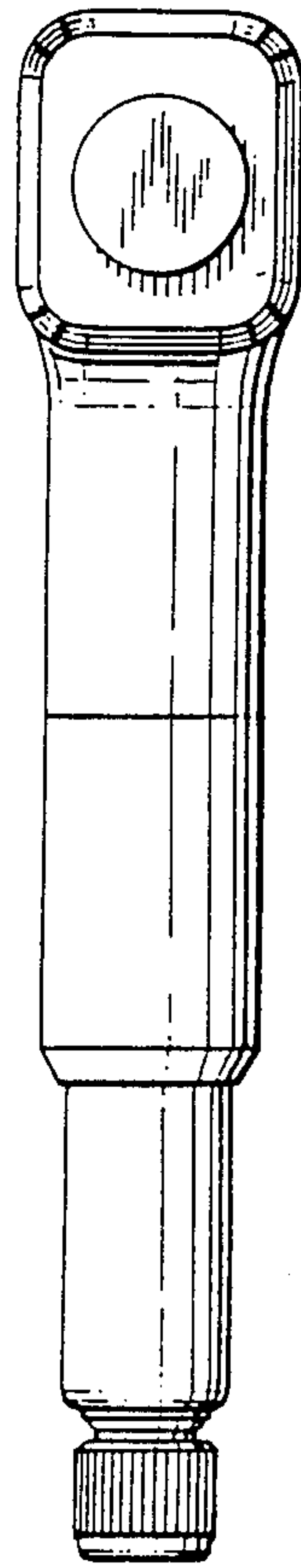


FIG. 5

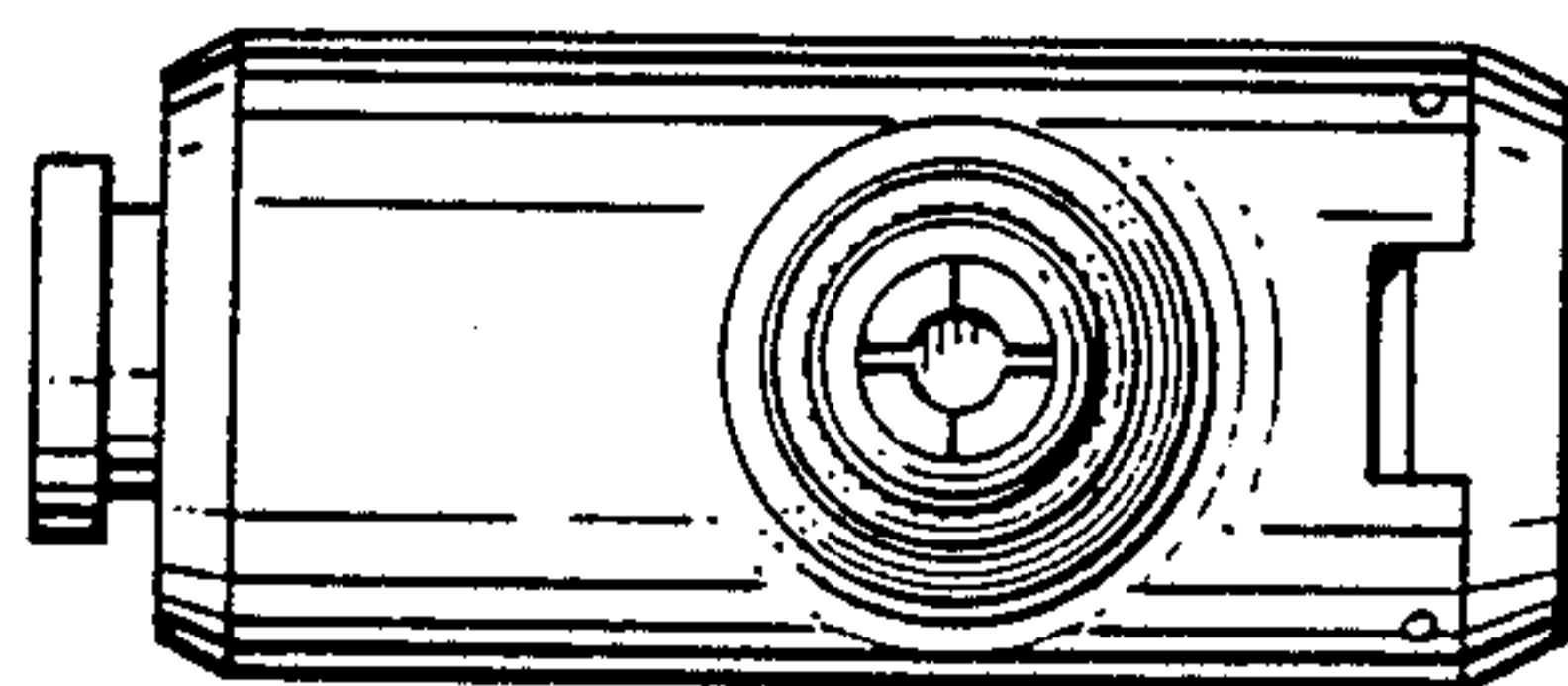


FIG. 6