

[54] CONCRETE TROWEL

[57] CLAIM

[76] Inventor: Roy M. Neece, Rte. 9, Box 289V,
Saginaw, Tex. 76179

The ornamental design for a concrete trowel, as shown
and described.

[**] Term: 14 Years

DESCRIPTION

[21] Appl. No.: 720,866

FIG. 1 is a perspective view of a concrete trowel, showing
my new design;

[22] Filed: Apr. 8, 1985

FIG. 2 is a top plan view thereof;

[52] U.S. Cl. D8/45

FIG. 3 is a left side elevational view thereof;

[58] Field of Search D8/45; 15/235.3

FIG. 4 is a bottom plan view thereof;

FIG. 5 is a right side elevational view thereof;

[56] References Cited

U.S. PATENT DOCUMENTS

D. 238,652	2/1976	Haivala et al.	D8/45
D. 289,882	5/1987	Gringer	D8/45
636,345	11/1899	Miller	15/235.4
850,945	4/1907	Martin	15/235.4
899,653	9/1908	Bishop	15/235.4
977,387	11/1910	Harvie	15/235.4
1,055,406	3/1913	Mason et al.	D8/45
1,125,844	1/1915	Hardsocg	15/235.4
3,095,594	7/1963	Dornbos	15/235.4
4,467,492	8/1984	Harrington	15/235.4

FIG. 6 is a rear elevational view thereof;

FIG. 7 is a front elevational view thereof;
FIG. 8 is a cross sectional view taken along line 8—8 of
FIG. 3;

FIG. 9 is a top plan view of a second embodiment of a
concrete trowel, wherein the only difference lies in the
length of the base;

FIG. 10 is a left side elevational view thereof;

FIG. 11 is a bottom plan view thereof;

FIG. 12 is a right side elevational view thereof;

FIG. 13 is a top plan view of a third embodiment of a
concrete trowel wherein the only difference lies in the
length of the base;

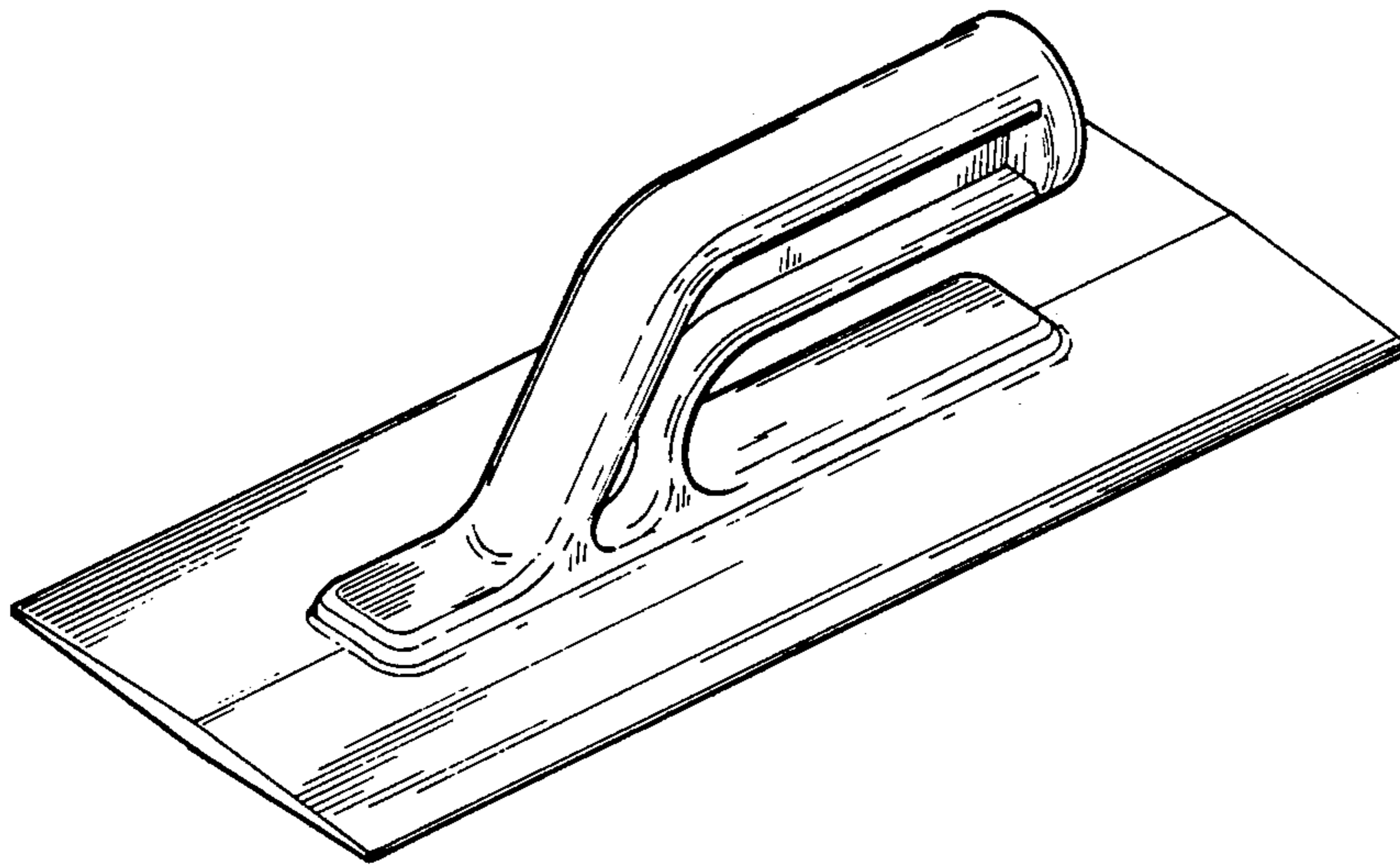
FIG. 14 is a left side elevational view thereof;

FIG. 15 is a bottom plan view thereof;

FIG. 16 is a right side elevational view thereof.

The front elevational views of all three embodiments
are identical, and the rear elevational views of all three
embodiments are similarly identical.

Primary Examiner—Catherine E. Kemper
Attorney, Agent, or Firm—Charles W. McHugh



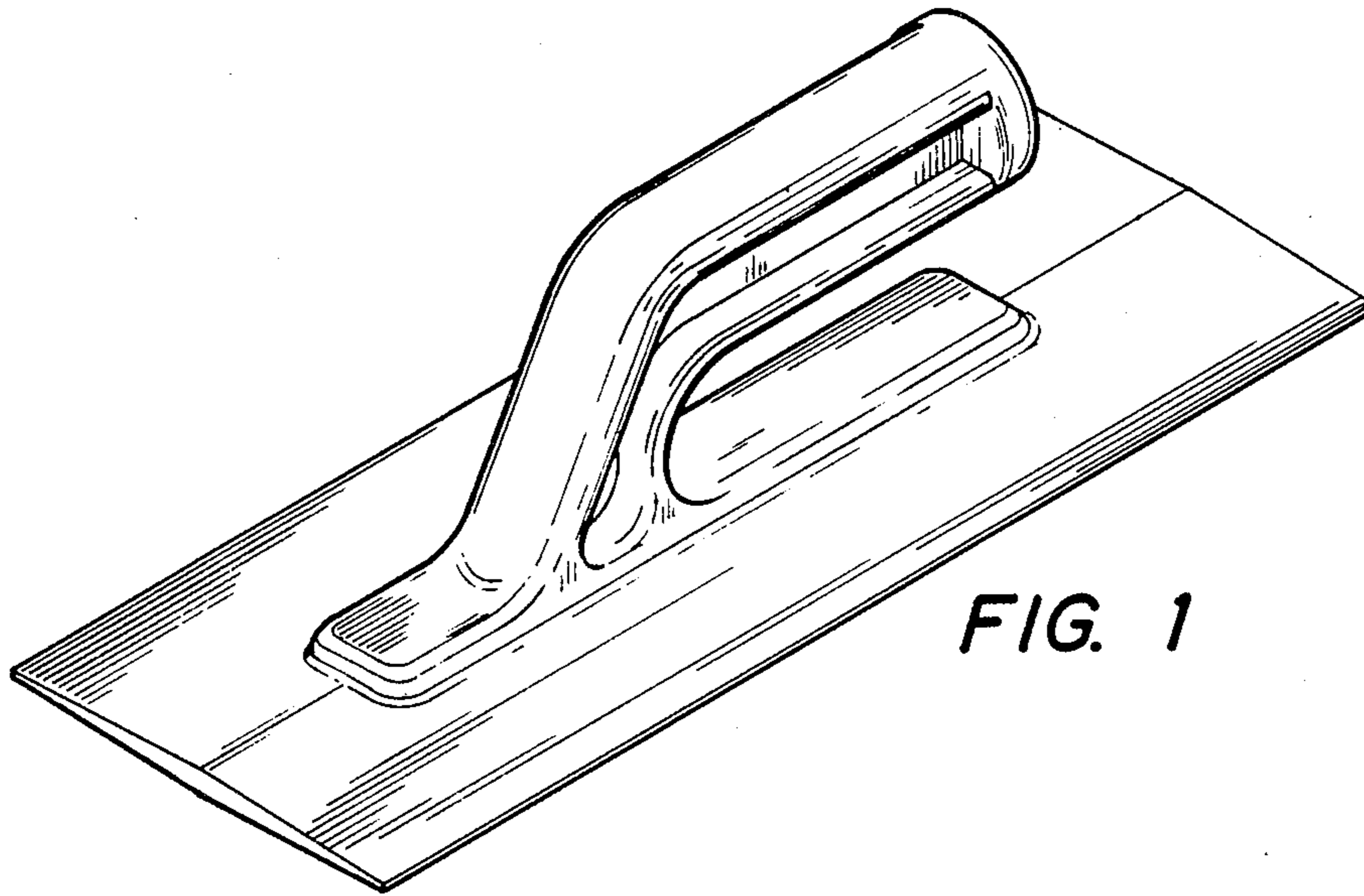


FIG. 1

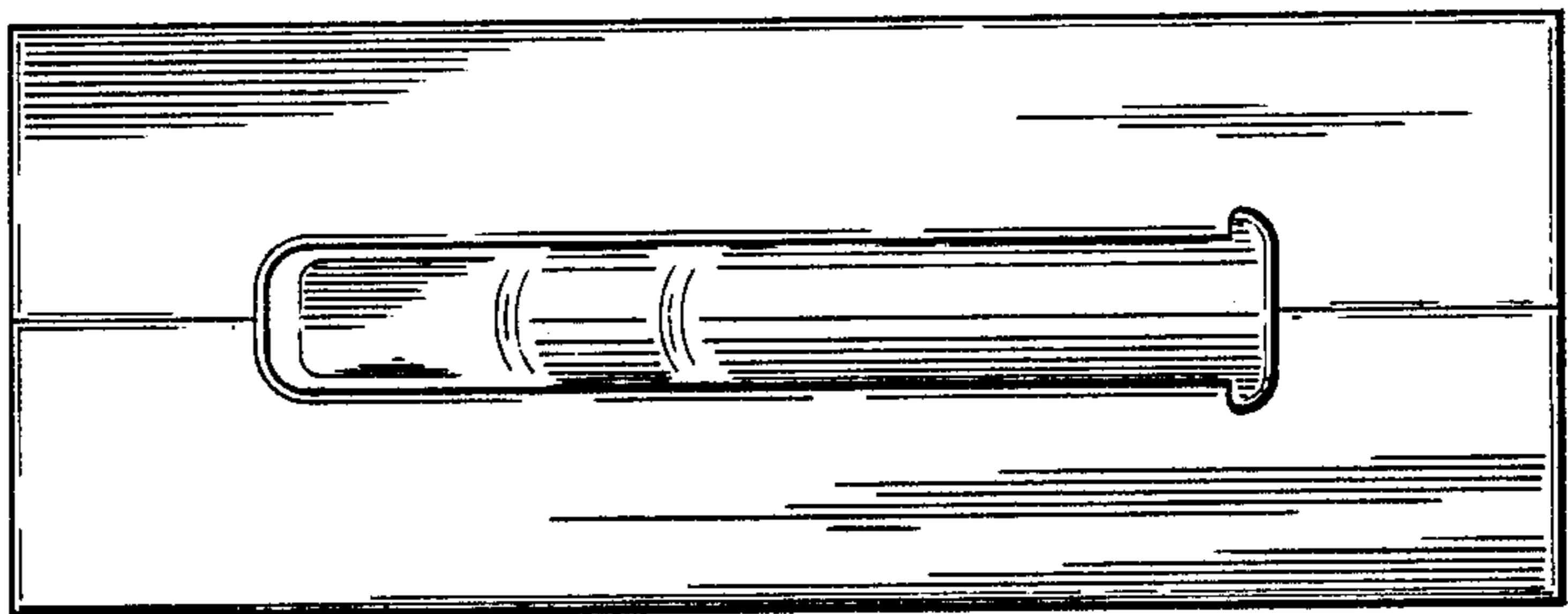


FIG. 2

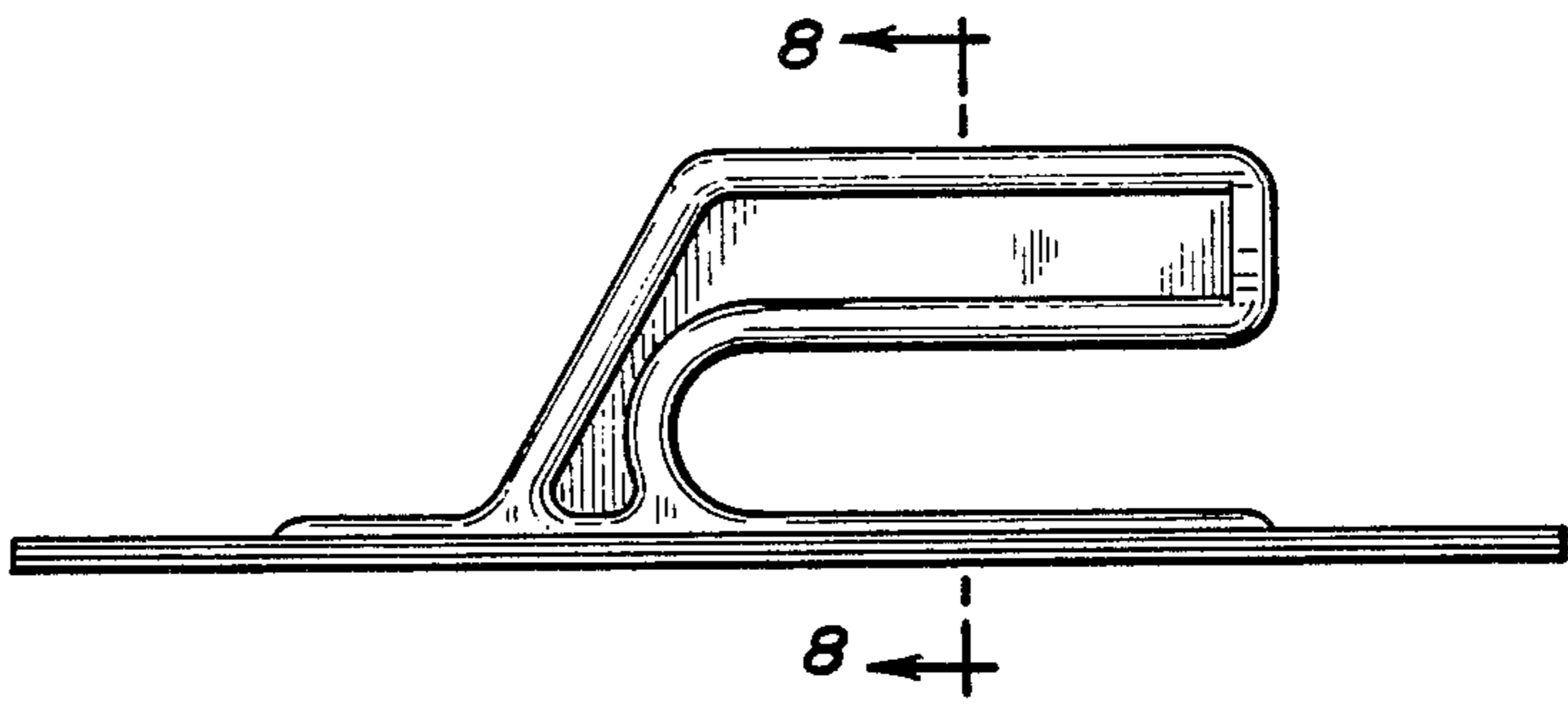


FIG. 3

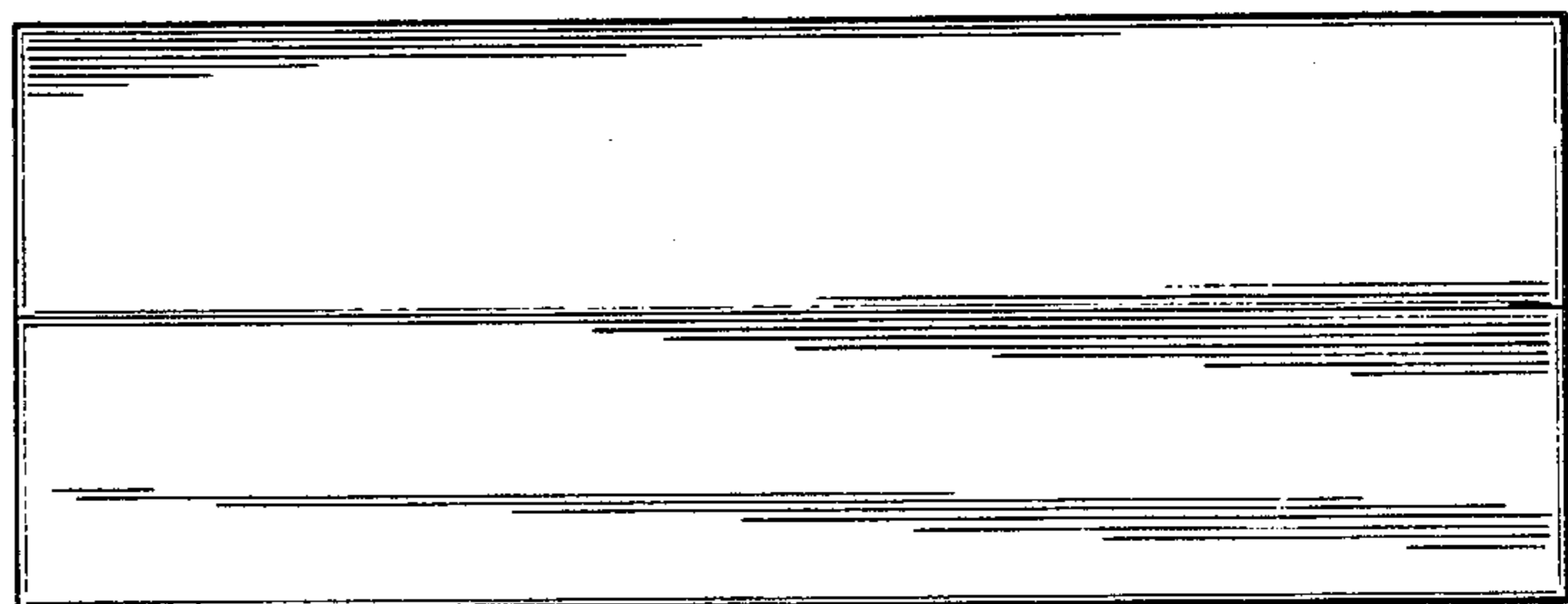


FIG. 4

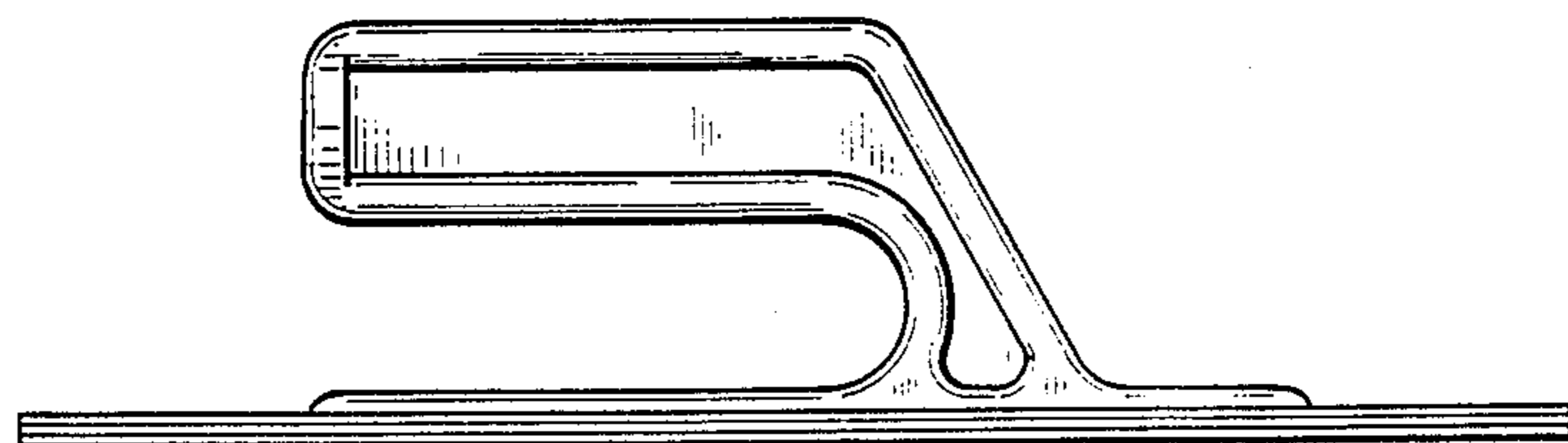


FIG. 5

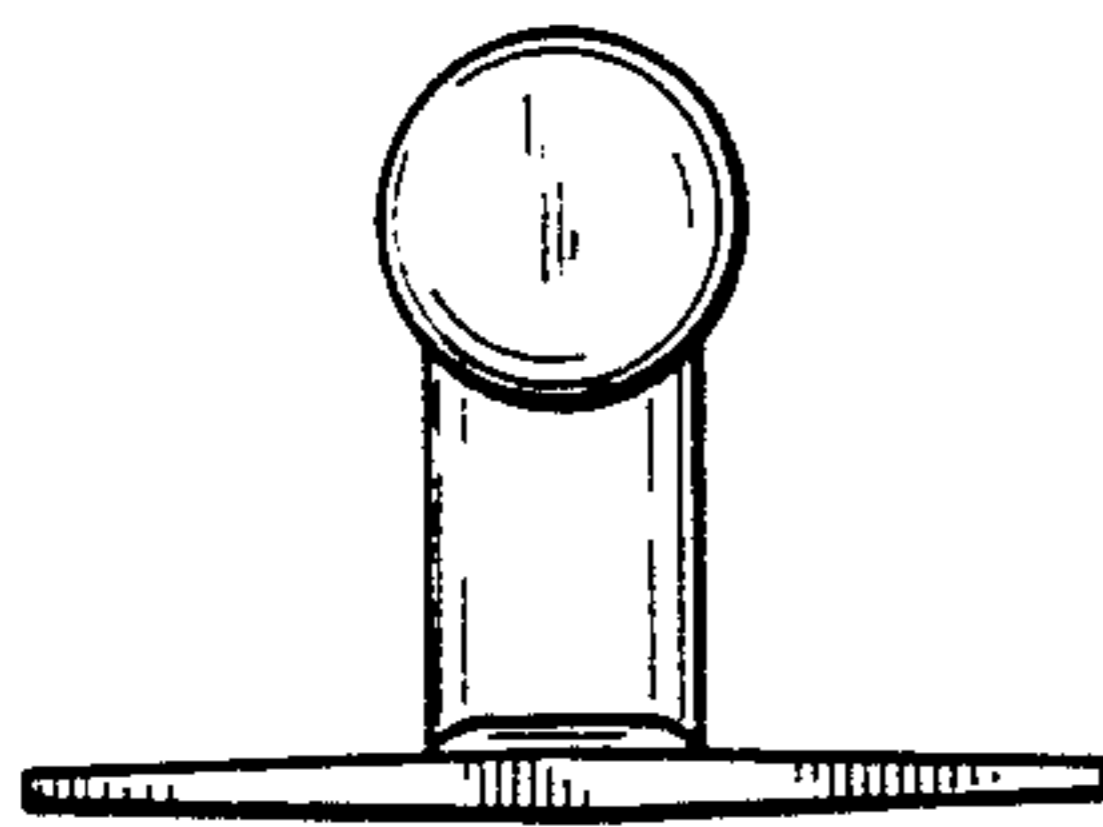


FIG. 6

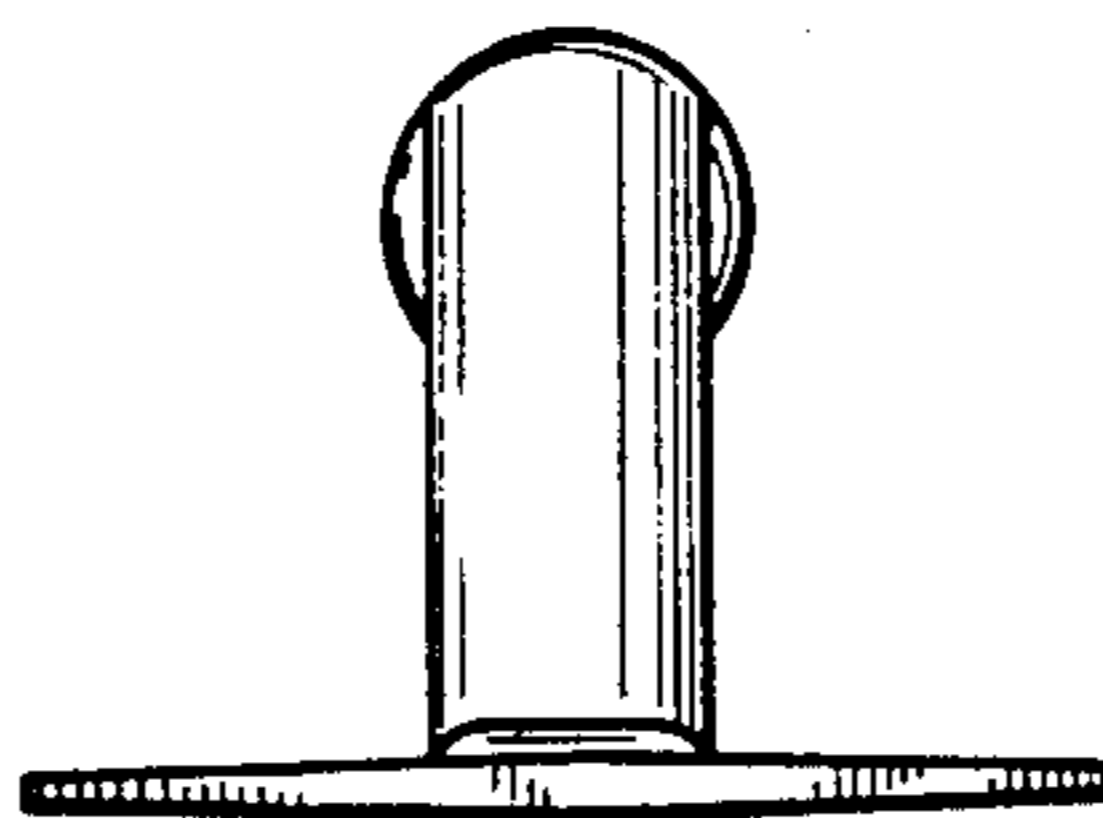


FIG. 7

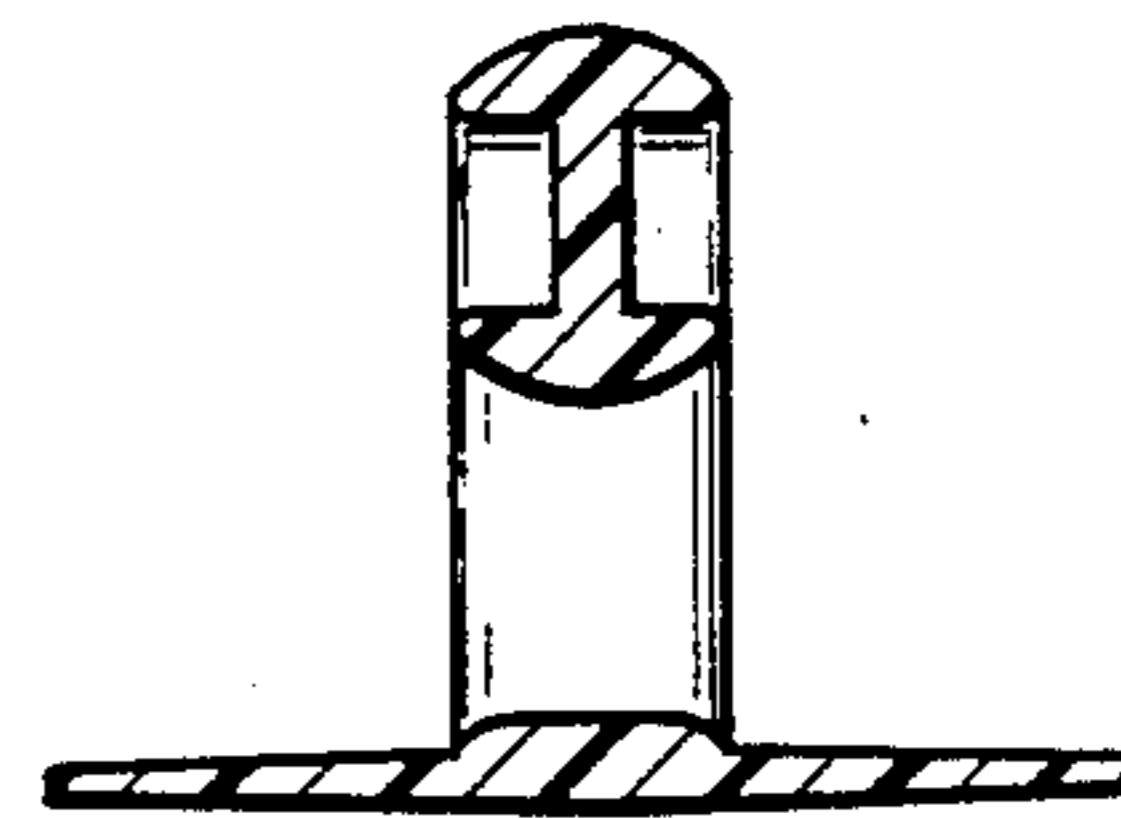


FIG. 8

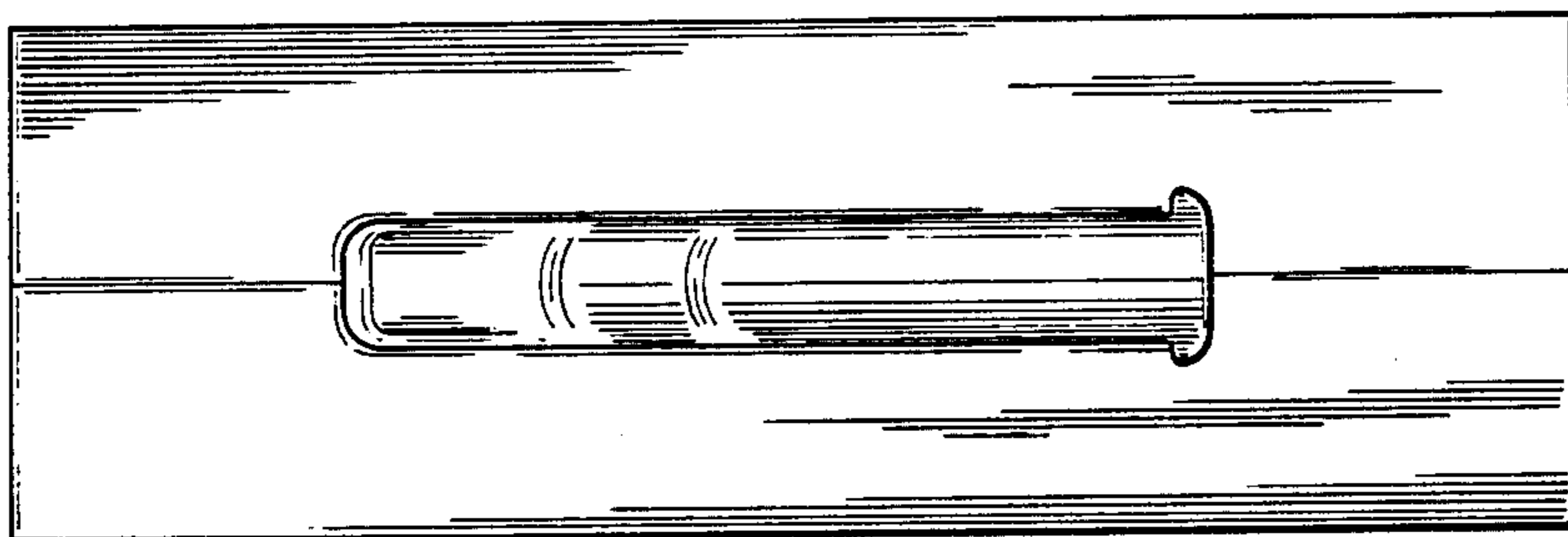


FIG. 9

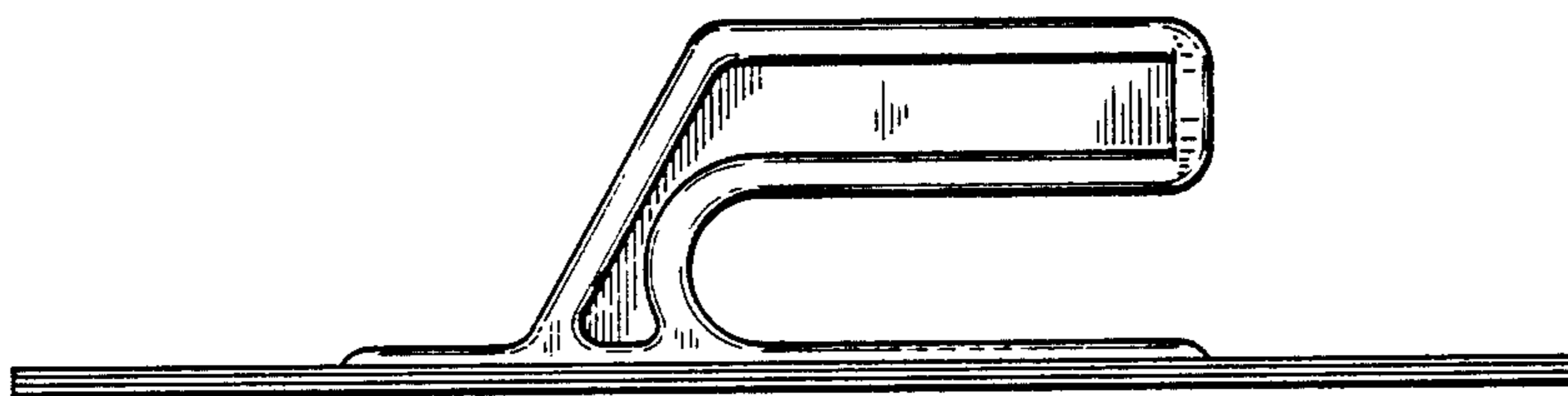


FIG. 10

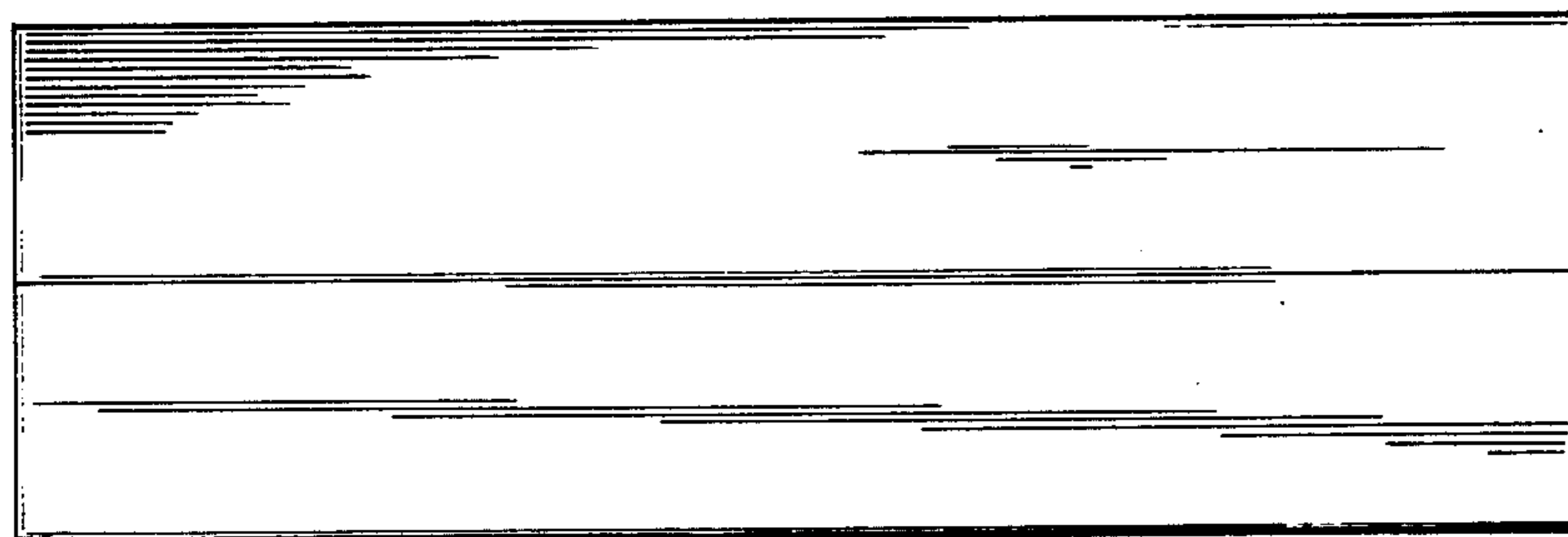


FIG. 11

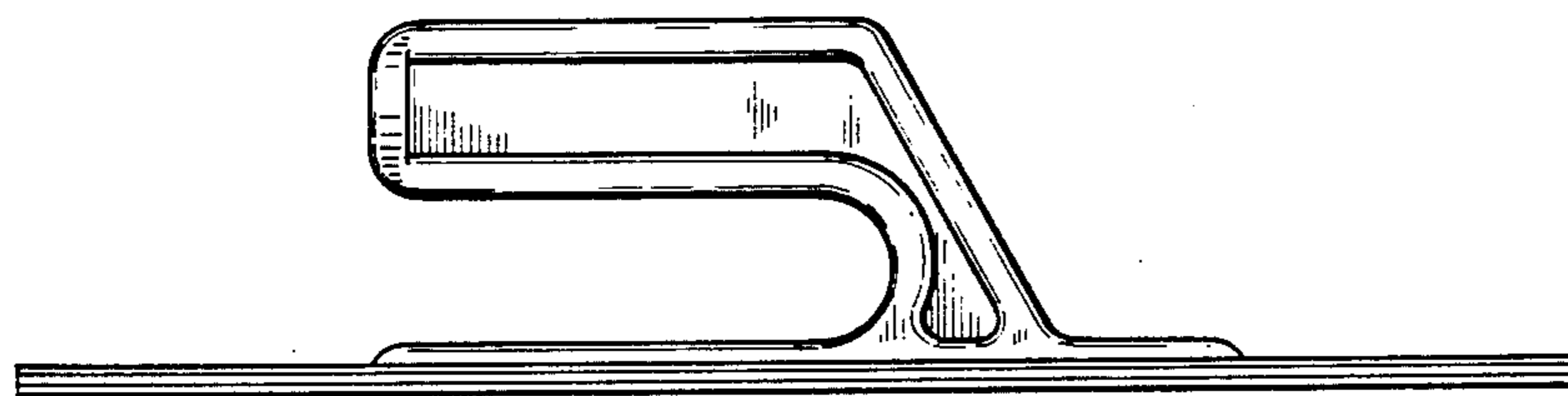


FIG. 12

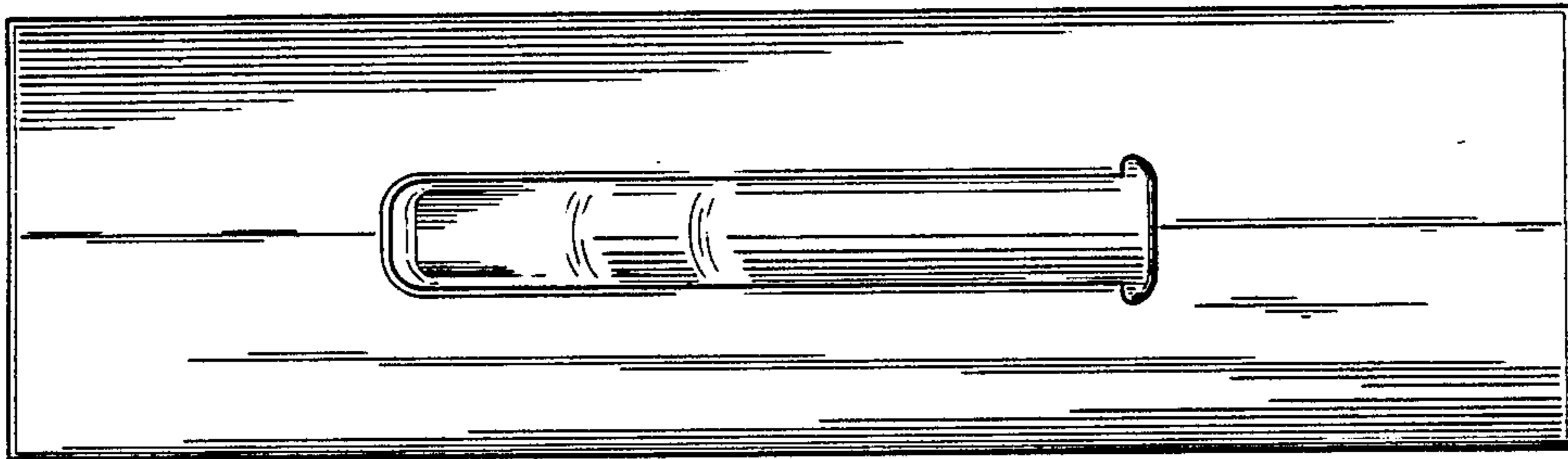


FIG. 13

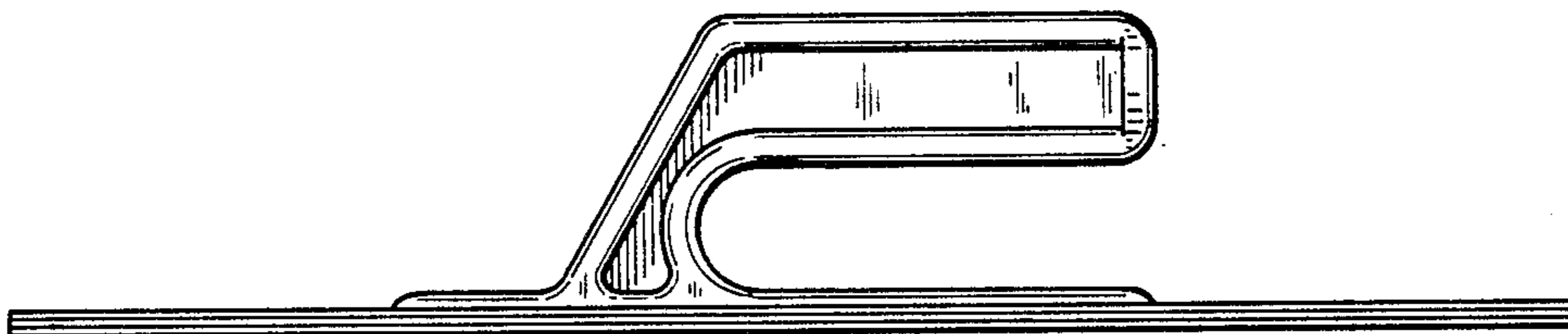


FIG. 14

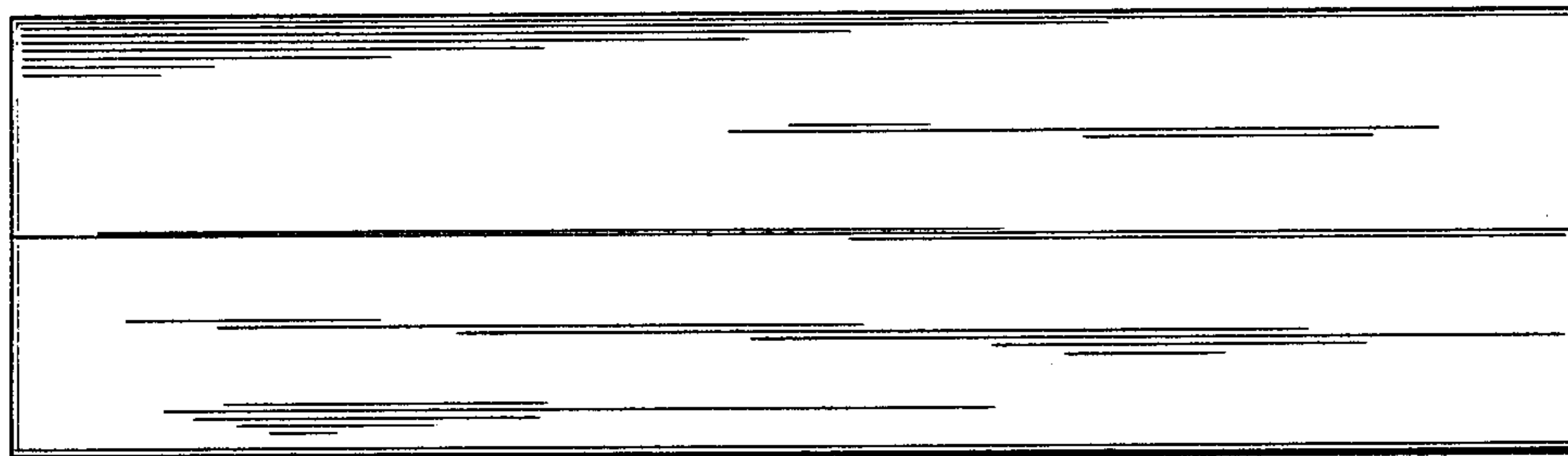


FIG. 15

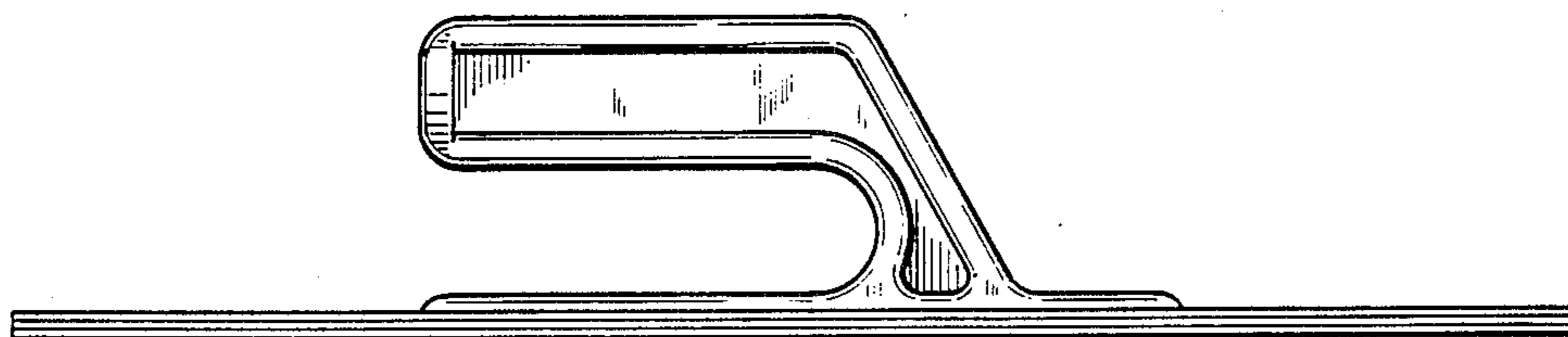


FIG. 16