

[54] COMBINATION BOTTLE AND JAR OPENER

[76] Inventor: Forrest Wheeler, 661 S. Stage Rd., Medford, Oreg. 97501

[**] Term: 14 Years

[21] Appl. No.: 805,230

[22] Filed: Nov. 15, 1985

[52] U.S. Cl. D8/43

[58] Field of Search D8/18, 33, 34, 40, 43; 7/151; 81/3.07, 3.09, 3.55

[56] References Cited

U.S. PATENT DOCUMENTS

- D. 126,253 4/1941 Smiley D8/18
- D. 257,318 10/1980 Gorgi D8/18
- 3,751,743 8/1973 Pouck 81/3.4 X

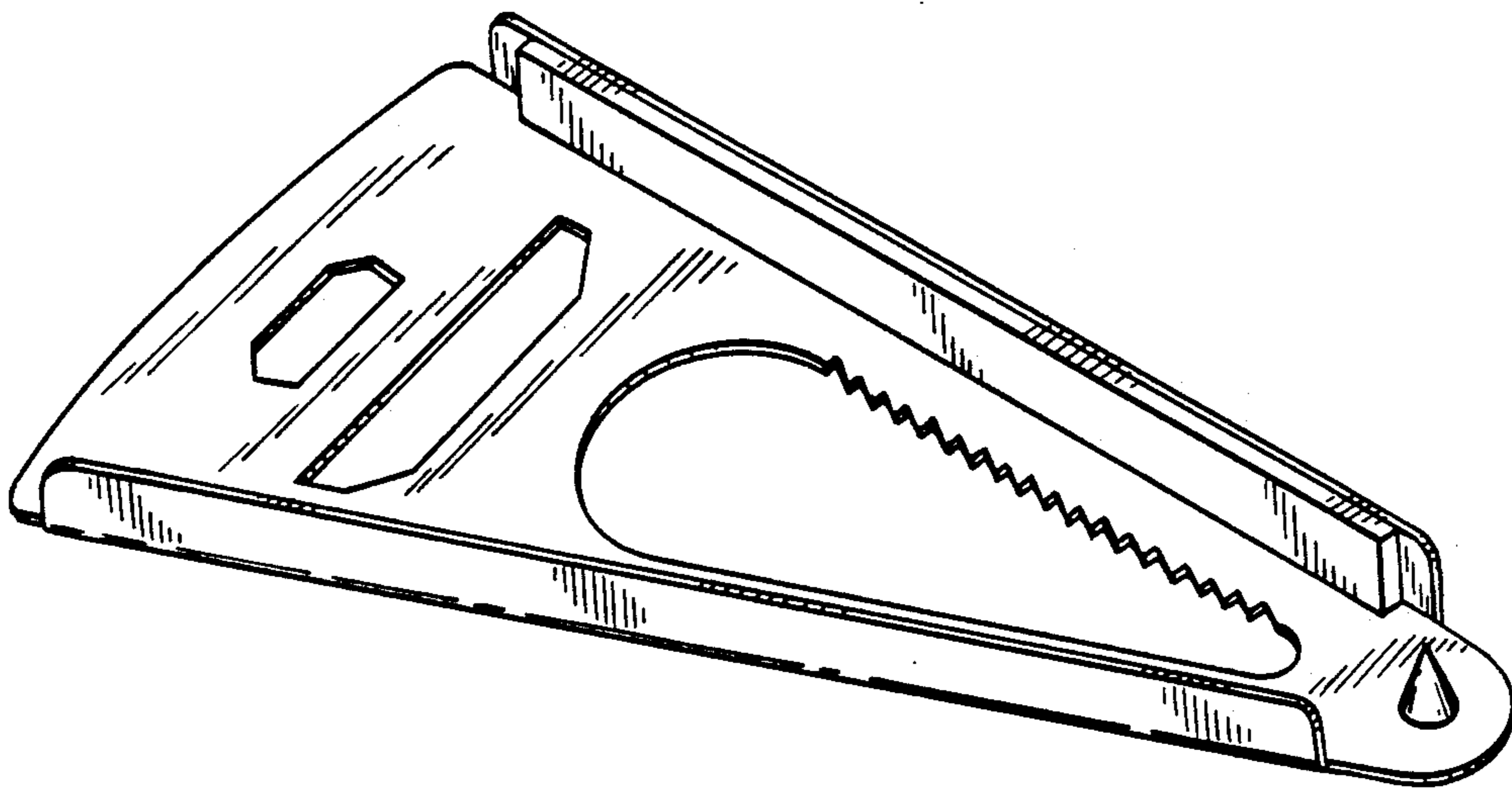
Primary Examiner—Bernard Ansher
Assistant Examiner—Terry Pfeffer
Attorney, Agent, or Firm—Chernoff, Vilhauer, McClung & Stenzel

[57] CLAIM

The ornamental design for a combination bottle and jar opener, as shown and described.

DESCRIPTION

FIG. 1 is a perspective view of a combination bottle and jar opener showing my new design;
FIG. 2 is a right side elevational view thereof, the left side elevational view being a mirror image thereof;
FIG. 3 is a top plan view thereof;
FIG. 4 is a front elevational view thereof;
FIG. 5 is a rear elevational view thereof; and
FIG. 6 is a bottom plan view thereof.



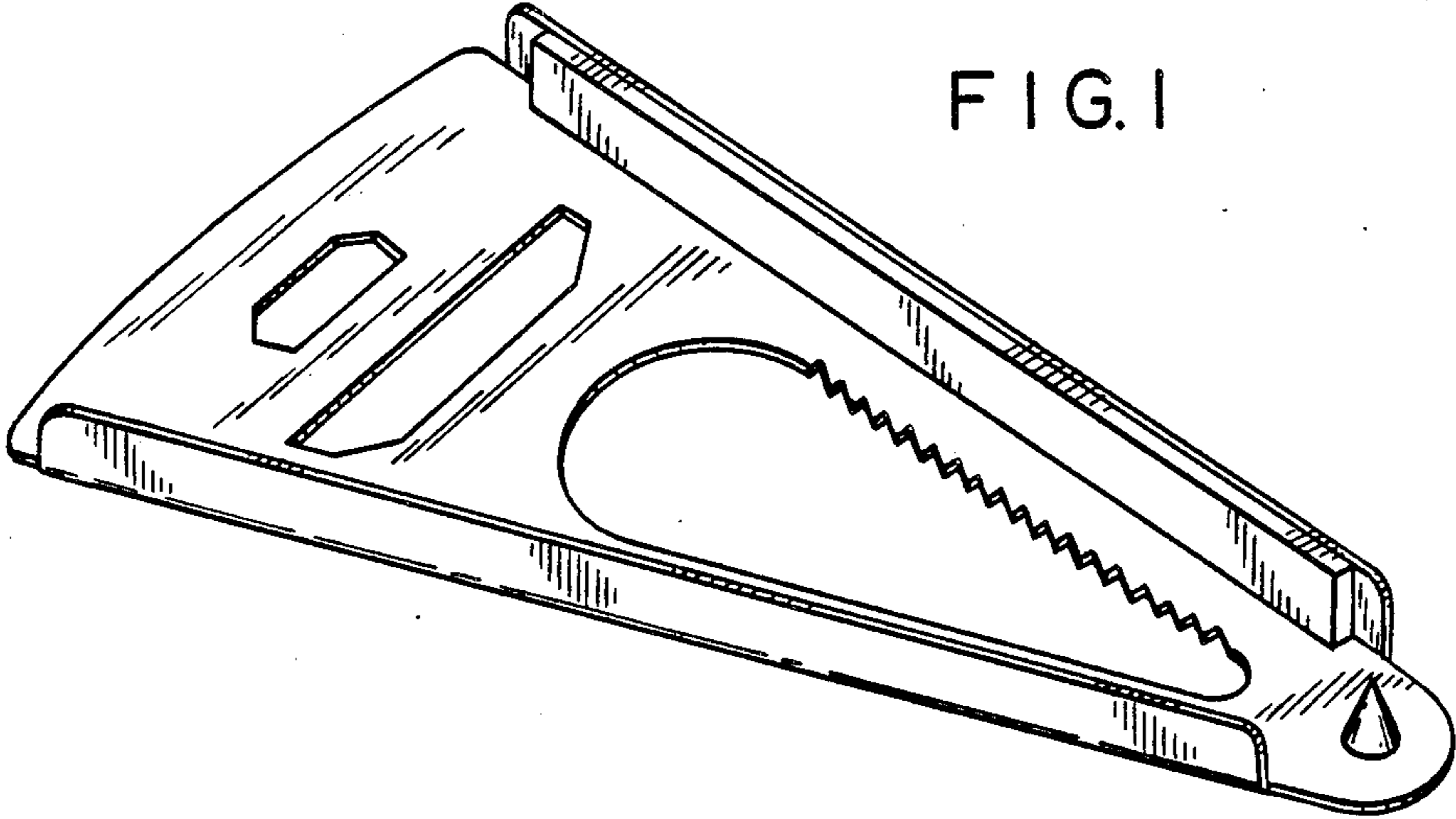


FIG. 1

FIG. 2

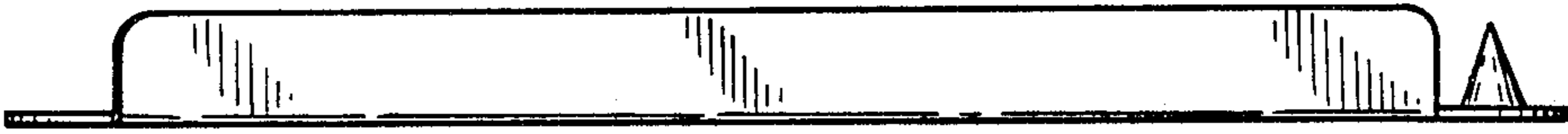


FIG. 5



FIG. 3

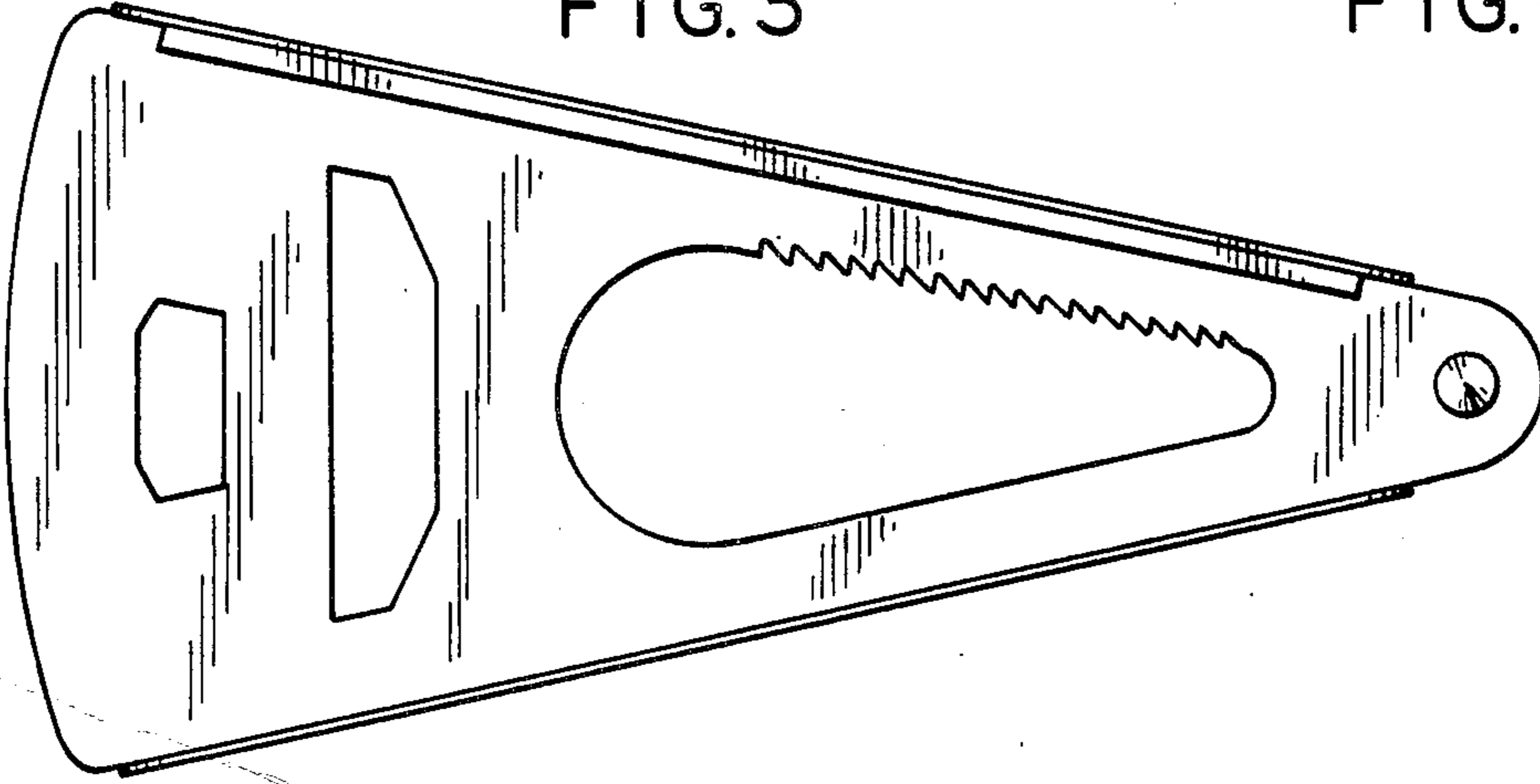


FIG. 4



FIG. 6

