

[54] TORQUE WRENCH

[75] Inventor: Stephen A. Denman, Centerville, Ohio

[73] Assignee: Deuer Manufacturing Inc., Dayton, Ohio

[**] Term: 14 Years

[21] Appl. No.: 806,364

[22] Filed: Nov. 25, 1985

[52] U.S. Cl. D8/24

[58] Field of Search D8/24; 73/862.21, 862.26; 81/478

[56] References Cited

U.S. PATENT DOCUMENTS

- D. 119,193 2/1940 Zimmerman D8/24
- D. 244,745 6/1977 Tsuji D8/24
- 2,385,591 9/1945 Sturtevant 81/478 X
- 3,076,362 2/1963 Able 81/478

- 3,304,771 2/1967 Ochs D8/24 X
- 3,308,690 3/1967 La Pointe 81/478

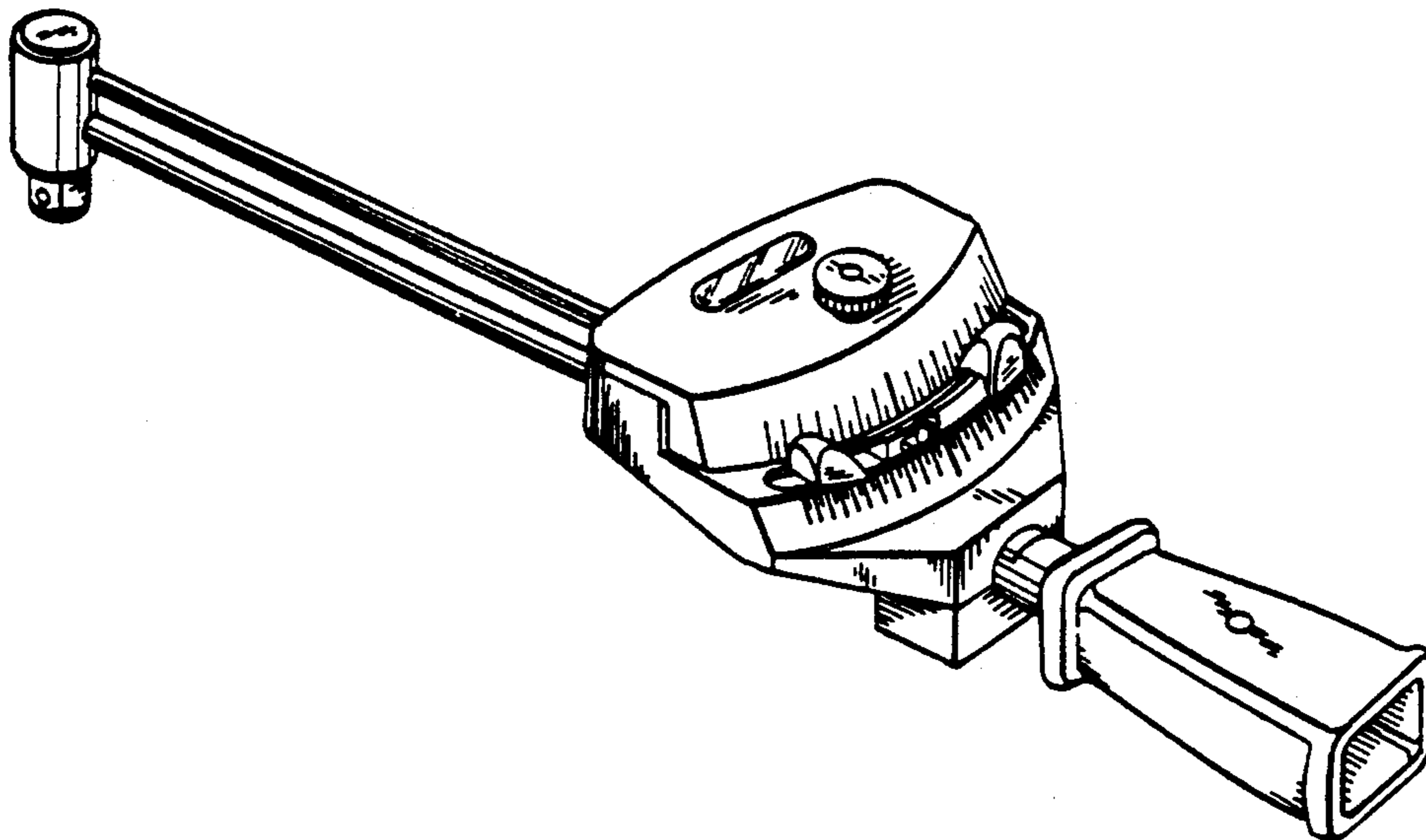
Primary Examiner—Wallace R. Burke
Assistant Examiner—Brian N. Vinson
Attorney, Agent, or Firm—Jacox & Meckstroth

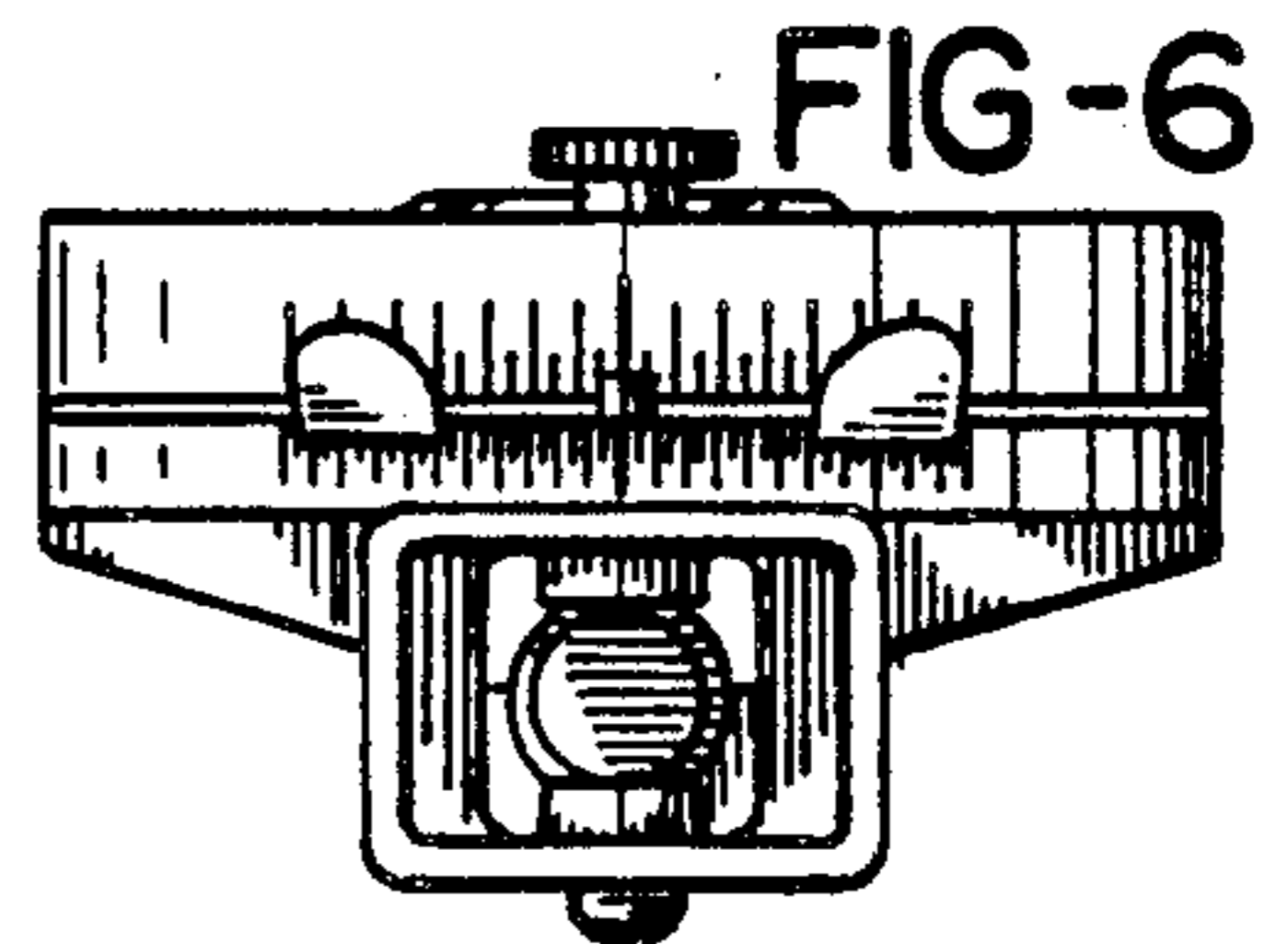
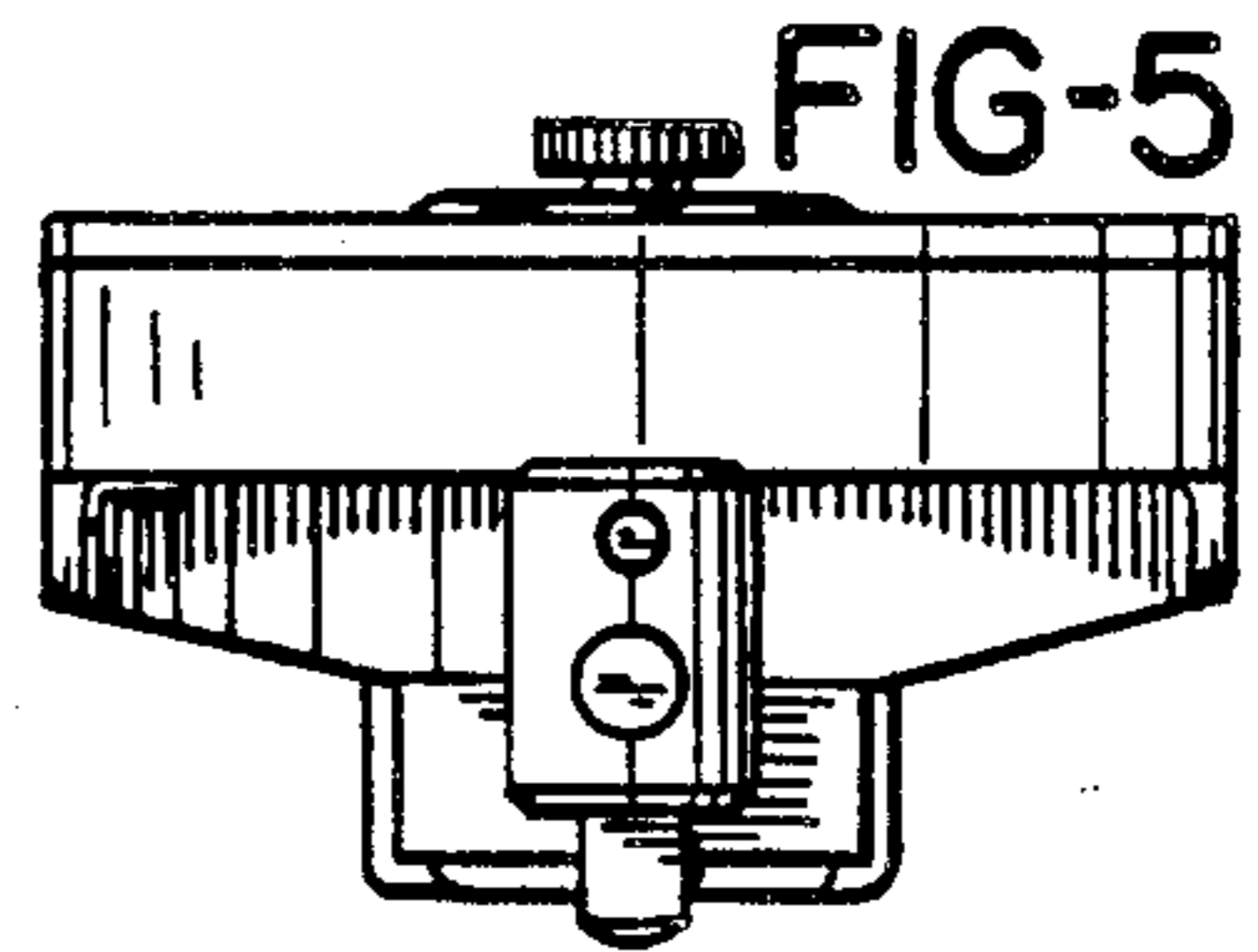
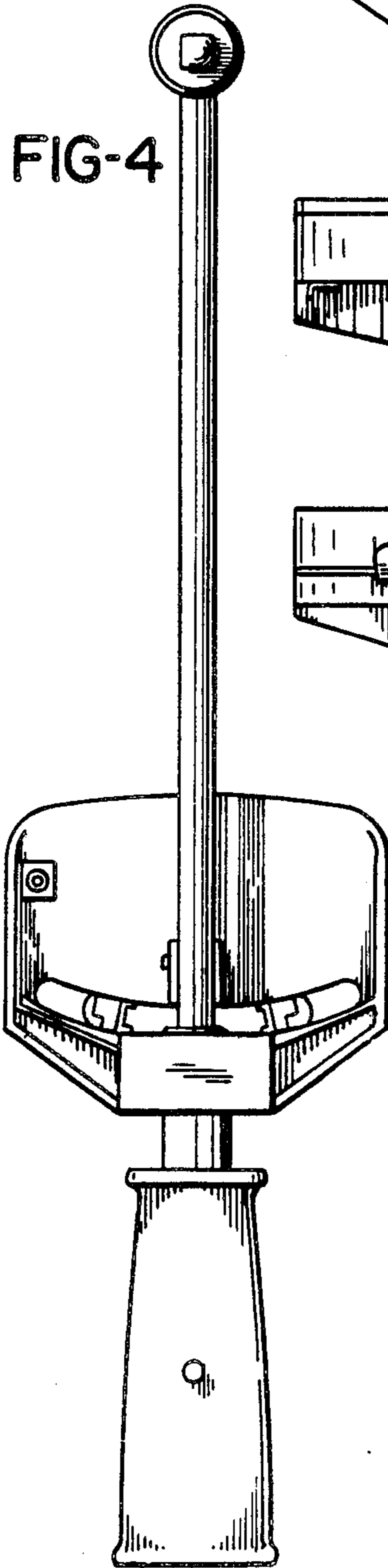
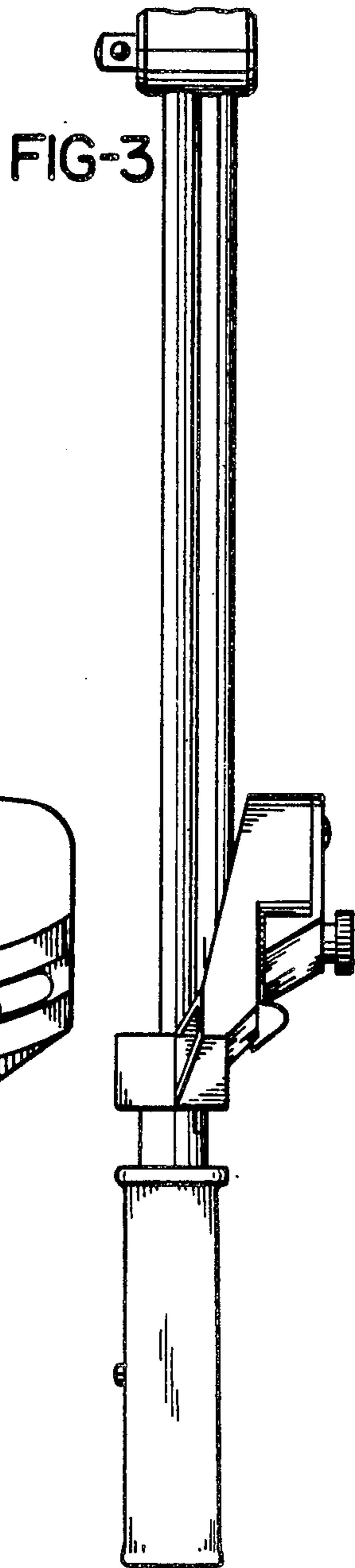
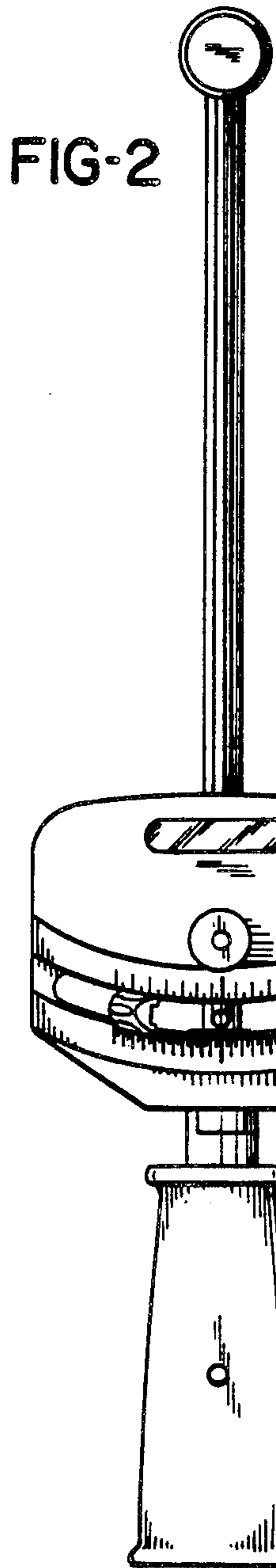
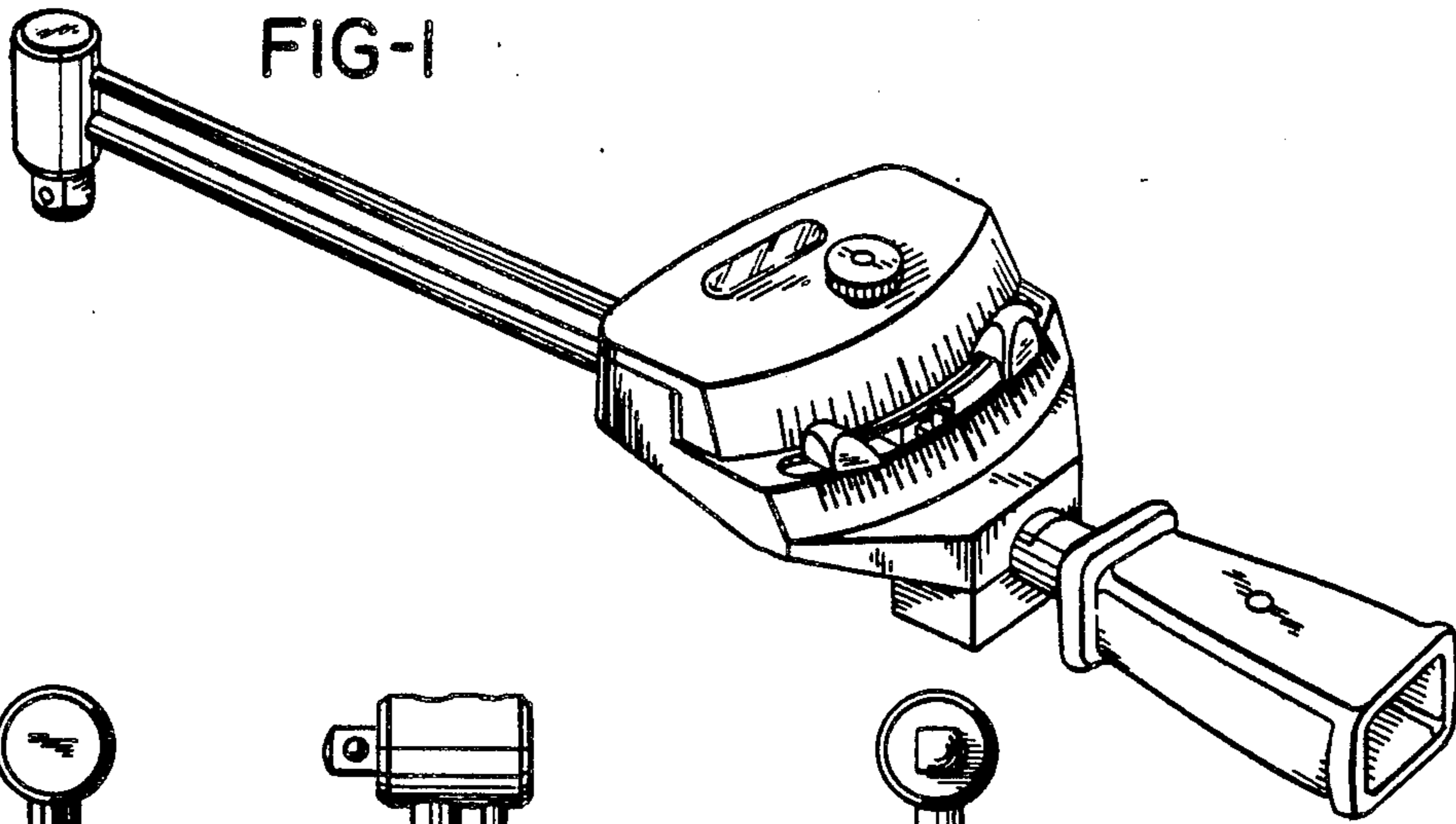
[57] CLAIM

The ornamental design for a torque wrench, as shown and described.

DESCRIPTION

FIG. 1 is a top perspective view of a torque wrench showing my new design;
FIG. 2 is a top plan view thereof;
FIG. 3 is a side elevational view thereof, the side opposite being a mirror image;
FIG. 4 is a bottom plan view thereof;
FIG. 5 is an end elevational view thereof;
FIG. 6 is an opposite end elevational view thereof; and
FIG. 7 is a top perspective view of a second embodiment thereof. The only difference residing in the configuration of the hand grip.





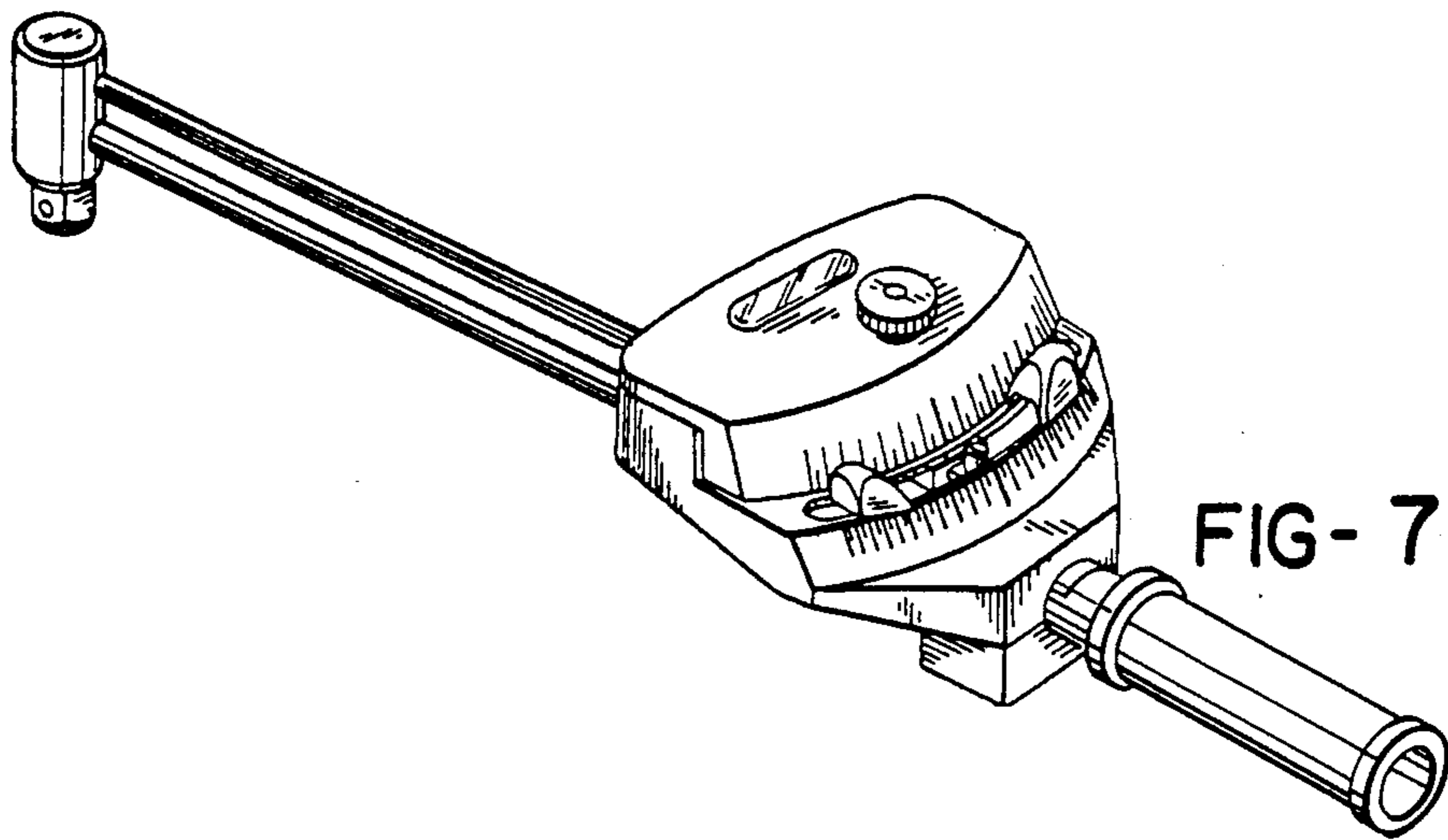


FIG-7