

[54] TOASTER

[75] Inventor: Seiji Yamanaka, Yokohama, Japan

[73] Assignee: Kabushiki Kaisha Toshiba, Kawasaki, Japan

[**] Term: 14 Years

[21] Appl. No.: 719,124

[22] Filed: Apr. 2, 1985

[30] Foreign Application Priority Data

Oct. 17, 1984 [JP] Japan 59-42652

[52] U.S. Cl. D7/330

[58] Field of Search D7/328-330, D7/350; 99/385, 389

[56] References Cited

U.S. PATENT DOCUMENTS

- D. 83,830 3/1931 Preston D7/328
- D. 127,814 6/1941 Reinecke et al. D7/330
- D. 233,643 11/1974 Naito et al. D7/330
- 3,760,713 9/1973 Sato D7/330 X
- 4,345,513 8/1982 Holt D7/330 X

FOREIGN PATENT DOCUMENTS

- 288181 11/1968 Japan .
- 446374 4/1977 Japan .

OTHER PUBLICATIONS

Hong Kong Household, Jul. 1983, p. 70, Young Wai Products, Ltd., top left 2 Slice Toaster "Way-1".

NT-T4 in National Catalogue.

Japanese Design Reg. No. 288,181, "Toaster", Matsushita Electric Industrial Co., Ltd. published Nov. 20, 1968.

Japanese Design Reg. No. 446,374, "Toaster", Sharp Corporation published Apr. 4, 1977.

Primary Examiner—Winifred E. Herrmann

Attorney, Agent, or Firm—Finnegan, Henderson Farabow, Garrett and Dunner

[57] CLAIM

The ornamental design for a toaster, substantially as shown and described.

DESCRIPTION

FIG. 1 is a front, top and left side perspective view of a toaster showing my new design;

FIG. 2 is an exploded rear, top and right side perspective view thereof, it being understood that the bottom of the removable cover is of conventional appearance and is unornamented;

FIG. 3 is a front elevational view thereof, the rear being a mirror image of the front;

FIG. 4 is a left side elevational view thereof;

FIG. 5 is a top plan view thereof;

FIG. 6 is a right side elevational view thereof; and

FIG. 7 is a bottom plan view thereof.

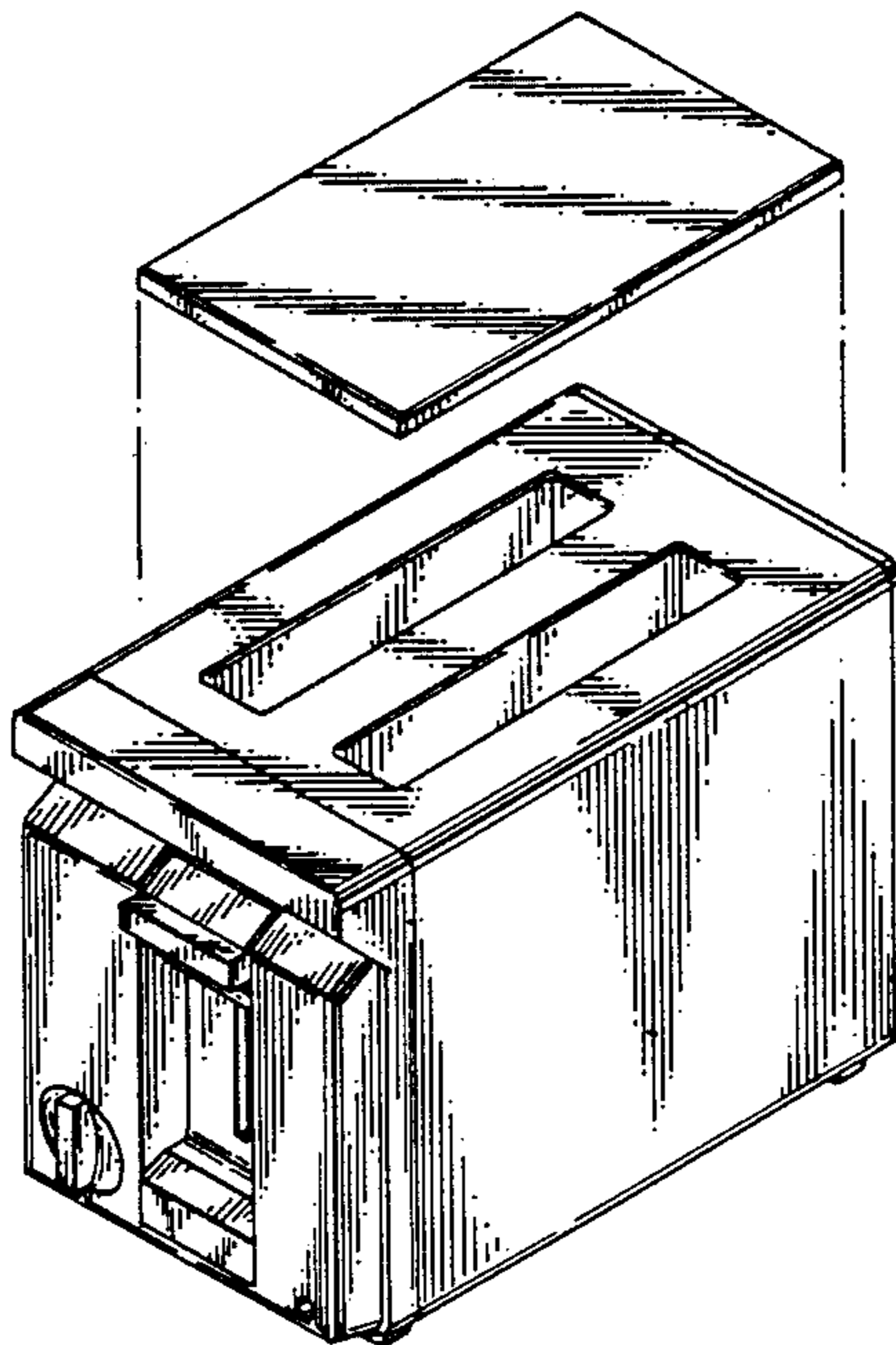


FIG. 1

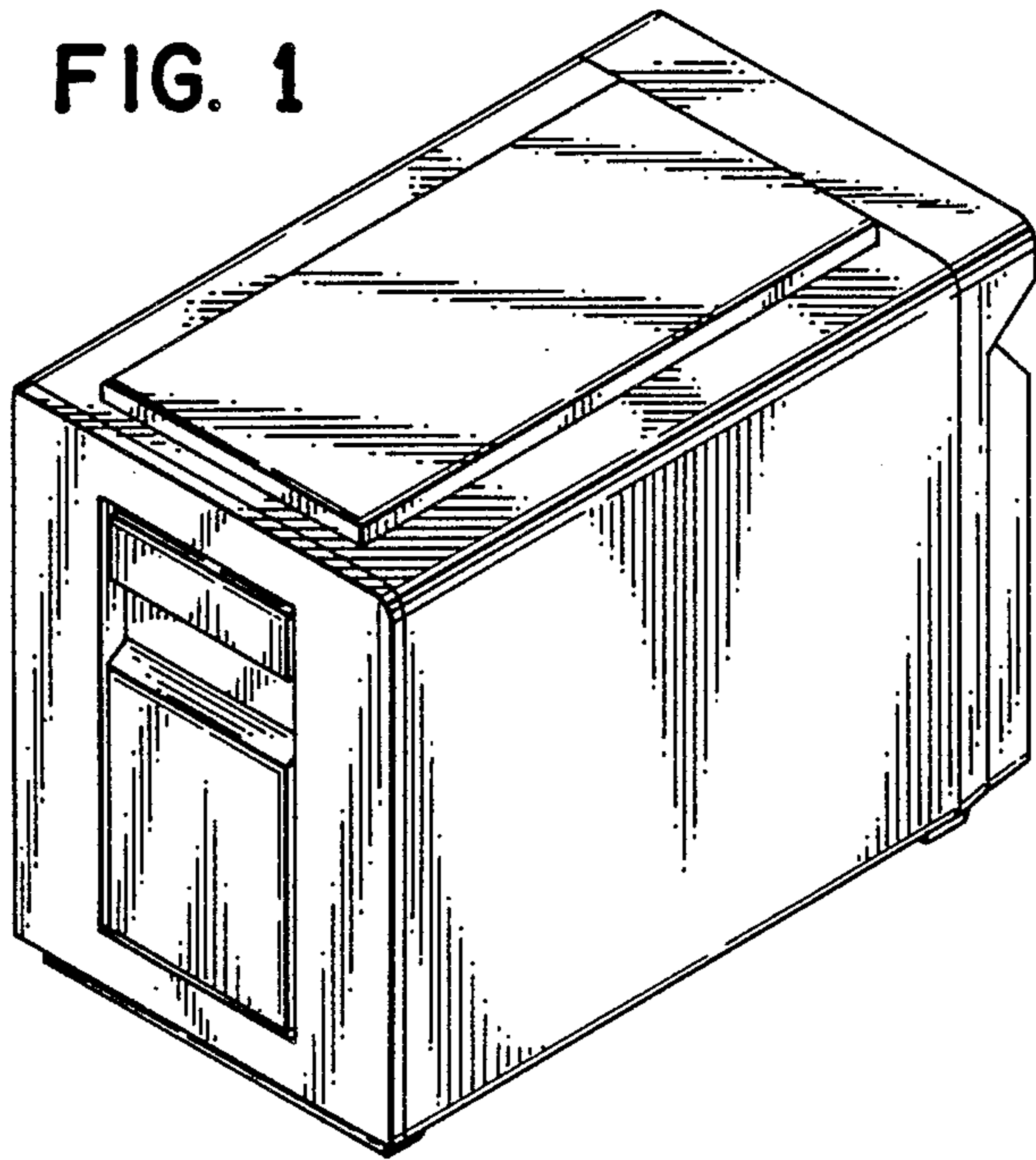


FIG. 2

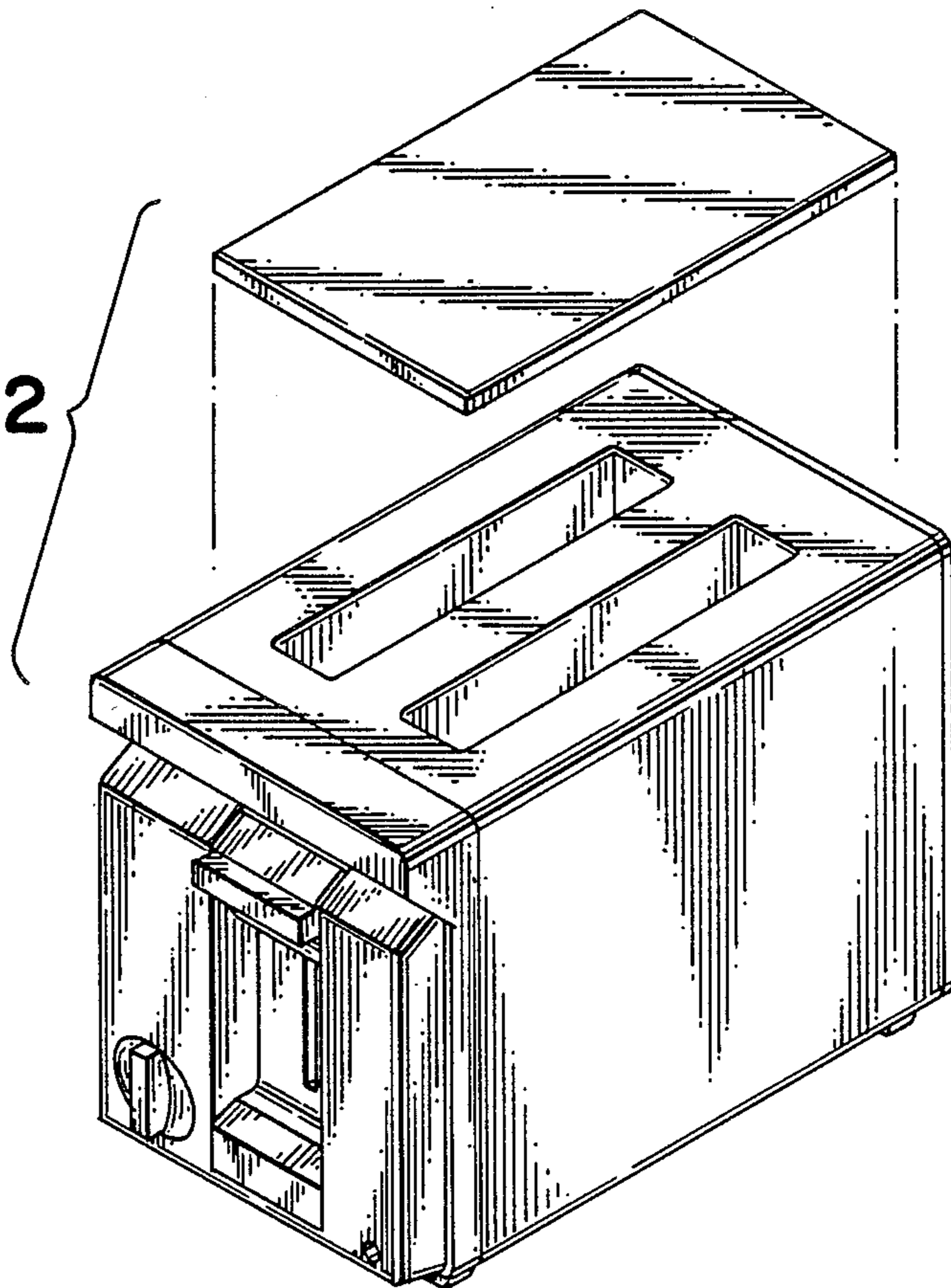


FIG. 3

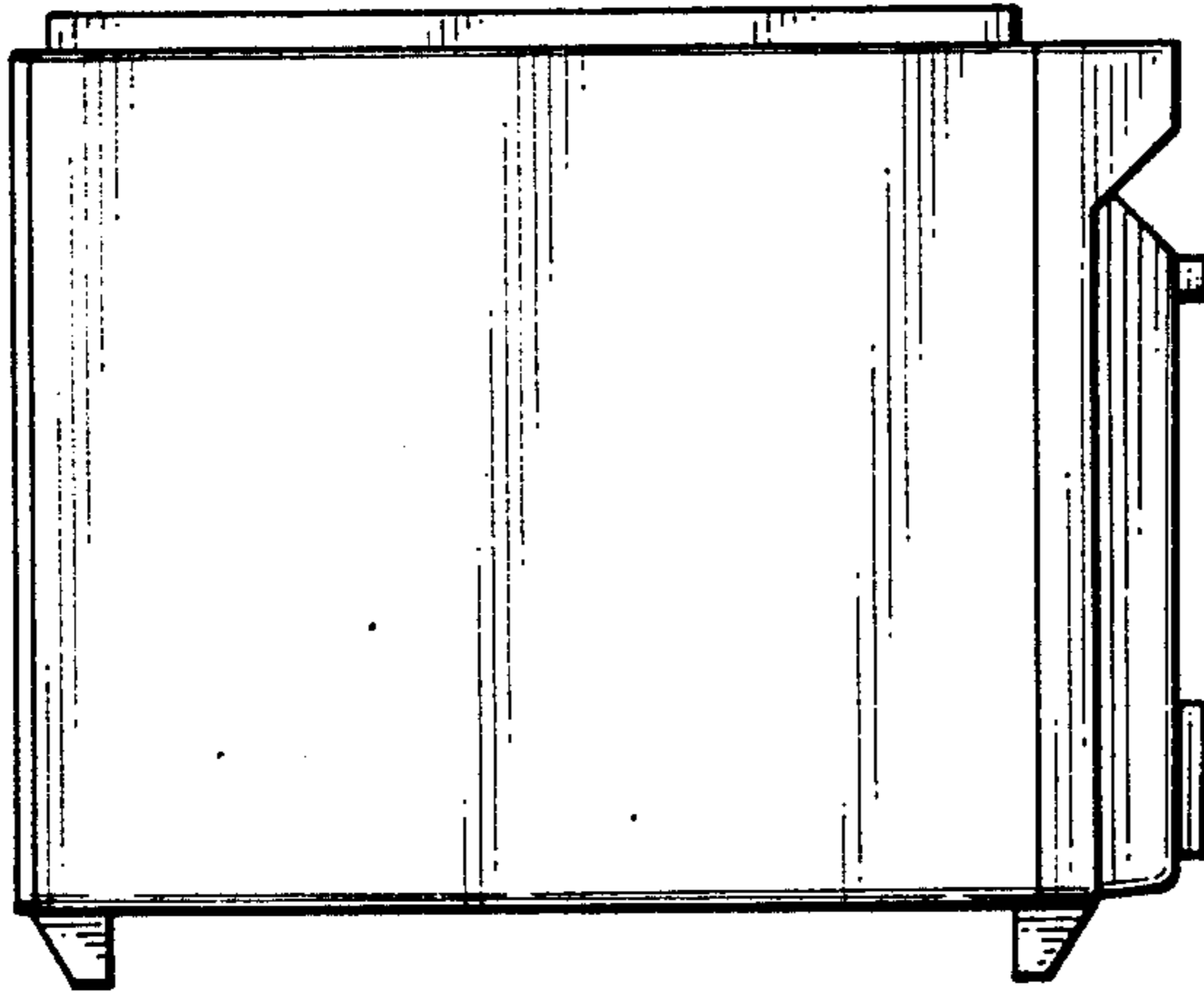


FIG. 4

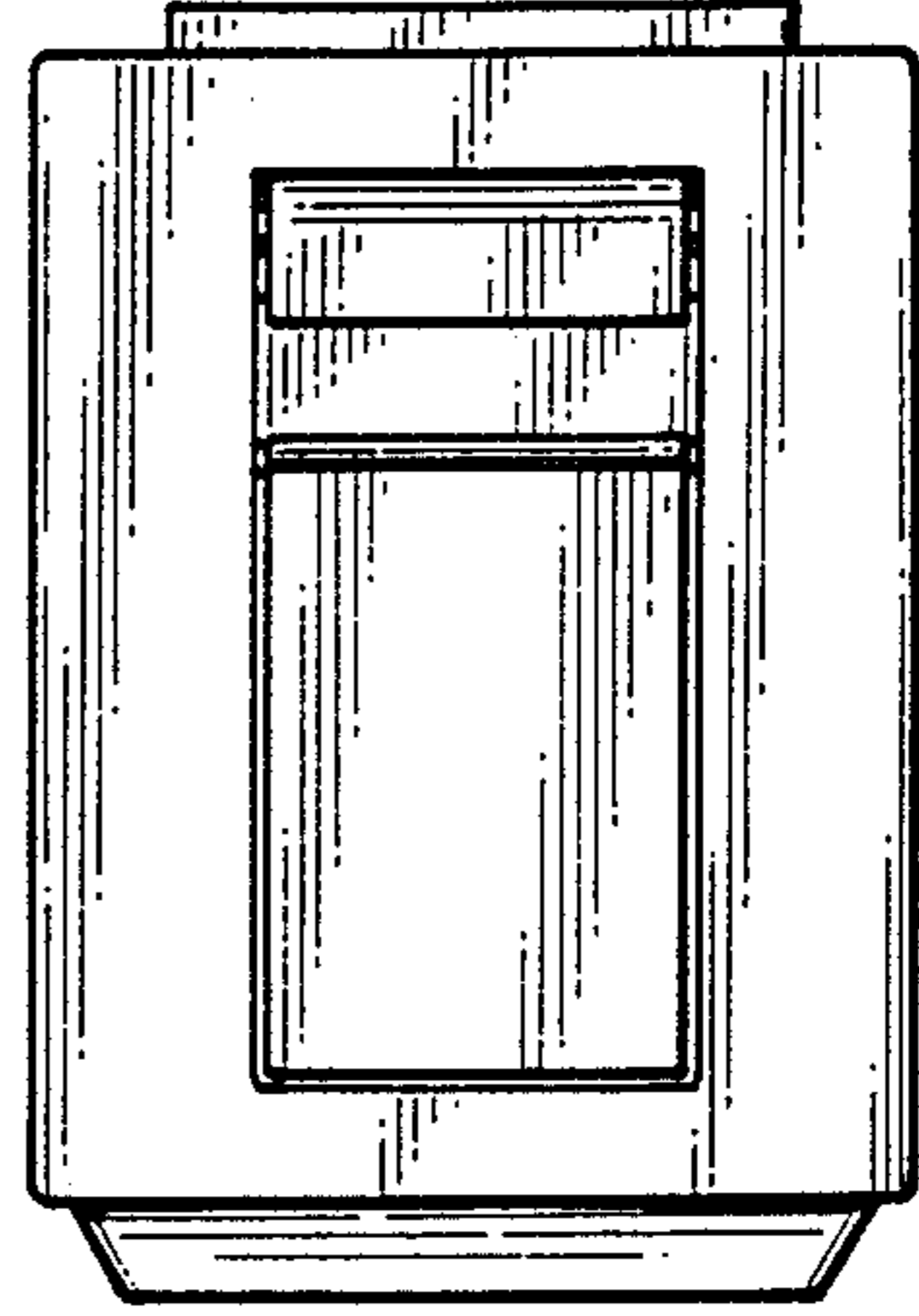


FIG. 5

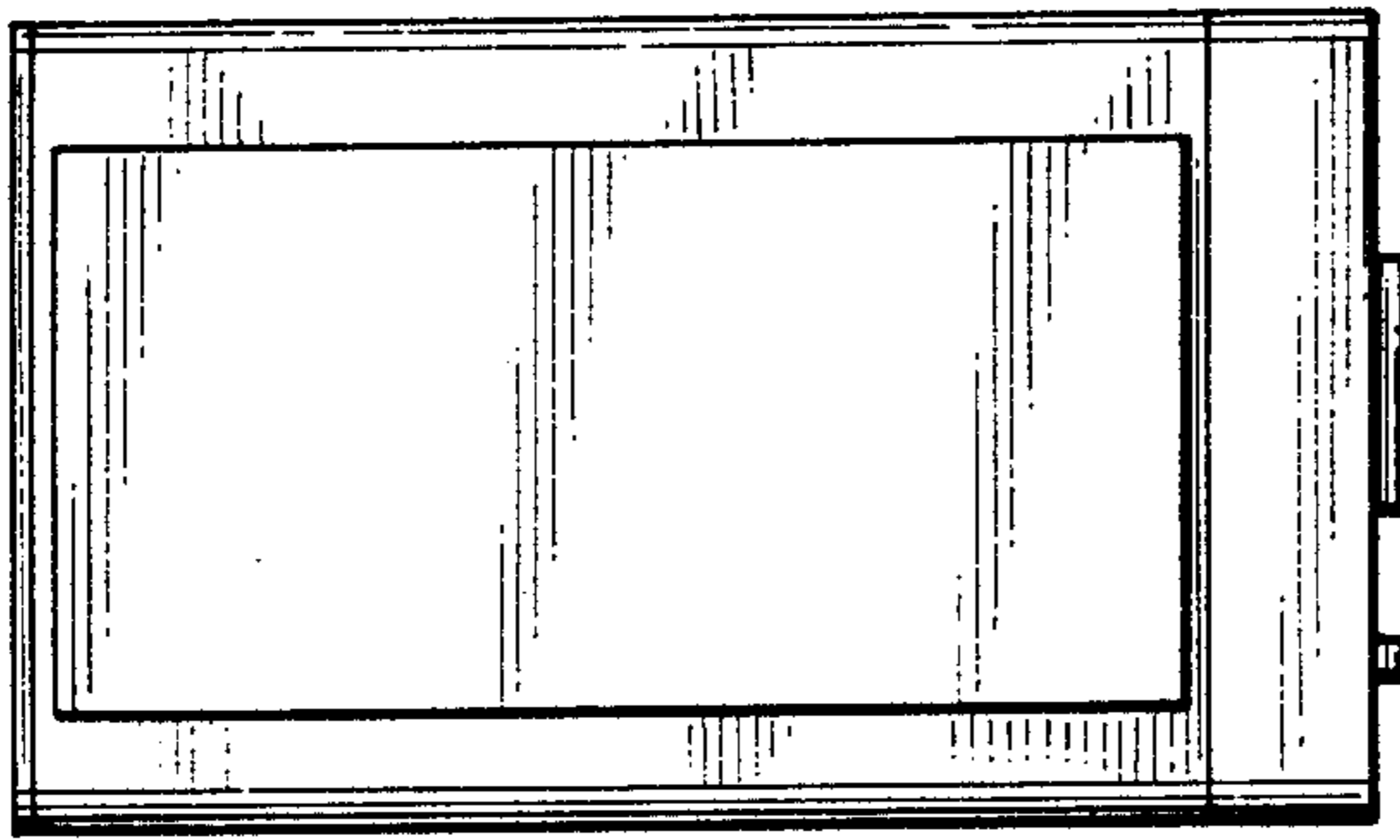


FIG. 6

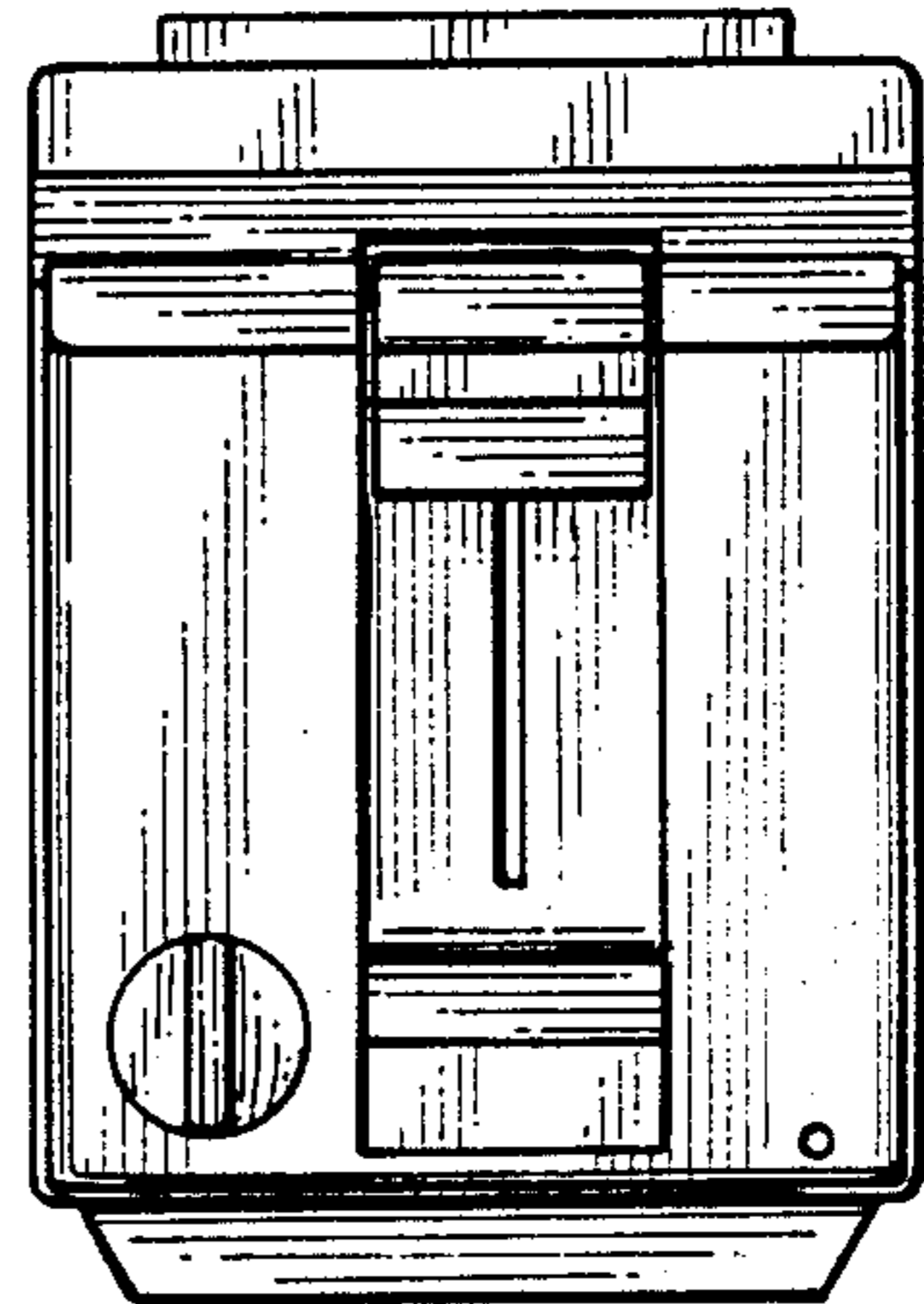


FIG. 7

