

[54] **FRUIT SQUEEZER**

[75] **Inventor: Jose Z. Zimnowicz, Barcelona, Spain**

[73] **Assignee: Braun Española, S.A., Esplugas De Llobregat, Spain**

[**] **Term: 14 Years**

[21] **Appl. No.: 539,089**

[22] **Filed: Oct. 5, 1983**

Related U.S. Application Data

[63] **Continuation-in-part of Ser. No. 270,848, Jun. 5, 1981, abandoned.**

[30] **Foreign Application Priority Data**

Dec. 30, 1980 [ES] Spain 98494

[52] **U.S. Cl. D7/48**

[58] **Field of Search D7/48, 49, 9; 99/506, 99/508; 100/213**

[56] **References Cited**

U.S. PATENT DOCUMENTS

D. 69,603	3/1926	Loomis	D7/48
D. 220,966	6/1971	Bateman	D7/9
D. 251,405	3/1979	Ackeret	D7/49
D. 253,083	10/1979	Lam	D7/49
922,449	5/1909	Bennett	99/508
1,596,148	8/1926	Bristol	99/506

Primary Examiner—Bernard Ansher

Assistant Examiner—Terry Pfeffer

Attorney, Agent, or Firm—Scully, Scott, Murphy & Presser

[57] **CLAIM**

The ornamental design for fruit squeezer, as shown and described.

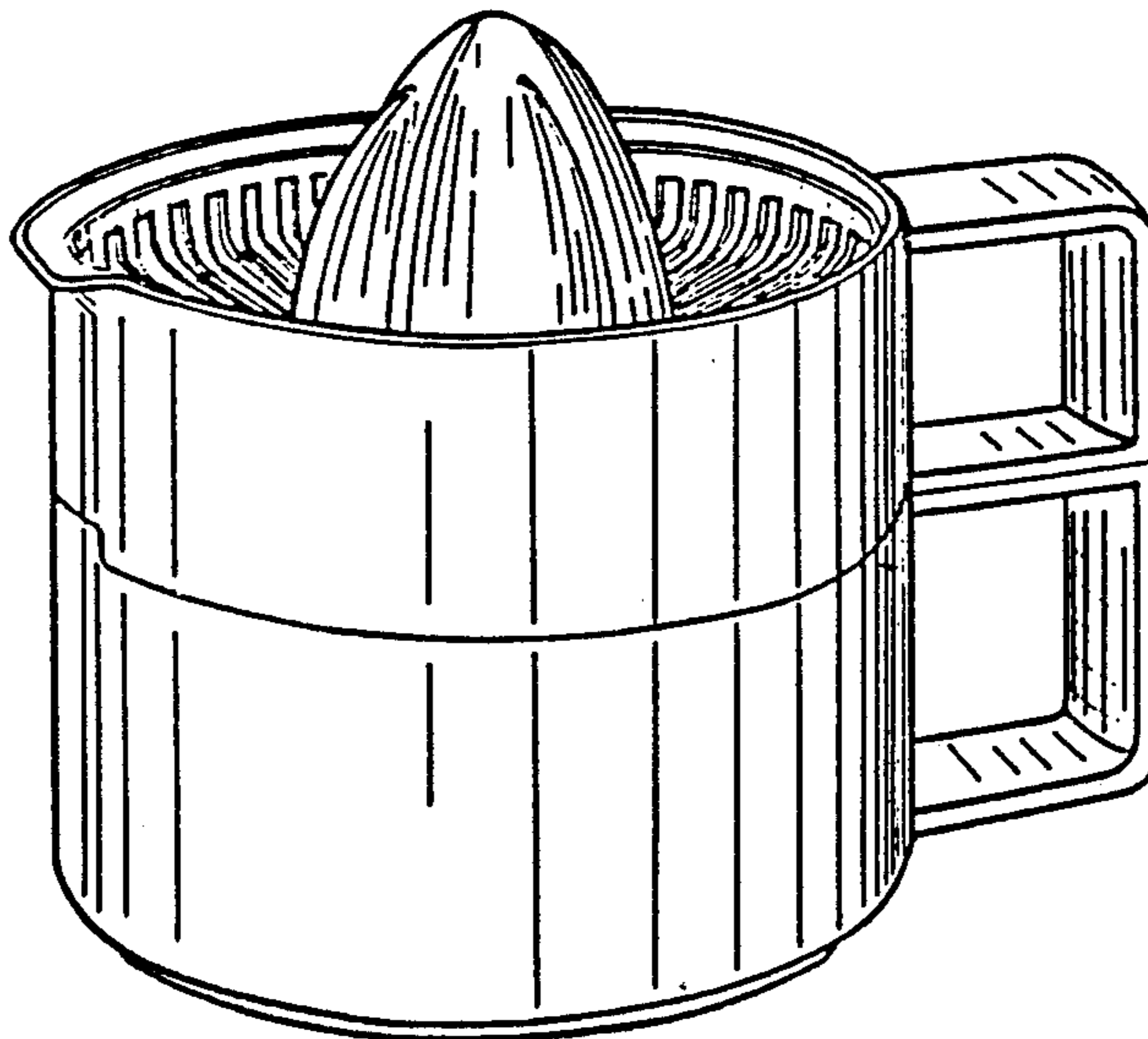
DESCRIPTION

FIG. 1 is a perspective view of the fruit squeezer, showing my design, the opposite side being a mirror image thereof.

FIG. 2 is a top plan view thereof; and

FIG. 3 is a bottom plan view thereof.

FIG. 4 is a bottom plan view of the same fruit squeezer.



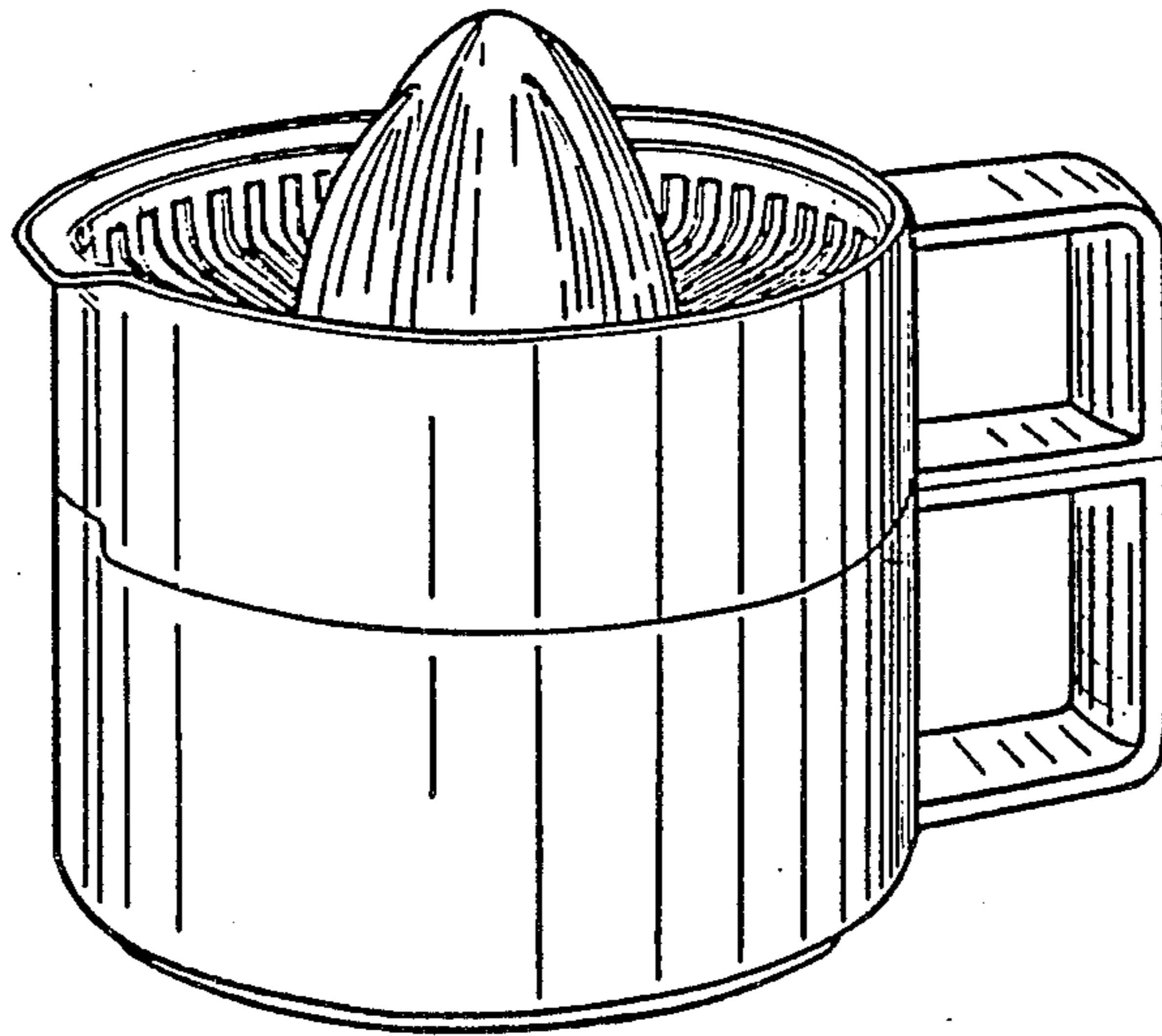


FIG. 1

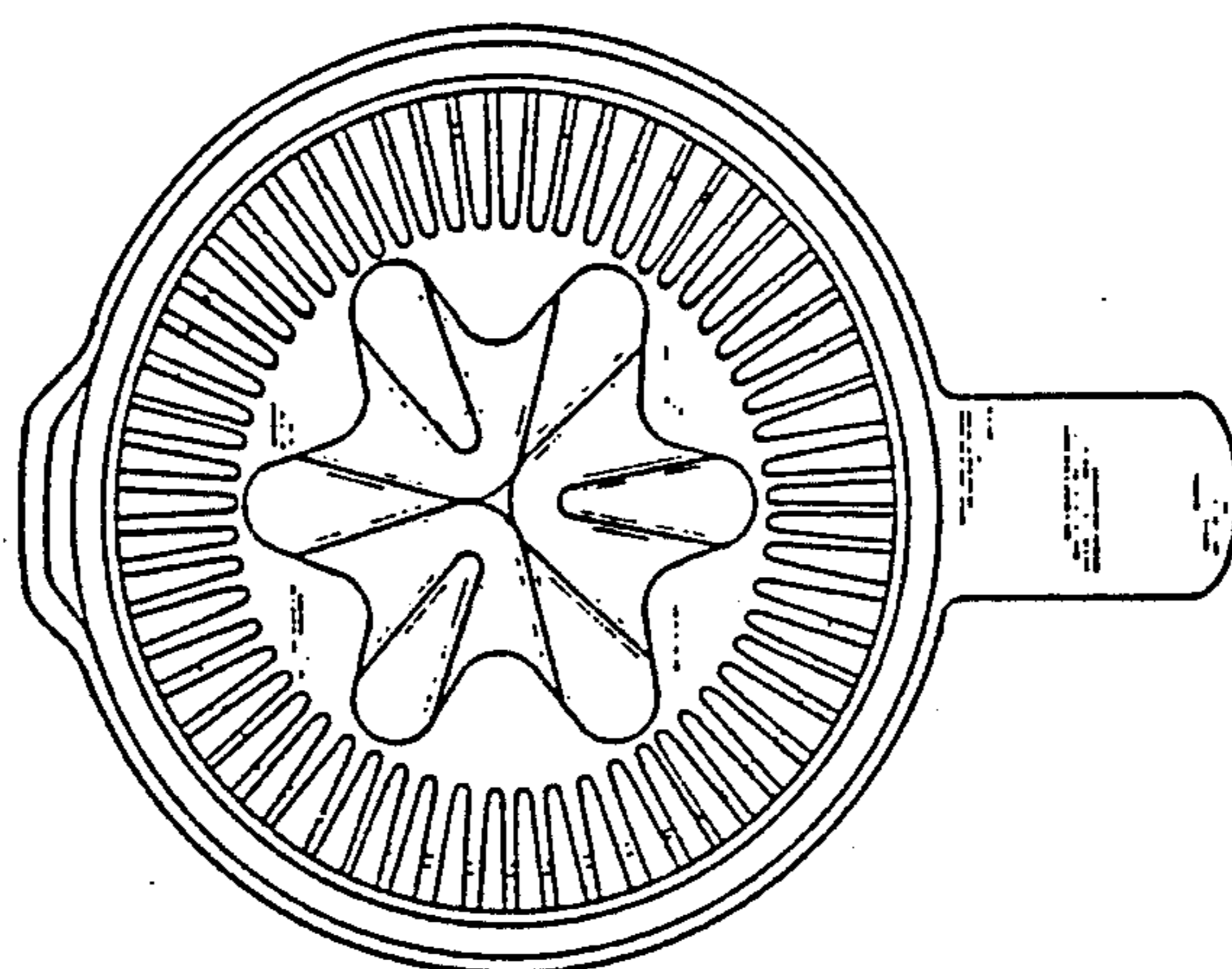


FIG. 2

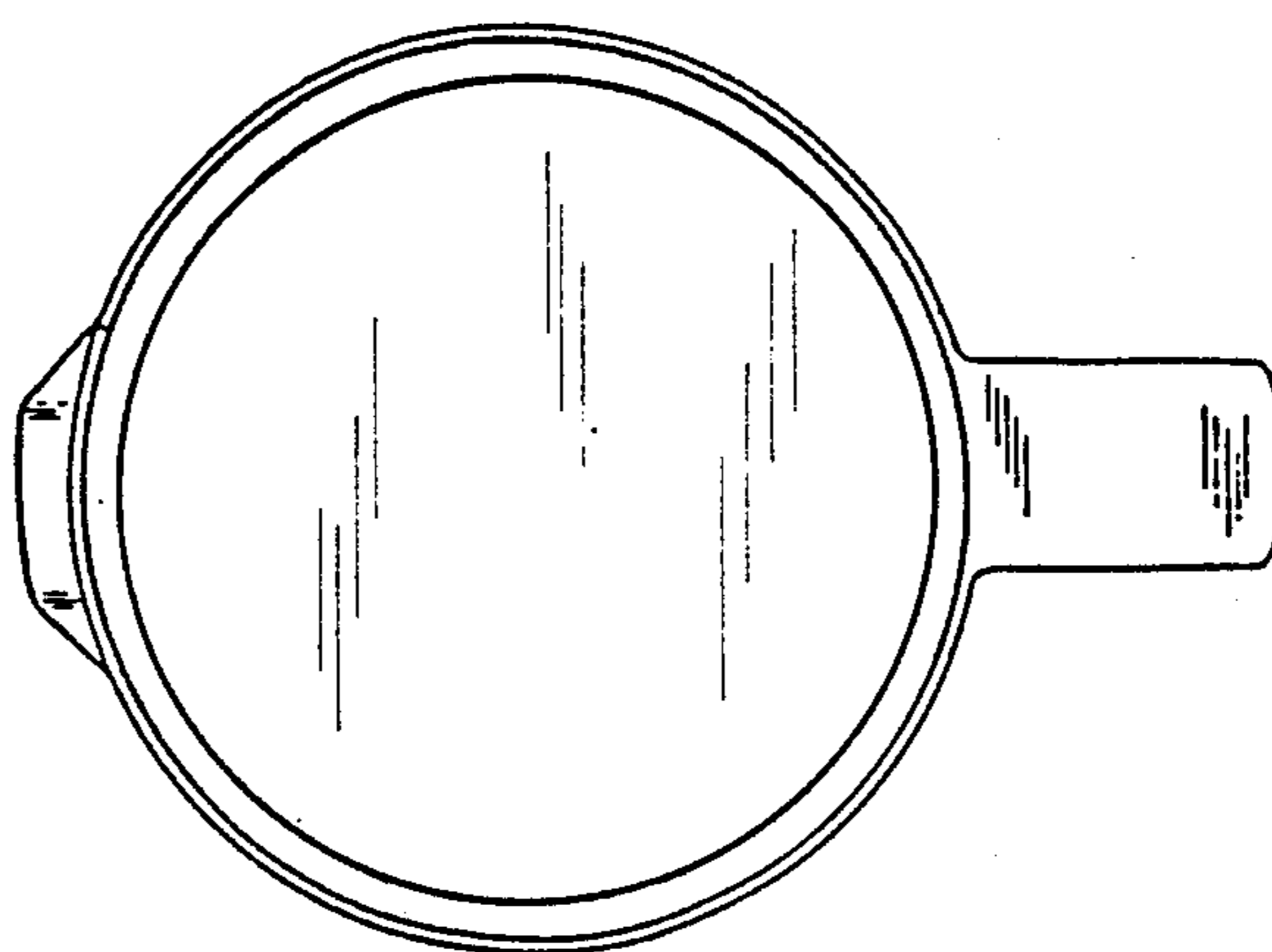


FIG. 3