

[54] SIDE TABLE

- [75] Inventor: Donald B. Colby, Sarasota, Fla.
- [73] Assignee: Tropitone Furniture Company, Inc., Sarasota, Fla.
- [**] Term: 14 Years
- [21] Appl. No.: 857,531
- [22] Filed: Apr. 29, 1986
- [52] U.S. Cl. D6/487; D6/485; D6/490
- [58] Field of Search D6/371, 372, 379, 449, D6/480, 482, 485, 487, 490

[56] References Cited

U.S. PATENT DOCUMENTS

- D. 224,636 8/1972 Ball D6/487 X
- D. 233,293 10/1974 Rosen D6/484
- D. 258,033 1/1981 Mioni D6/484
- D. 270,212 8/1983 Secon D6/361
- D. 276,767 12/1984 Livi D6/355 X

OTHER PUBLICATIONS

Industrial Design, Dec. 1969, p. 58, table right rear center.
Primary Examiner—Bruce W. Dunkins
Attorney, Agent, or Firm—Mason, Fenwick & Lawrence

[57] CLAIM

The ornamental design for a side table, substantially as shown and described.

DESCRIPTION

FIG. 1 is a perspective view of a side table showing my new design;
FIG. 2 is a top plan view;
FIG. 3 is an elevational view showing one of the two identical sides;
FIG. 4 is an elevational view showing one of the two identical ends;
FIG. 5 is a bottom plan view; and
FIG. 6 is a sectional view taken along the lines 6—6 of FIG. 1.

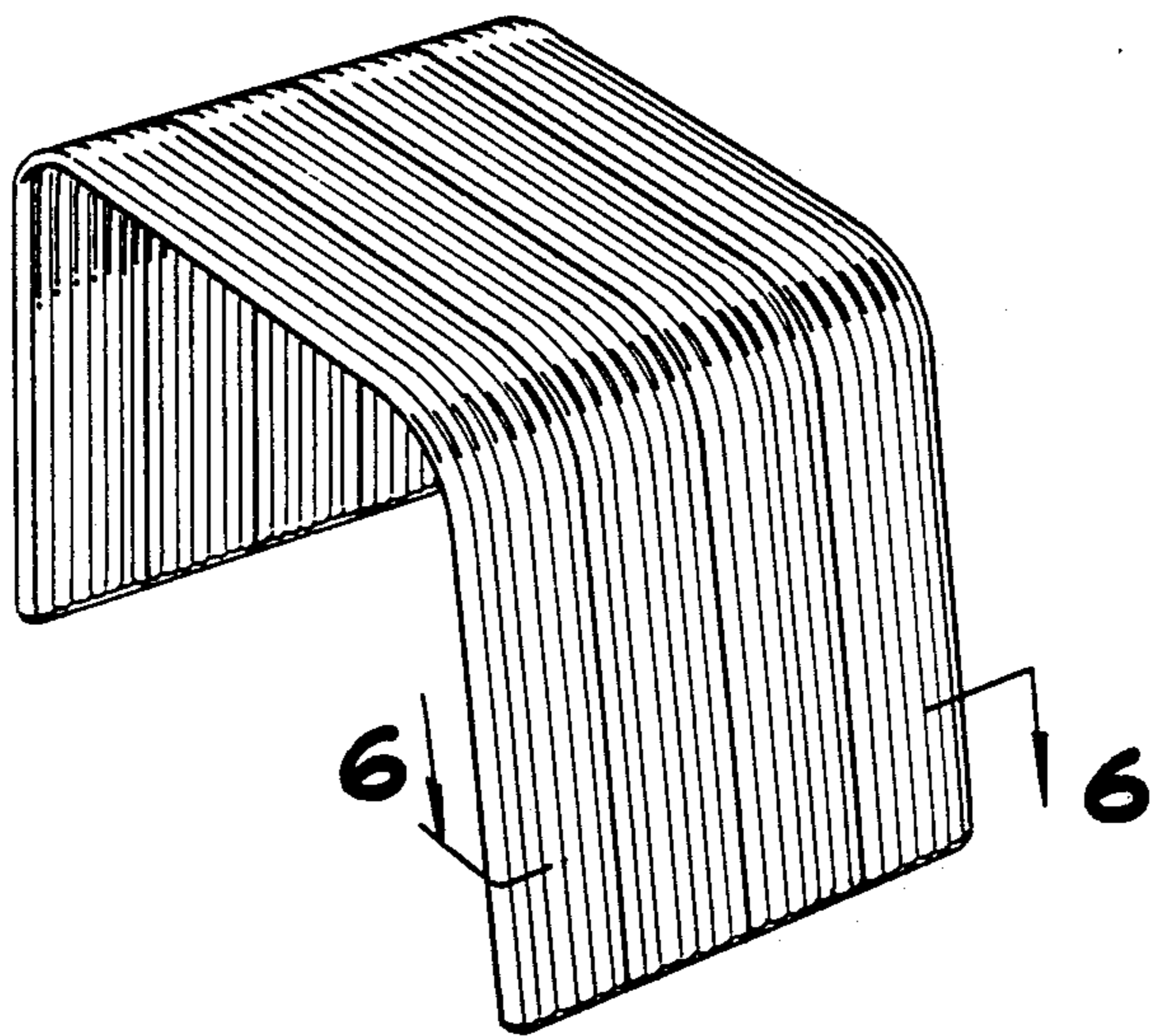


FIG-1

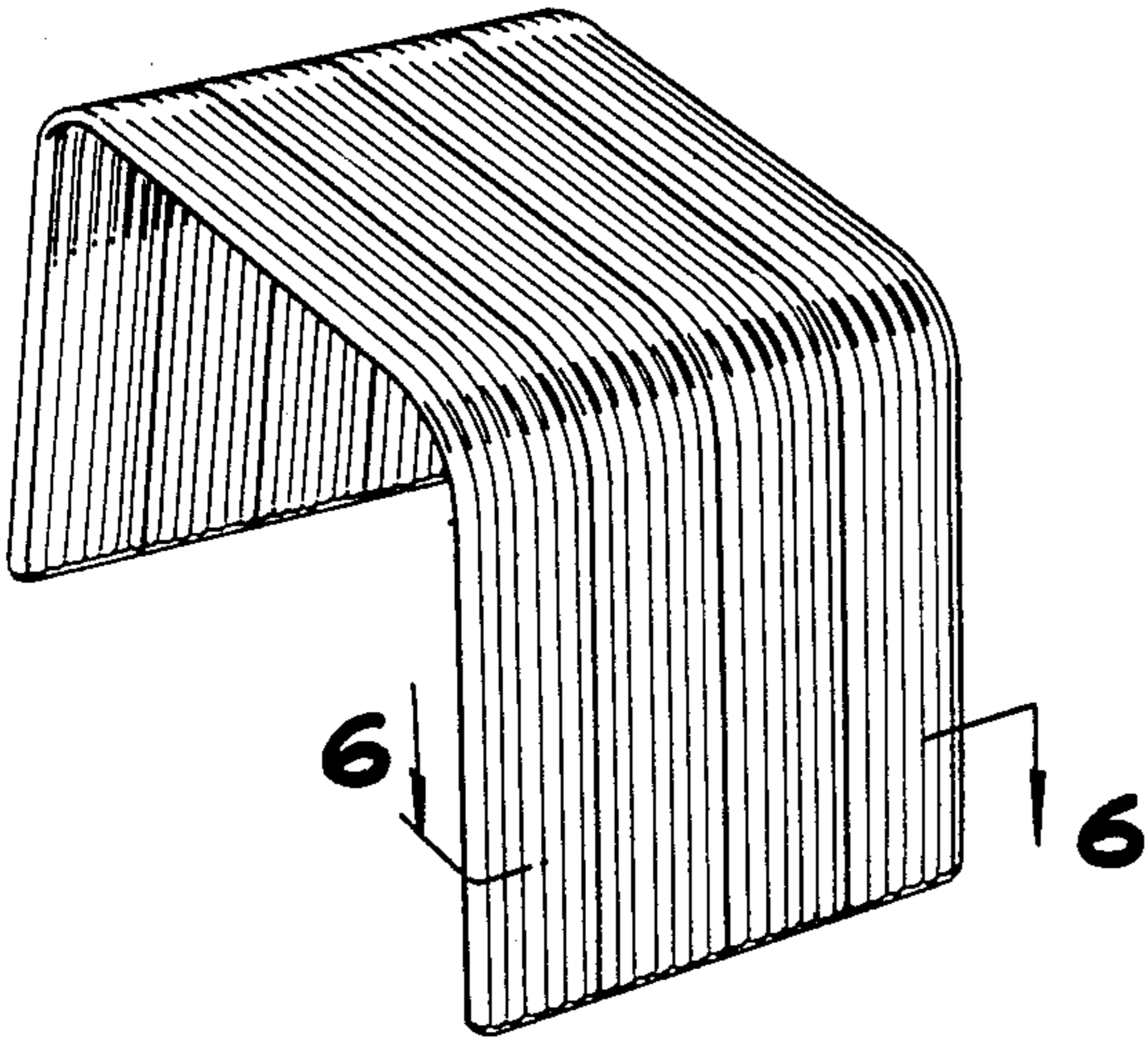


FIG-2

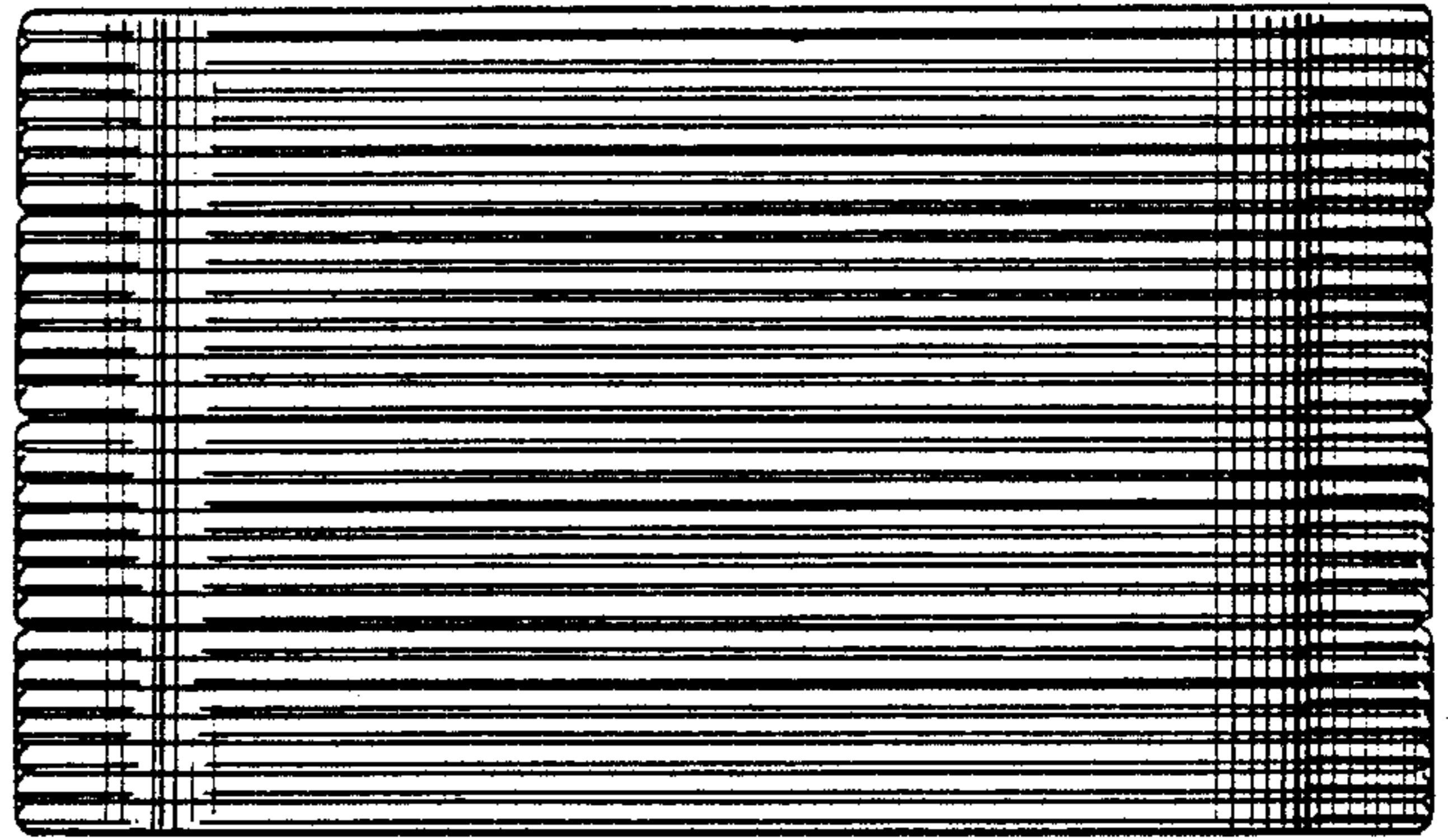


FIG-3

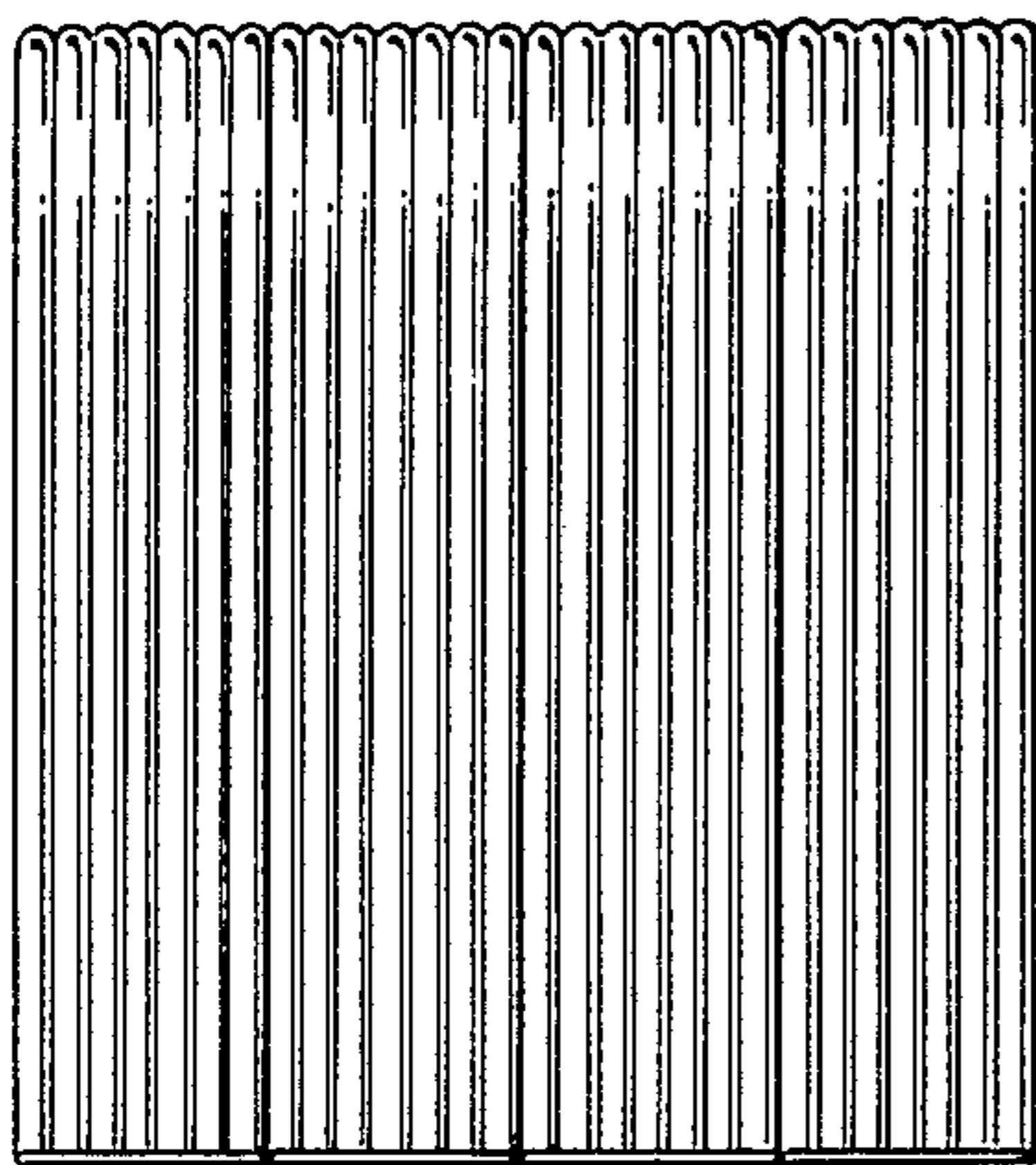
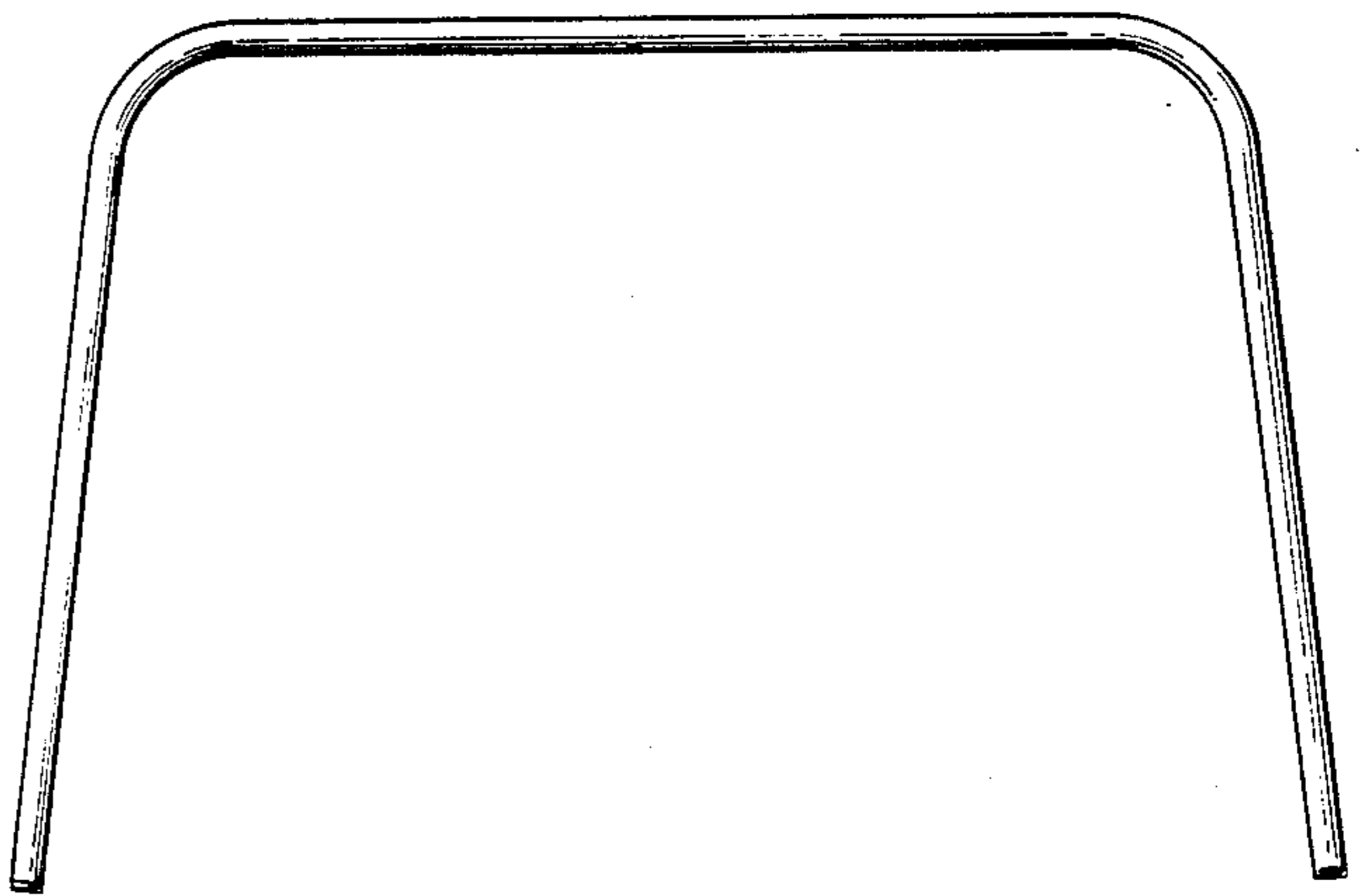


FIG-4

FIG-5

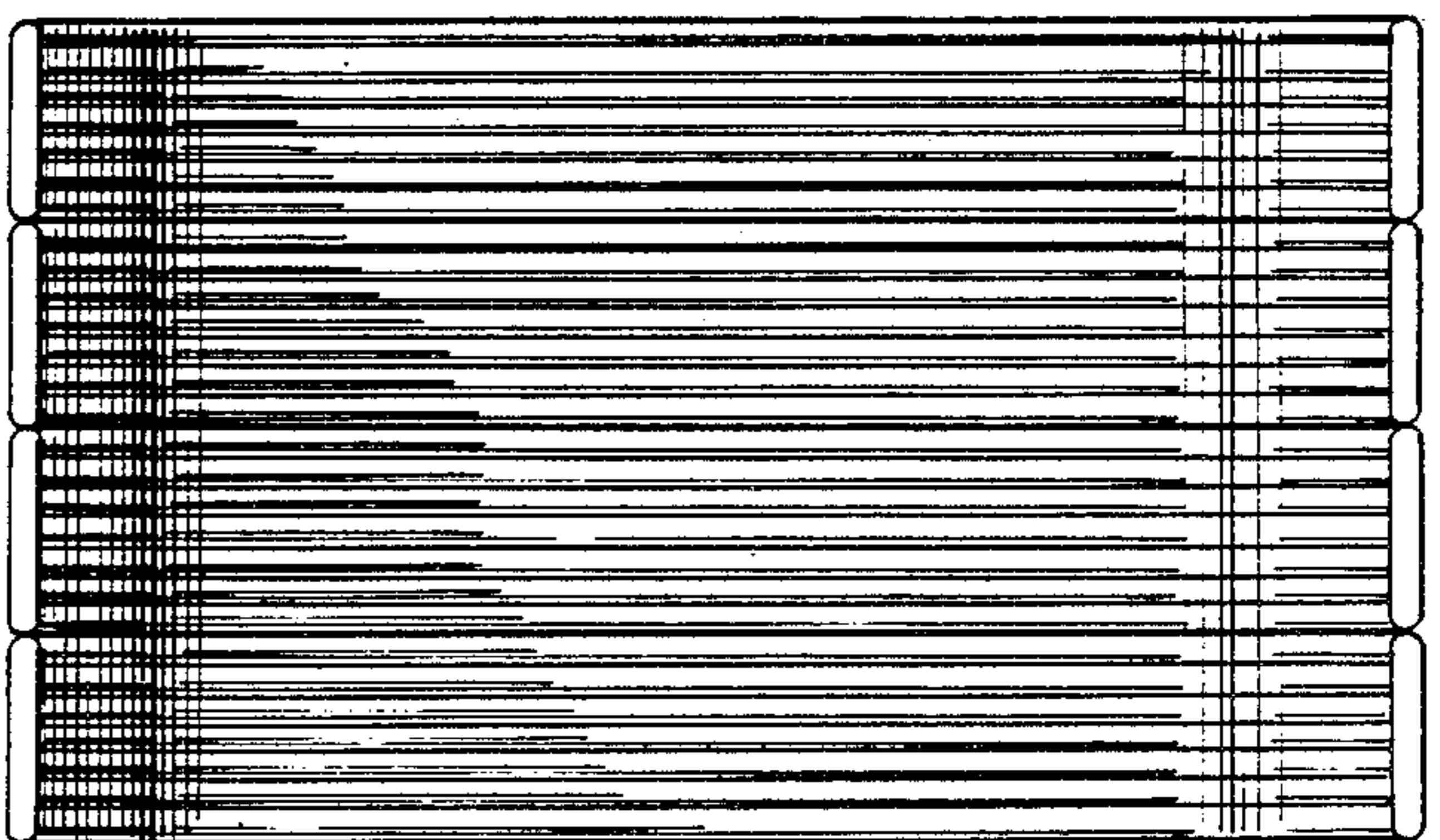


FIG-6

