

[54] RACK FOR SUPPORTING A PLURALITY OF HORIZONTALLY ORIENTED RINGS

[76] Inventors: Marvin J. Baldree, 810 W. Shady Grove, Grand Prairie, Tex. 75050; Raymon D. Utz, 309 Sherry La., Hurst, Tex. 76053

[\*\*] Term: 14 Years

[21] Appl. No.: 811,687

[22] Filed: Dec. 20, 1985

[52] U.S. Cl. .... D6/462

[58] Field of Search ..... D6/449, 462, 463, 464; D7/72; 211/42, 43, 49.1, 71

[56] References Cited

U.S. PATENT DOCUMENTS

- D. 223,616 5/1972 Woods ..... D6/462
- D. 241,197 8/1976 Covell et al. .... D6/464
- D. 273,929 5/1984 Rolli, Jr. .... D7/72 X
- D. 279,440 7/1985 Evenson ..... D6/462
- D. 283,472 4/1986 Wattles ..... D6/463
- D. 285,016 8/1986 Claydon ..... D6/449 X

2,322,748 6/1943 Shaw et al. .... 211/71

FOREIGN PATENT DOCUMENTS

- 808992 2/1959 United Kingdom ..... 211/49.1 X
- 923158 4/1963 United Kingdom ..... 211/74 X

Primary Examiner—Carmen H. Vales  
Attorney, Agent, or Firm—Charles W. McHugh

[57] CLAIM

The ornamental design for a rack for supporting a plurality of horizontally oriented rings, as shown and described.

DESCRIPTION

FIG. 1 is a perspective view of the rack for supporting a plurality of horizontally oriented rings showing our new design.

FIG. 2 is a front elevational view, the rear view being identical thereto;

FIG. 3 is a side elevational view, the opposite side being identical thereto;

FIG. 4 is a bottom plan view thereof; and

FIG. 5 is a top plan view thereof.

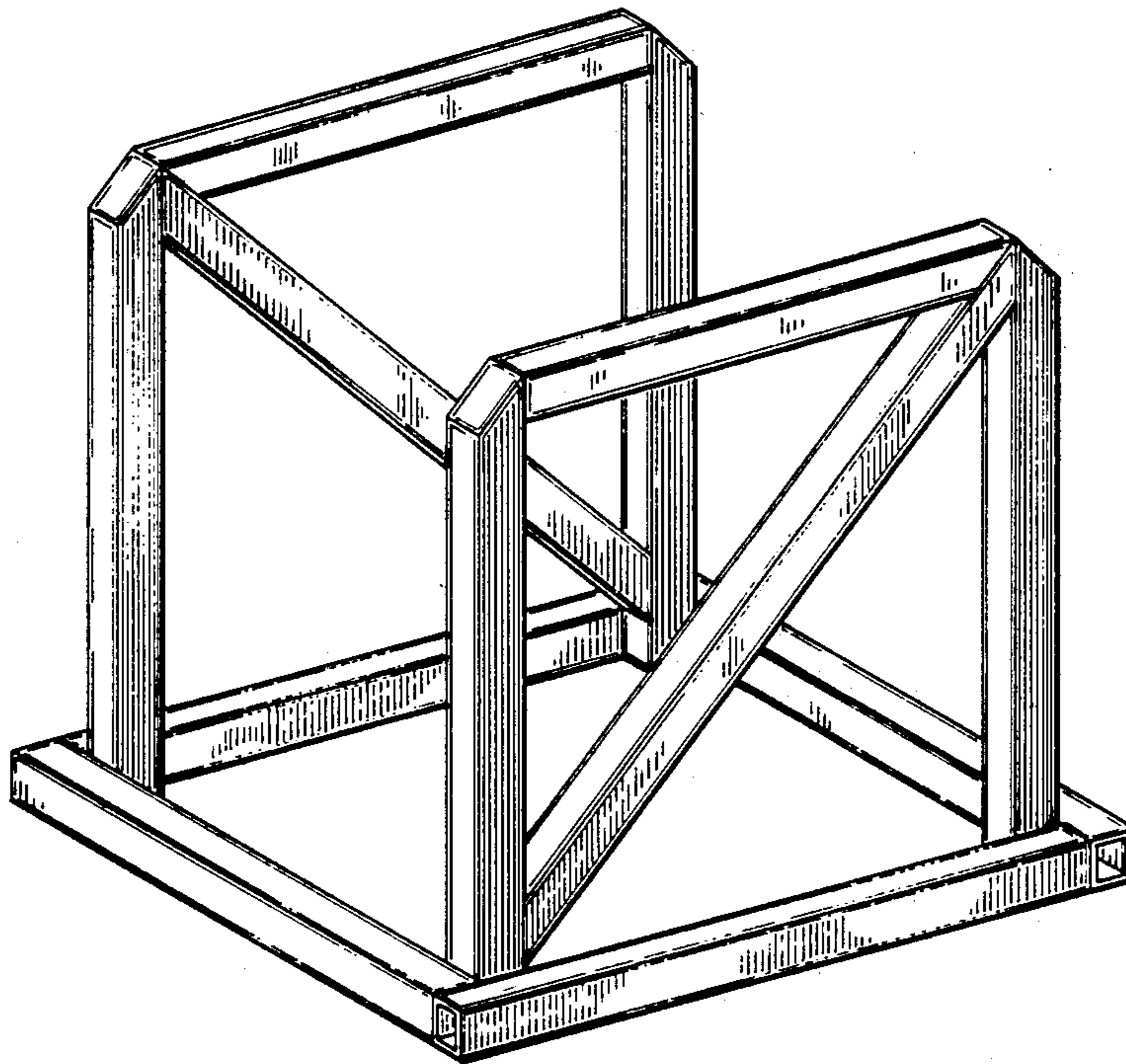


FIG. 1

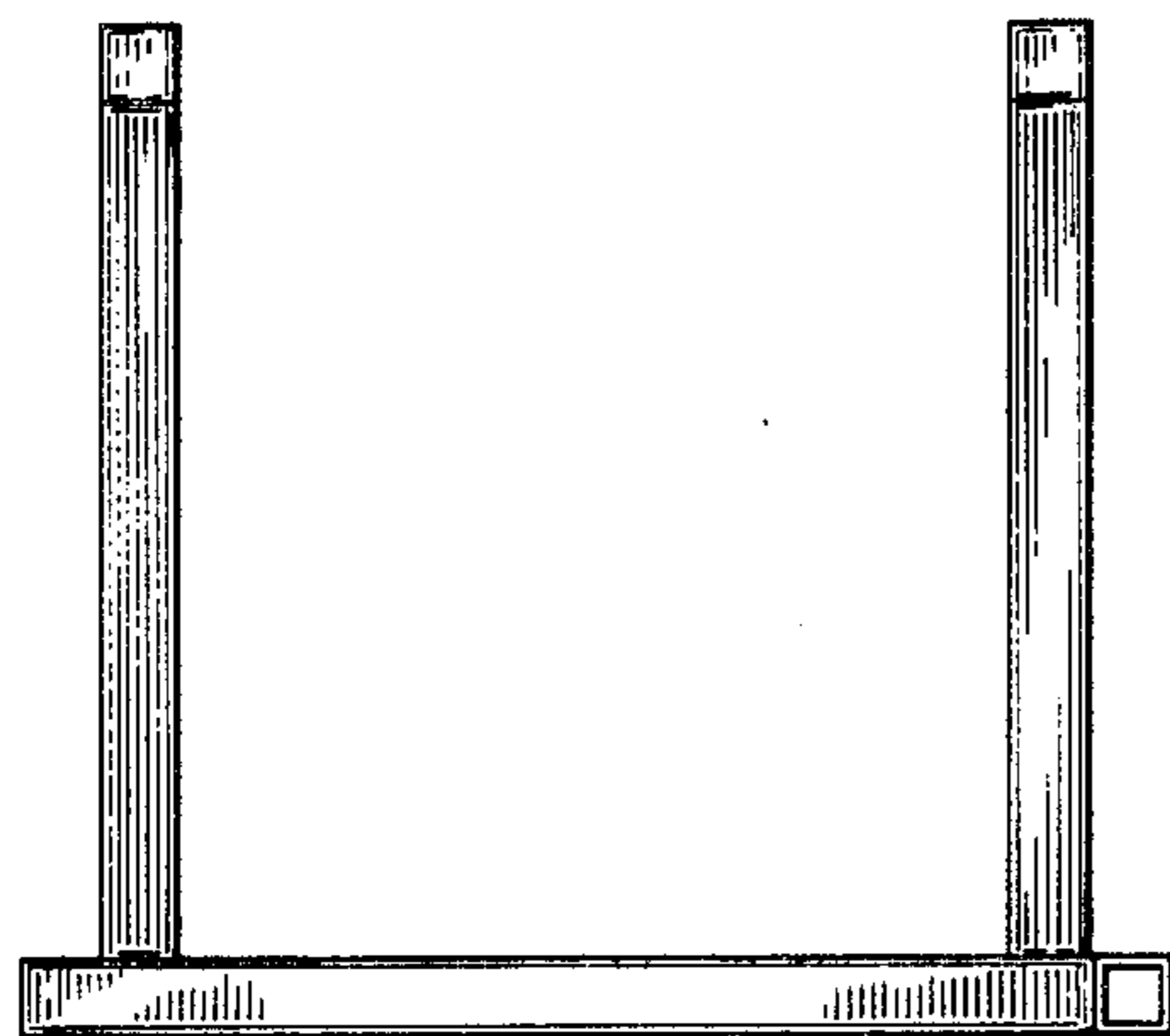
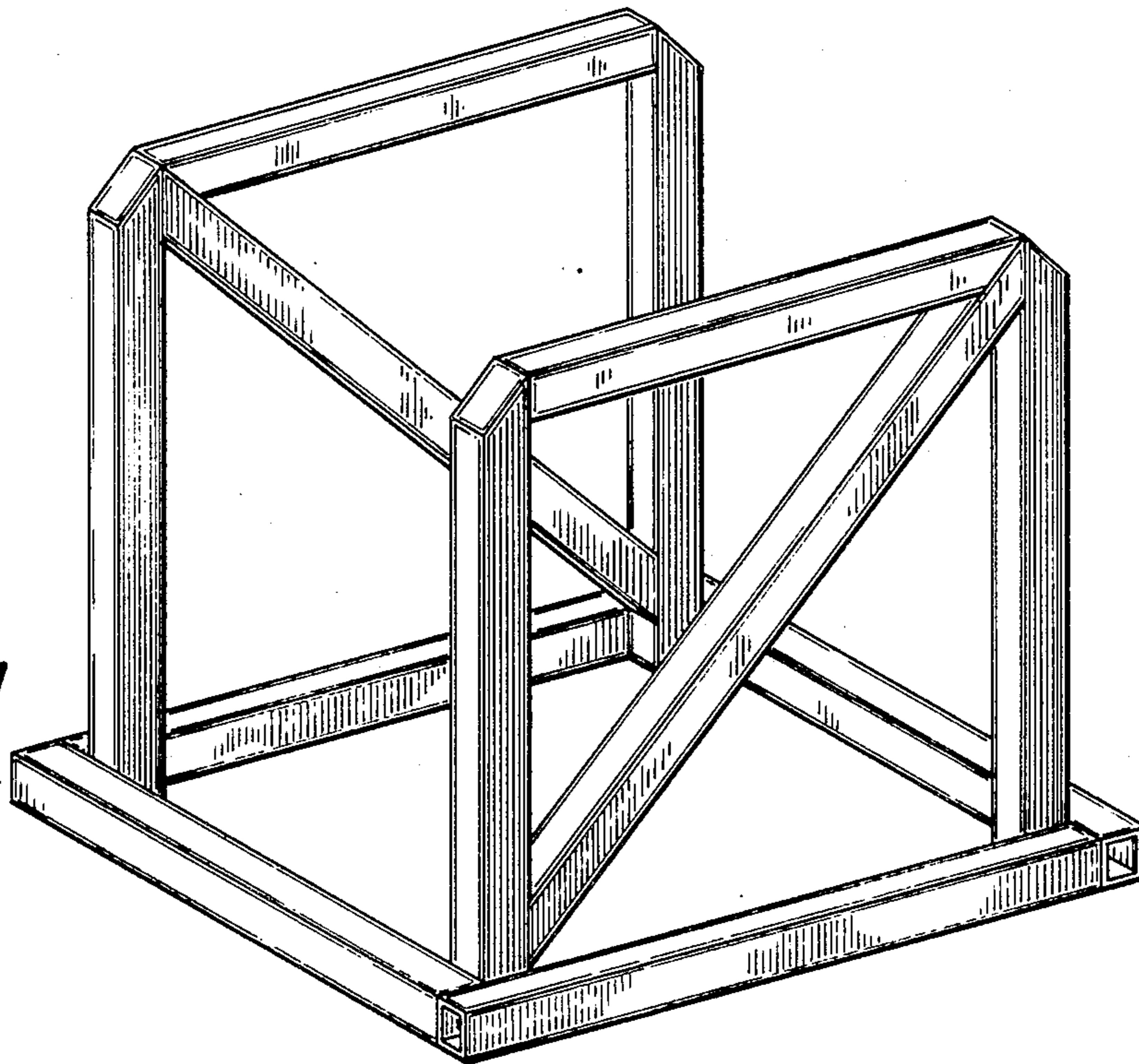


FIG. 2

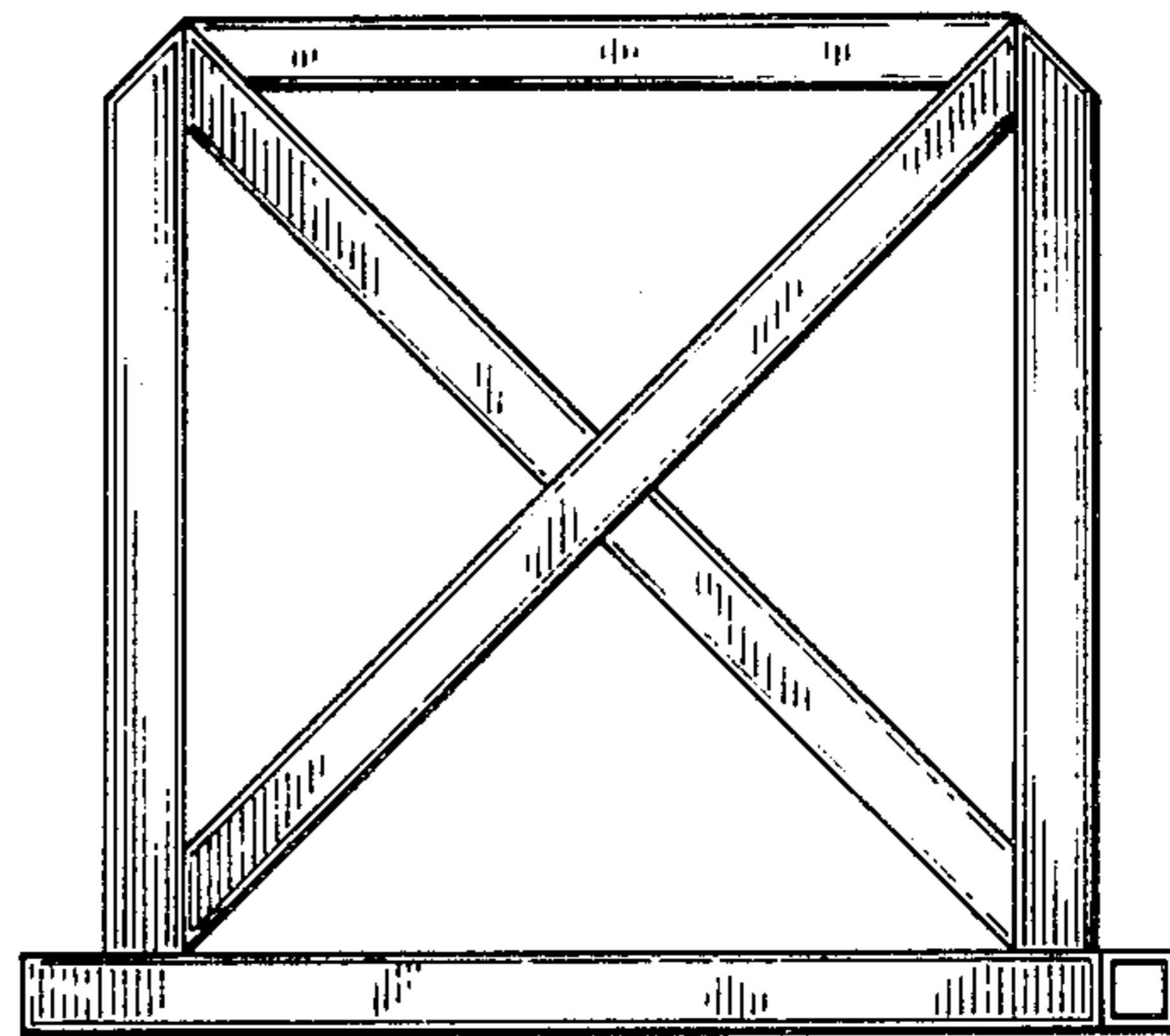


FIG. 3

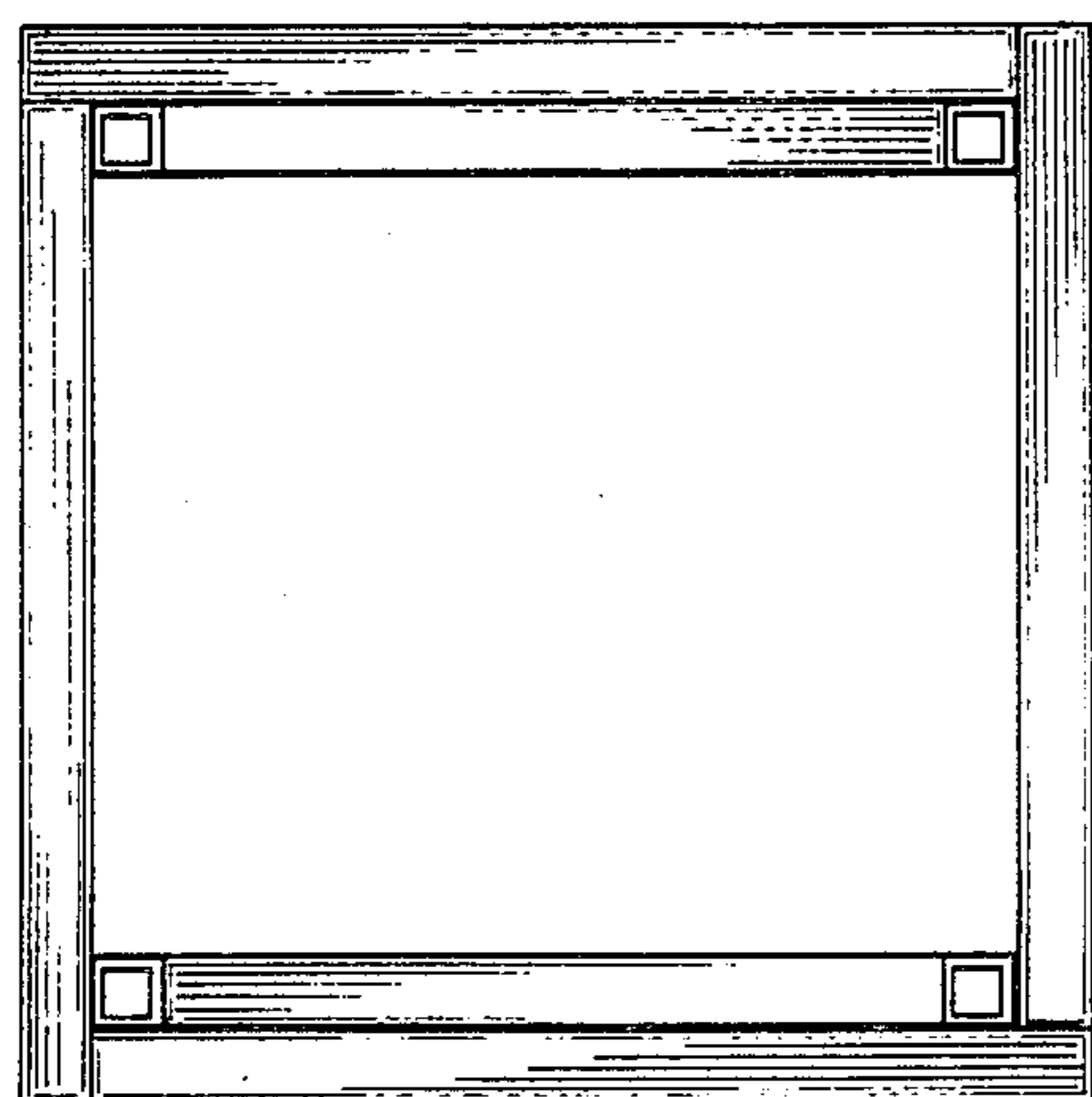


FIG. 4

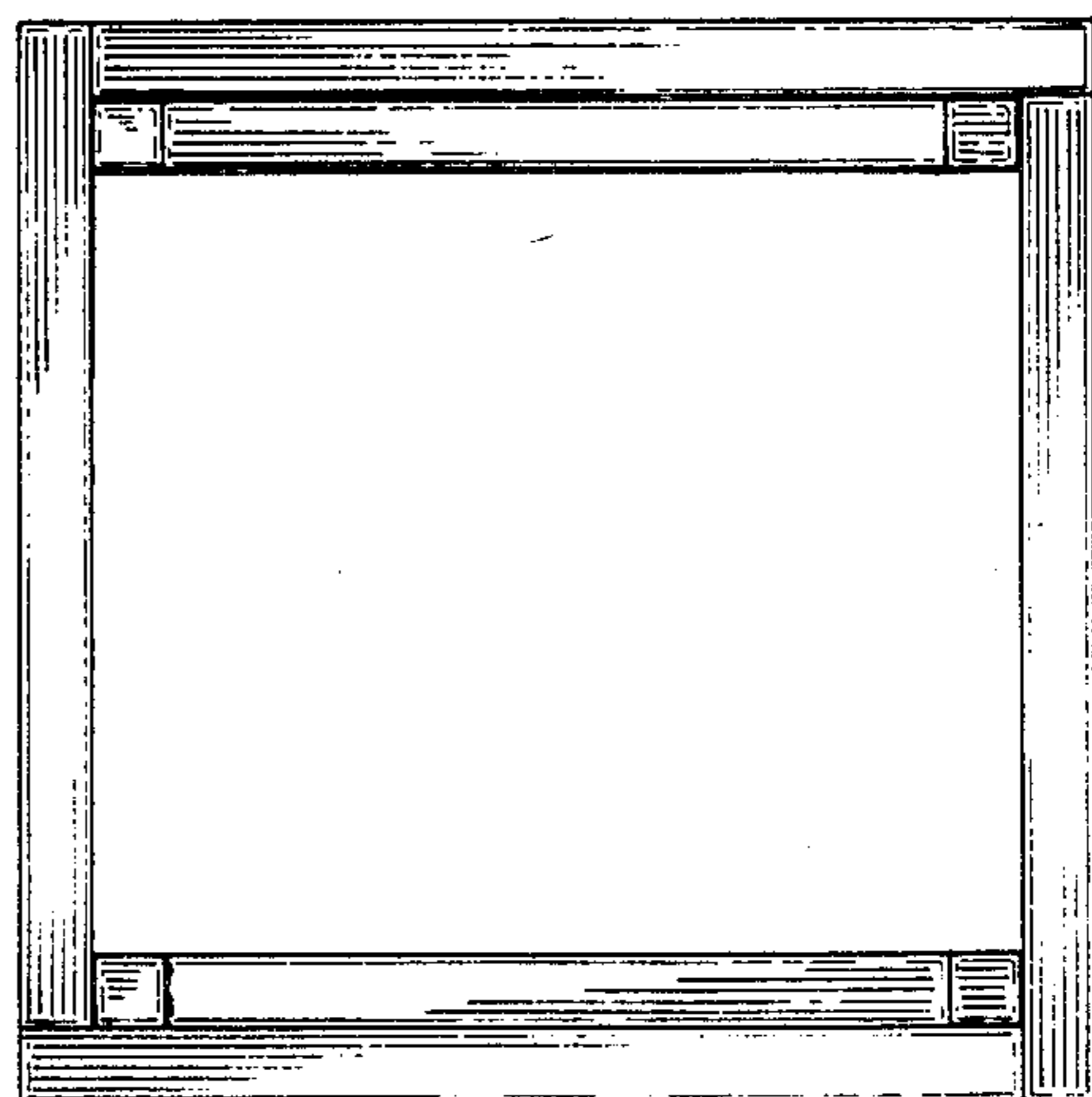


FIG. 5