

[54] ROTATABLE MERCHANDISING DISPLAY STAND

[75] Inventor: Stephen N. Hardy, Copley, Ohio

[73] Assignee: American Greetings Corporation, Cleveland, Ohio

[**] Term: 14 Years

[21] Appl. No.: 776,635

[22] Filed: Sep. 16, 1985

[52] U.S. Cl. D6/457; D6/461

[58] Field of Search D6/455, 457, 458, 459, D6/460, 461; 211/13, 58, 56, 131; 40/124, 124.2, 124.4

[56] References Cited

U.S. PATENT DOCUMENTS

- D. 171,285 1/1954 Loeb D6/457
- D. 180,367 5/1957 Kahn et al. D6/457
- D. 181,349 11/1957 Ferrill D6/459
- D. 206,201 11/1966 Kingsford et al. D6/457

- D. 284,818 7/1986 Zaro et al. D6/461
- 1,235,225 7/1917 Miller 211/58
- 2,953,257 9/1960 McNeill 211/131
- 2,972,415 2/1961 Rensch D6/461 X

Primary Examiner—Carmen H. Vales
Attorney, Agent, or Firm—Baldwin, Egan & Fetzer

[57] CLAIM

The ornamental design for a rotatable merchandising display stand, as shown and described.

DESCRIPTION

FIG. 1 is a perspective view of a rotatable merchandising display stand showing my new design;
 FIG. 2 is a top plan view thereof;
 FIG. 3 is a side elevational view the other sides being identical;
 FIG. 4 is a bottom plan view thereof;
 FIG. 5 is a perspective view with the shaft of the stand rotated 45°; and
 FIG. 6 is an enlarged perspective view of one of the units shown separately for convenience of illustration.

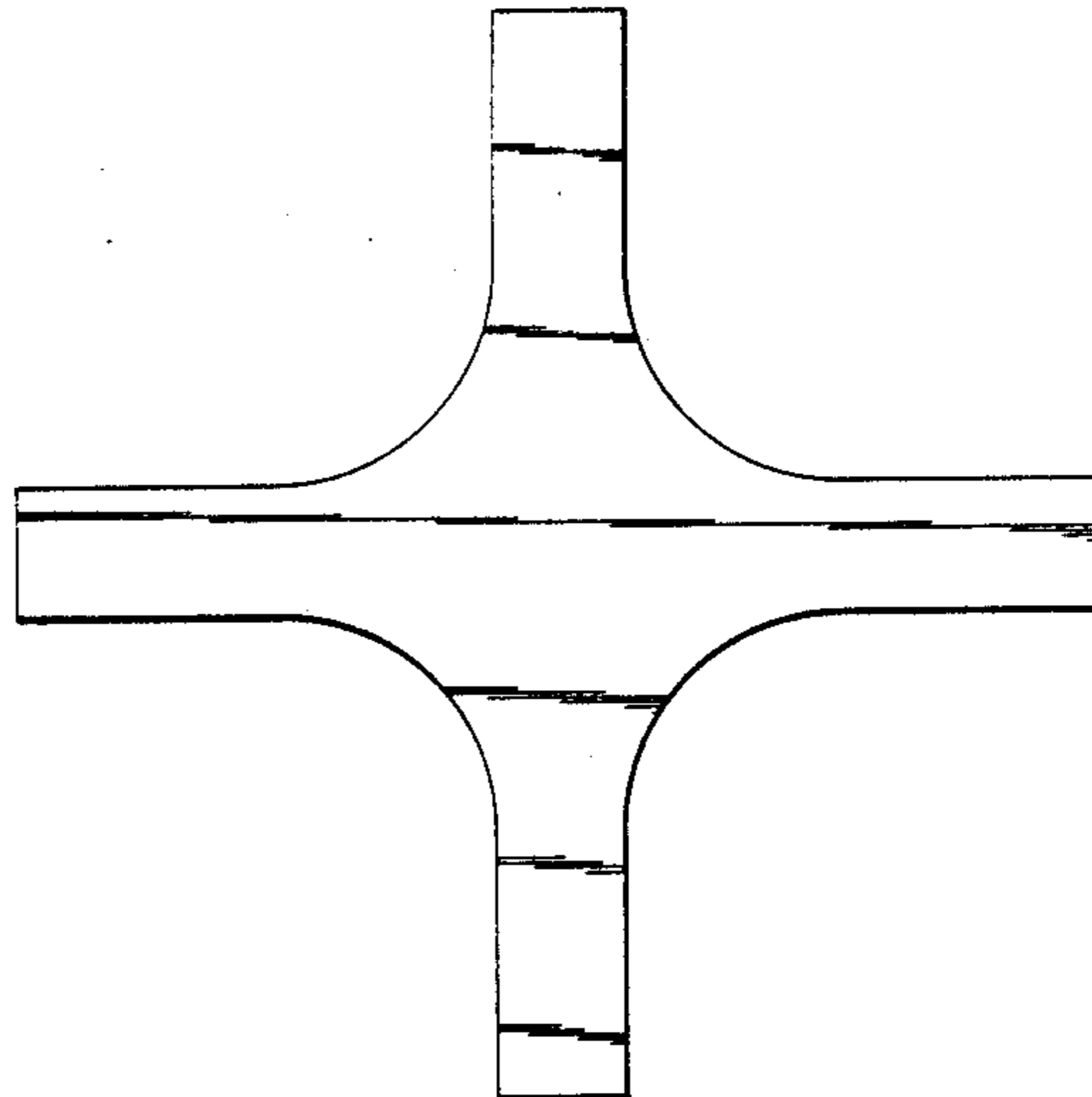
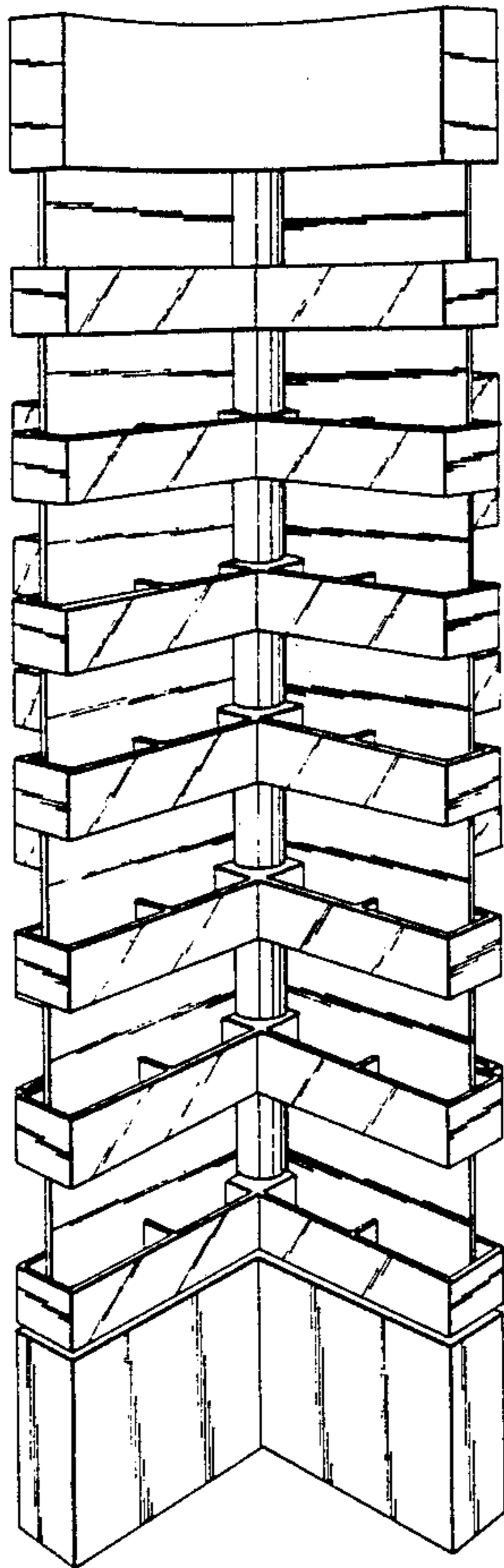


Fig. 1

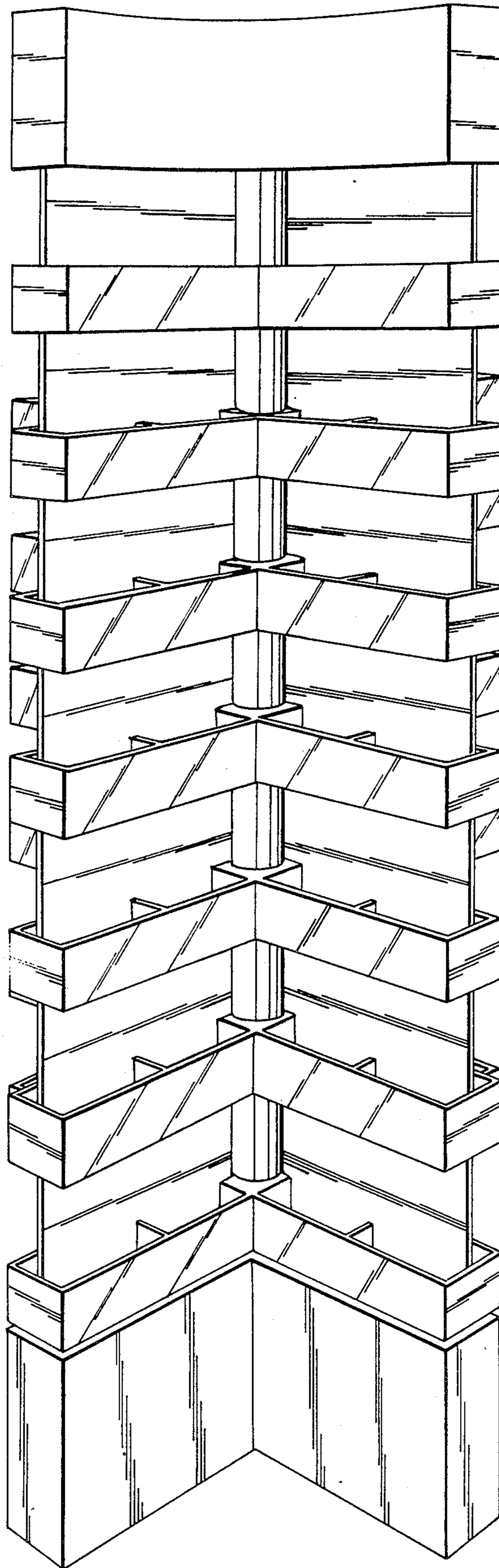


Fig. 2

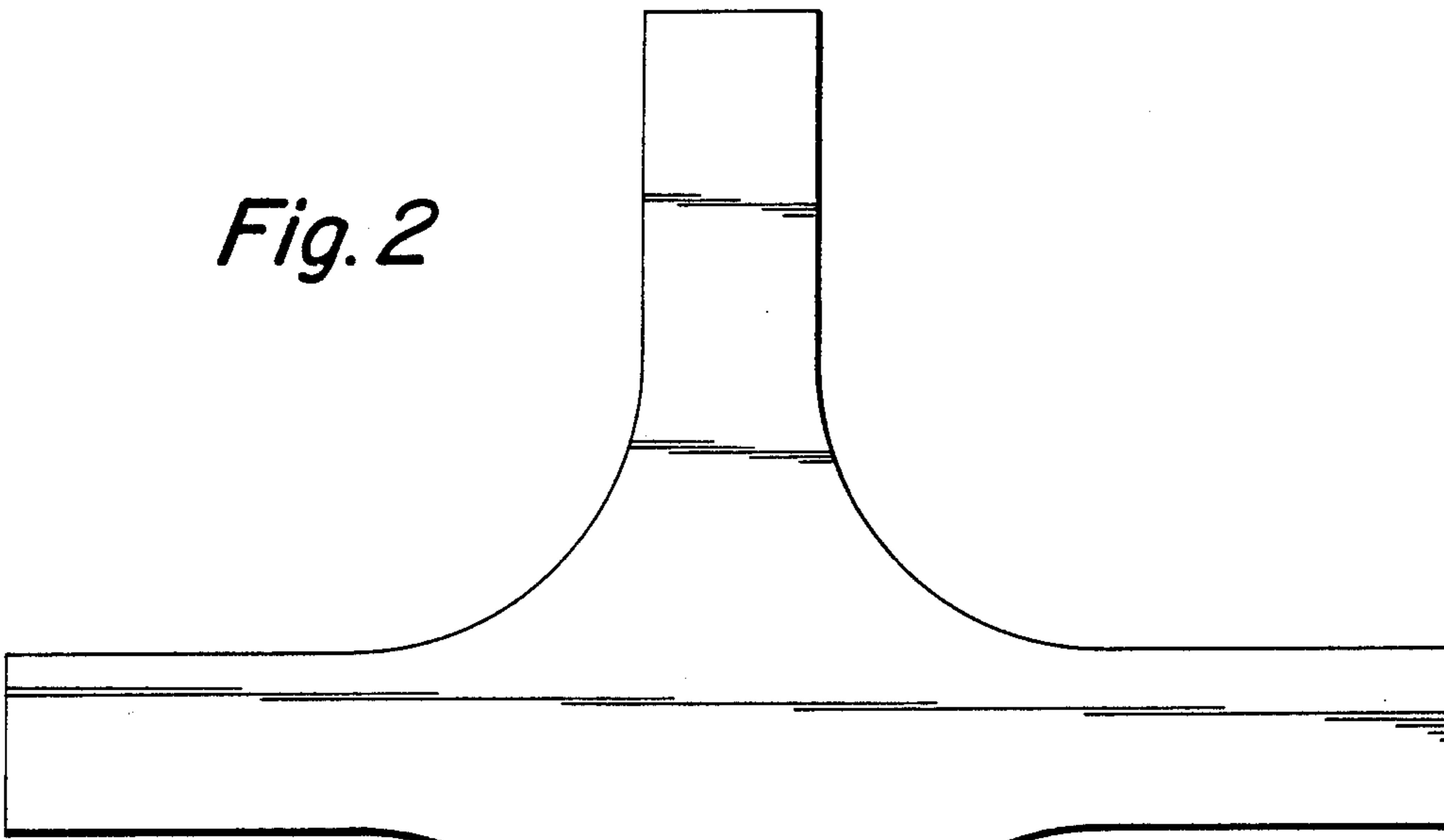
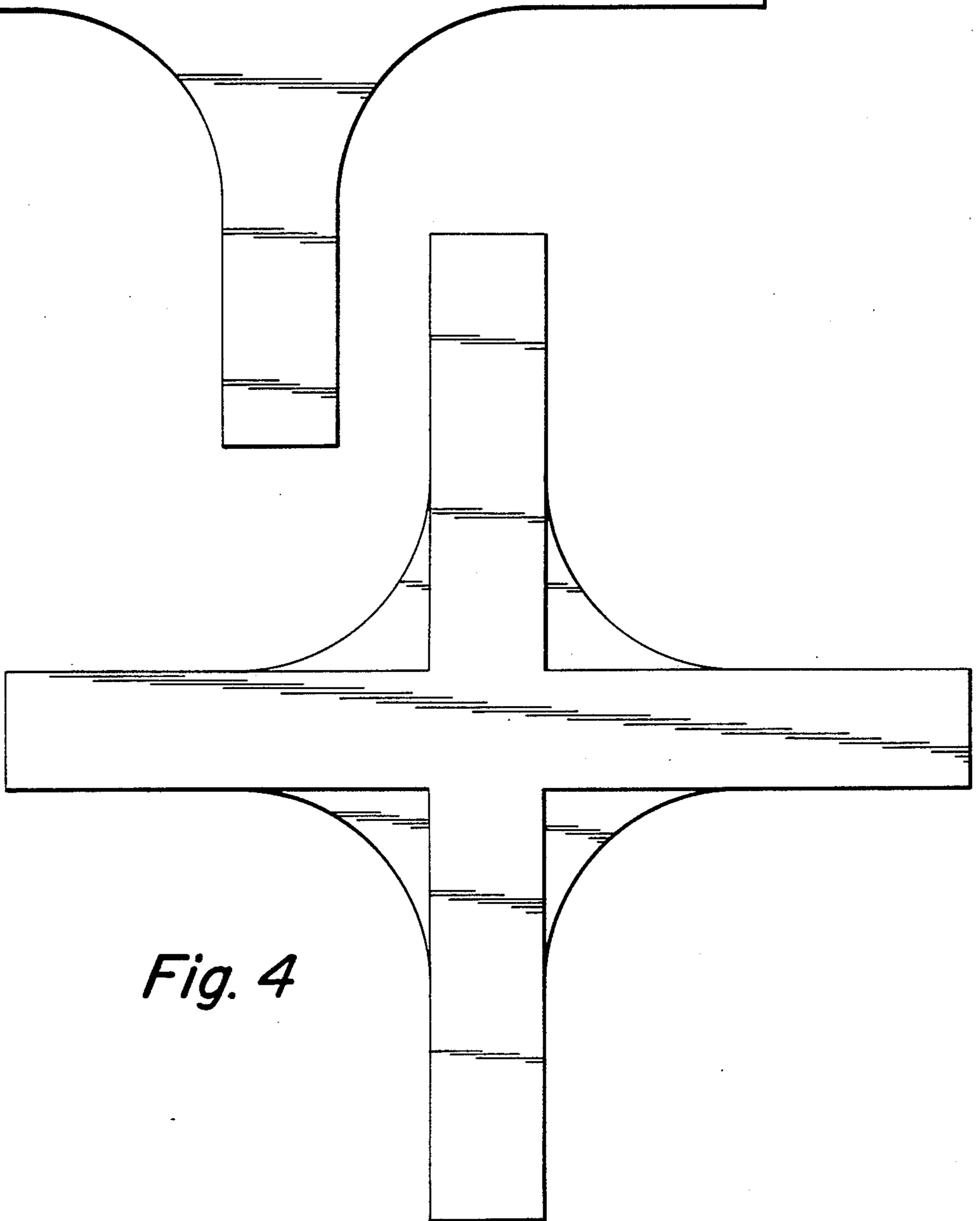


Fig. 4



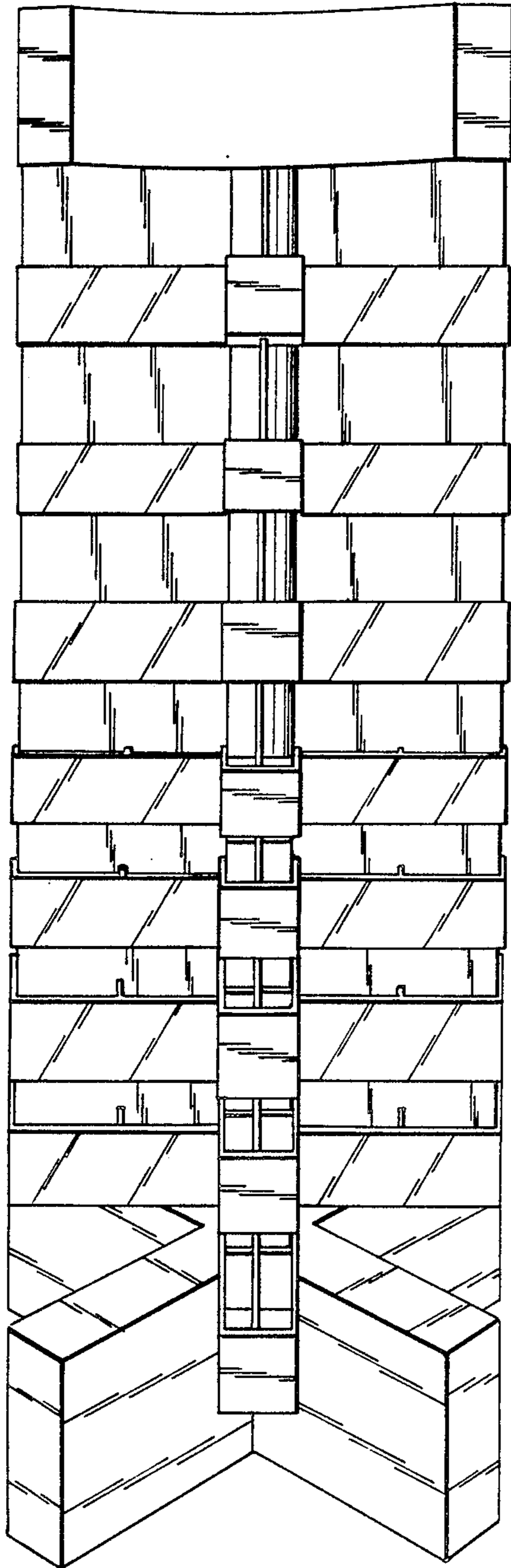


Fig. 5

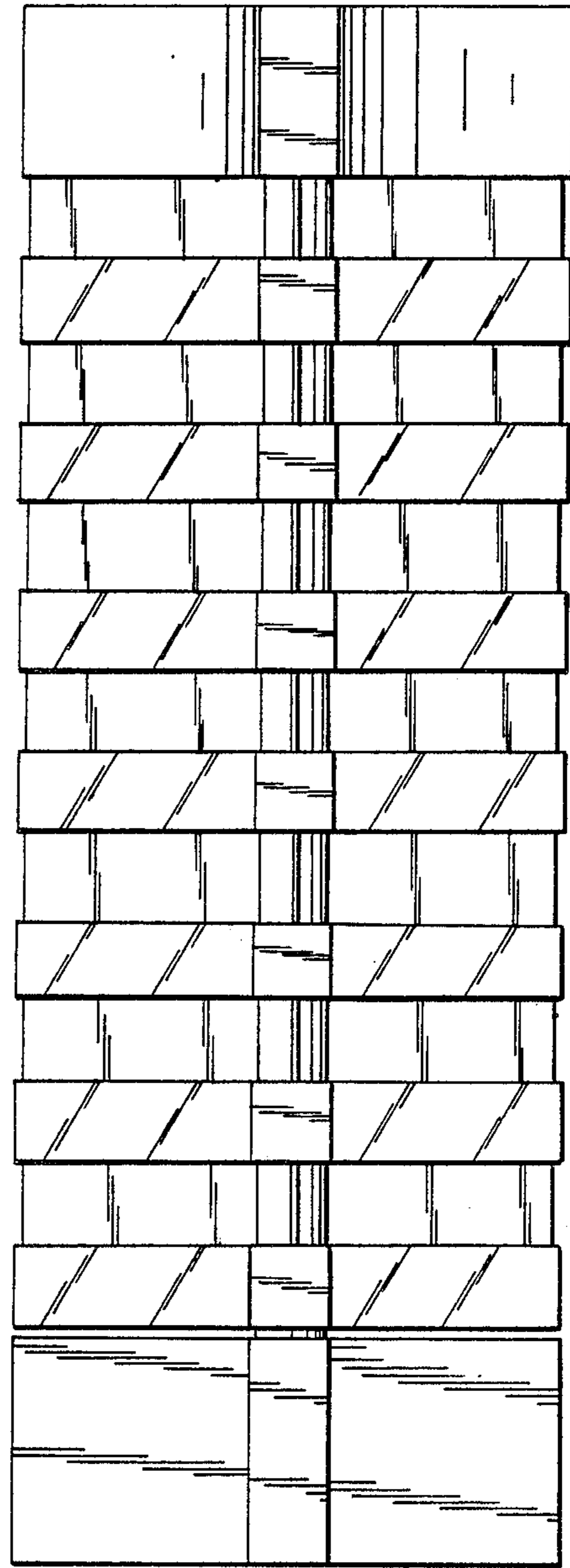


Fig. 3

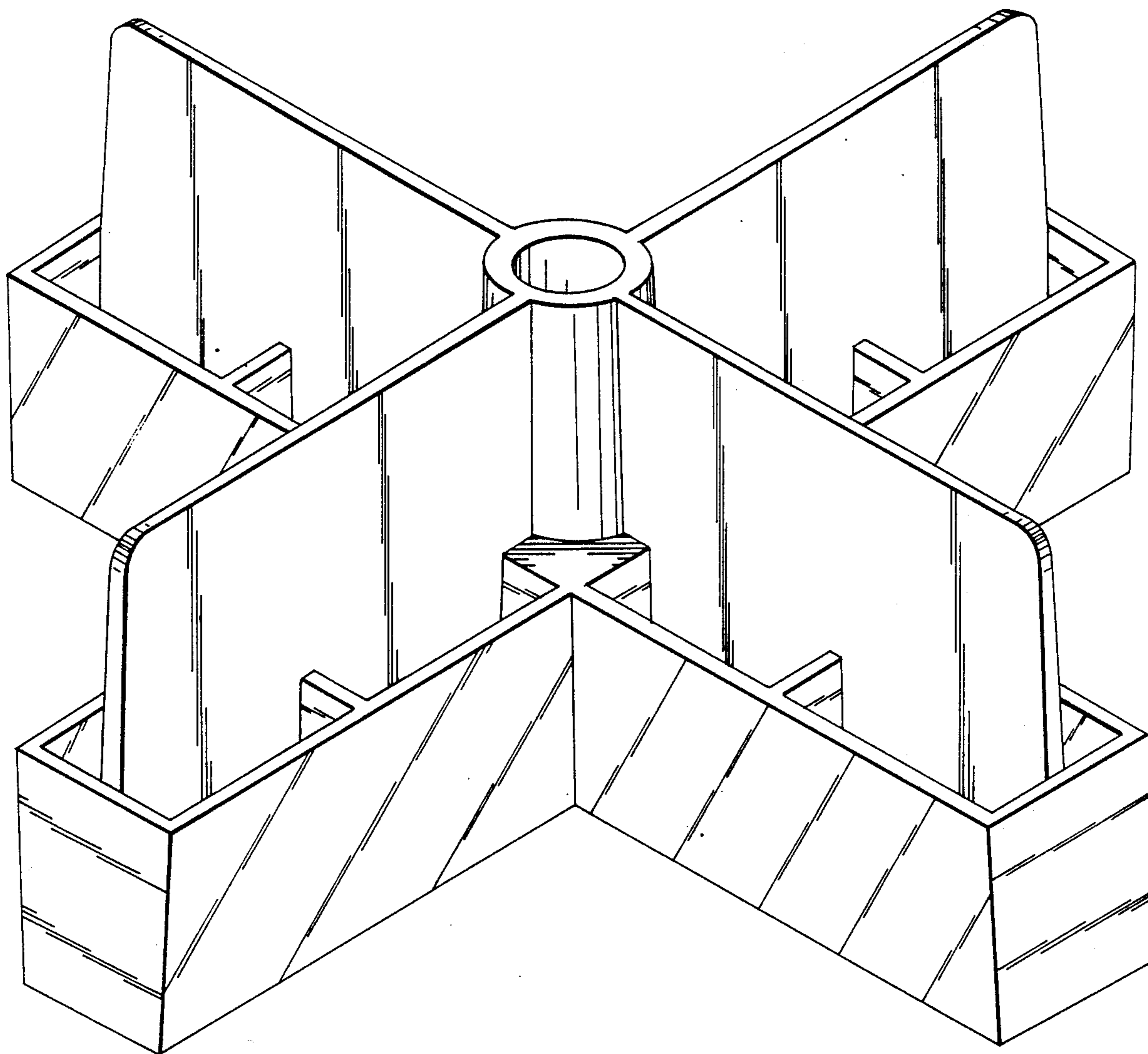


Fig. 6