

- [54] COMPACT TOOTHBRUSH WITH INTERPROXBRUSH AND GUM STIMULATOR
- [76] Inventor: Michiko Kobayashi, 11755 Montana Ave., #201, Los Angeles, Calif. 90049
- [\*\*] Term: 14 Years
- [21] Appl. No.: 913,220
- [22] Filed: Sep. 29, 1986
- [52] U.S. Cl. .... D4/108; D24/10
- [58] Field of Search ..... D4/104-113; 15/159 R, 160, 167 R, 106, 110; 128/62 A; 132/84; D24/10

- [56] **References Cited**
- U.S. PATENT DOCUMENTS**
- D. 279,838 7/1985 Hjelle ..... D4/104
  - D. 281,202 11/1985 Thompson ..... D4/104
  - D. 289,826 5/1987 Tapocik ..... D4/105

Primary Examiner—Catherine E. Kemper

Attorney, Agent, or Firm—Koda and Androlia

[57] CLAIM

The ornamental design for a compact toothbrush with interproxbrush and gum stimulator, substantially as shown and described.

DESCRIPTION

FIG. 1 is a front elevational view of a compact toothbrush with interproxbrush and gum stimulator showing my new design;

FIG. 2 is a rear elevational view thereof;

FIG. 3 is a right side elevational view thereof; and the left side view is identical;

FIG. 4 is a top plan view thereof;

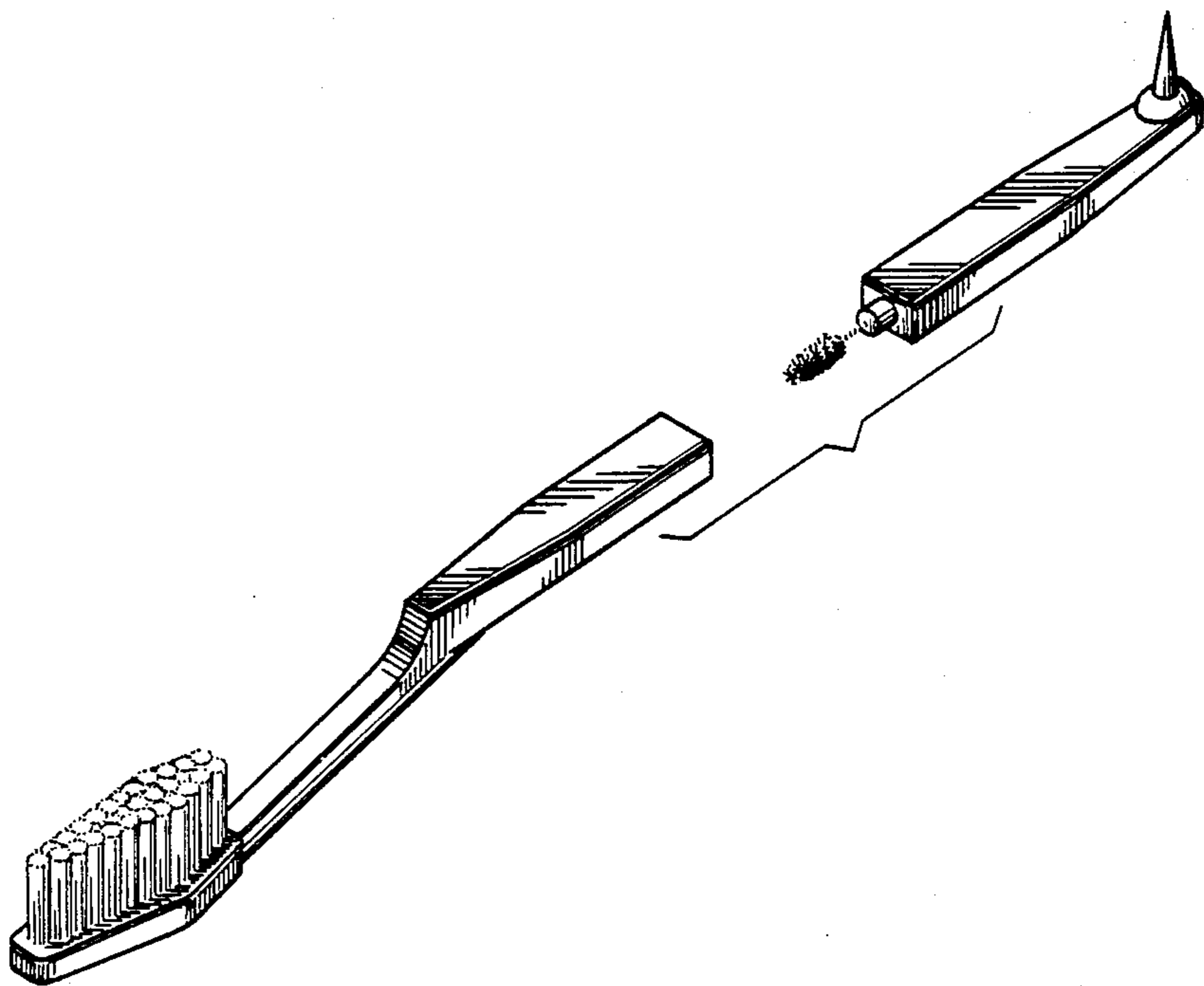
FIG. 5 is a bottom plan view thereof;

FIG. 6 is a perspective view thereof;

FIG. 7 is a front elevational view of the compact toothbrush with interproxbrush and gum stimulator with the interproxbrush and gum stimulator portion separated from toothbrush portion;

FIG. 8 is a right side elevational view thereof, and the left side view is identical; and

FIG. 9 is a perspective view thereof.



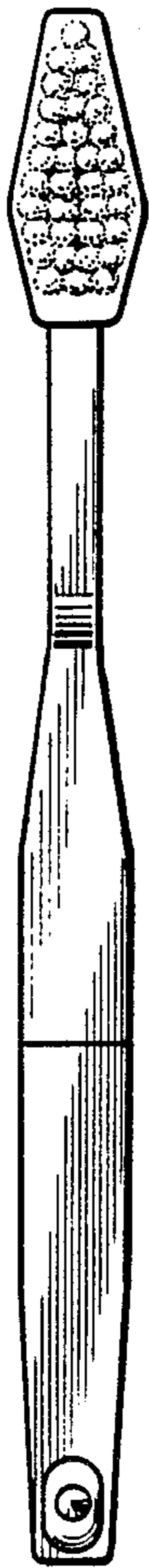


FIG. 1



FIG. 2

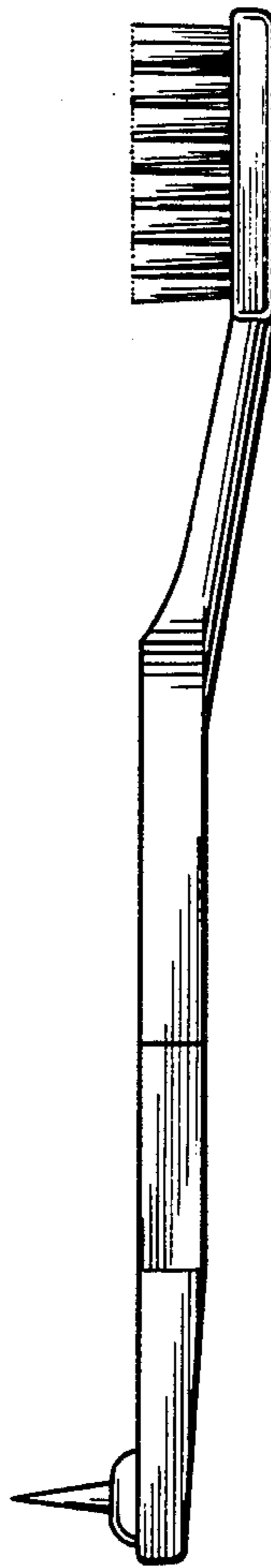


FIG. 3

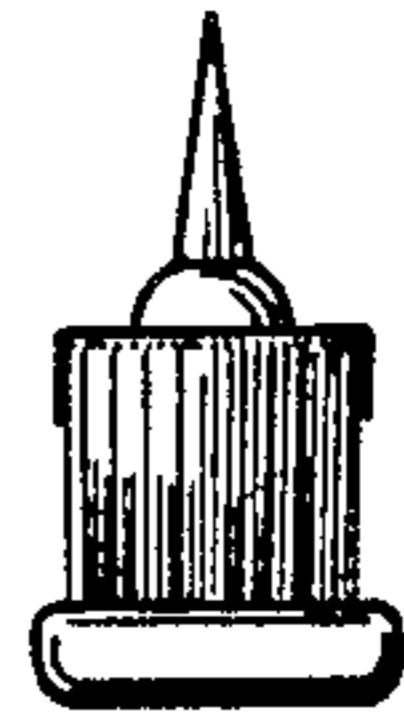


FIG. 4



FIG. 5

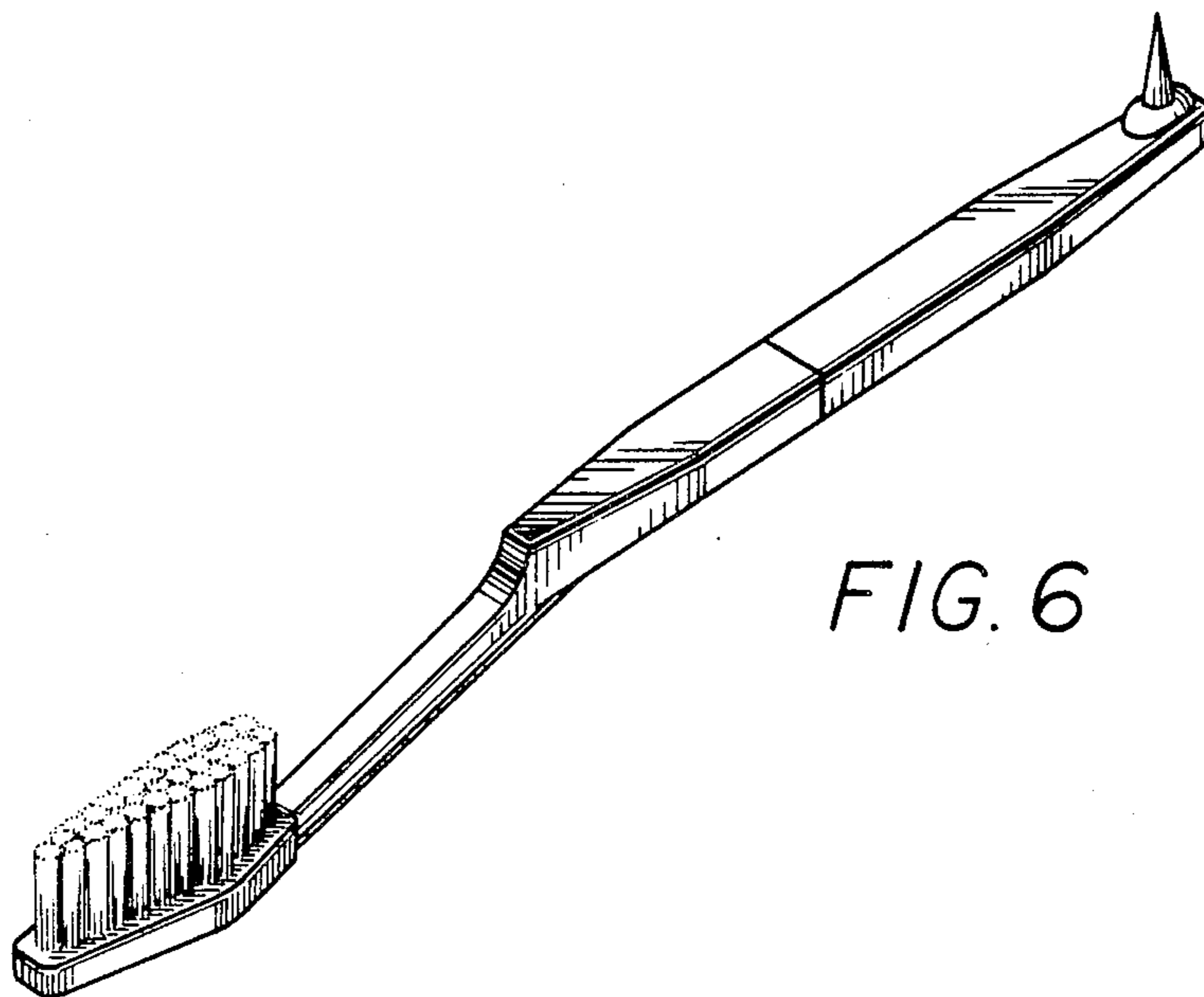


FIG. 6

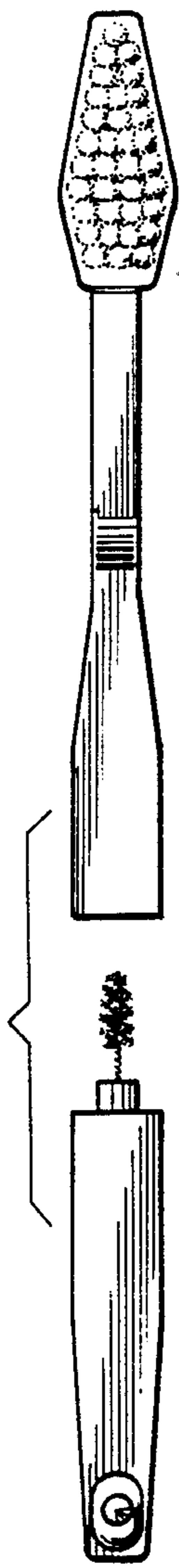


FIG. 7



FIG. 8

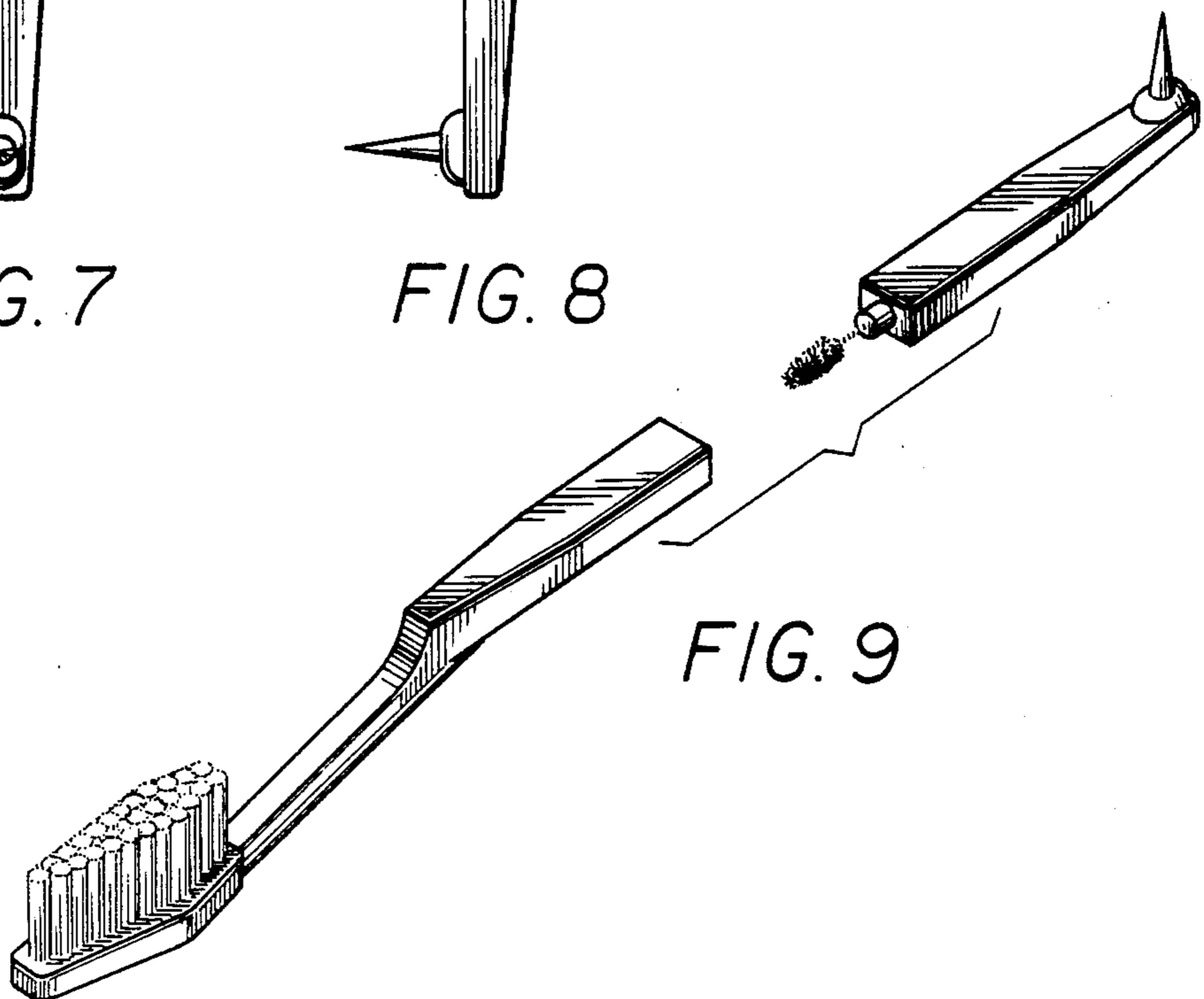


FIG. 9