

[54] PAINT CAN HOLDER

[76] Inventor: J. Dave Bozarth, 18162 Romelle Ave., Santa Ana, Calif. 92705

[**] Term: 14 Years

[21] Appl. No.: 778,618

[22] Filed: Sep. 23, 1985

[52] U.S. Cl. D3/100

[58] Field of Search 224/148, 265; D29/10, D29/11; D3/100, 105

4,071,214 1/1978 Reidy .
4,391,397 7/1983 Taylor, Jr. .
4,462,525 7/1984 Pingleton et al. 224/908 X

FOREIGN PATENT DOCUMENTS

501770 7/1930 Fed. Rep. of Germany 224/265

Primary Examiner—Carmen H. Vales
Attorney, Agent, or Firm—F. Eugene Logan

[57] CLAIM

The ornamental design for a paint can holder, substantially as shown and described.

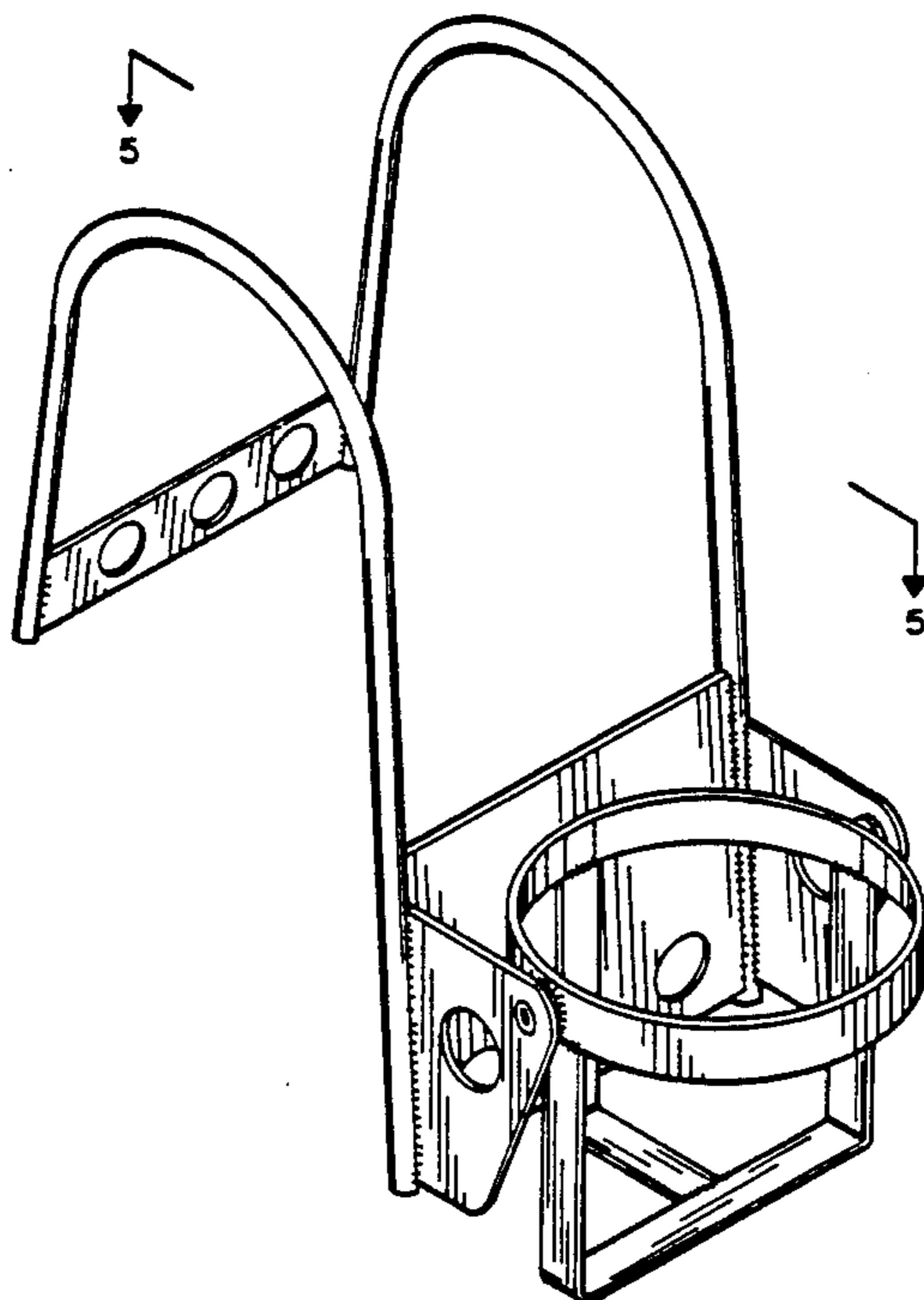
DESCRIPTION

FIG. 1 is a perspective view of a paint can holder showing my new design;
FIG. 2 is a side elevational view thereof;
FIG. 3 is a front elevational view thereof;
FIG. 4 is a rear elevational view thereof;
FIG. 5 is a top plan view thereof;
FIG. 6 is a bottom plan view thereof; and
FIG. 7 is another side elevational view thereof with the harness part pivoted with respect to the holder part.

[56] References Cited

U.S. PATENT DOCUMENTS

- 1,782,962 8/1927 Hobbs .
- 2,095,351 10/1937 Van Winkle 224/148 X
- 2,717,109 10/1952 Walsh .
- 2,945,614 7/1960 Wittmann, Sr. 224/148
- 3,106,123 10/1963 Johannsen 224/265 X
- 3,407,429 10/1966 Di Nardo .
- 3,448,956 9/1967 Kuhaneck, Jr. .
- 3,462,109 5/1967 Forbes .
- 4,036,463 7/1977 Hopkins et al. .



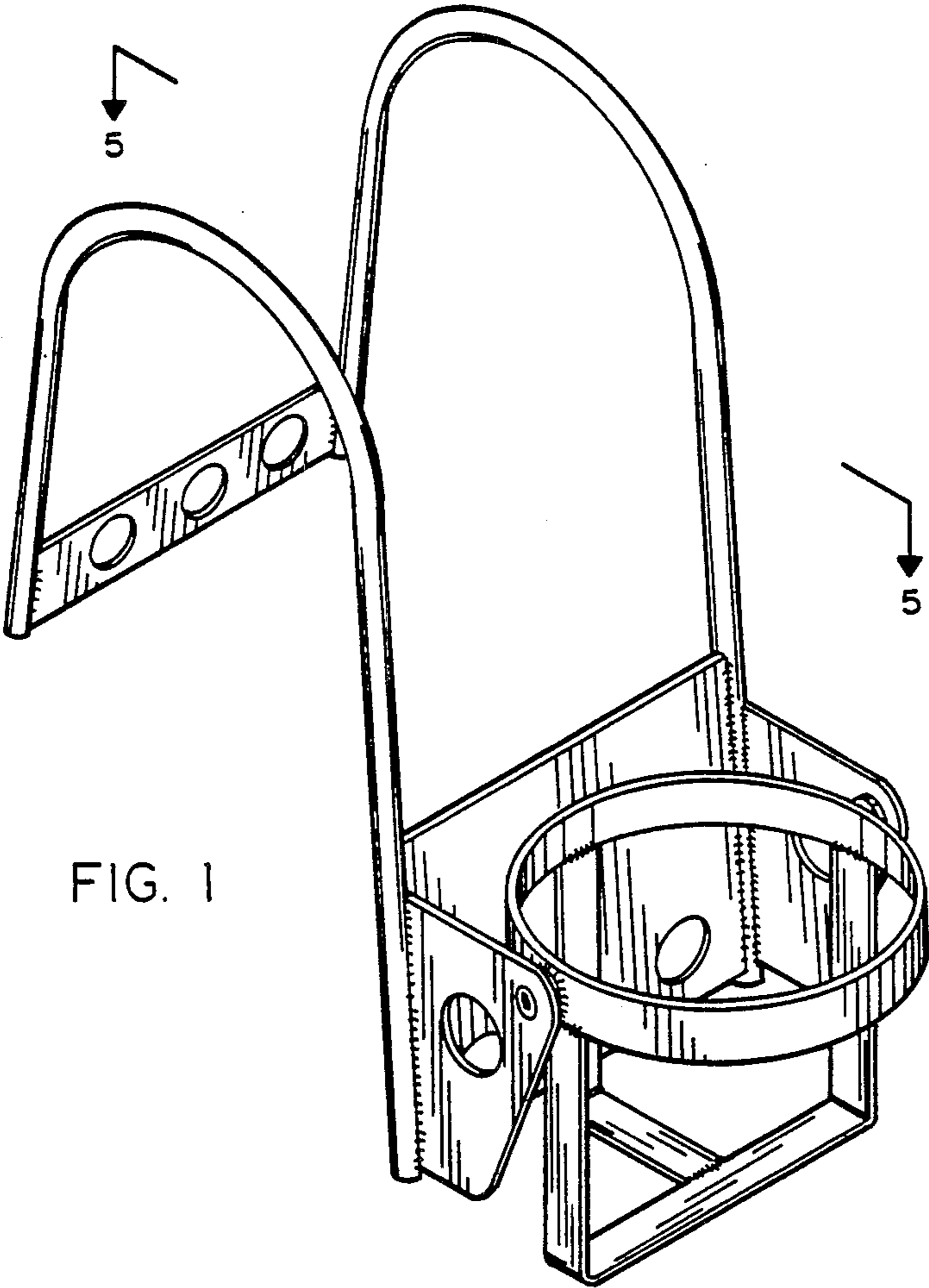


FIG. 1

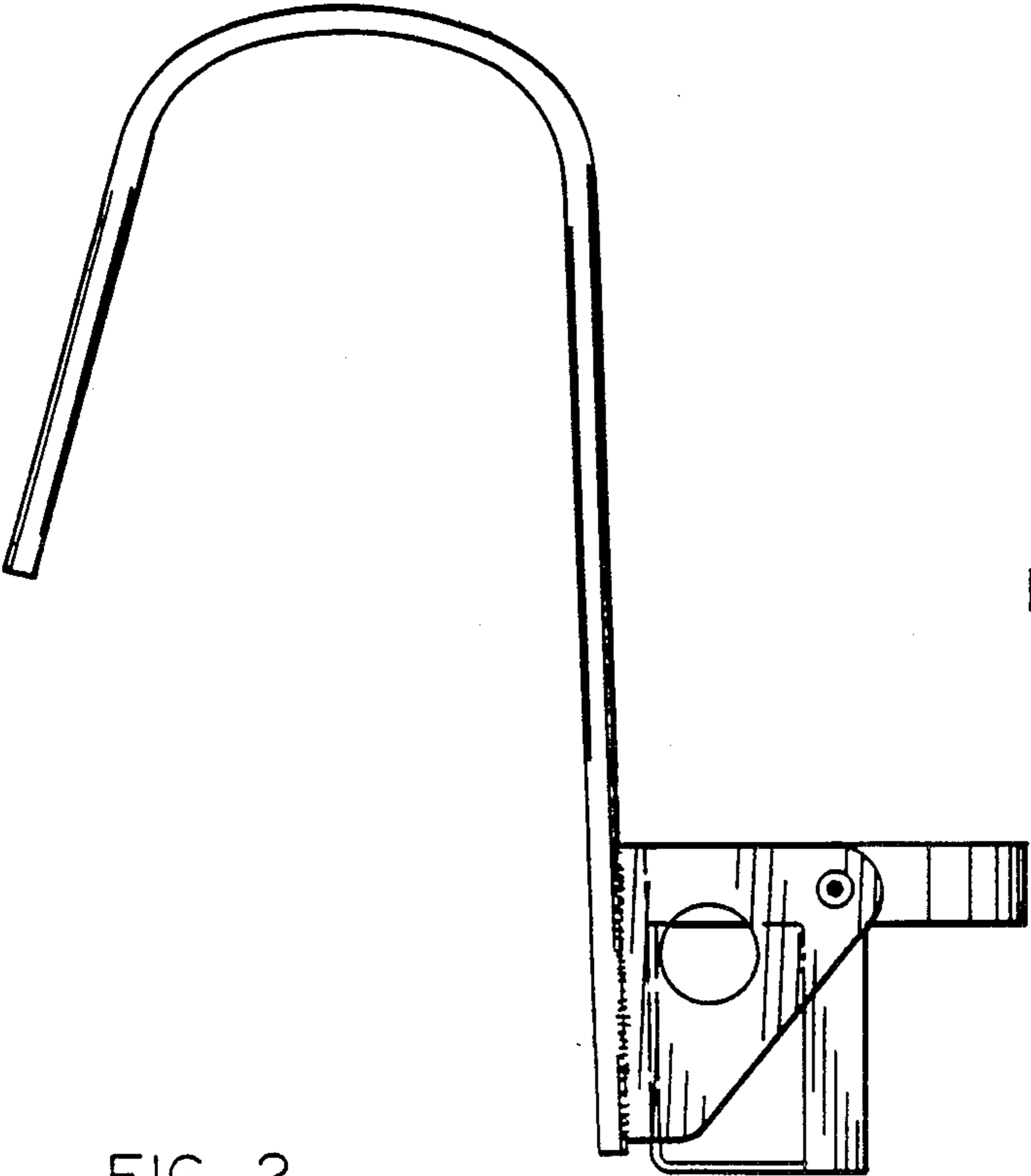


FIG. 2

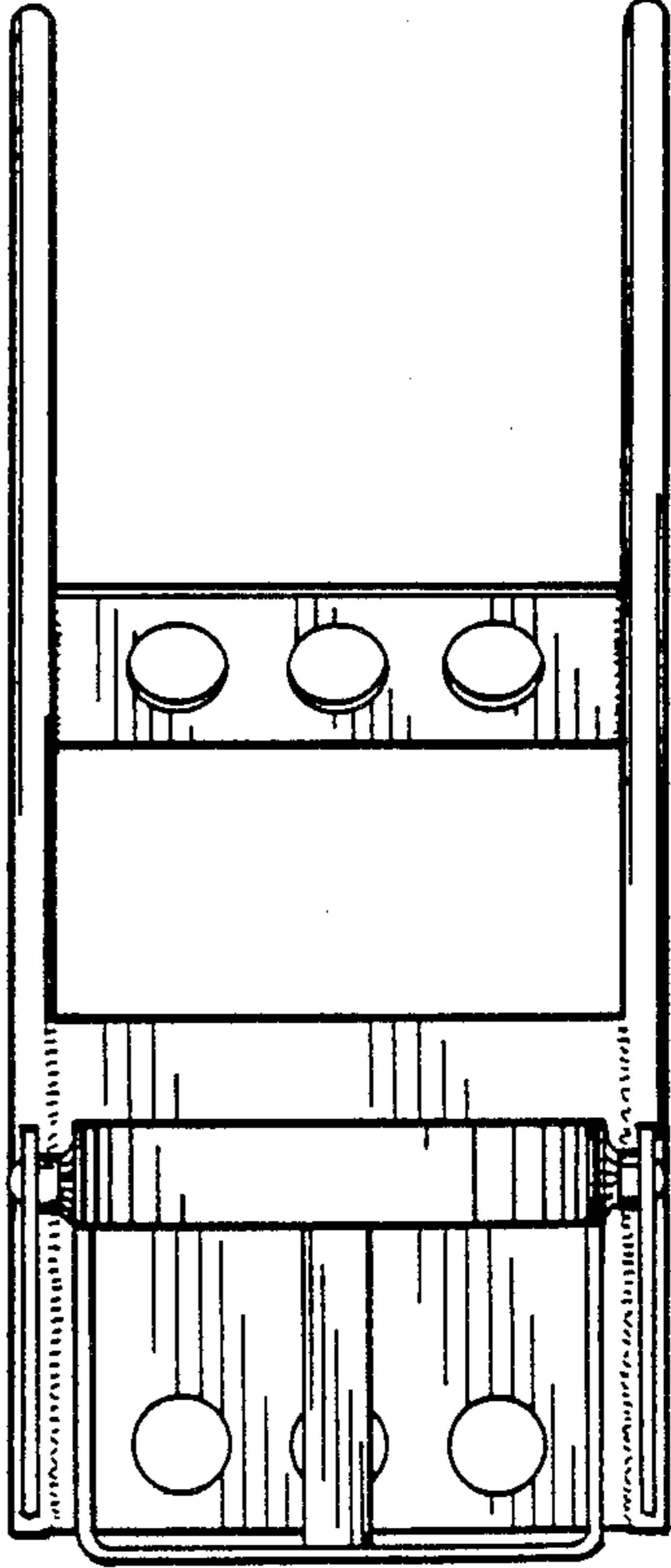


FIG. 3

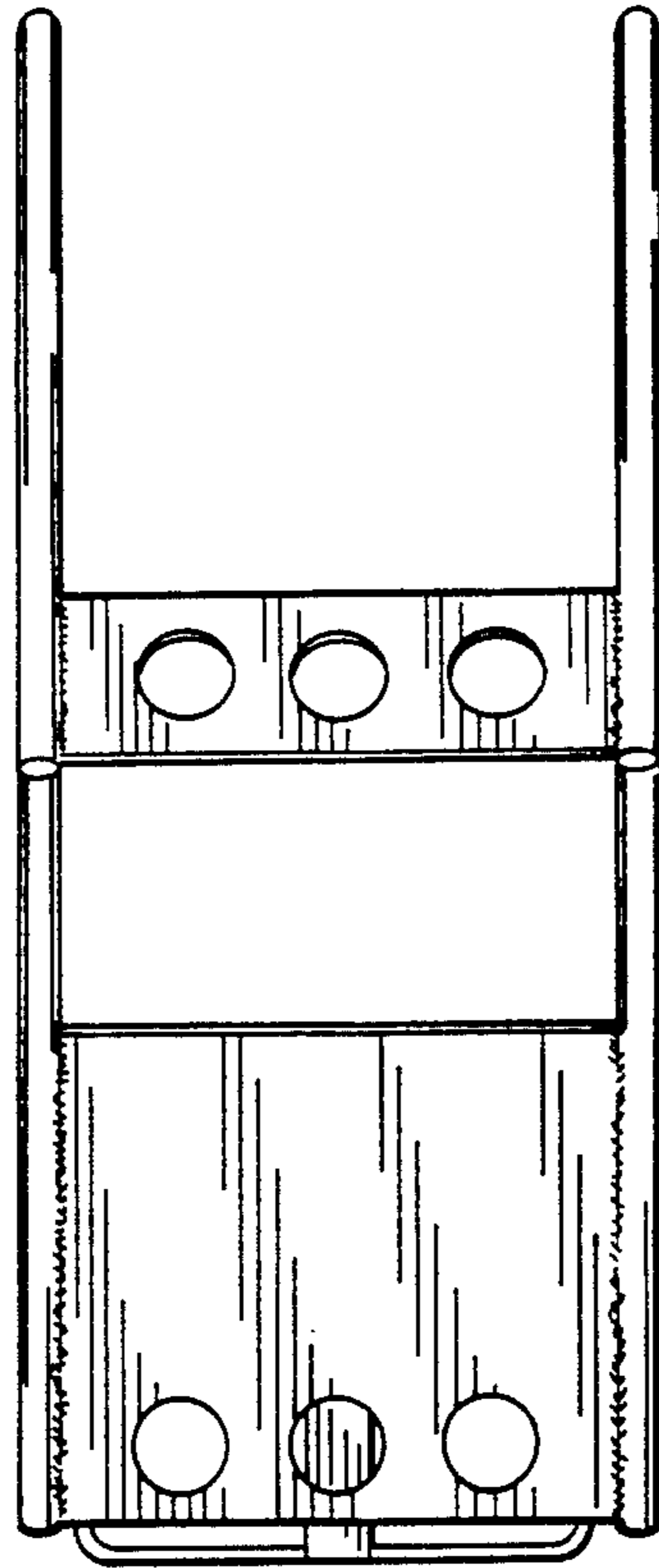


FIG. 4

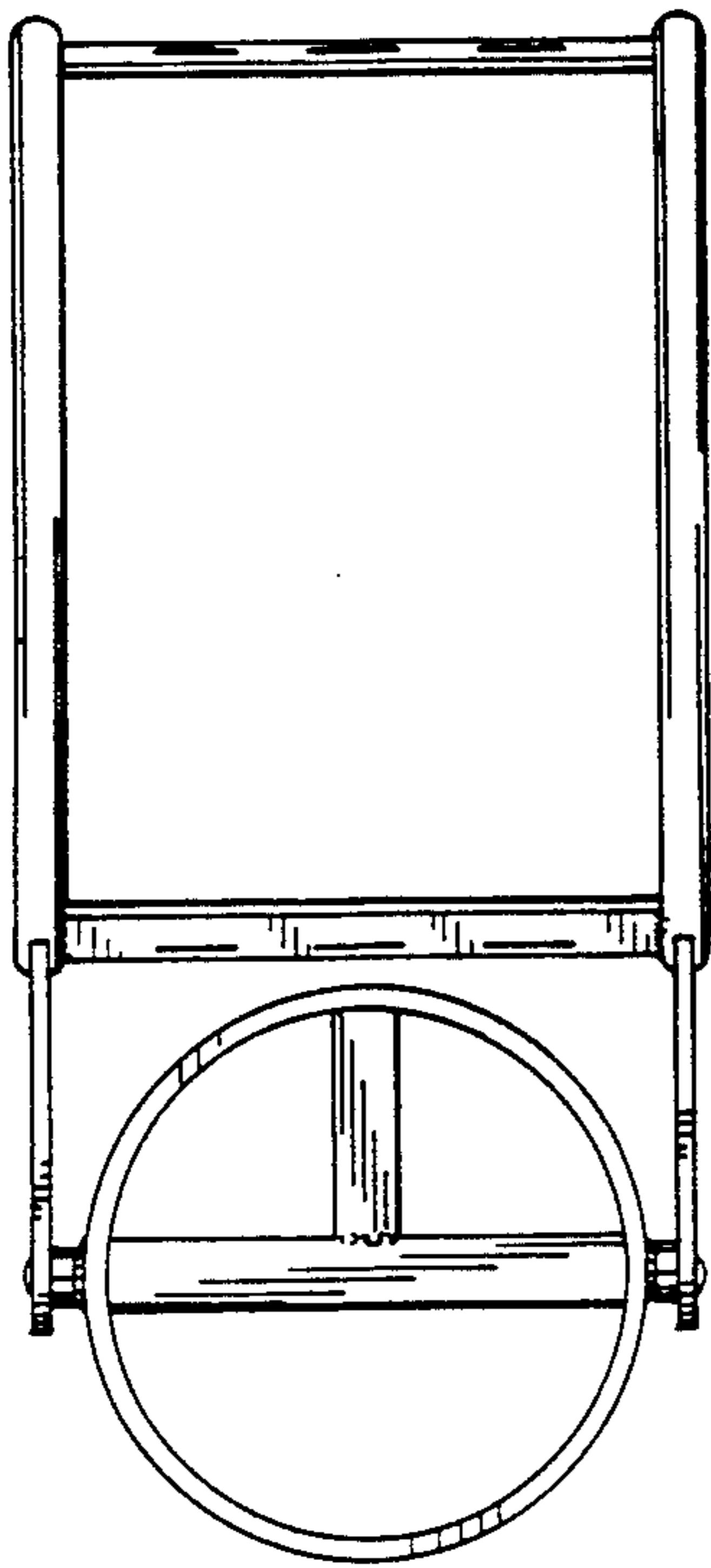


FIG. 5

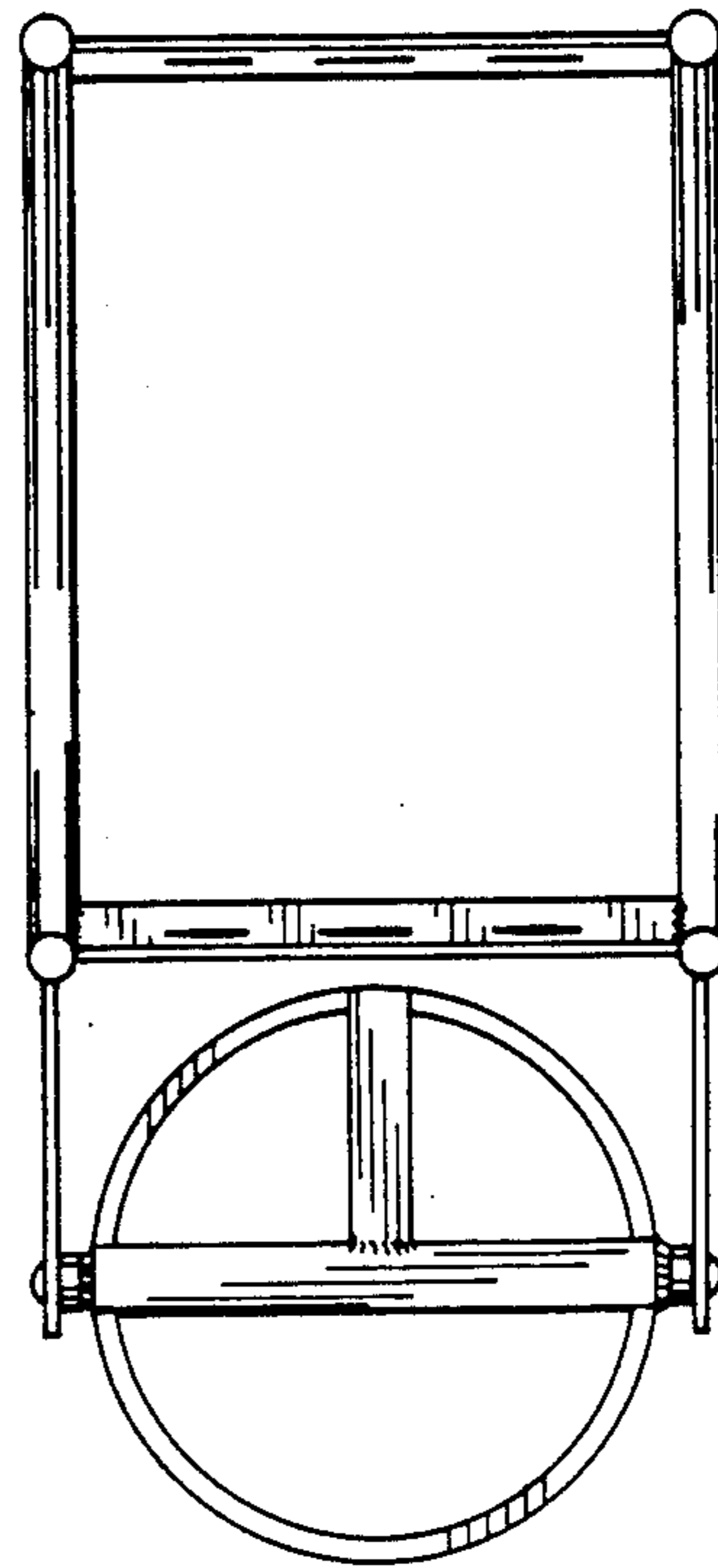


FIG. 6

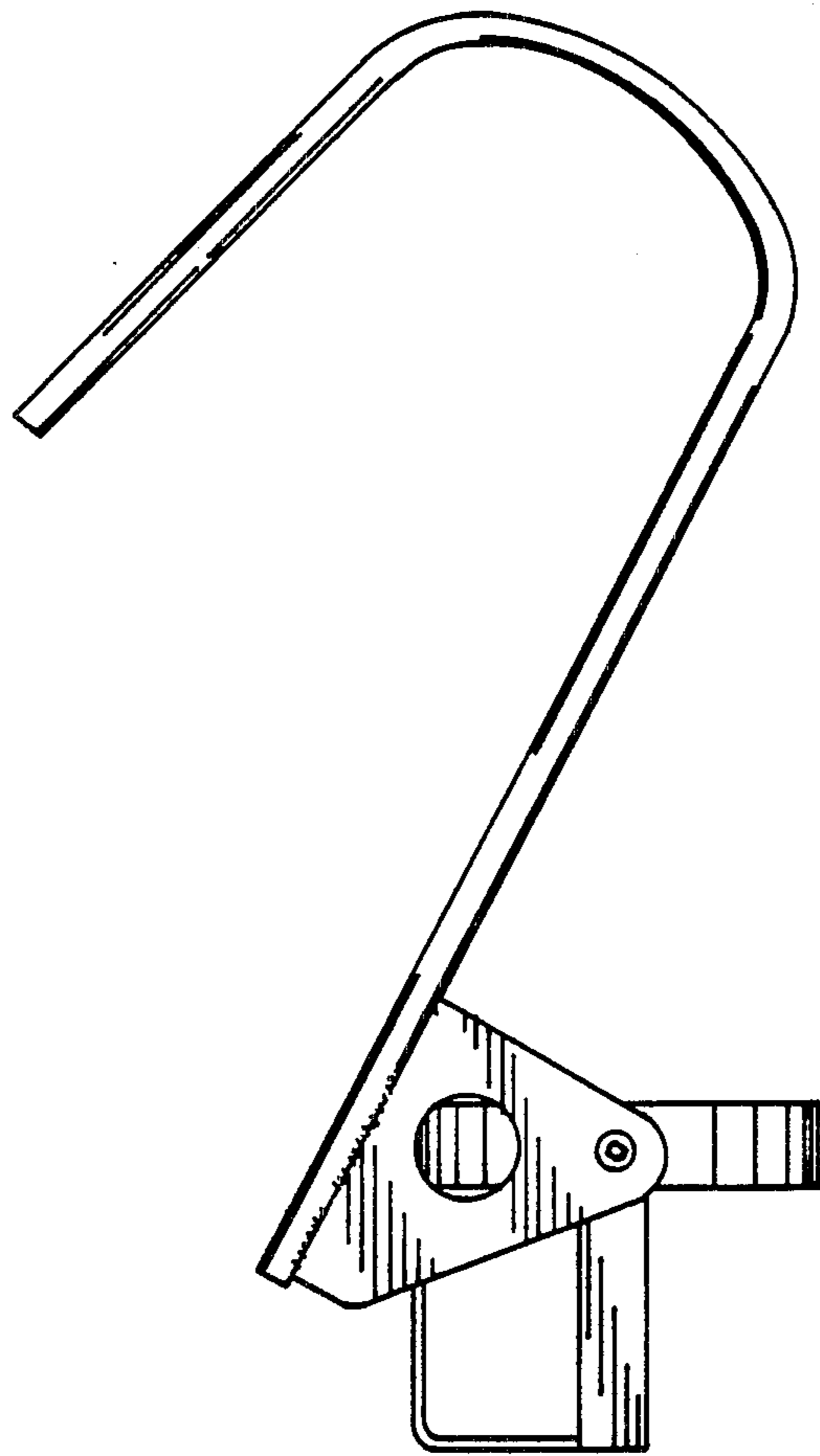


FIG. 7