

[54] CART BASKET

[75] Inventor: B. Houston Rehrig, Pasadena, Calif.

[73] Assignee: Rehrig International, Vernon, Calif.

[\*\*] Term: 14 Years

[21] Appl. No.: 729,992

[22] Filed: May 3, 1985

[52] U.S. Cl. .... D34/27

[58] Field of Search ..... D34/12, 17, 18, 19,  
D34/20-23, 27; 280/33.99 R, 33.99 H, 33.99 A,  
33.99 S, 33.99 C, 33.99 F, 33.99 B

[56] References Cited

U.S. PATENT DOCUMENTS

D. 247,953 5/1978 Rehrig ..... D34/27  
4,484,755 11/1984 Houston ..... 280/33.99 A

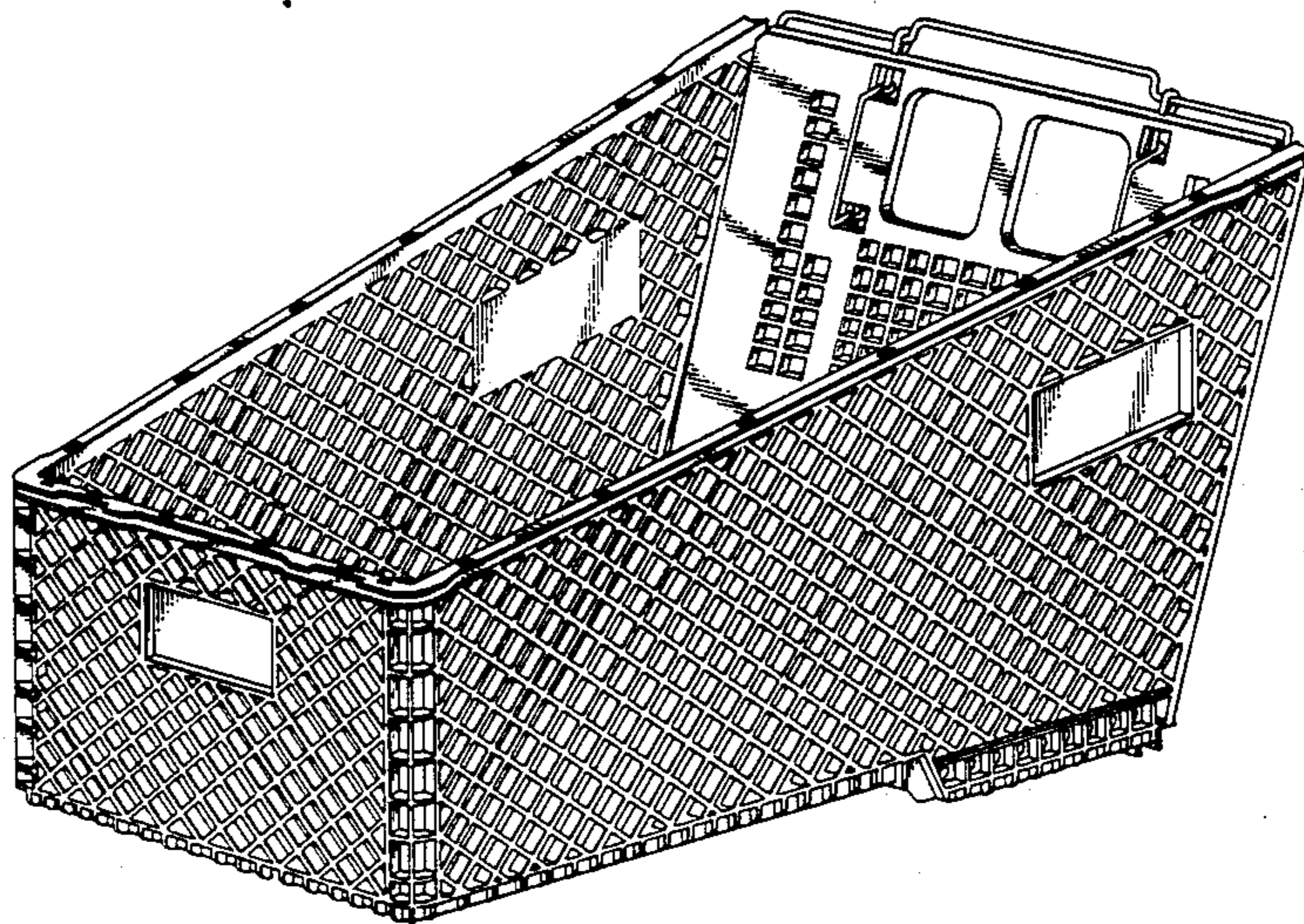
Primary Examiner—James M. Gandy  
Assistant Examiner—Kay H. Chin  
Attorney, Agent, or Firm—Banner, Birch, McKie & Beckett

[57] CLAIM

The ornamental design for a cart basket, as substantially shown and described.

DESCRIPTION

FIG. 1 is a side elevation view of a cart basket showing my new design;  
FIG. 2 is a top plan view thereof;  
FIG. 3 is a front elevation view thereof;  
FIG. 4 is a rear elevation view thereof;  
FIG. 5 is a bottom plan view thereof;  
FIG. 6 is a top perspective view thereof; and  
FIG. 7 is a bottom perspective view thereof.



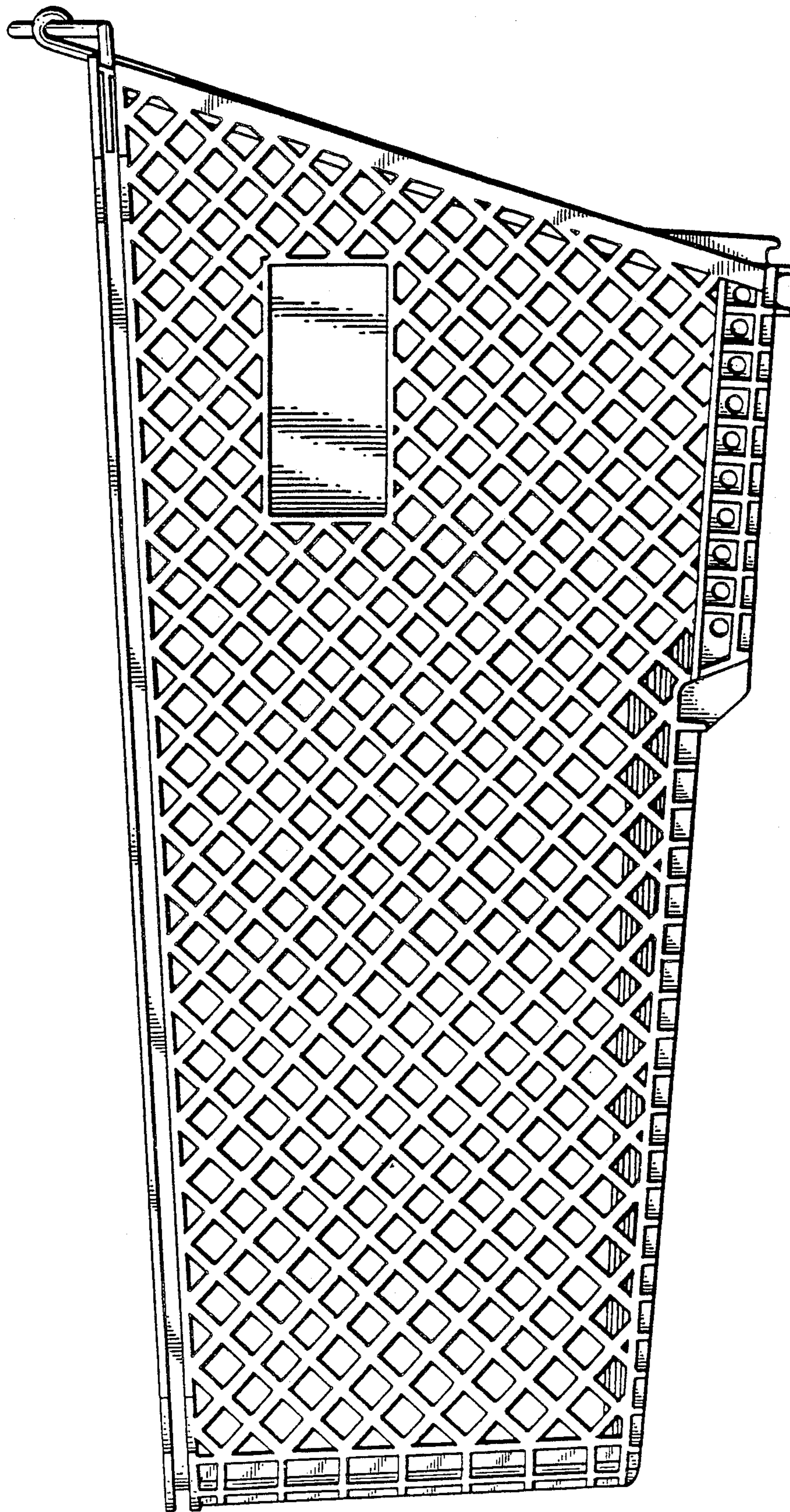


FIG. 1

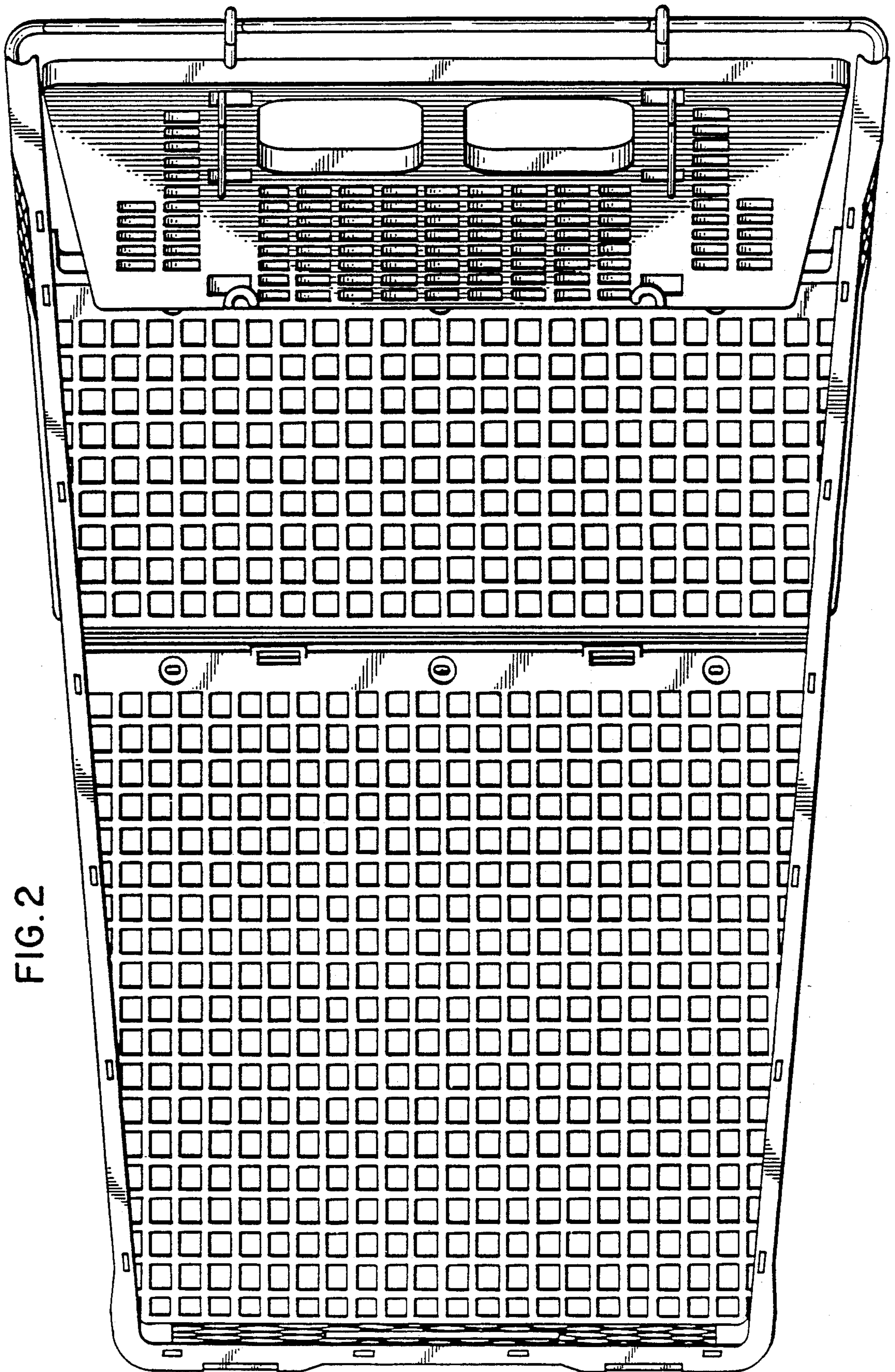


FIG. 2

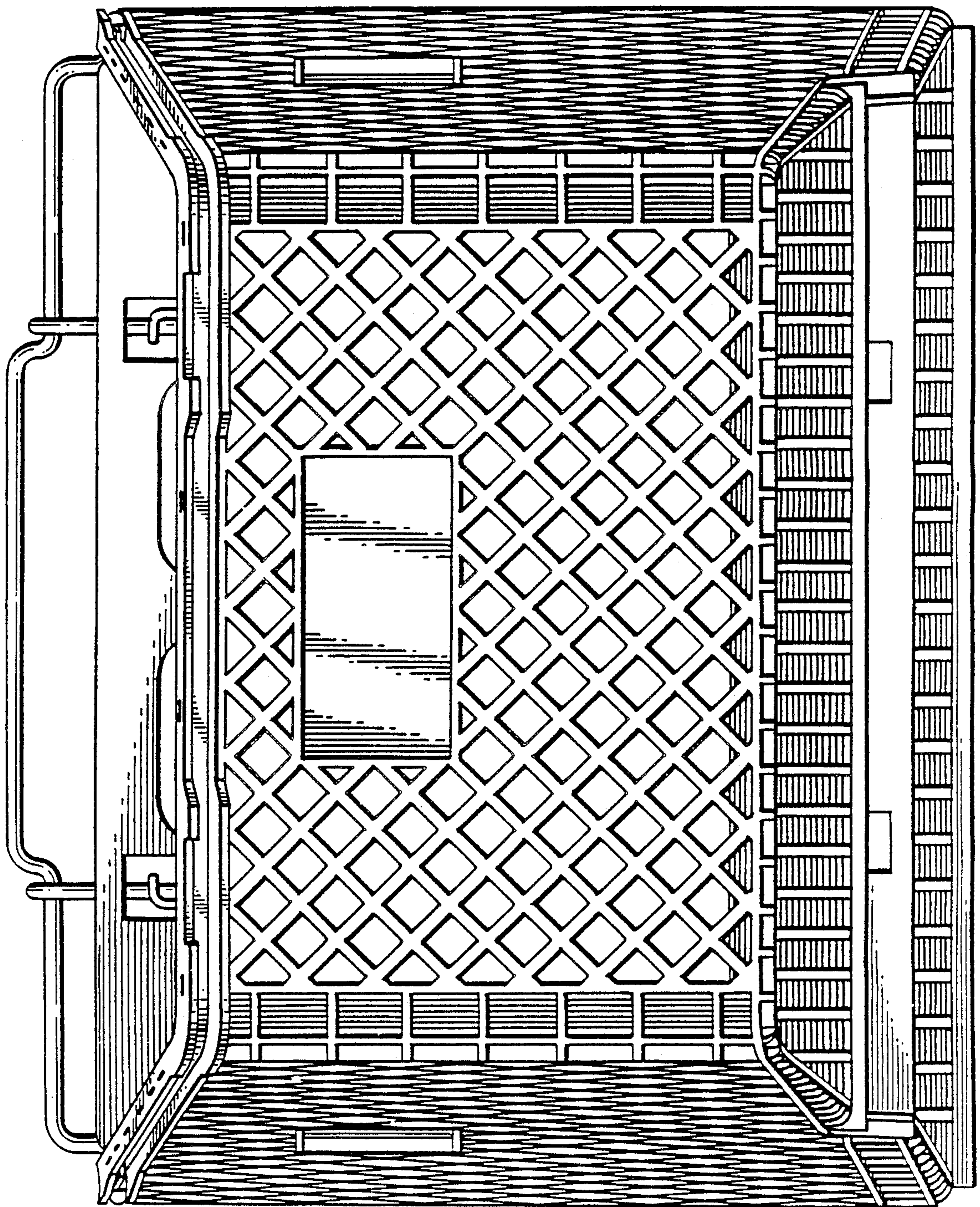
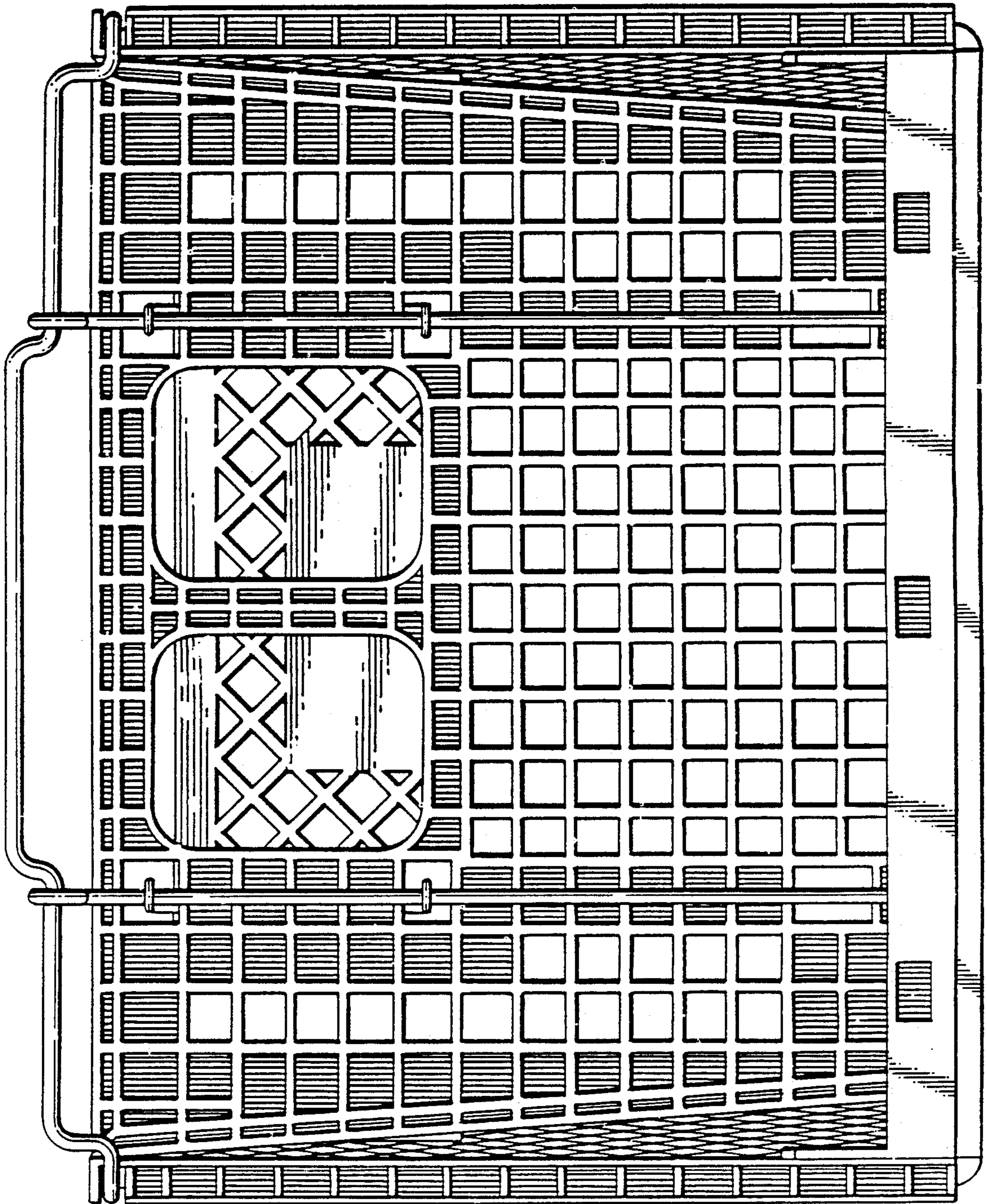


FIG. 3

FIG. 4



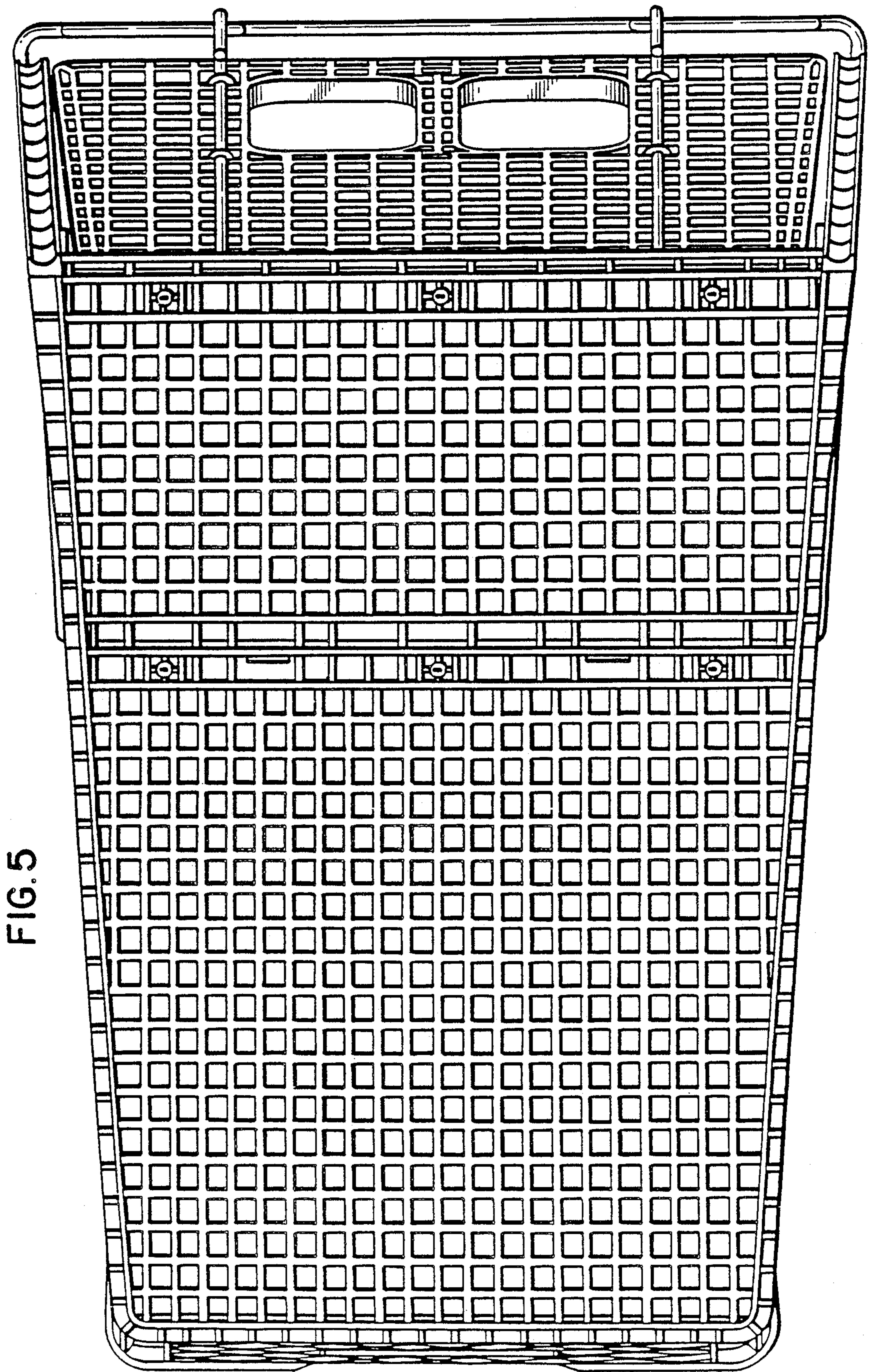


FIG. 5

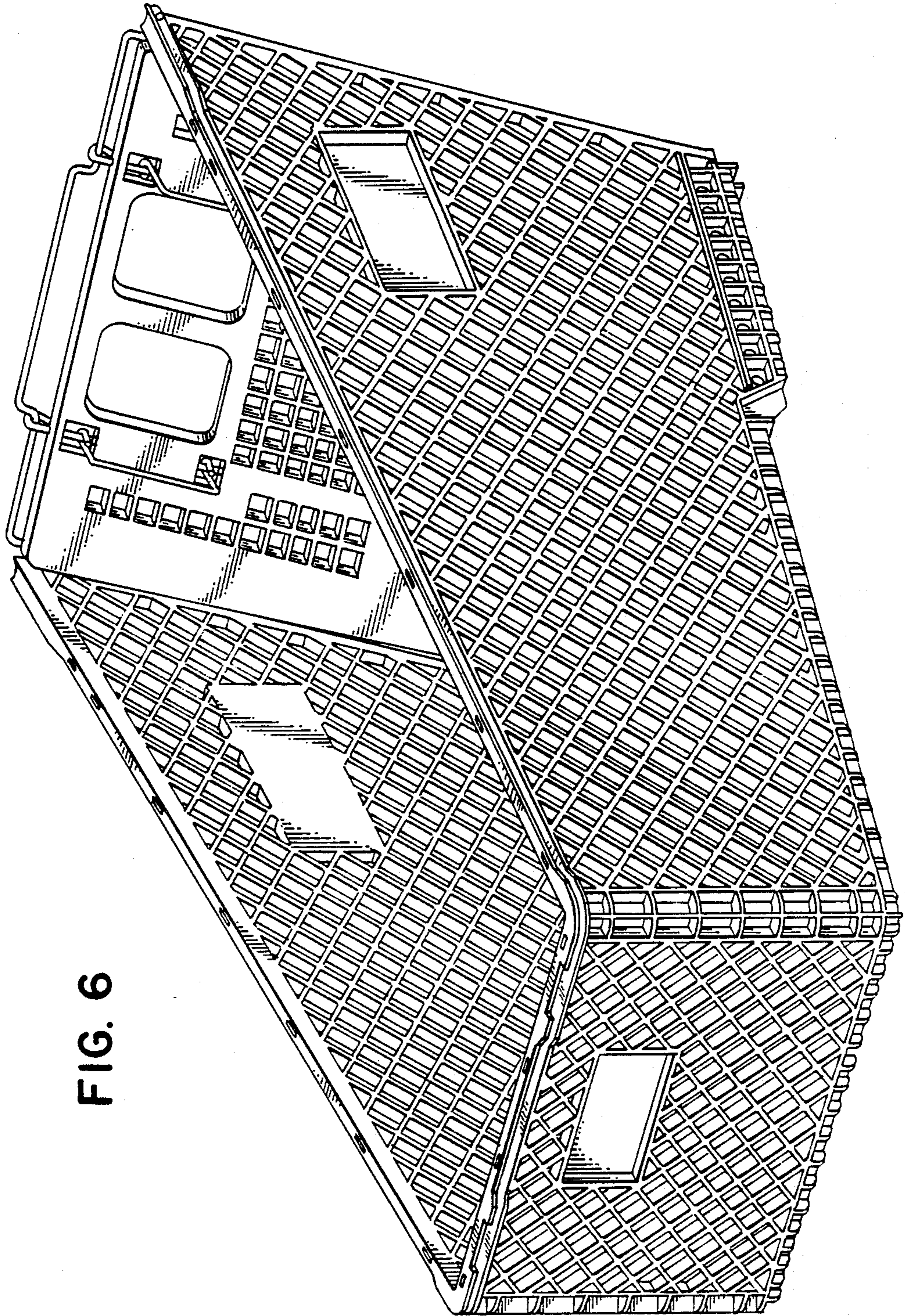


FIG. 6

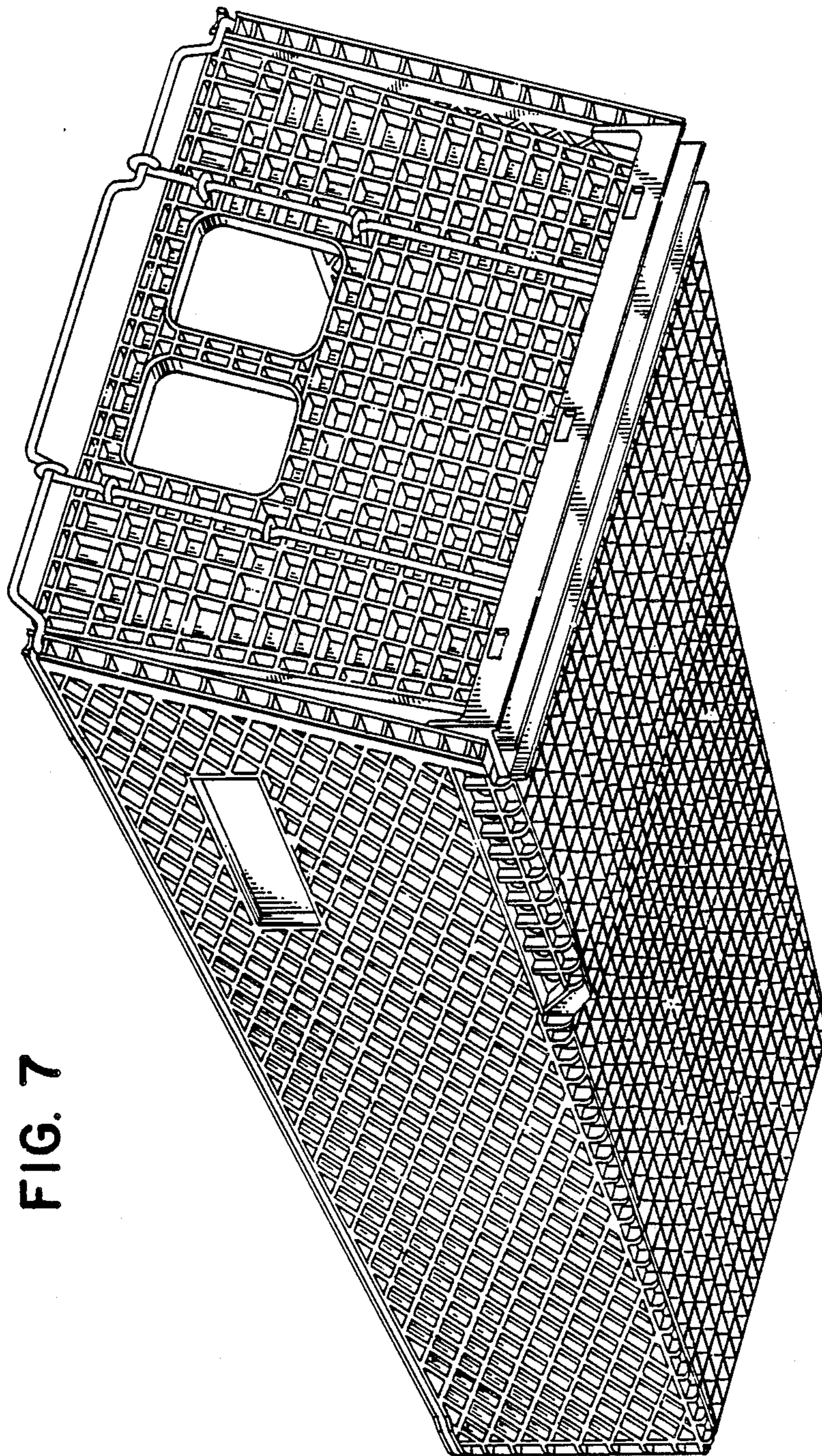


FIG. 7