

[54] WASTEBASKET ADAPTER RING

[76] Inventor: Steven C. Nelson, 4232 Lombard Dr., Klamath Falls, Oreg. 97603

[\*\*] Term: 14 Years

[21] Appl. No.: 857,463

[22] Filed: Apr. 25, 1986

Related U.S. Application Data

- [63] Continuation-in-part of Ser. No. 771,643, Sep. 3, 1985.
- [52] U.S. Cl. .... D34/6
- [58] Field of Search ..... D34/1, 3, 5, 6; 220/1 T, 404, 403; 248/95, 97, 99; 206/518, 508

References Cited

U.S. PATENT DOCUMENTS

- D. 284,320 6/1986 Kubic et al. .... D34/1
- 4,440,301 4/1984 Intengan ..... 206/518
- 4,664,347 5/1987 Brown et al. .... 220/404

FOREIGN PATENT DOCUMENTS

2910144 9/1980 Fed. Rep. of Germany ..... 220/404

Primary Examiner—James M. Gandy  
Assistant Examiner—Kay H. Chin  
Attorney, Agent, or Firm—Glen A. Collett

[57] CLAIM

The ornamental design for a wastebasket adapter ring, as shown and described.

DESCRIPTION

FIG. 1 is a top perspective view of a wastebasket adapter ring showing my new design, the broken lines are for illustrative purposes only and form no part of the claimed design;

FIG. 2 is a top plan view thereof;

FIG. 3 is a front elevational view thereof, the rear elevational view being a mirror image of that shown;

FIG. 4 is a side elevational view thereof, the opposite side elevational view being a mirror image of that shown;

FIG. 5 is a bottom plan view thereof.

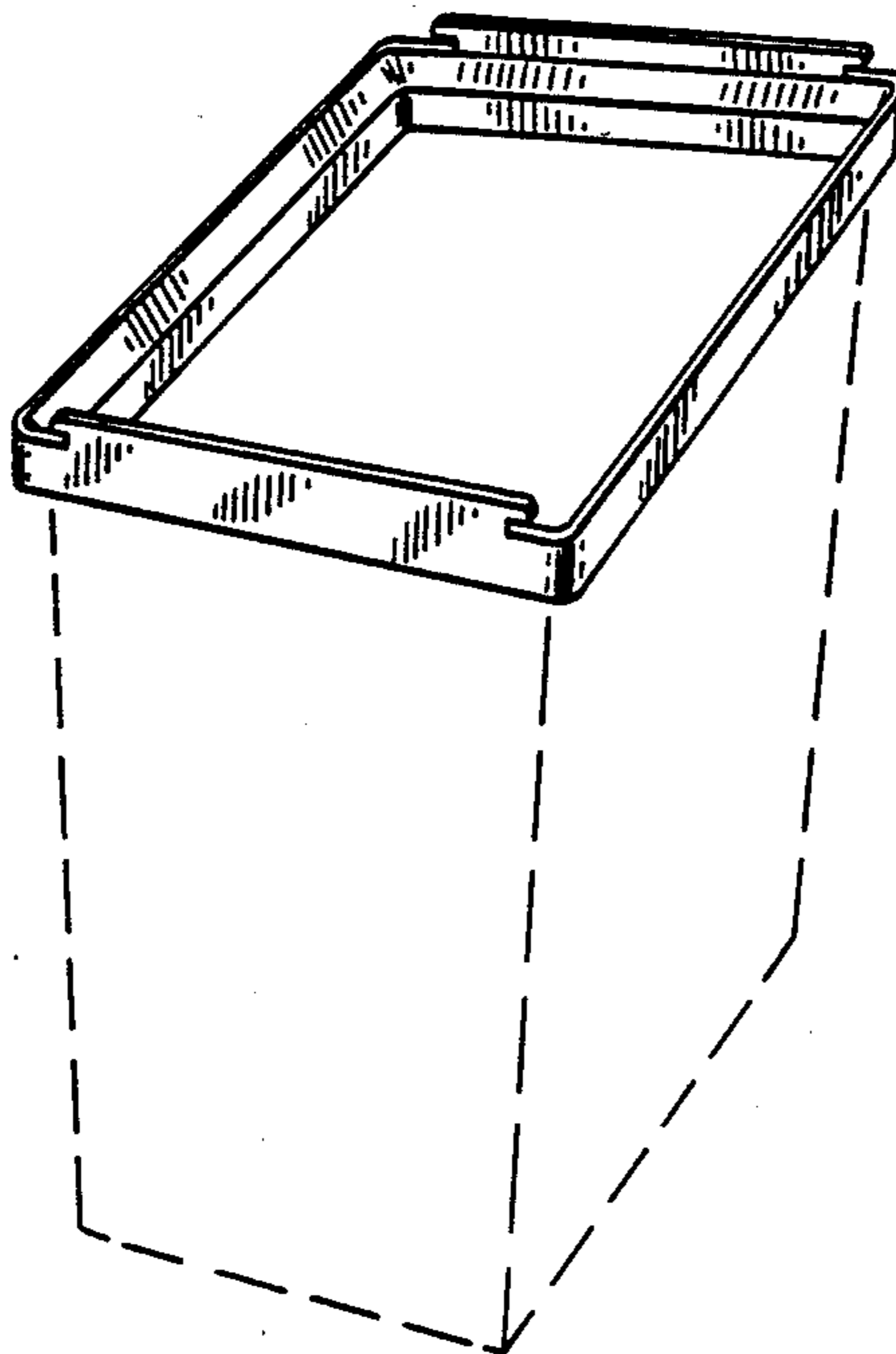


FIG. 2

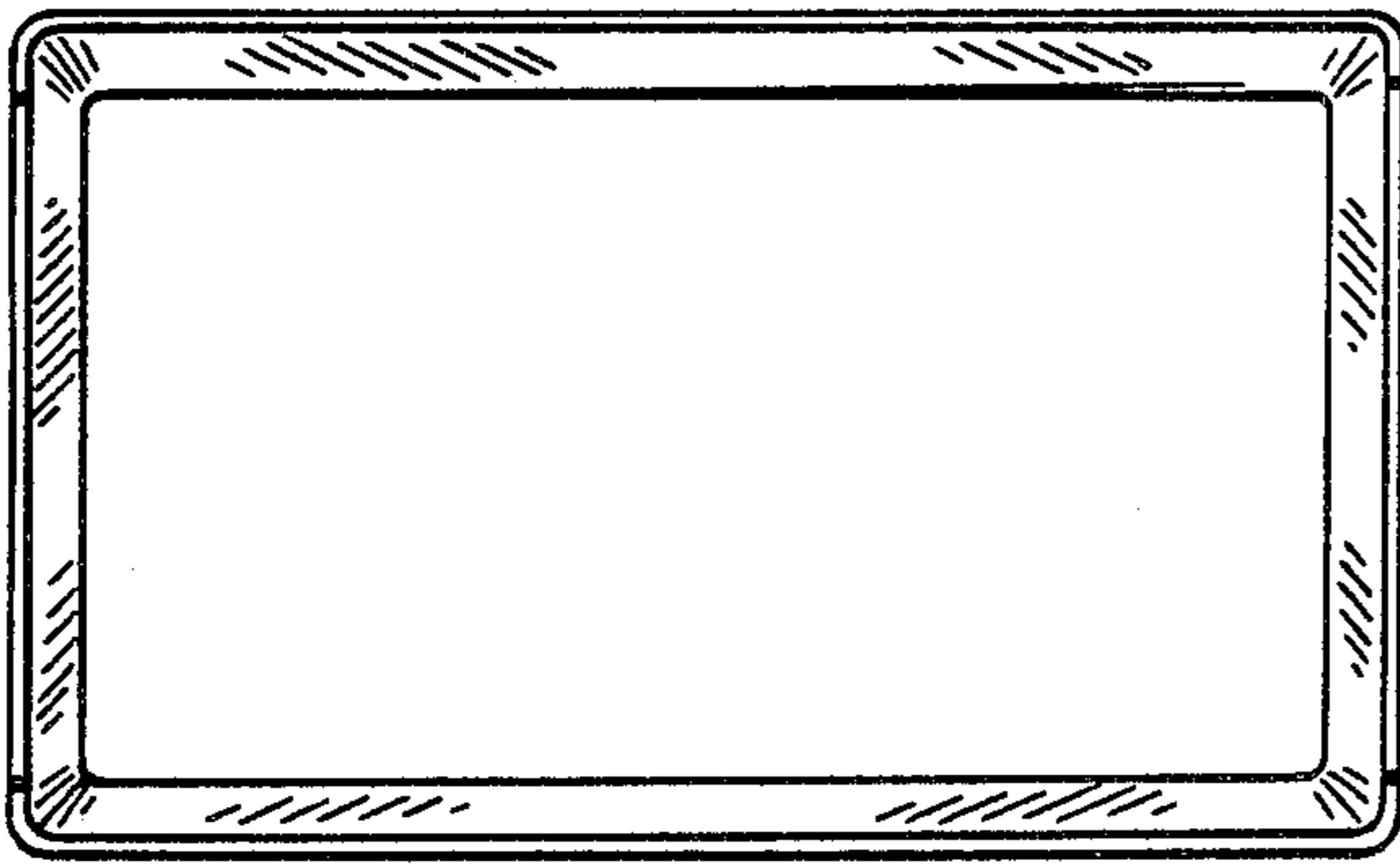


FIG. 3



FIG. 1

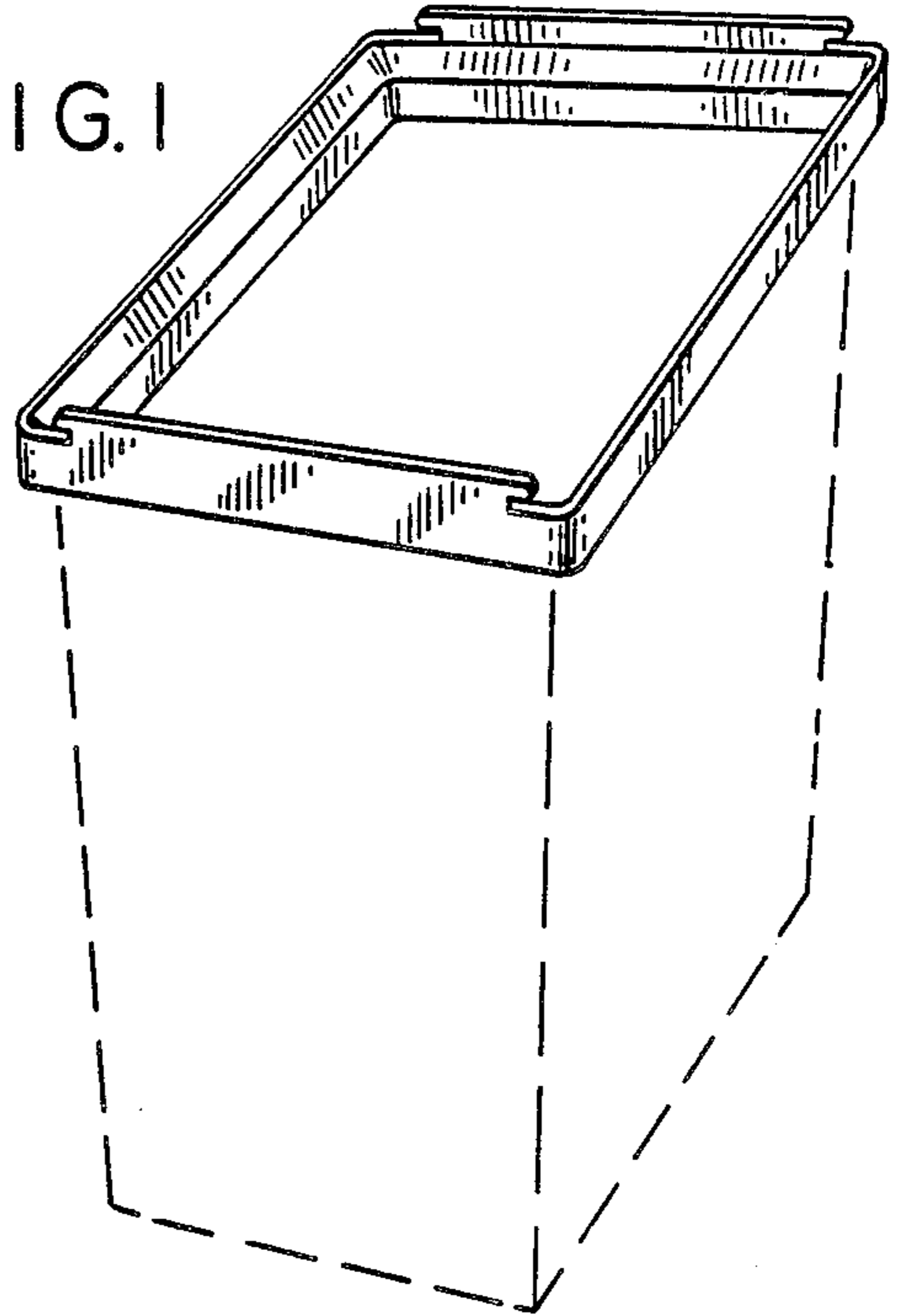


FIG. 4

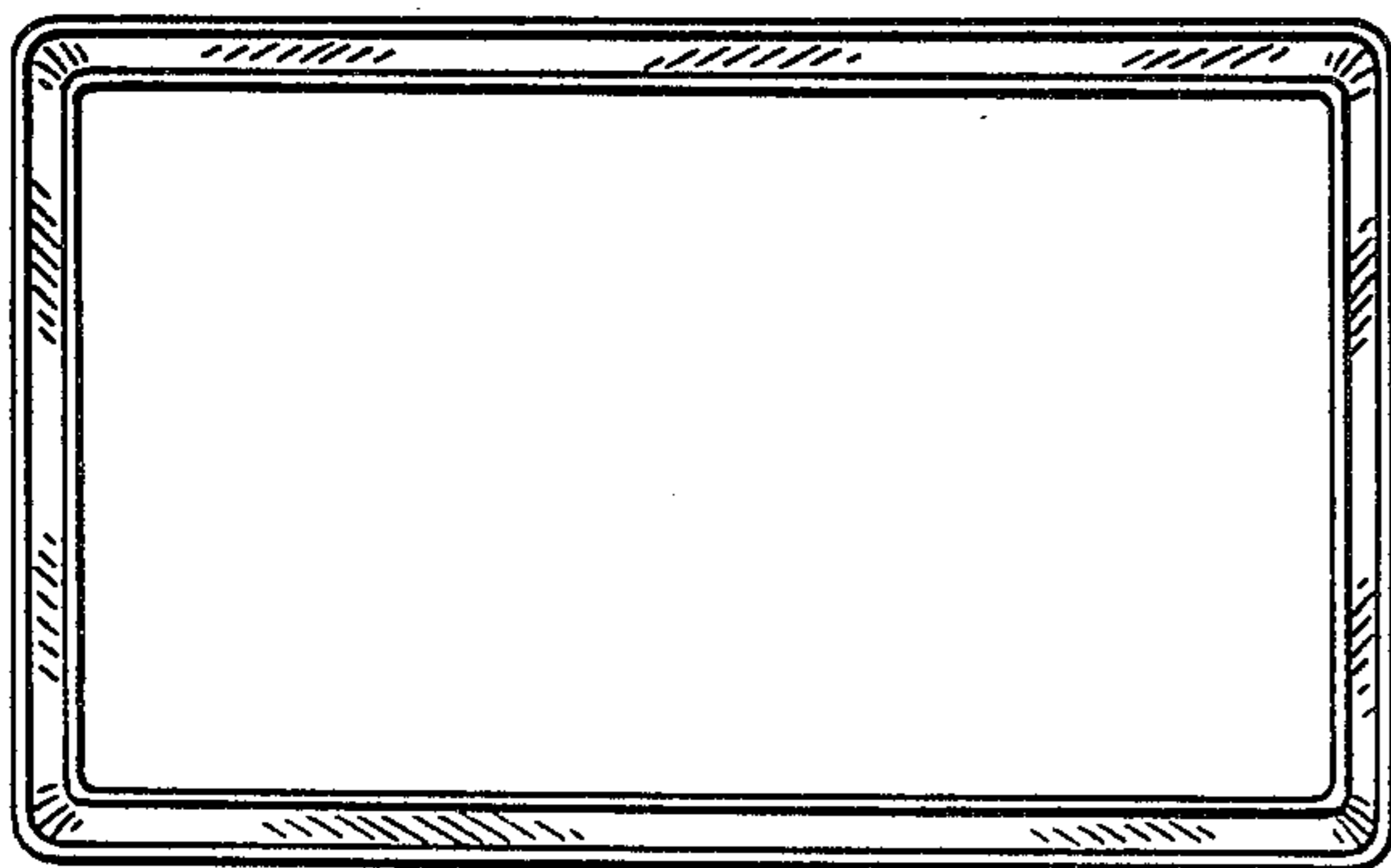
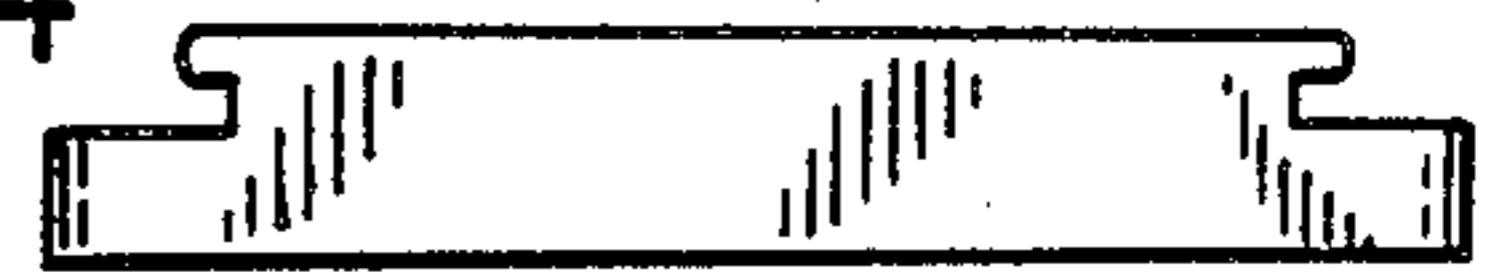


FIG. 5