

[54] IRON

[75] Inventor: Bing Y. Chan, Kowloon, Hong Kong

[73] Assignee: Better Electrical Products Factory Limited, Cheung Sha Wan, Hong Kong

[**] Term: 14 Years

[21] Appl. No.: 875,748

[22] Filed: Jun. 13, 1986

[30] Foreign Application Priority Data

Jan. 2, 1986 [GB] United Kingdom 1031358
[52] U.S. Cl. D32/69; D32/70
[58] Field of Search D32/68-73; 38/77.1-77.9

[56] References Cited

U.S. PATENT DOCUMENTS

- D. 276,473 11/1984 Ogawa et al. D32/70
D. 279,416 6/1985 Chan D32/69
D. 284,899 7/1986 Chan D32/69
D. 285,738 9/1986 Ogawa et al. D32/70
D. 286,214 10/1986 Chan D32/69
2,080,175 5/1937 Kuno 38/77.3
2,180,523 11/1939 Horton 38/77.1
2,763,075 9/1956 Vanie 38/77.4 X

- 2,786,287 3/1957 Swann 38/77.4
2,812,598 11/1957 Wood 38/77.3
3,160,969 12/1964 Ensley 38/77.3
3,229,392 1/1966 Camilleri 38/90
3,245,160 4/1966 Knapp 38/77.3
3,672,080 6/1972 Murphy et al. 38/90
3,685,182 8/1972 Davidson et al. 38/77.3
4,578,884 4/1986 Nakso 38/77.3

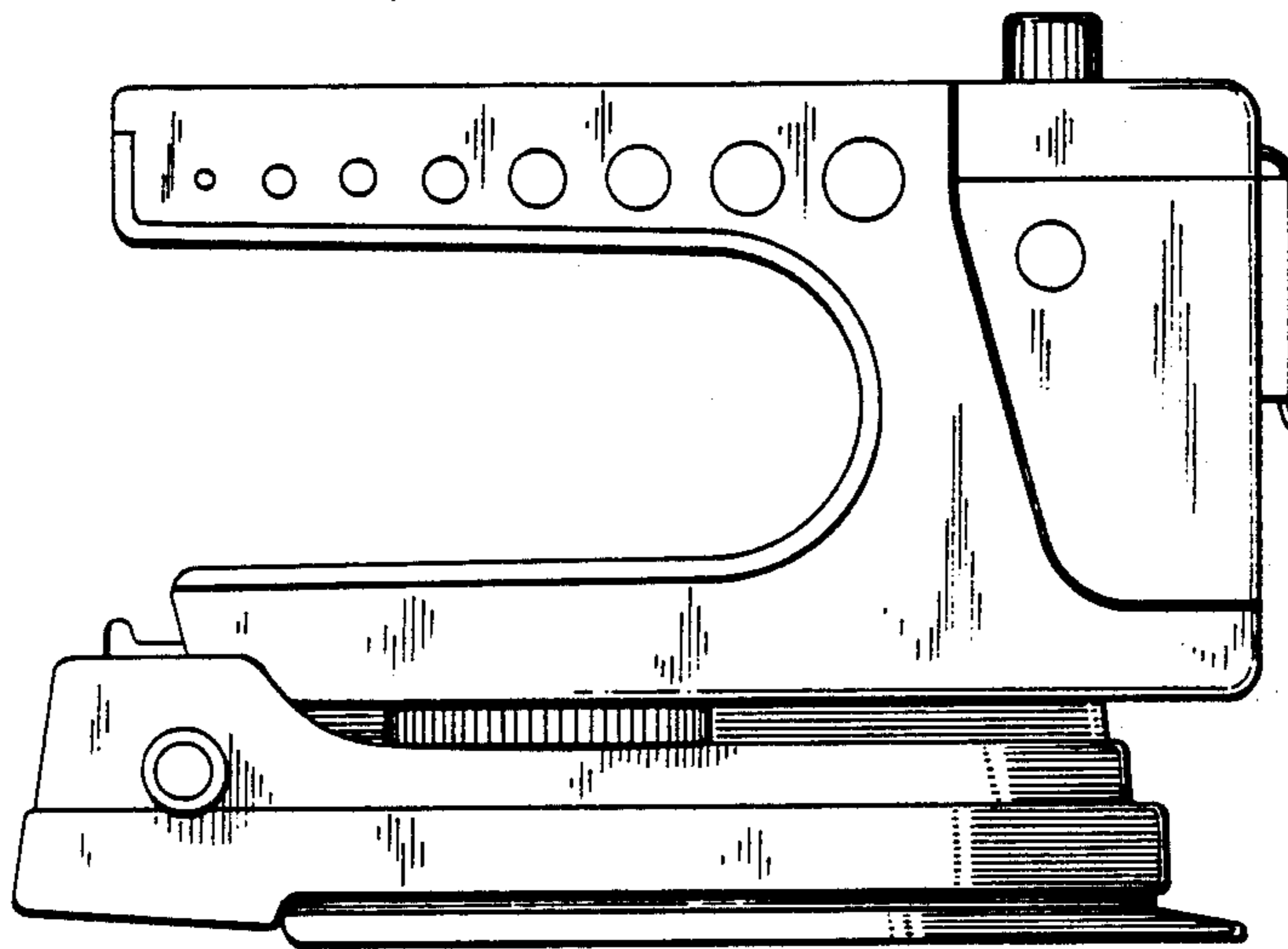
Primary Examiner—Catherine E. Kemper
Attorney, Agent, or Firm—Spencer & Frank

[57] CLAIM

The ornamental design for an iron, substantially as shown.

DESCRIPTION

FIG. 1 is a side elevational view of an iron, showing my new design;
FIG. 2 is a front elevational view thereof;
FIG. 3 is an elevational view of the side opposite that shown in FIG. 1;
FIG. 4 is a top plan view thereof;
FIG. 5 is a rear elevational view thereof;
FIG. 6 is a bottom plan view thereof;
FIG. 7 is a top plan view thereof, shown with the handle in the storage position;
FIG. 8 is a bottom plan view of the iron as shown in FIG. 7;
FIG. 9 is a side elevational view thereof.



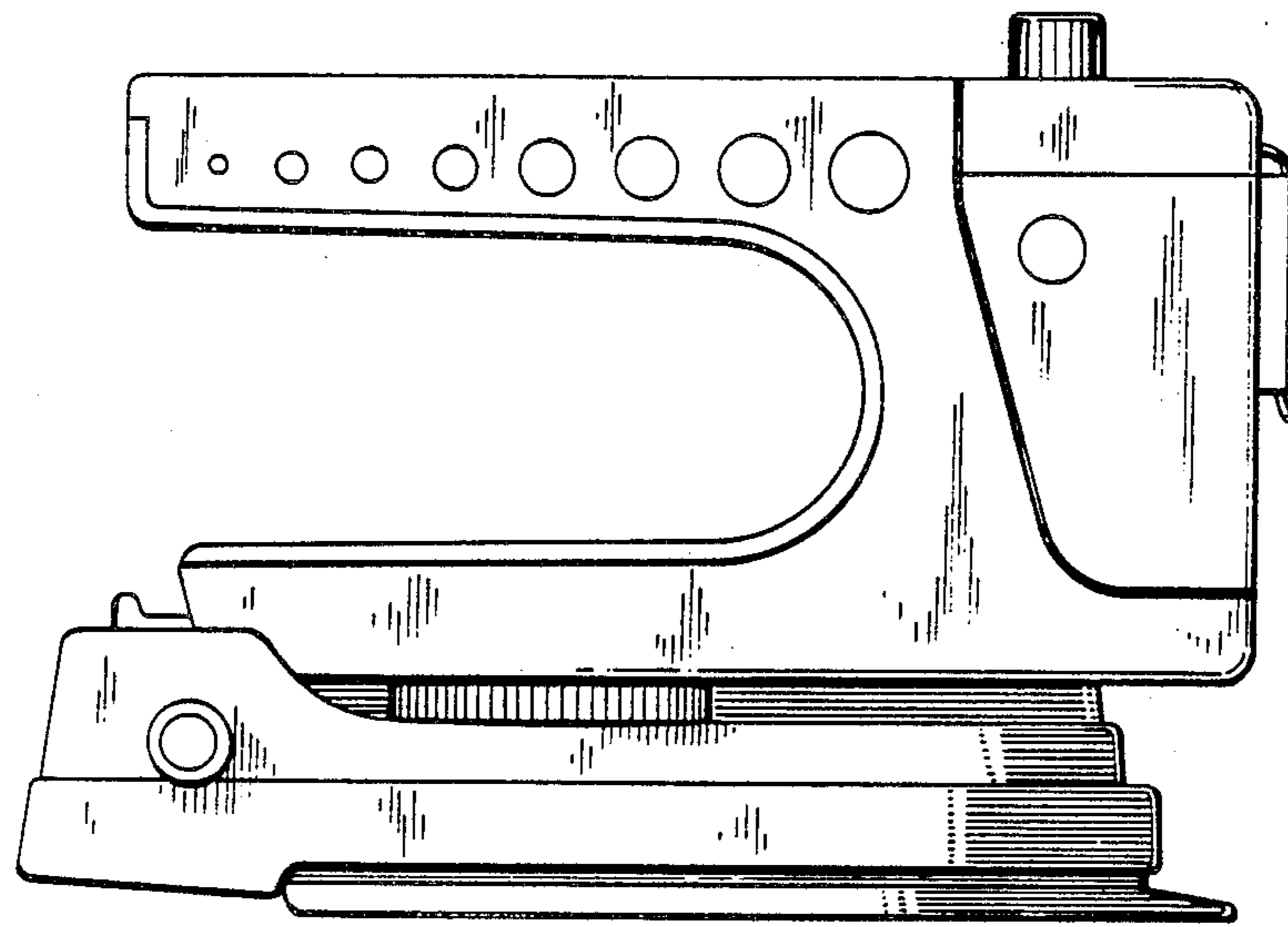


FIG 1

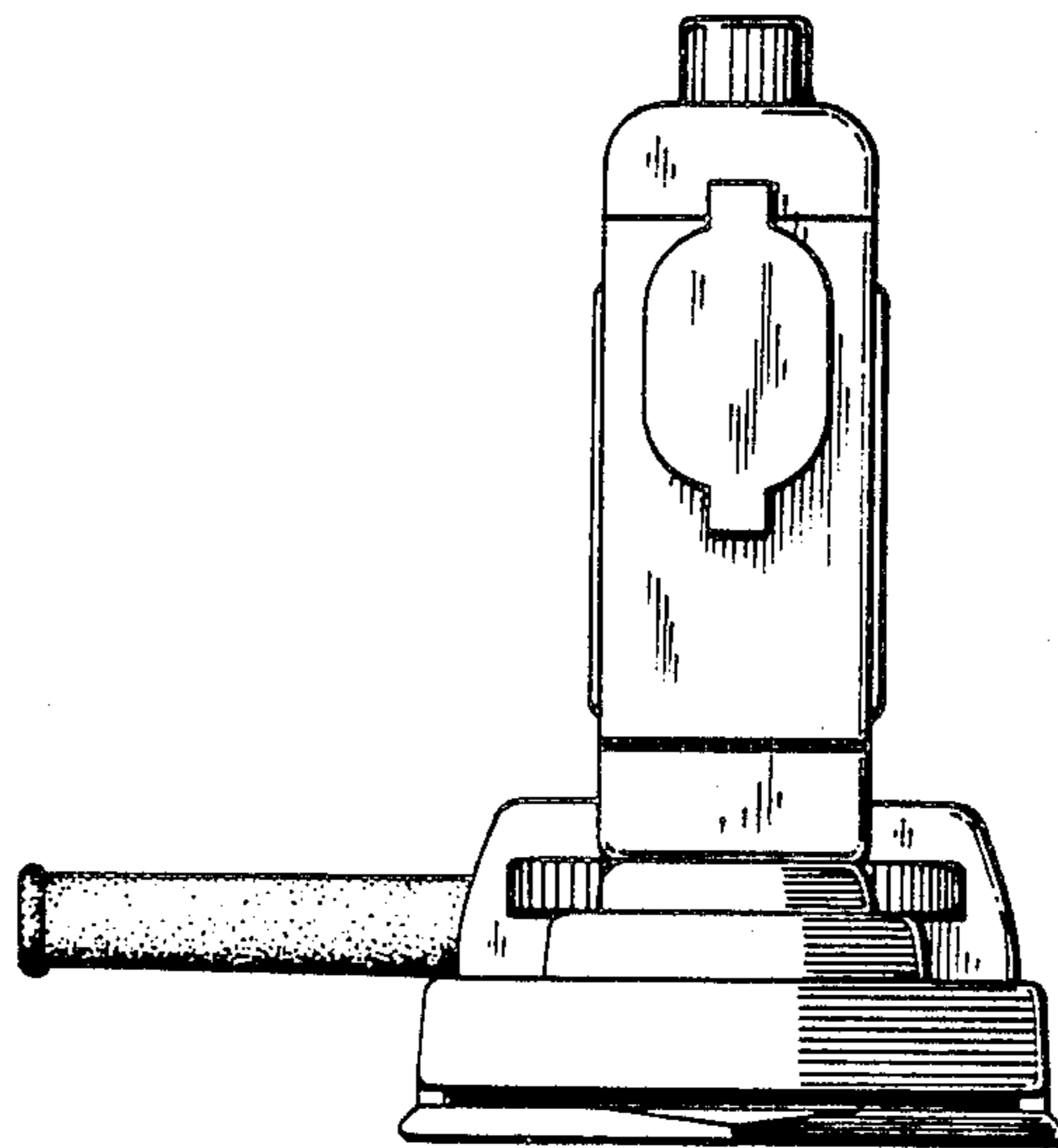


FIG 2

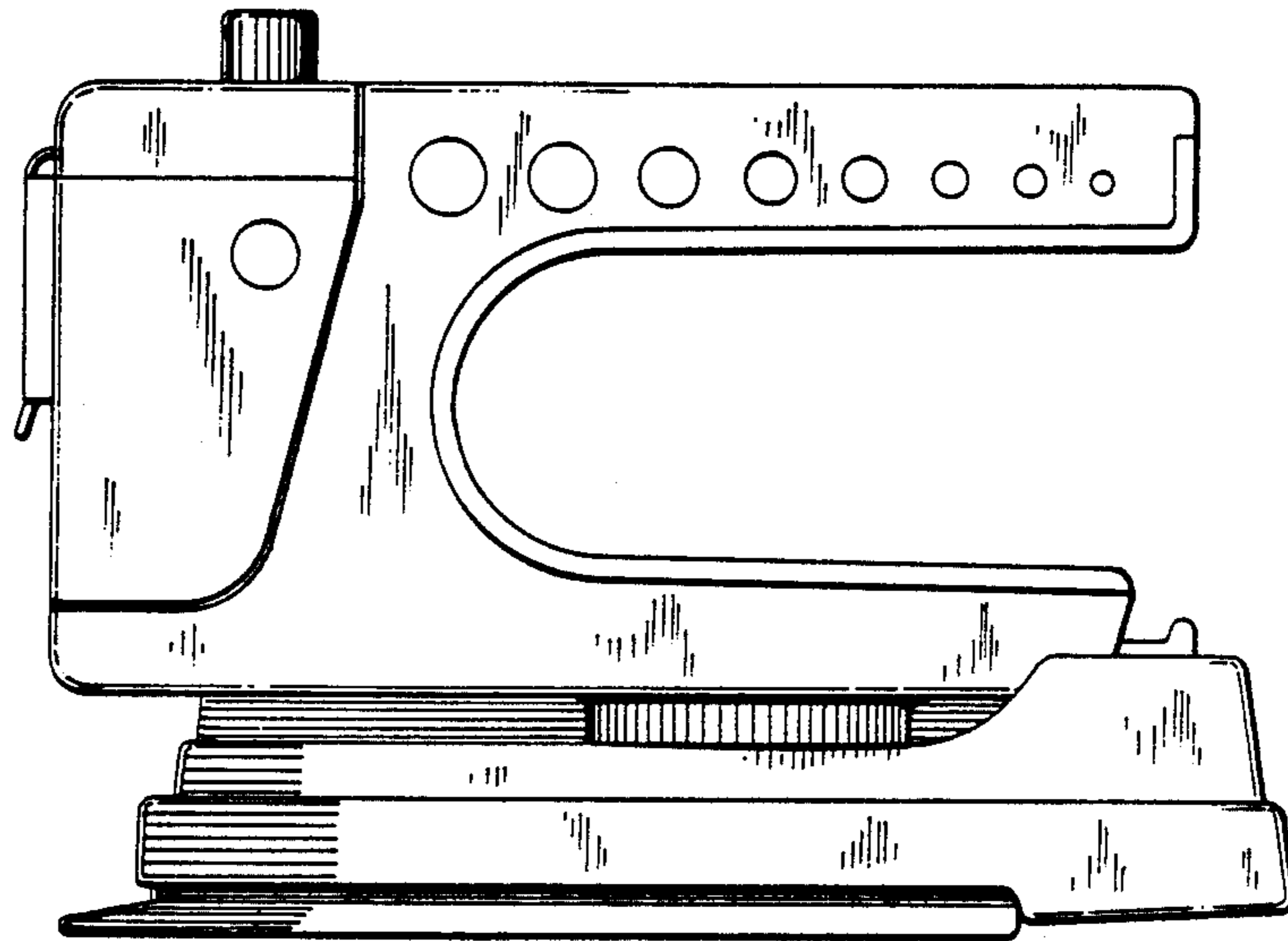


FIG 3

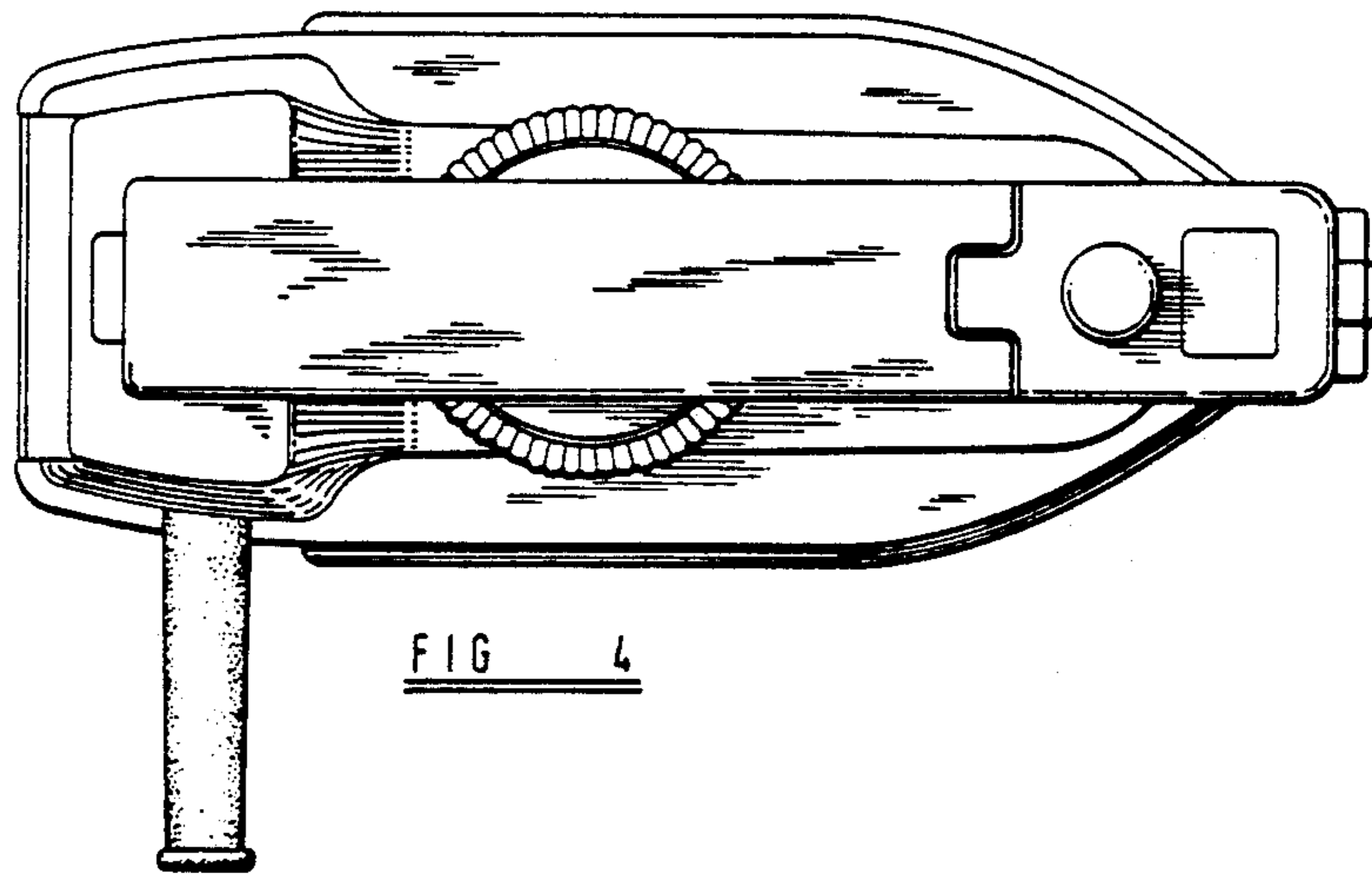


FIG 4

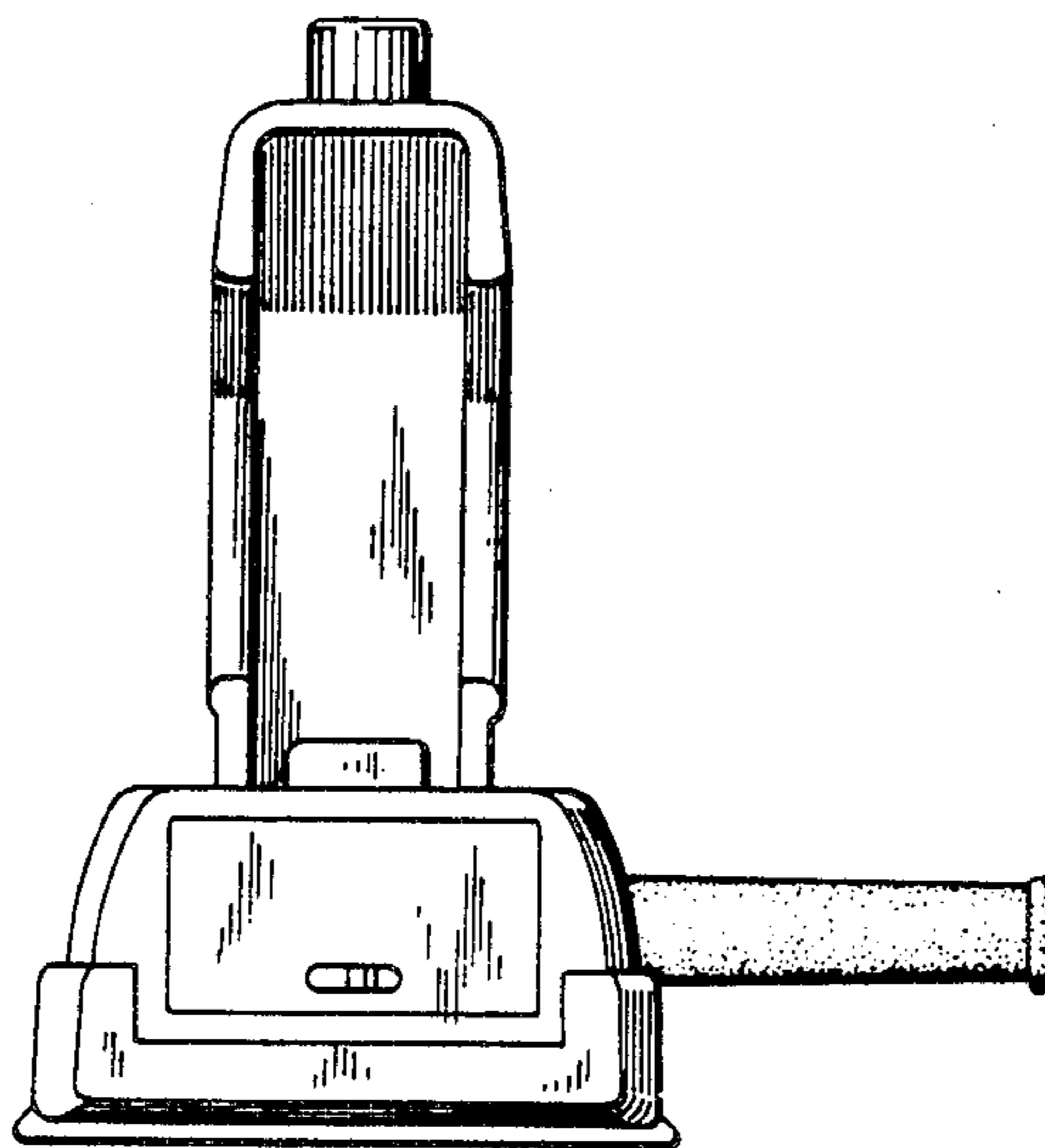


FIG 5

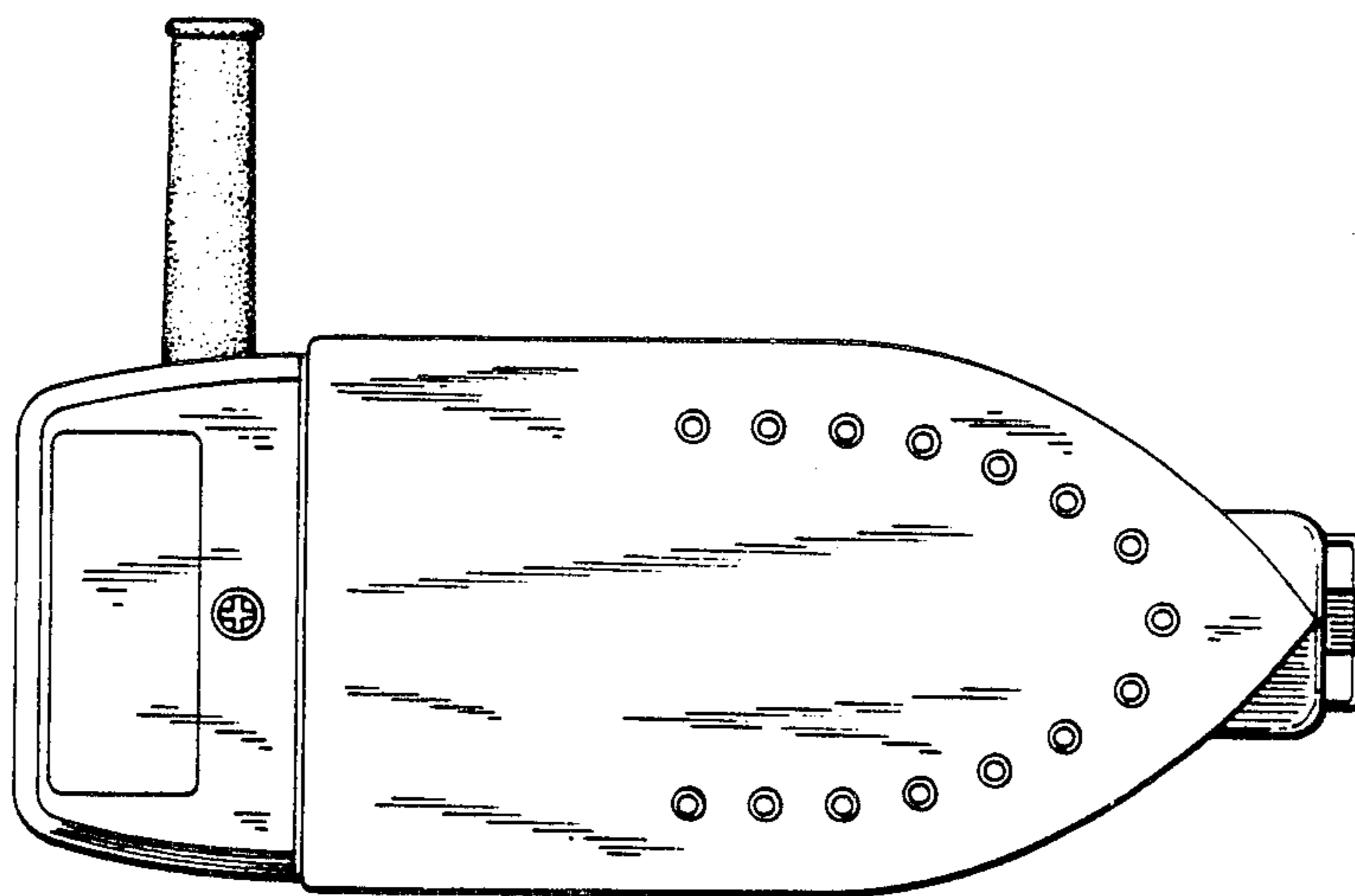


FIG 6

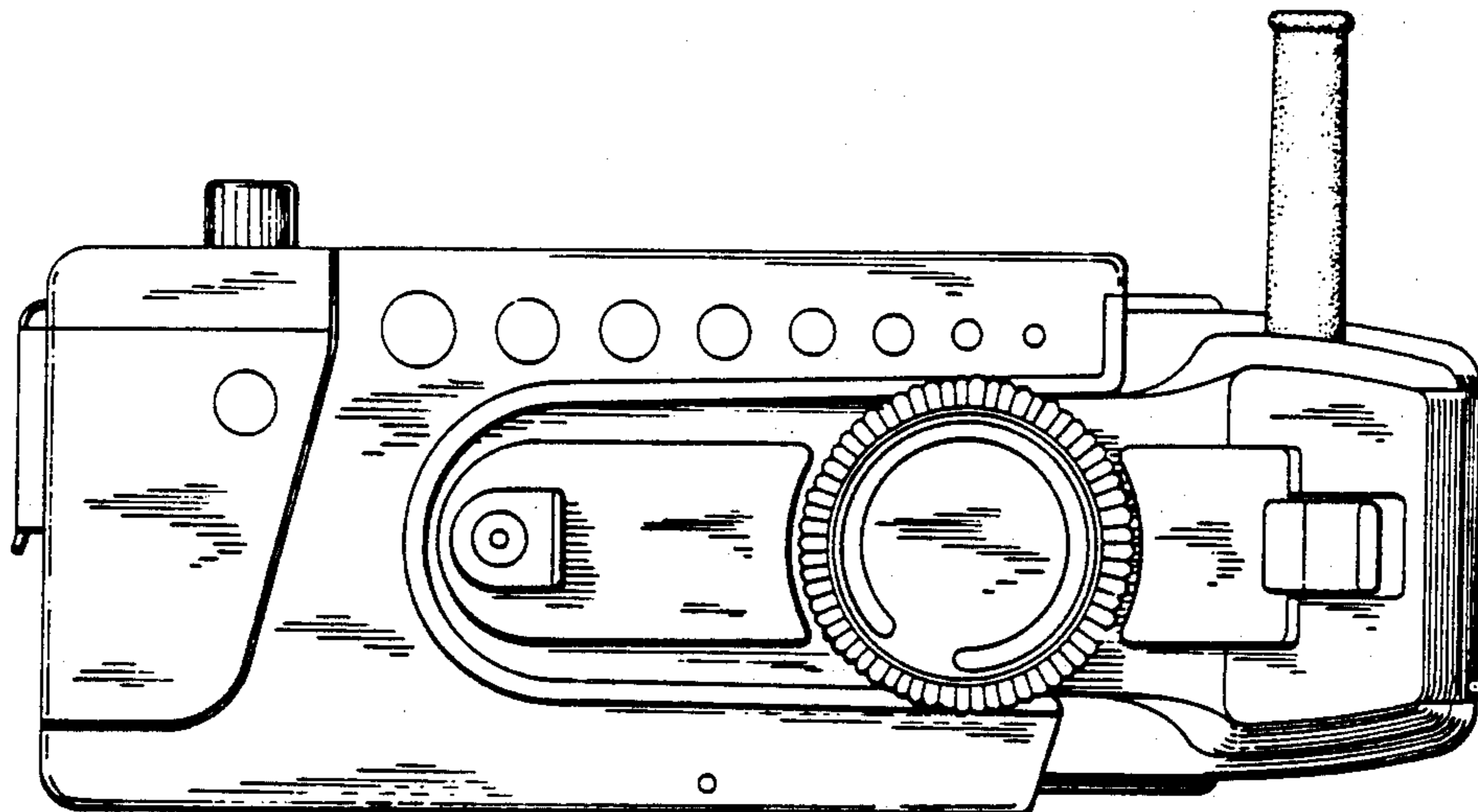


FIG 7

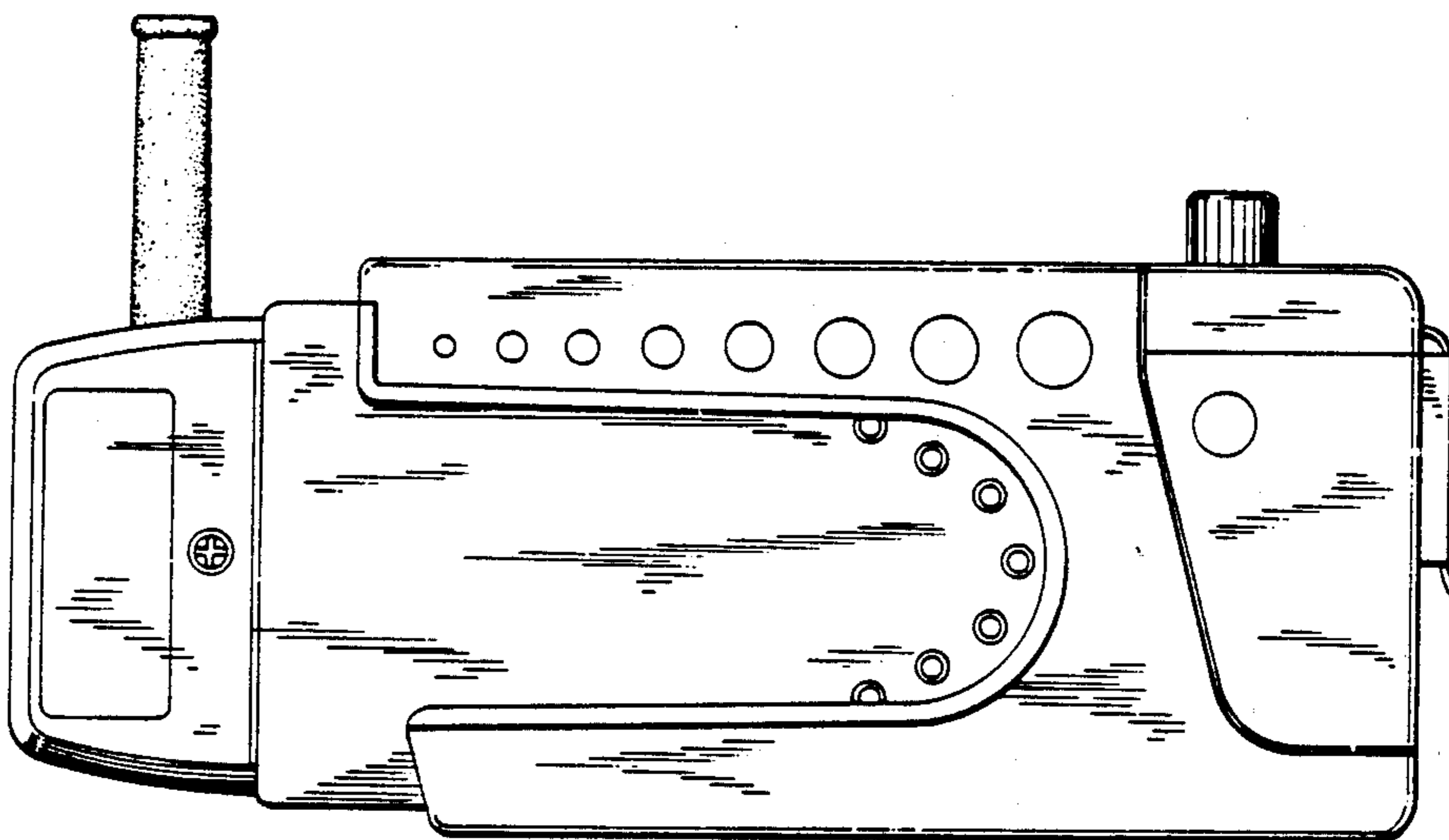


FIG 8

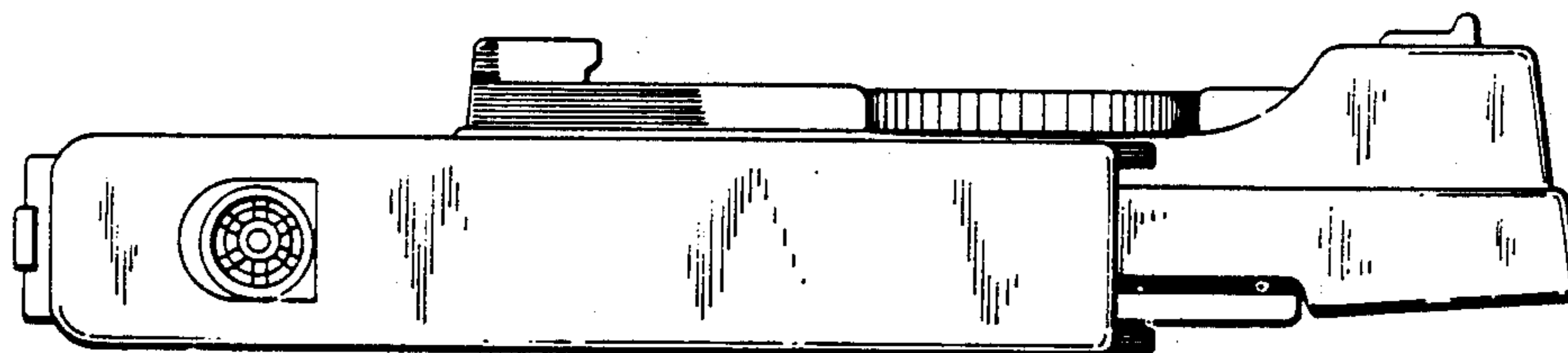


FIG 9