

[54] FIRE EXTINGUISHER

[76] Inventor: Patrick J. Cullen, 207 Penfield Pl., Dunellen, N.J. 08812

[\*\*] Term: 14 Years

[21] Appl. No.: 806,203

[22] Filed: Nov. 25, 1985

[52] U.S. Cl. .... D29/2

[58] Field of Search ..... D29/1, 2; 169/37, 26; 239/288.3; D23/213, 214

[56] References Cited

U.S. PATENT DOCUMENTS

D. 47,299	5/1915	Hickish	.....	D29/2
D. 47,300	5/1915	Hickish	.....	D29/2
D. 52,739	12/1918	Hendrickson	.....	D29/2
D. 62,534	6/1923	Frisbie	.....	D29/2
D. 66,997	4/1925	Wilbur	.....	D29/2
D. 220,326	3/1971	Huthsing, Jr.	.....	D29/2
D. 228,641	10/1973	McCulloch	.....	D29/2
3,797,746	3/1974	Gray et al.	.....	169/37
3,964,549	6/1976	McGill	.....	169/37

4,580,729 4/1986 Pounder ..... 169/37

FOREIGN PATENT DOCUMENTS

2741305 9/1977 Fed. Rep. of Germany ..... 169/37

OTHER PUBLICATIONS

FPS International Inc., brochure, 3/84.

Primary Examiner—Wallace R. Burke

Assistant Examiner—Kay H. Chin

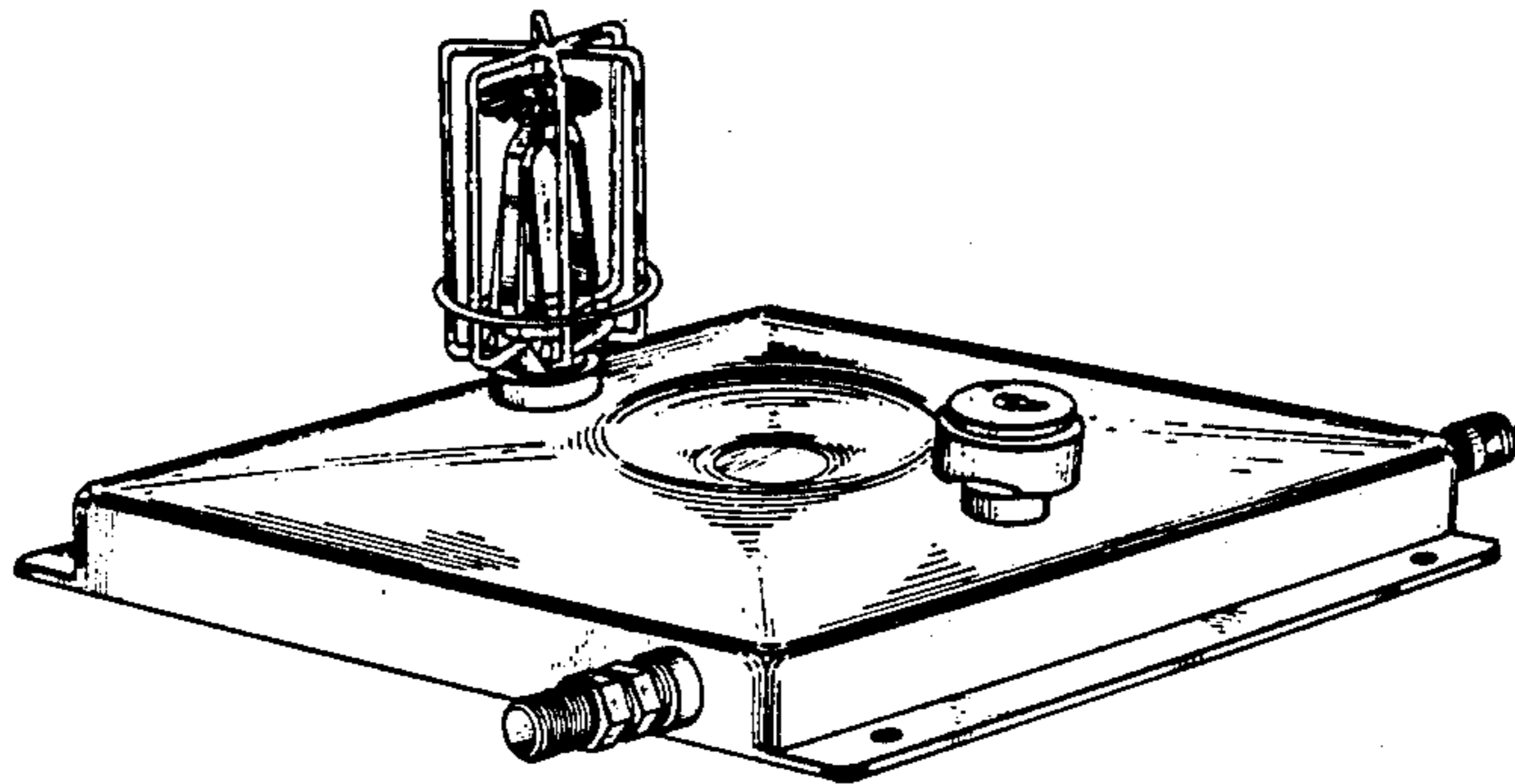
Attorney, Agent, or Firm—Anthony J. Casella; Gerald E. Hespos

[57] CLAIM

The ornamental design for a fire extinguisher, as shown.

DESCRIPTION

FIG. 1 is a perspective view of a fire extinguisher showing my new design; FIG. 2 is a front elevational view thereof; FIG. 3 is a rear elevational view thereof; FIG. 4 is a left side elevational view thereof; FIG. 5 is a right side elevational view thereof; FIG. 6 is a top plan view thereof; and FIG. 7 is a bottom plan view thereof.



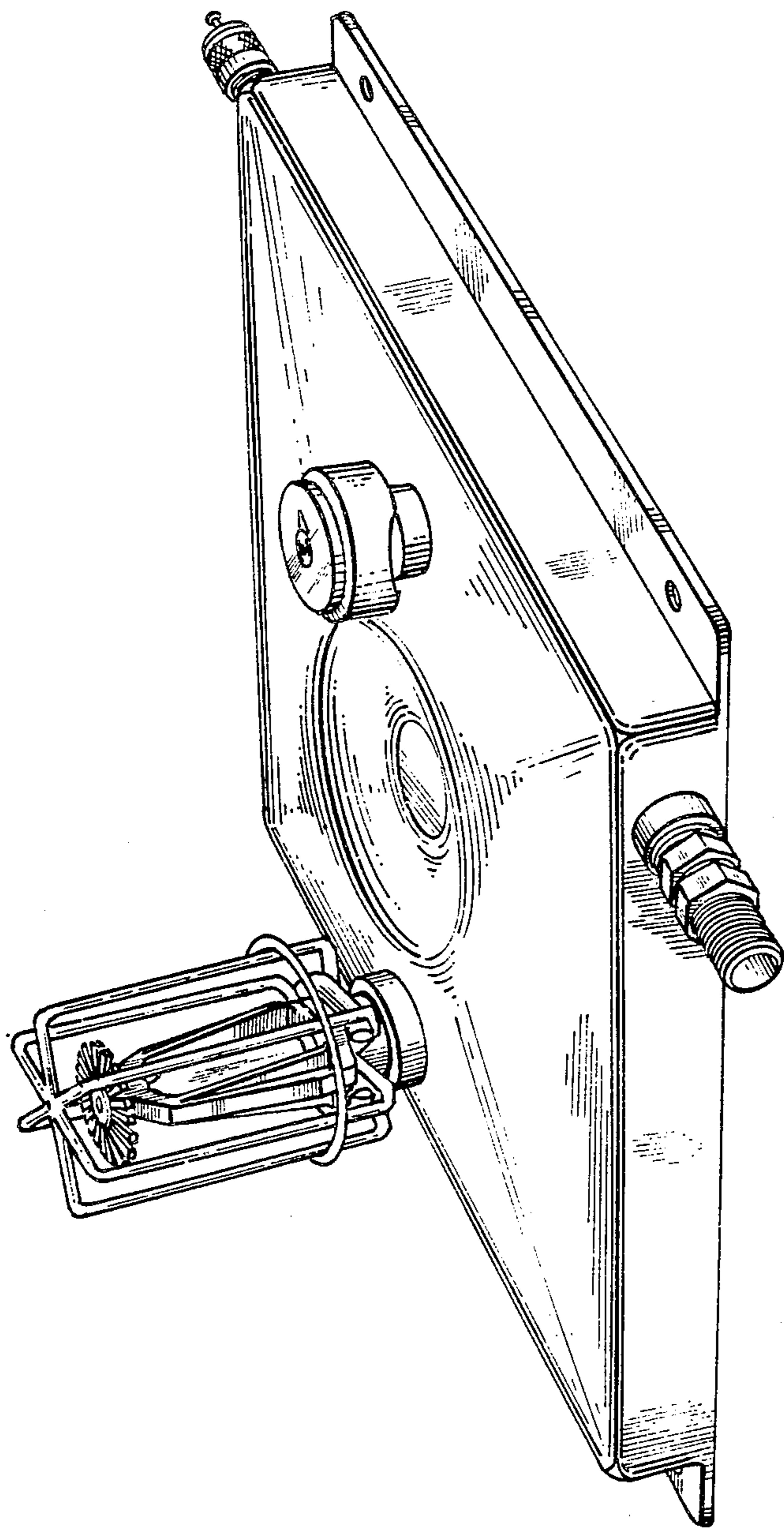


FIG. 1

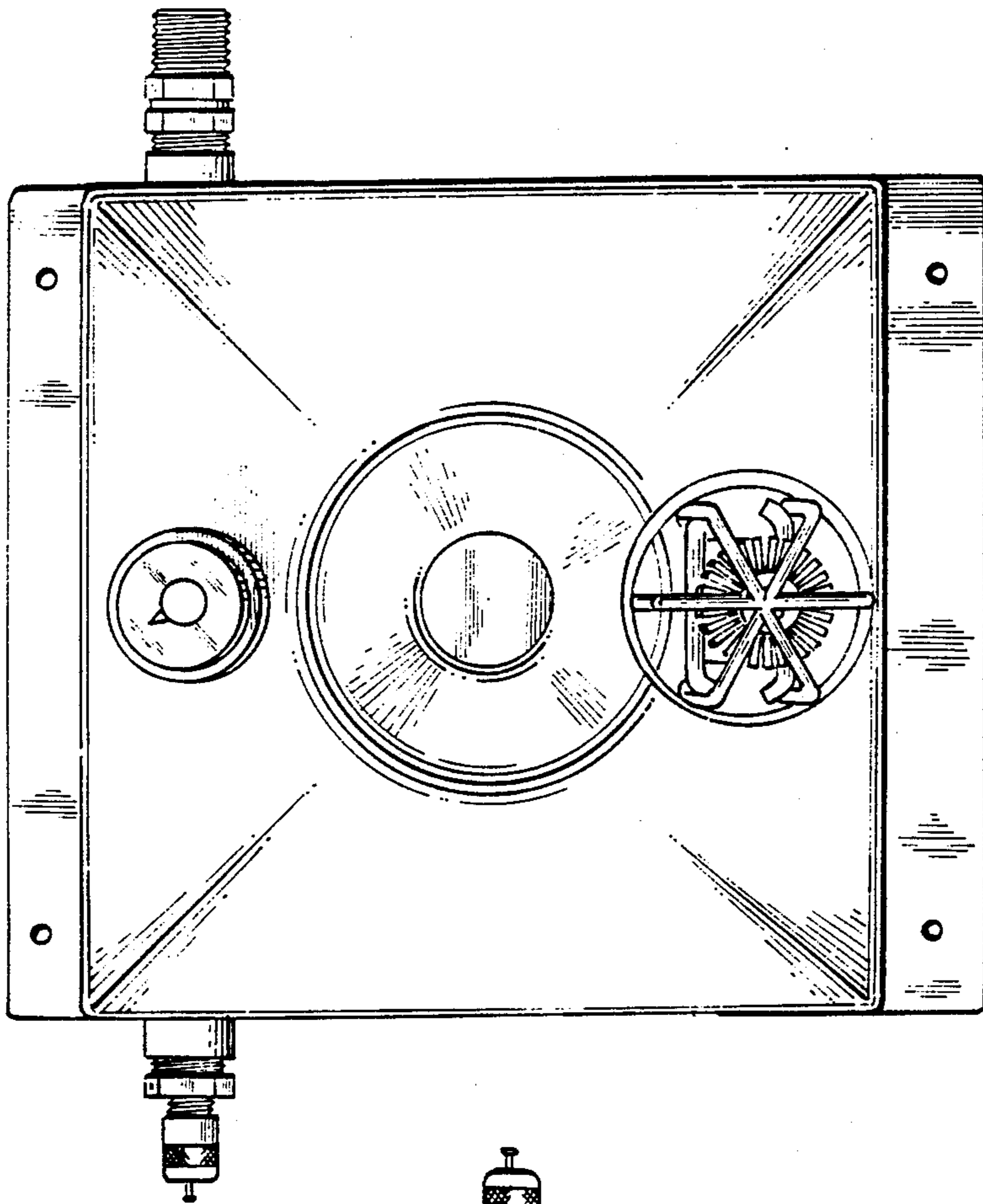
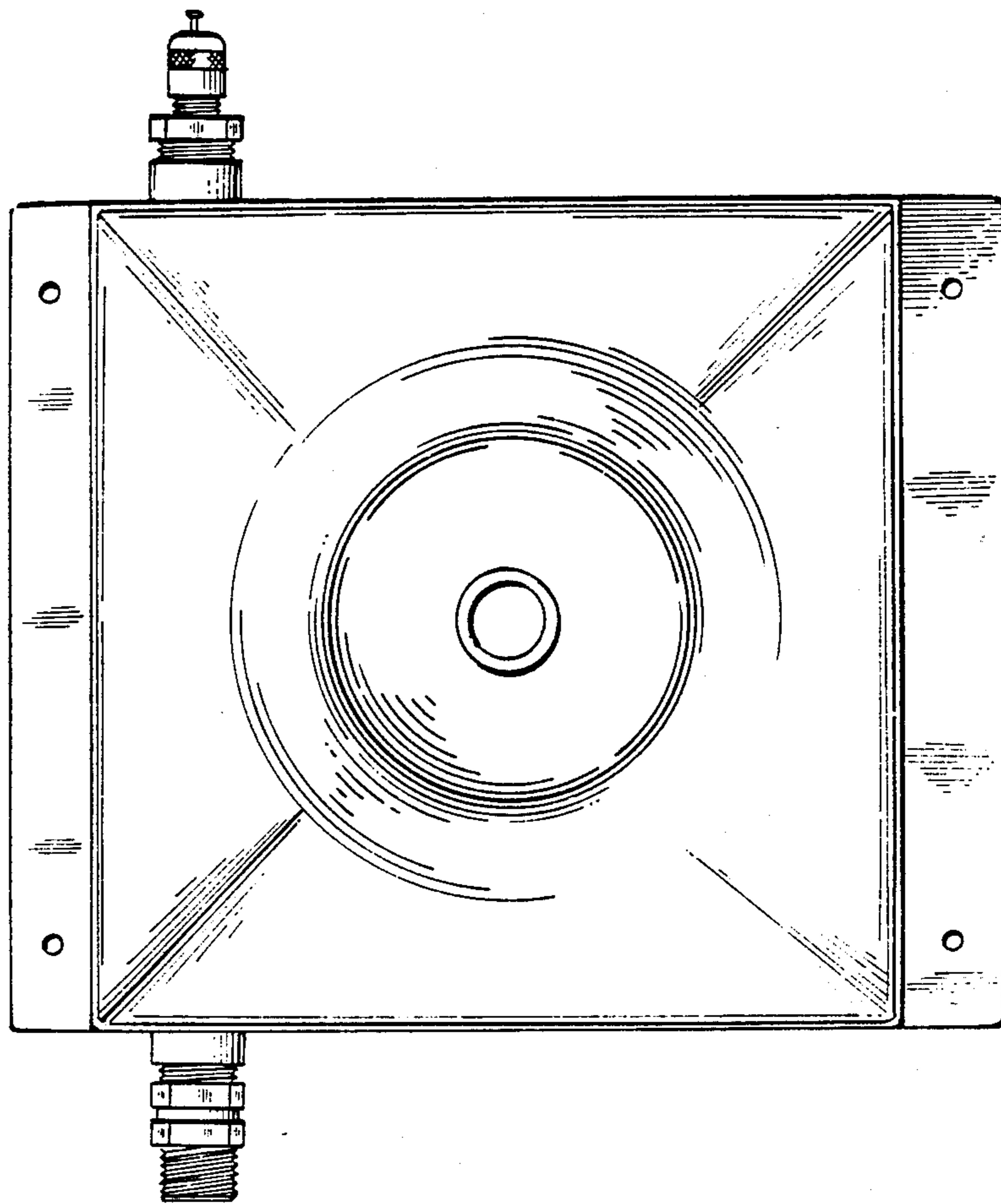


FIG. 2

FIG. 3



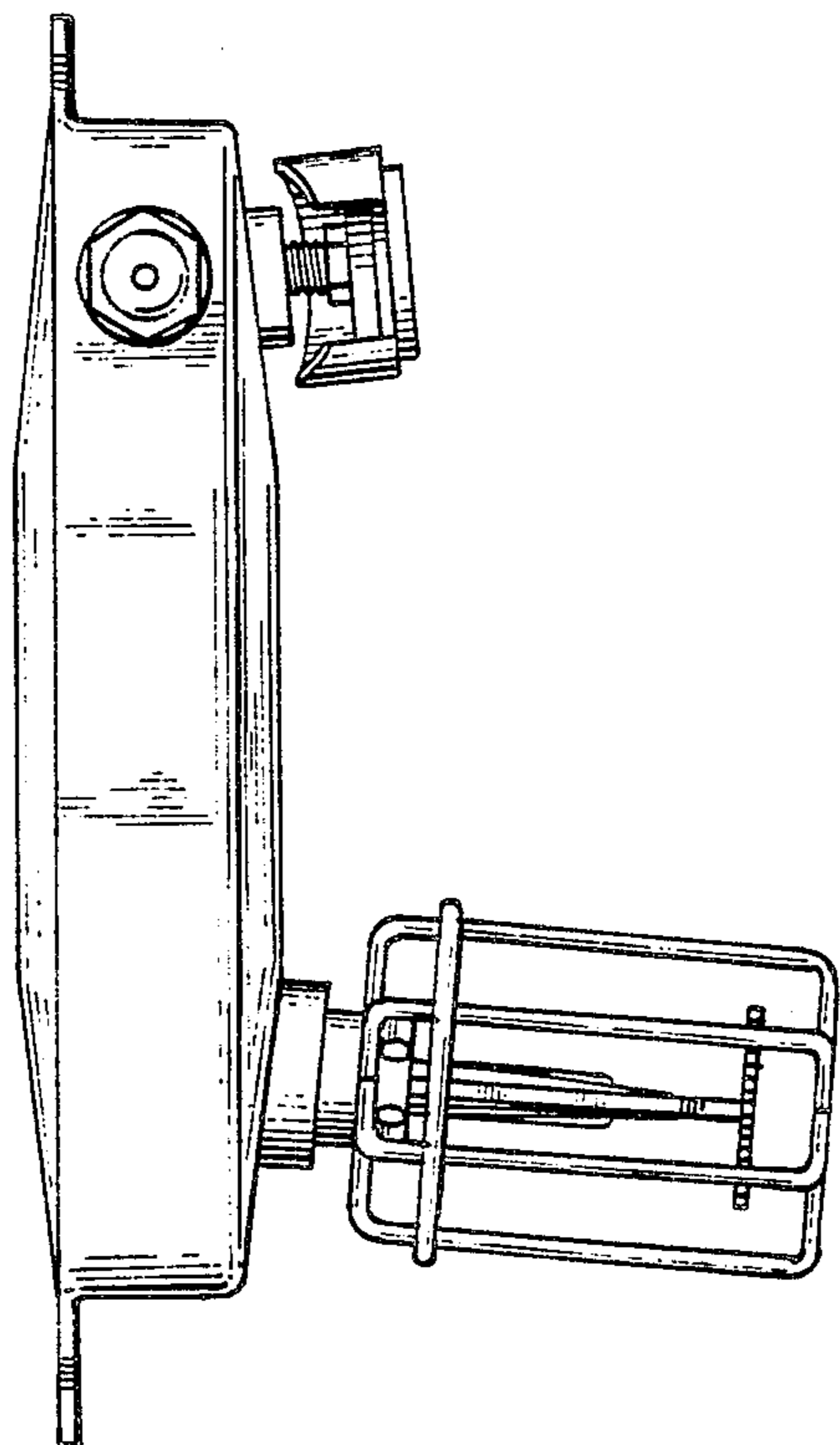


FIG. 4

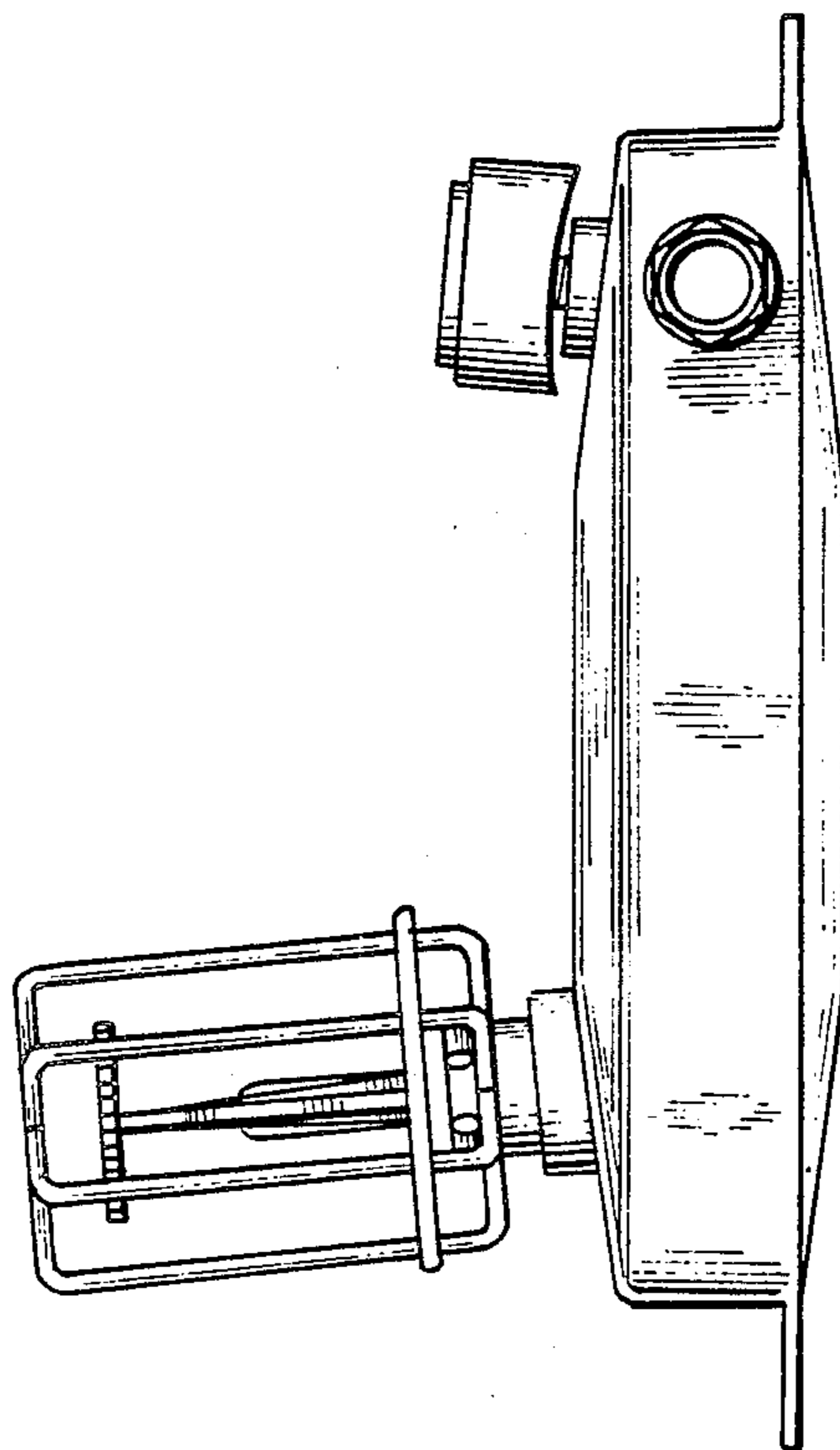


FIG. 5

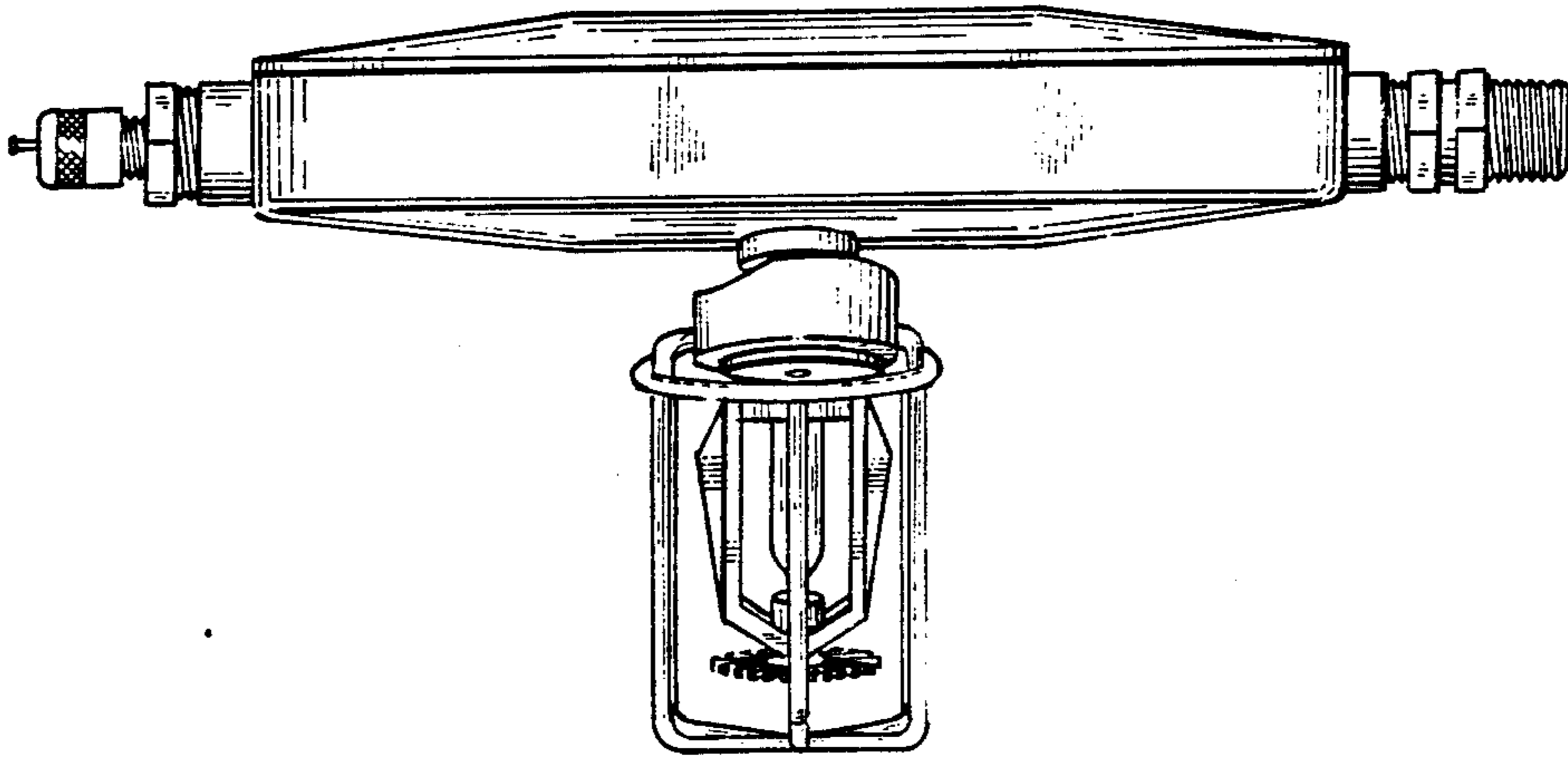


FIG. 6

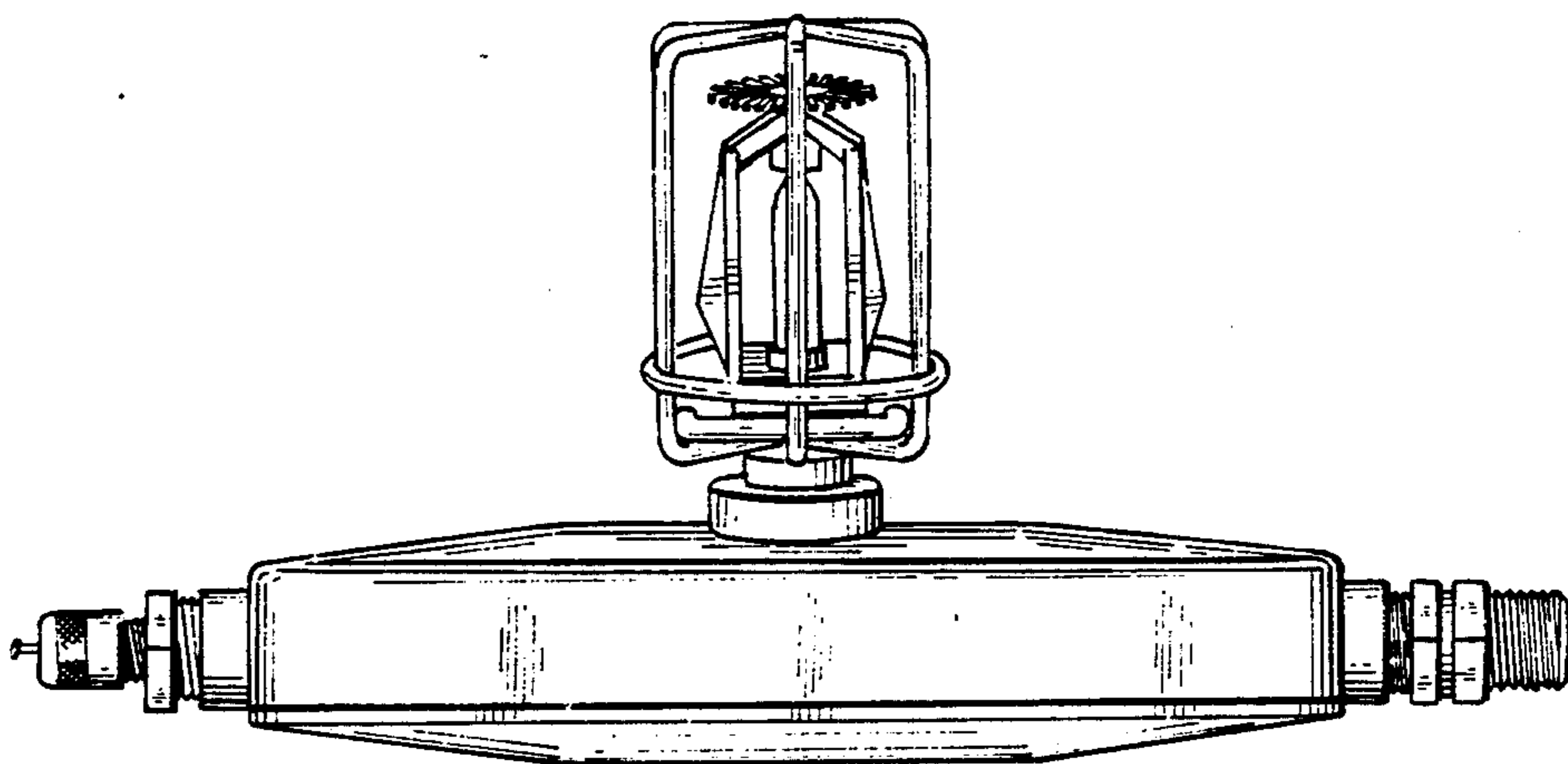


FIG. 7