

[54] MULLION

[76] Inventor: Douglas C. Sperr, 4301 E. Everett Dr., Phoenix, Ariz. 85032

[**] Term: 14 Years

[21] Appl. No.: 776,750

[22] Filed: Sep. 16, 1985

[52] U.S. Cl. D25/122; D25/124

[58] Field of Search D25/119, 120, 121, 122, D25/124; 52/475, 476, 721, 731, 732, 716, 202, 203

[56] References Cited

U.S. PATENT DOCUMENTS

3,023,859	3/1962	Muessel	52/731
3,579,943	5/1971	Tam	52/475
3,961,452	6/1976	Hubbard et al.	52/731
4,006,573	2/1977	Biebuyck	52/732

Primary Examiner—James M. Gandy

Attorney, Agent, or Firm—Don J. Flickinger; Jordan M. Meschkow

[57] CLAIM

The ornamental design for a mullion, as shown and described.

DESCRIPTION

FIG. 1 is a perspective view of a mullion showing my new design which has been broken away at one end to indicate indeterminate length;

FIG. 2 is an end elevation view thereof;

FIG. 3 is a top plan view thereof on a reduced scale;

FIG. 4 is a bottom plan view thereof on a reduce scale;

FIG. 5 is a side elevation view thereof on a reduced scale;

FIG. 6 is a perspective view of a mullion showing a second embodiment of my new design which has been broken away at one end to indicate indeterminate length;

FIG. 7 is an end elevation view of FIG. 6;

FIG. 8 is a top plan view of FIG. 6 on a reduced scale;

FIG. 9 is a bottom plan view of FIG. 6 on a reduced scale; and

FIG. 10 is a side elevation view of FIG. 6 on a reduced scale.

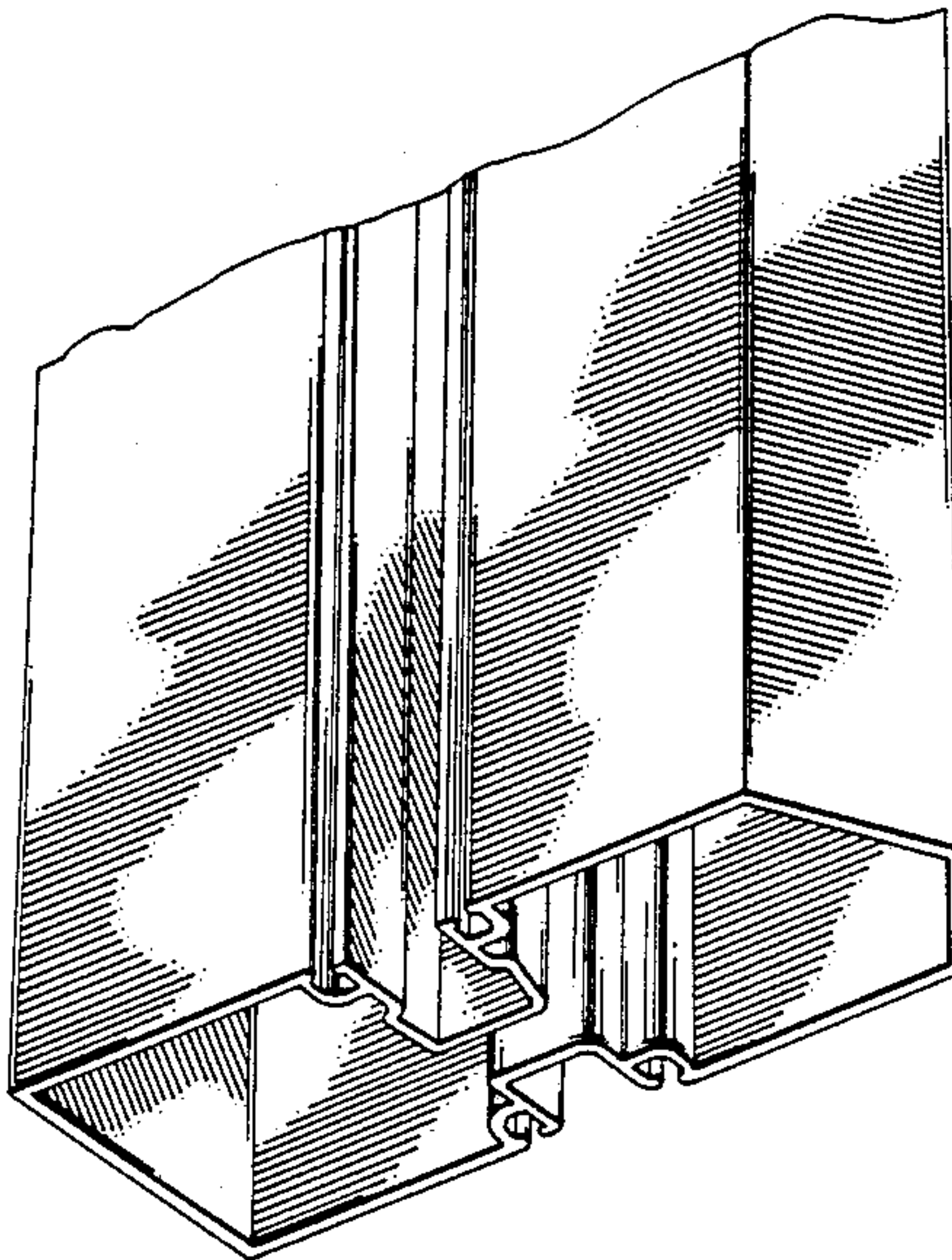


FIG. 1

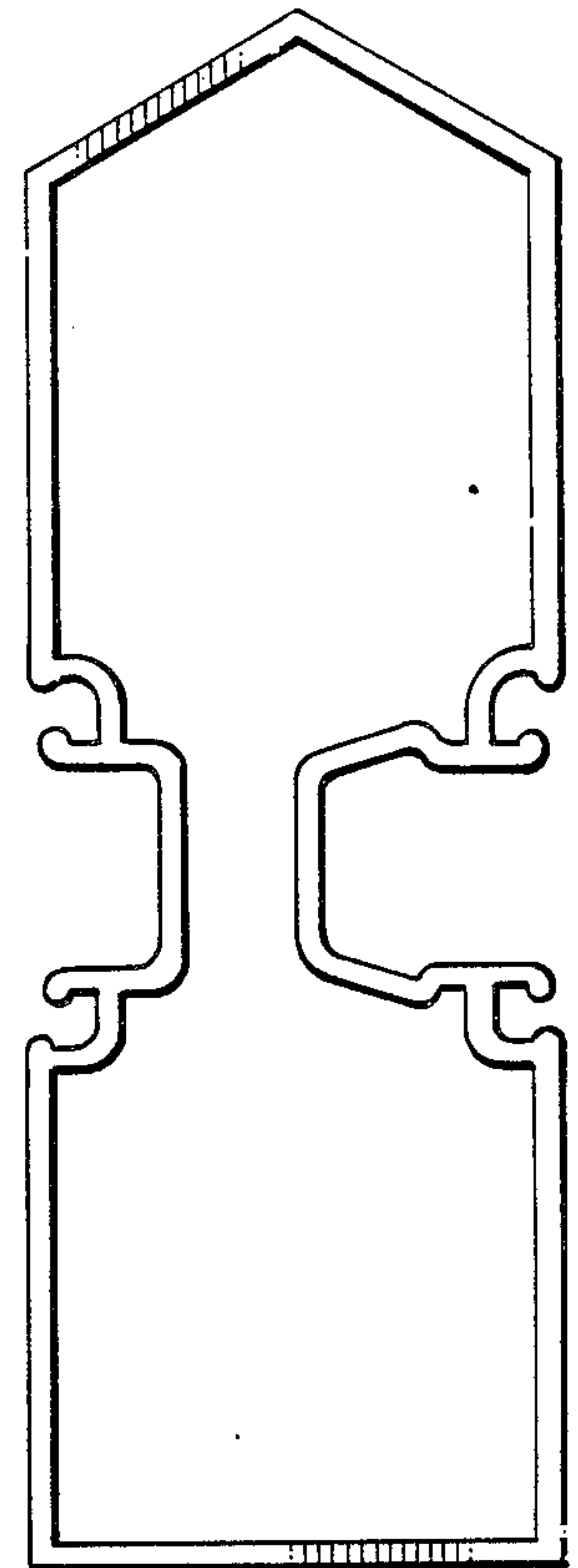
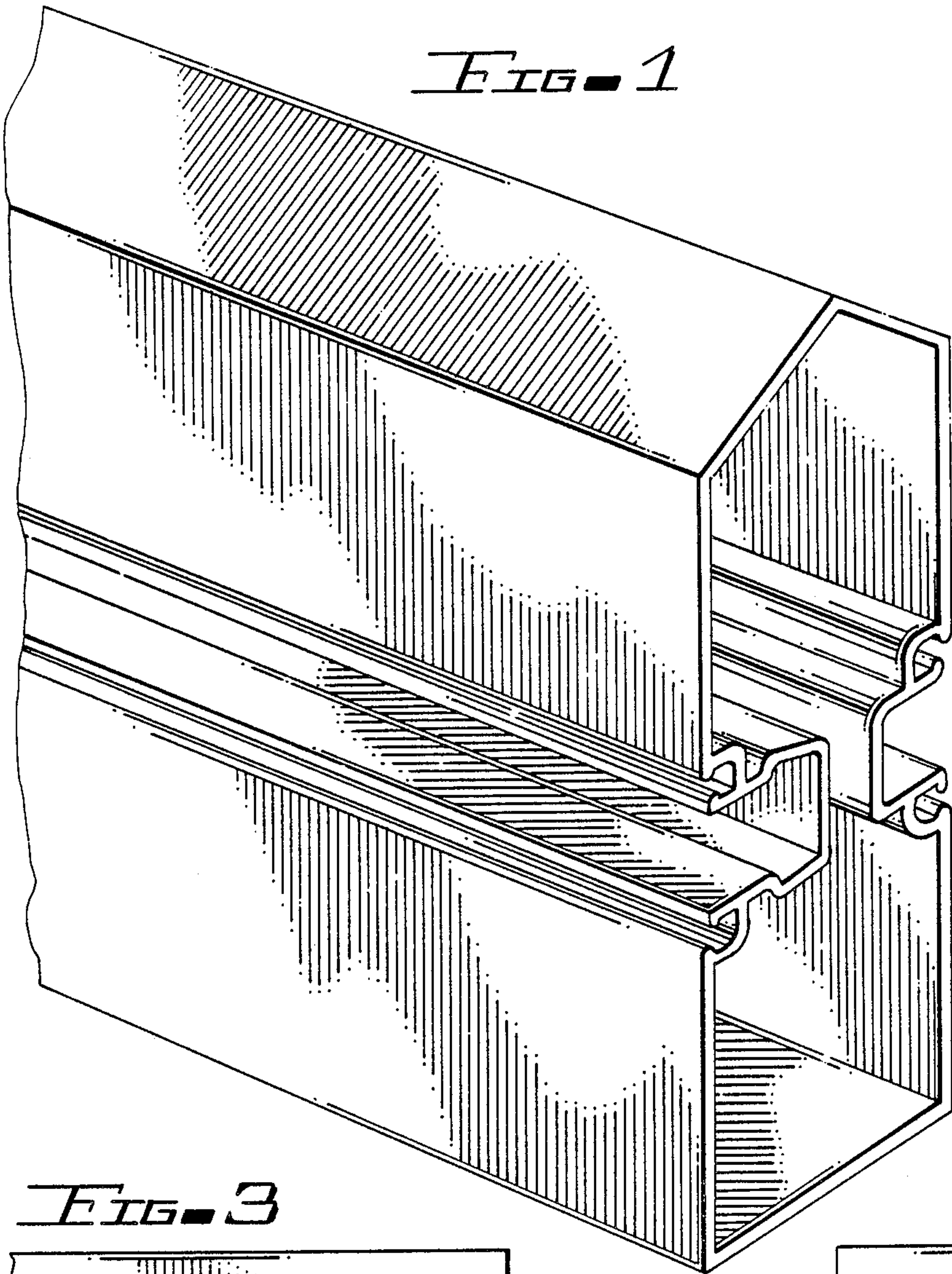


FIG. 2

FIG. 3

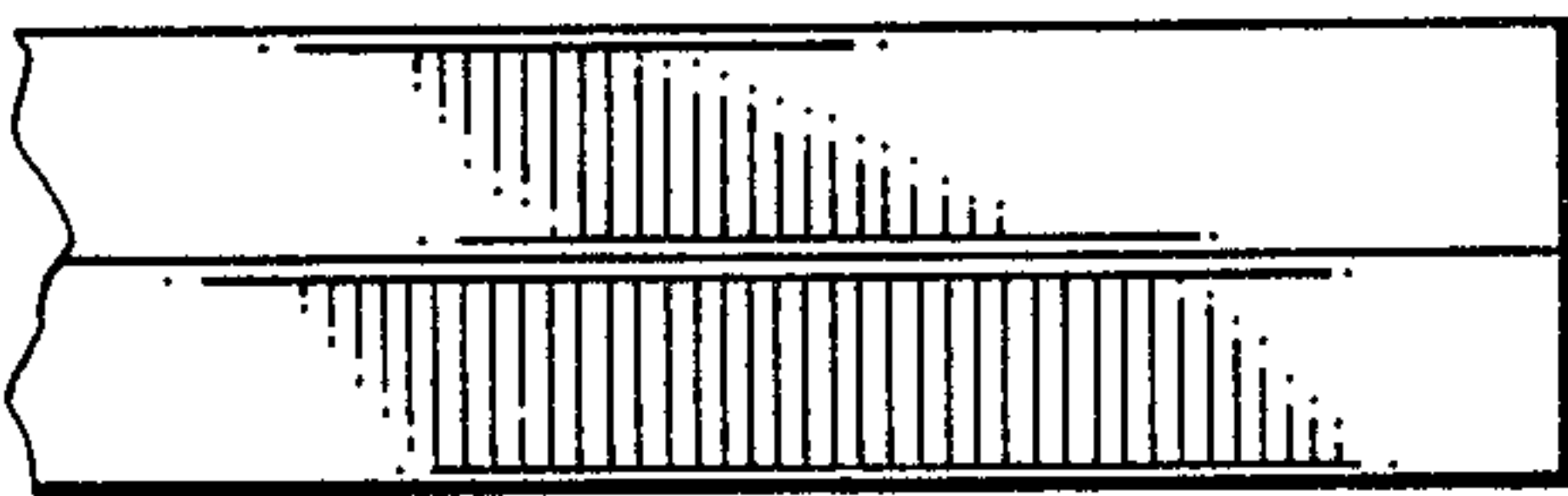


FIG. 4

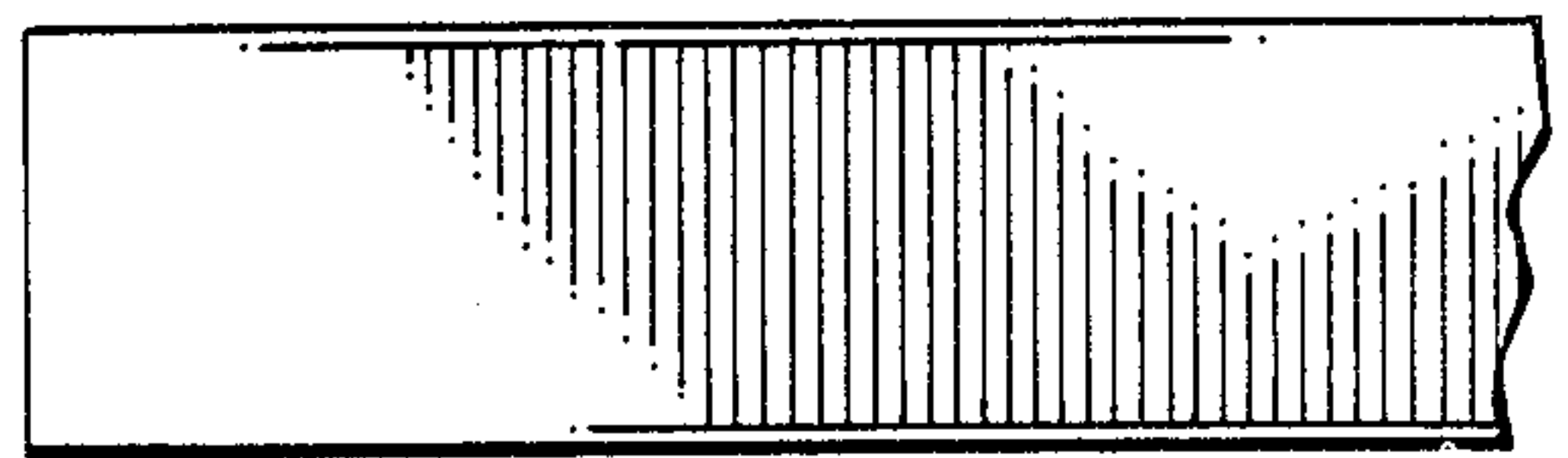


FIG. 5

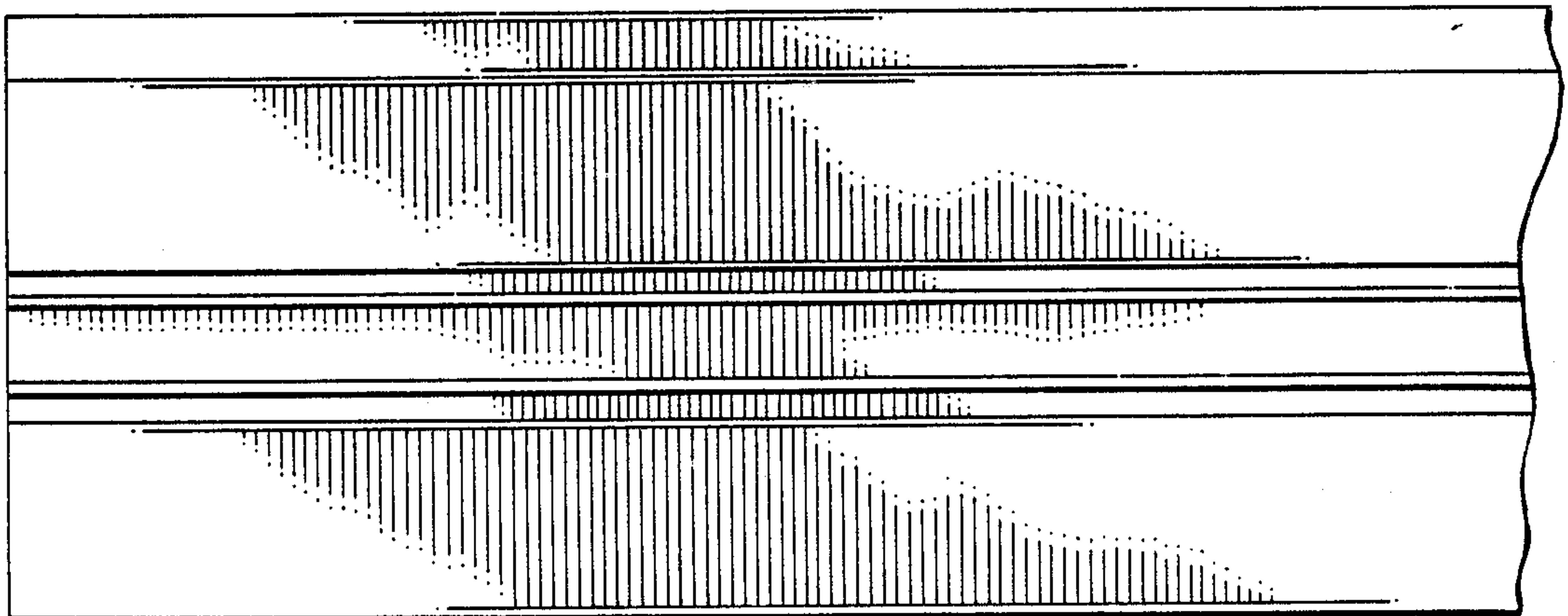


FIG. 6

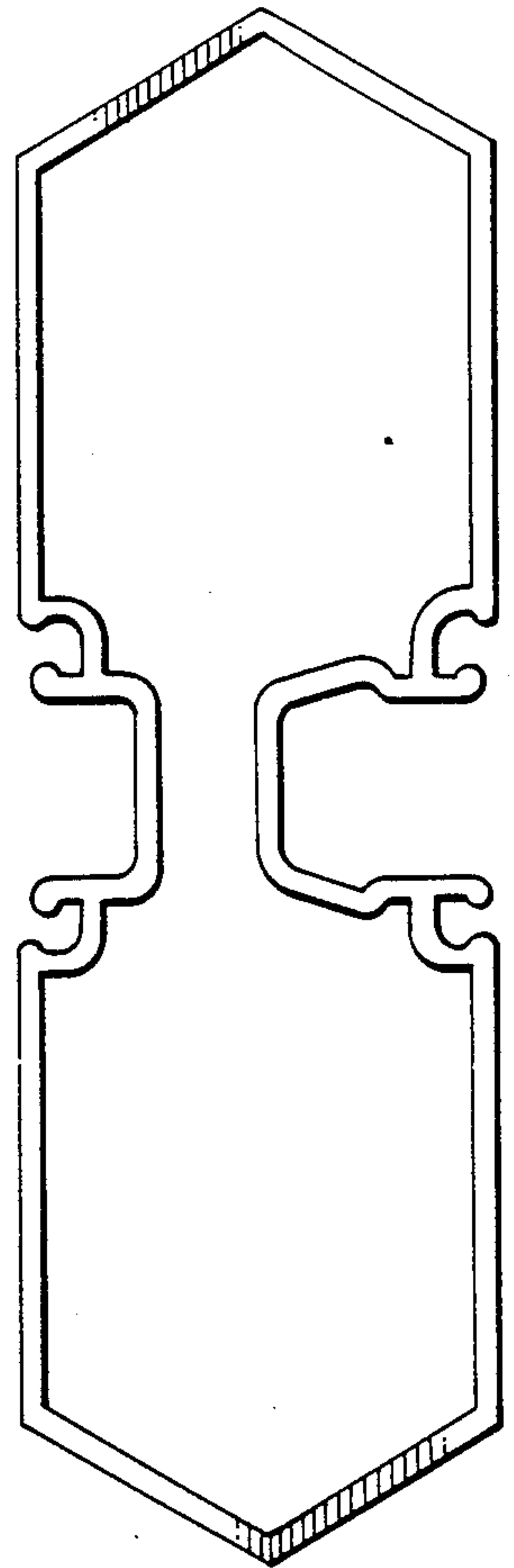
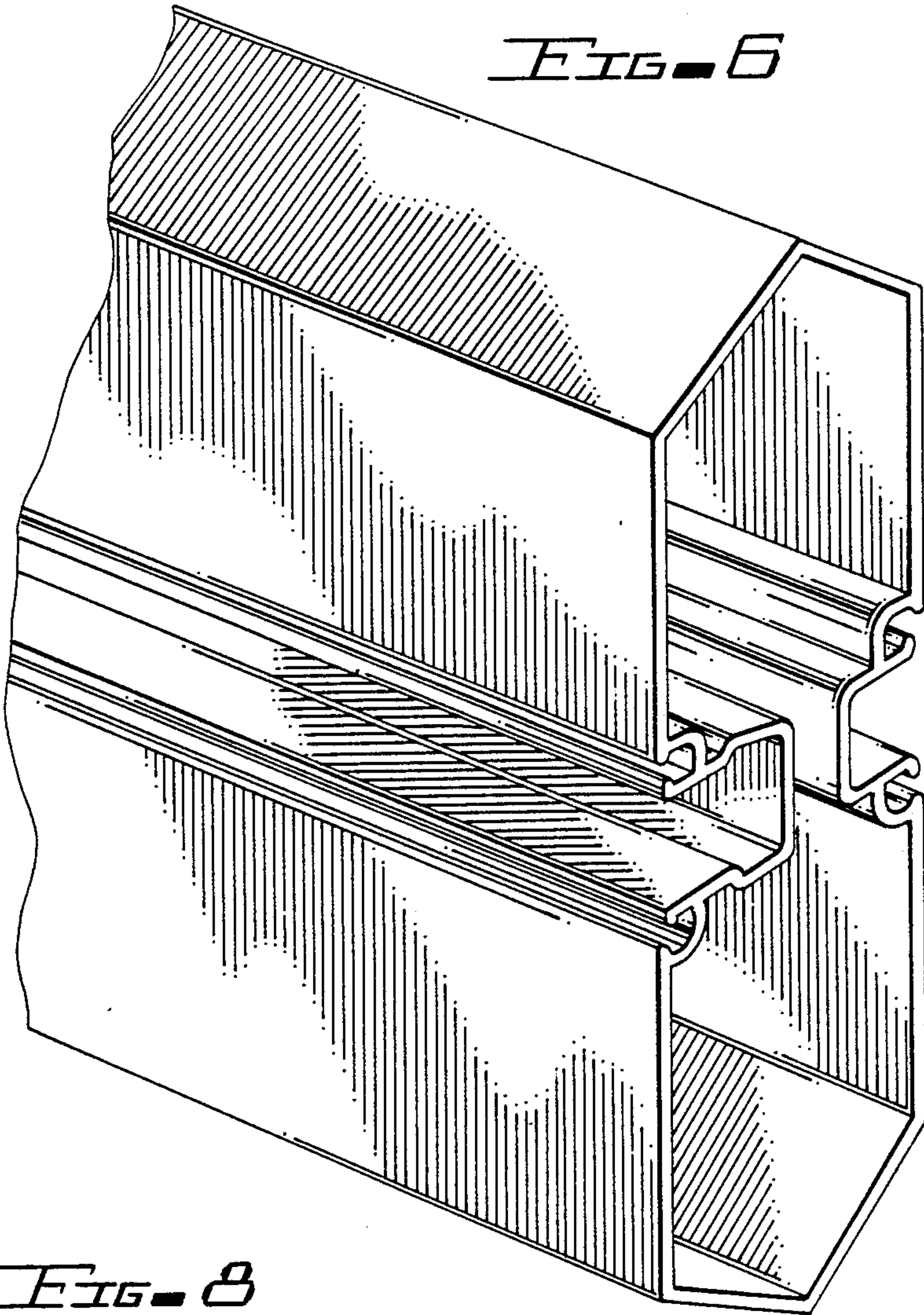


FIG. 7

FIG. 8

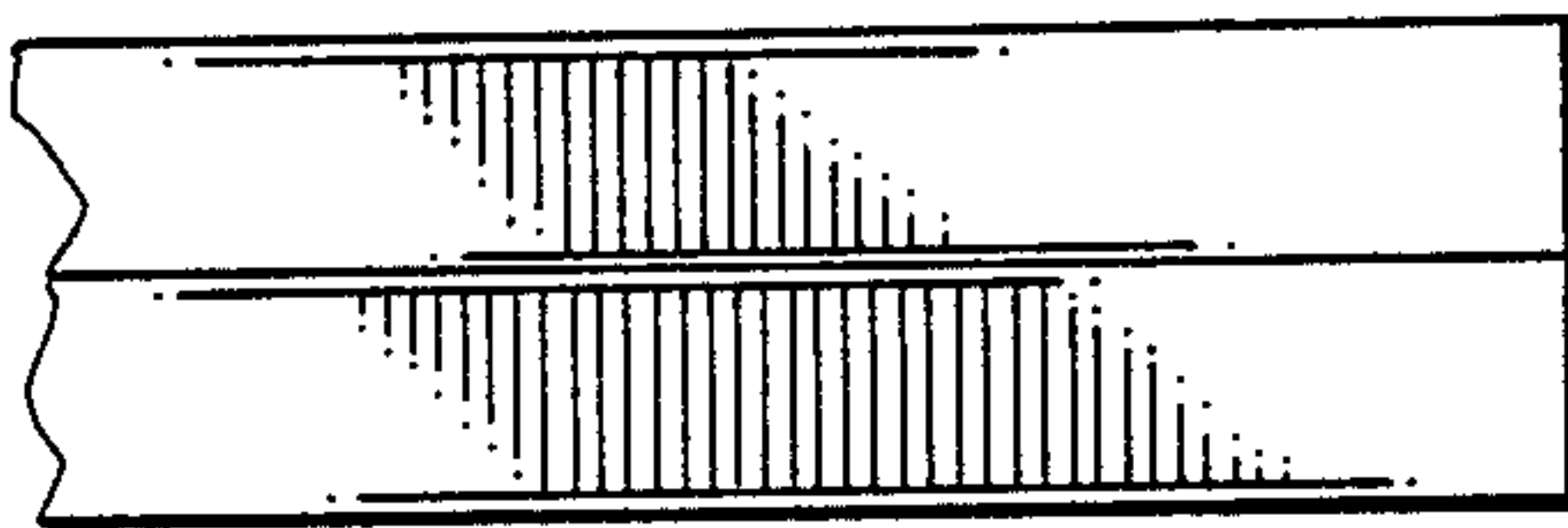


FIG. 9

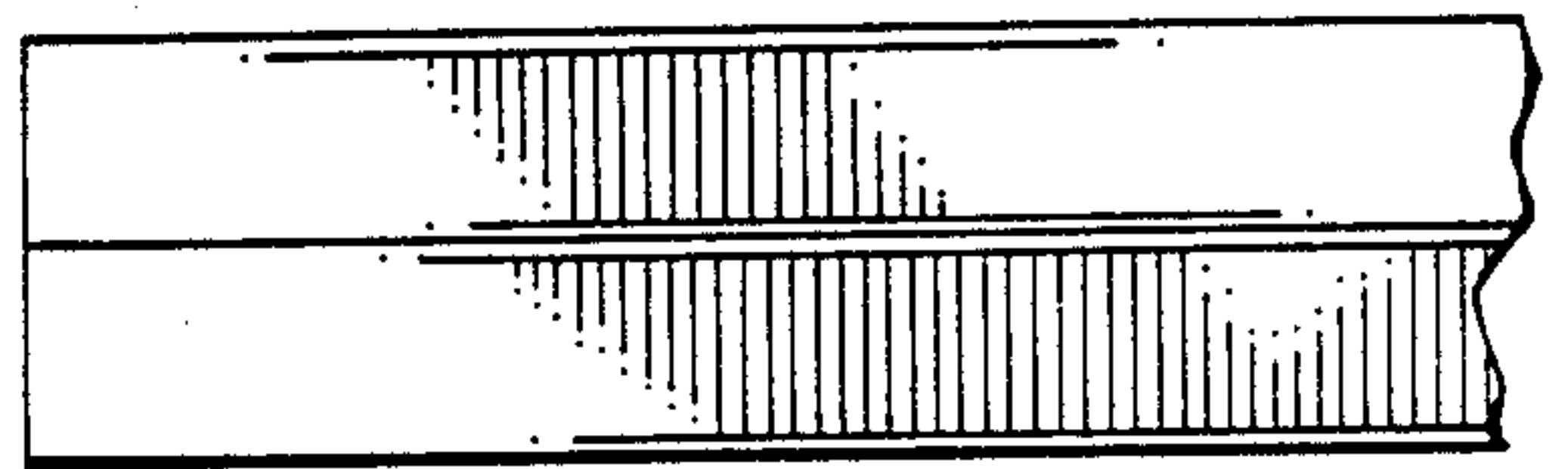


FIG. 10

