

[54] LABORATORY GLASS JOINT

[76] Inventor: Robert J. Miskinis, 9330 Stevens Rd., Santee, Calif. 92071

[\*\*] Term: 14 Years

[21] Appl. No.: 723,439

[22] Filed: Apr. 15, 1985

[52] U.S. Cl. .... D24/29; D24/8

[58] Field of Search ..... D24/8, 29; D8/397; 411/427; 422/99, 103

[56] References Cited

U.S. PATENT DOCUMENTS

- 1,882,462 10/1932 Weber ..... 411/427 X
- 4,391,779 7/1983 Miskinis ..... 422/99

OTHER PUBLICATIONS

American Scientific Products, ©1981-1982, ground joints, item #G9005, p. 512.

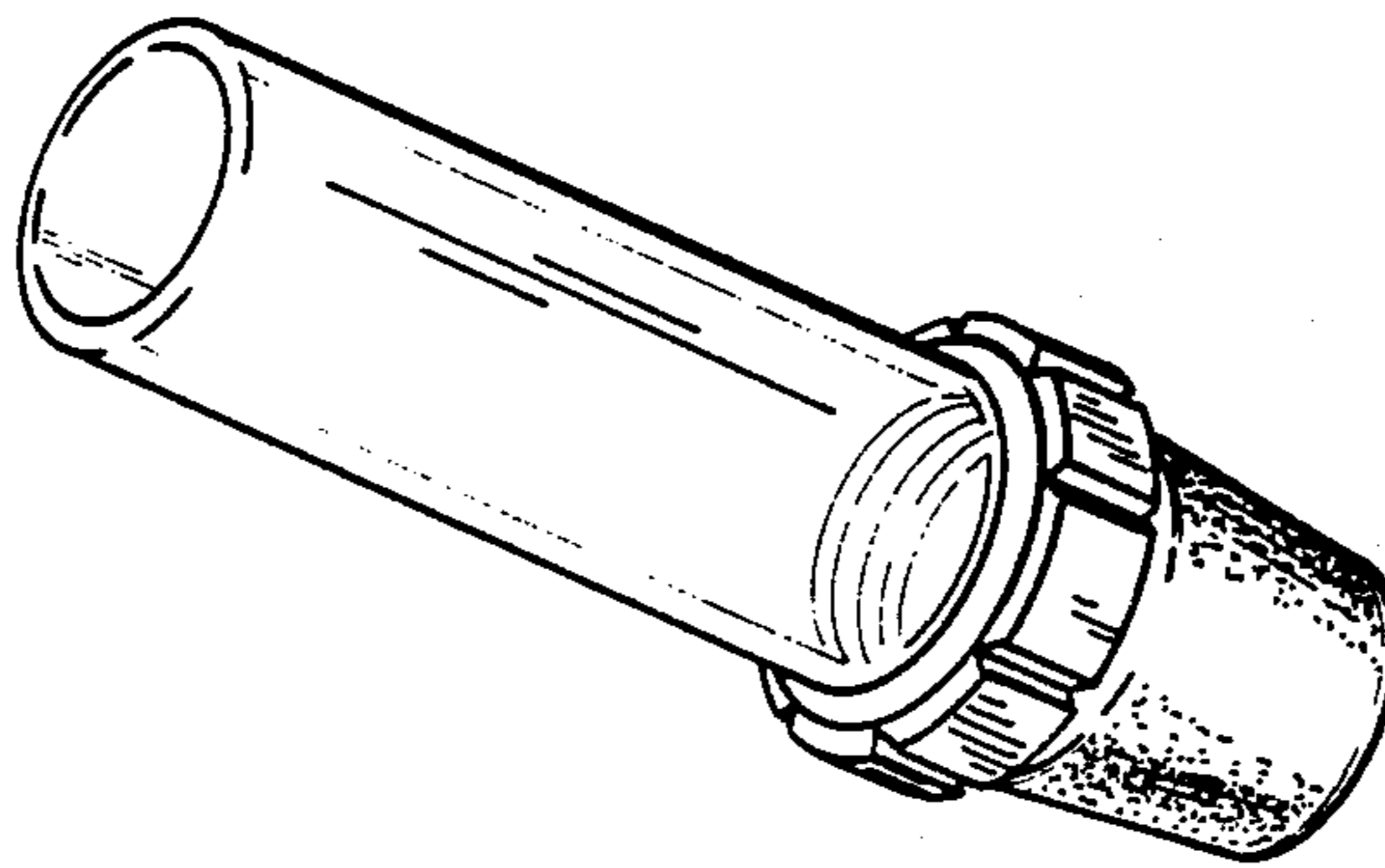
Primary Examiner—A. Hugo Word  
Assistant Examiner—Stella M. Reid  
Attorney, Agent, or Firm—George J. Rubens

[57] CLAIM

The ornamental design for a laboratory glass joint, as shown and described.

DESCRIPTION

FIG. 1 is a top perspective view of a laboratory glass joint showing my new design in assembled condition; FIG. 2 is a side elevation view thereof; FIG. 3 is an exploded side elevational view thereof, in disassembled condition and in quarter section taken along line 3—3 of FIG. 4; FIG. 4 is a top plan view thereof; and FIG. 5 is a bottom plan view thereof.



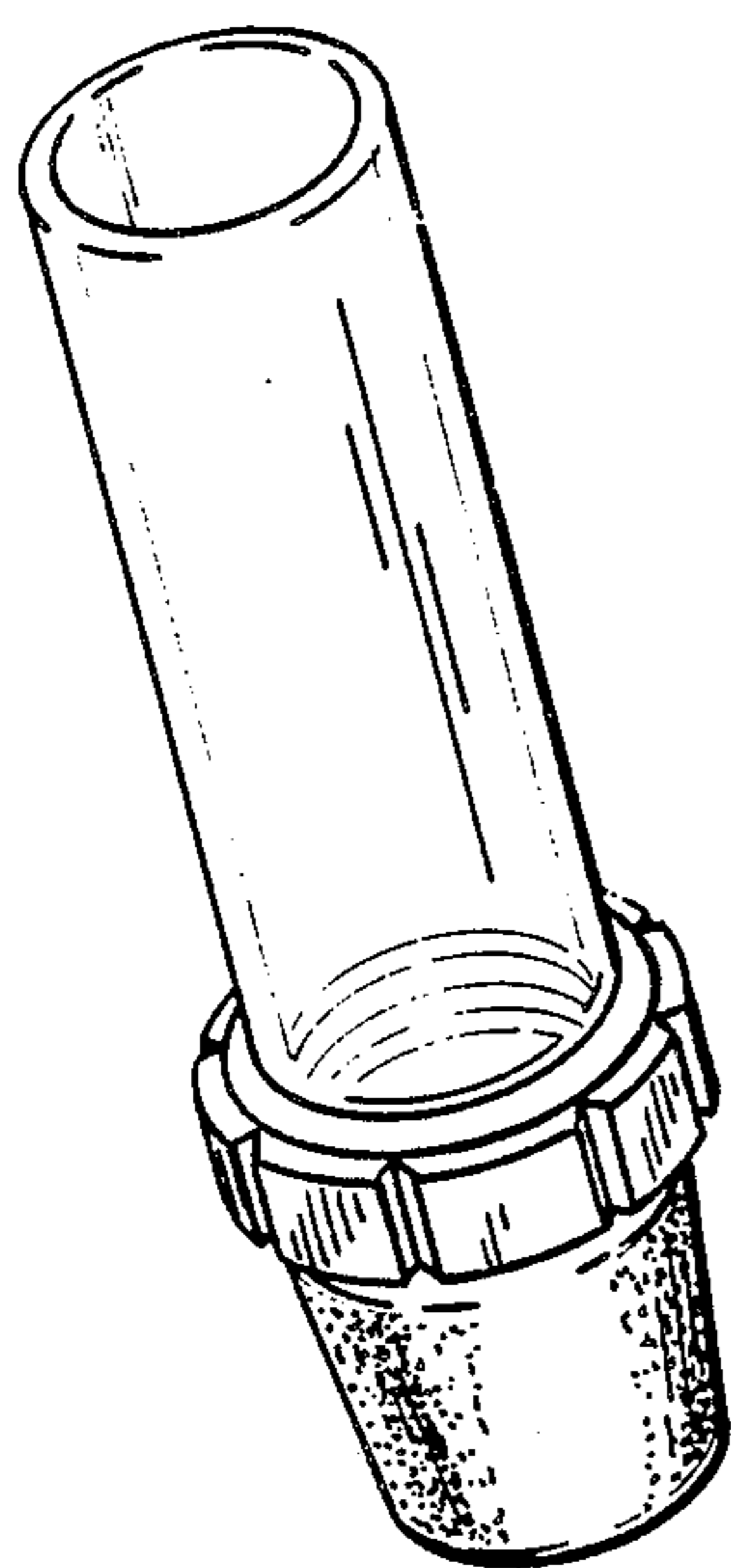


FIG. 1

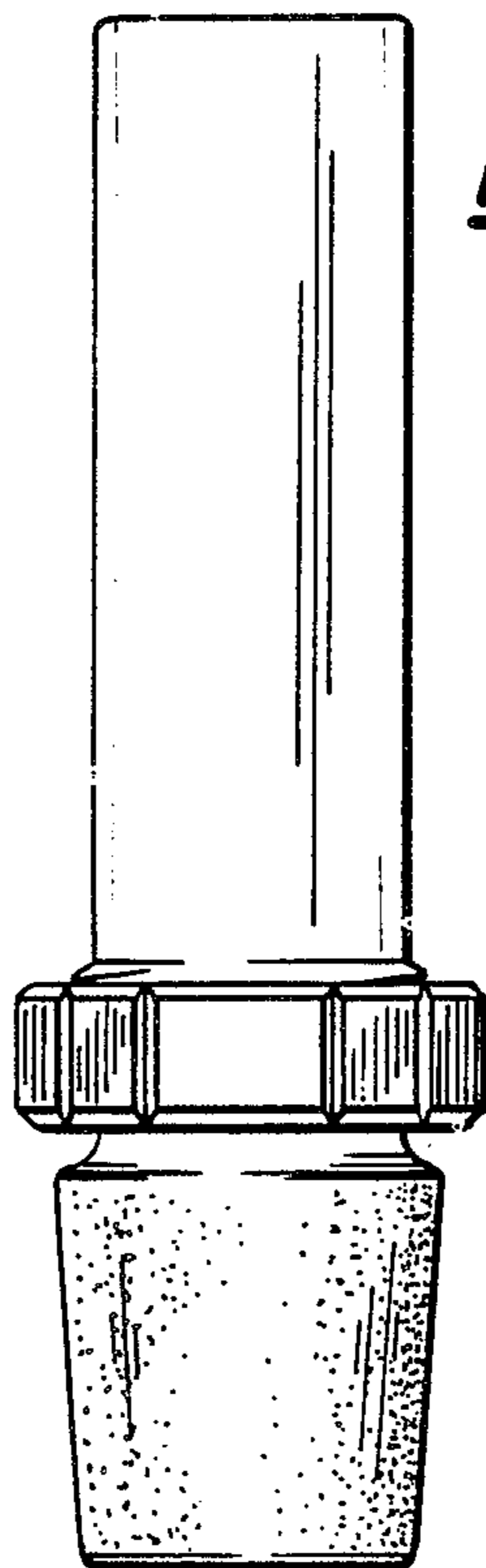


FIG. 2

FIG. 3

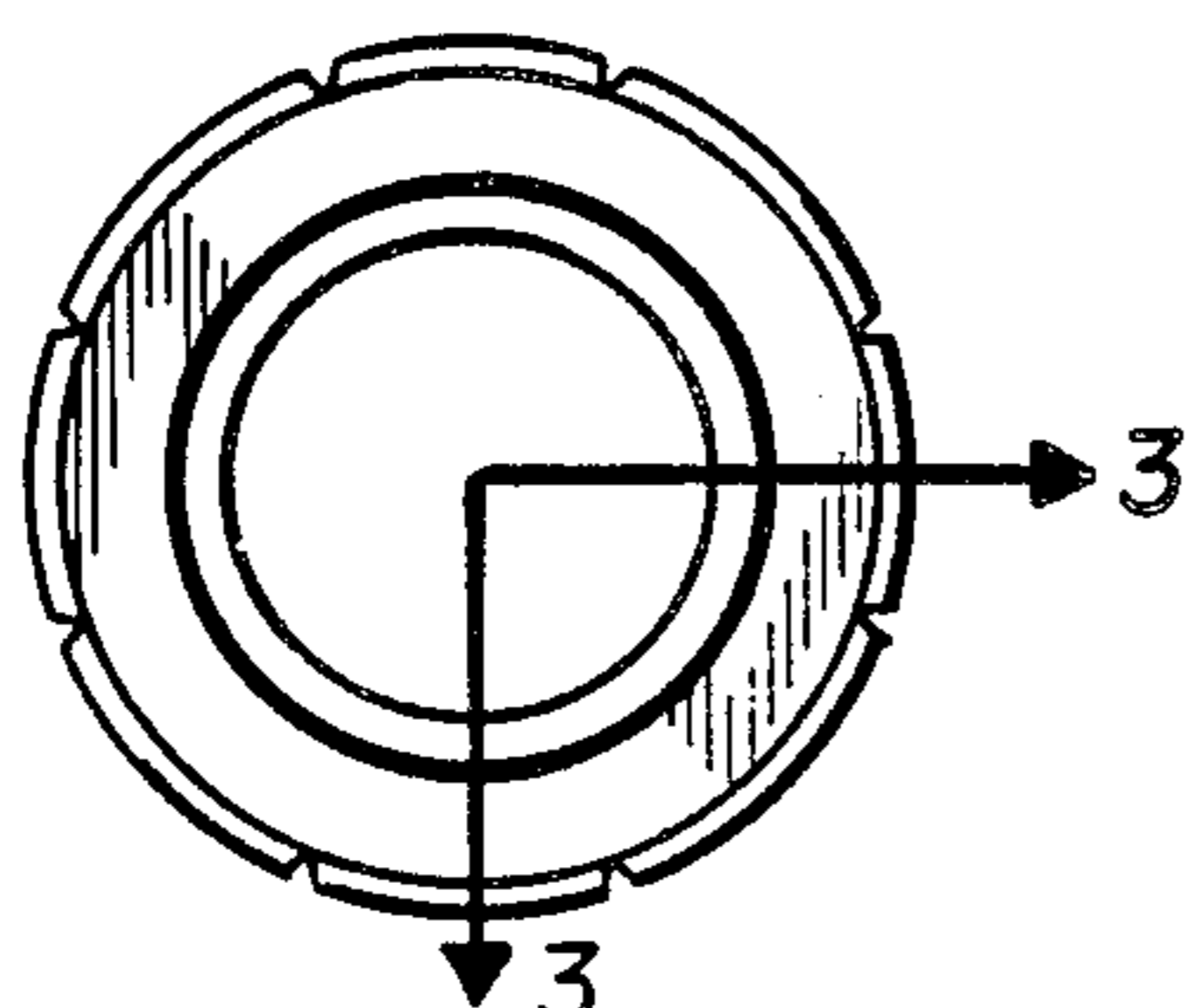
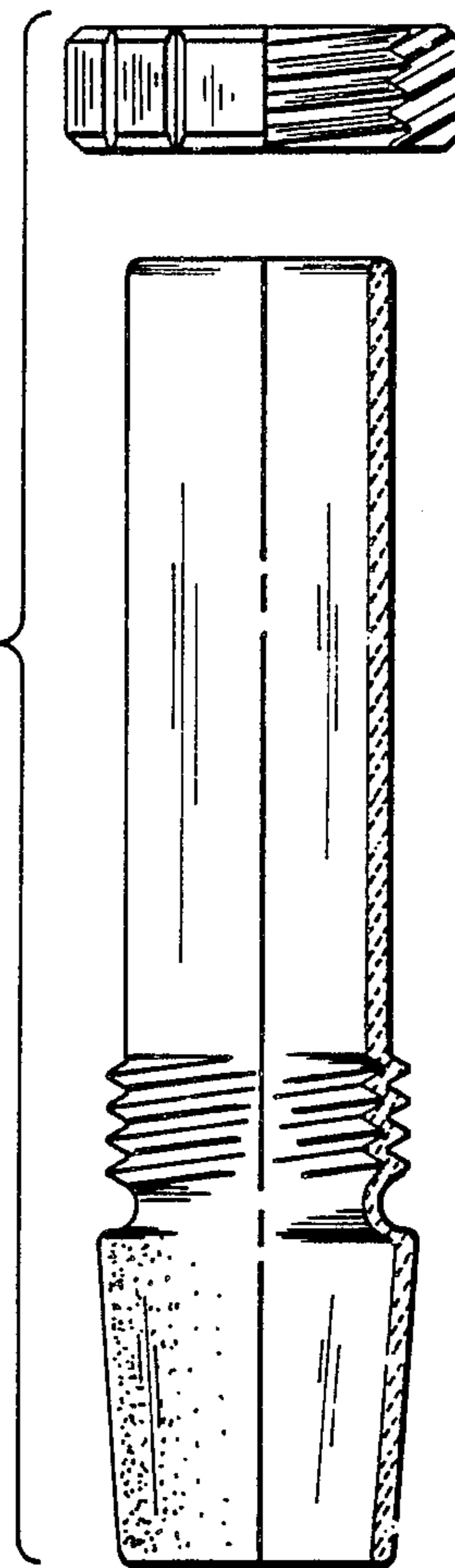


FIG. 4

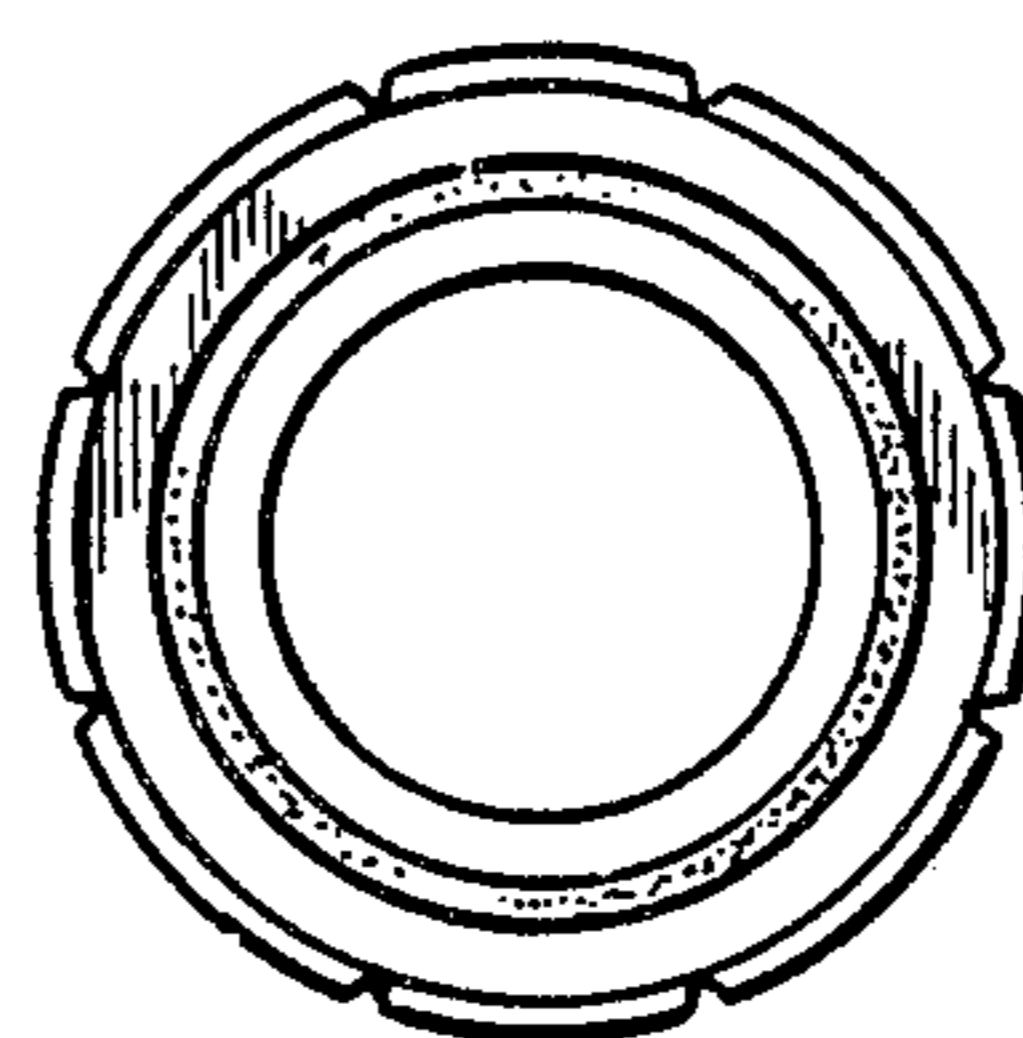


FIG. 5